



2020
Tempo, Tempo Connect
and Tempo 2+2
Illustrated Parts List



Gasoline Vehicle with Kohler ECH440 Engine
Electric Vehicle with ERIC Charging System

Manual Number 86753090033
Edition Code A

USING THE ILLUSTRATED PARTS LIST

⚠ WARNING

- **This manual is to be used only for identification and ordering of service parts. Be sure to read and use the maintenance and service manual before attempting any vehicle repairs.**

The manual is divided into several sections. Note that there are two or three flags on the outside edge of each page. The first flag contains the section number of which that page is a part. The other flag (or flags) contains the letter E or G, signifying that the page pertains to electric or gasoline vehicles.

Use the Table of Contents to find the sections and pages that contain the parts and assemblies you seek. The Table of Contents lists section numbers, and under them, the individual page titles and numbers to be found in that section. The index can be used to find specific parts and assemblies. The index is divided into numerical and alphabetical listings with the page numbers in italic text.

There is a two-page spread for each individual page title in the Table of Contents. On the left-hand page is an illustration showing the parts in their relative positions; the parts are each tagged with an item number in a balloon. The right-hand page is the parts list page, and gives the page title at the top, then the item numbers (corresponding to the numbers on the illustration), part descriptions, and quantity of parts used. Some item numbers have more than one part number because several configurations of a component are represented together on one spread.

Note that a part description may be indented. This indentation corresponds to a parts assembly level indicated by the numbers 1, 2, 3, and 4 at the top left corner of the parts description area of the parts list page. A part that is indented to *level 2* is a component of the *level 1* part (assembly) that it is listed under. A *level 3* part is a component of the *level 2* part that it is listed under, and a *level 4* part is a component of the *level 3* part preceding it. In each case, the part quantity given for a level 2, 3, or 4 part is *the quantity used per next higher level assembly of which it is a component*. A part that is not indented is a *level 1* part. This means that the quantity given is the quantity used per the portion of the vehicle illustrated on that particular spread.



P. O. Box 204658
Augusta, Georgia 30917-4658 USA
Telephone 706-863-3000
Service Parts Fax 706-855-7413
www.clubcar.com

HOW TO ORDER PARTS

Replacement parts and accessories can be obtained from our network of authorized dealers and distributors. You can obtain the name and phone number of your closest authorized Club Car dealer or distributor by visiting our web site at www.clubcardealer.com, by calling our toll-free Service Parts and Technical Assistance hotline at (800) 872-2246 or (706) 863-3000, extension 3887, or by scanning this Quick Response (QR) code to be taken to the Club Car dealer locator. **Refer to Figure 1.** Download a QR code reader such as RedLaser or Barcode Scanner to your cell phone or tablet.



Figure 1 Dealer Locator QR Code

CUSTOMER SATISFACTION SURVEY

Let your voice be heard!

Please take time to participate in the Technical Publications satisfaction survey. Obtaining feedback from our customers is important to the department's continuous improvement process. The online survey takes less than five minutes and responses will help the department to examine current performance as well as identify areas for future improvement.

Our top priority is to provide timely, accurate, and user friendly manuals.

The online satisfaction survey can be found at: <http://bit.ly/1w9uFMh>



Figure 2 Survey QR Code

NOTE: *This illustrated parts list represents the most current information at the time of publication. Club Car, LLC is continually working to further improve its vehicles and other products. These improvements may affect the parts used to service the vehicle. Any modification and/or significant change in specifications will be forwarded to all Club Car distributors/dealers and will, when applicable, appear in future editions of this illustrated parts list.*

Club Car, LLC reserves the right to change specifications and designs at any time without notice and without the obligation of making changes to units previously sold.

Copyright © 2019 Club Car, LLC
Club Car, Tempo, Tempo Connect, Tempo 2+2, and Surlyn
are registered trademarks of Club Car, LLC
This manual effective July 1, 2019.

2020 Tempo, Tempo Connect and Tempo 2+2 Illustrated Parts List

CONTENTS

SECTION 1 – BODY AND TRIM

Frame	1-3
Front Bumper	1-5
Front Body	1-7
Underbody Covers (Vehicle Without Canopy)	1-9
Dash	1-11
Floor Mat, Retainers, and Front Underbody	1-13
Kick Plate – Gasoline Vehicle	1-15
Kick Plate – Electric Vehicle	1-17
Seat Bottom with Hip Restraints	1-19
Seat Back, Backrest, and Structural Accessory Module (SAM)	1-21
Rear Body	1-23
Club and Ball Cleaner Kit	1-25
Sand Bottle Kits With Handles	1-27
Sand Bottle Kits	1-29
Sand Bucket Kits	1-31
Windshield – Hinged	1-33
Canopies	1-35
Canopy Struts – Topped	1-37
Visage Canopy Struts and Console	1-39
Four-Passenger Monsoon Canopy	1-41
Four-Passenger Monsoon Canopy Struts	1-43
Rear Seat – Fixed	1-45
Rear Fold-Down Seat	1-47
Rear Footdeck Assembly	1-49
Four Passenger Conversion Kit, Monsoon – Beige	1-51
Four Passenger Conversion Kit, Monsoon – White	1-53
Four Passenger Conversion Kit, Monsoon – Gray	1-55
5-Panel Mirror	1-57

SECTION 2 – WHEELS AND TIRES

Wheels and Tires	2-3
------------------------	-----

SECTION 3 – DECALS

Decals – Page 1 of 2	3-3
Decals – Page 2 of 2	3-5

CONTENTS

SECTION 4 – LIGHTS, CONTROLS AND INDICATORS

Lighting System Components	4-3
Headlights	4-5
Horn	4-7
Instrument Panel – Electric Vehicle with ERIC Charger	4-9
Instrument Panel – ECH440 Gas Vehicle	4-11
DC Converter – Electric Vehicle	4-13
Voltage Limiter – Gasoline Vehicle	4-15
Wiring and Switch – Visage	4-17
Taillights	4-19

SECTION 5 – BRAKES AND PEDAL GROUP ASSEMBLIES

Rear Brakes, Self-Adjusting	5-3
Rear Brakes, Self-Adjusting – Gasoline Vehicles	5-5
Brake Cables and Equalizer Bracket	5-7
Pedal Group with Sensor – Gasoline Vehicle	5-9
Pedal Group w/o Sensor, Gasoline Vehicle	5-11
Pedal Group w/o MCOR – Electric Vehicle	5-13
Pedal Group with MCOR – Electric Vehicle	5-15

SECTION 6 – STEERING, FRONT AND REAR SUSPENSION

Steering Wheel, Comfort Grip with Clip	6-3
Steering Wheel	6-5
Steering Column	6-7
Steering Gear Assembly	6-9
Front Suspension, Upper	6-11
Front Suspension, Lower	6-13
Rear Suspension, Standard Two-Passenger	6-15
Rear Suspension, Gasoline 4-Passenger – Consumer	6-17
Rear Suspension, Four Passenger Electric, Optional Two or Four Passenger HD	6-19
Panhard Rod	6-21

SECTION 7 – ELECTRICAL SYSTEM – GASOLINE EFI

Accelerator Pedal w/Sensor and Stop Module	7-3
Wiring Harnesses and Fuses	7-5
Starter/Generator, Key and Pedal Start – EFI	7-7
Starter/Generator Mounting – ECH440	7-9
Battery, Solenoid, Voltage Regulator, Relay – EFI	7-11

CONTENTS

Maintenance/Operate Switch	7-13
USB Port Kit for Gas Vehicles	7-15
Forward/Reverse Shifter Switches – EFI	7-17

SECTION 8 – ENGINE (KOHLER ECH440)

Tune-Up Parts	8-3
Engine and Engine Mounting	8-5
Engine Pan and Snubber Mounting	8-7
Snubber Housing and Ground Wire	8-9
Blower Housing and Heat Shield – ECH440	8-11
Ignition Components and Flywheel – ECH440	8-13
Cylinder Head and Valve – ECH440	8-15
Crankcase and Piston – ECH440	8-17
Oil Sensor and Lubrication – ECH440	8-19
Crankshaft – ECH440	8-21

SECTION 9 – FUEL SYSTEM – EFI

Fuel Tanks	9-3
Fuel Pump and Fuel Filter Kits	9-5
Carbon Canister – EFI	9-7
Throttle Body and Mounting	9-9
Governor Bracket and Cover – EFI	9-11
Governor and Accelerator Cables – EFI	9-13
Air Intake Elbow – EFI	9-15
Air Filter System and Intake Hose – EFI	9-17

SECTION 10 – EXHAUST SYSTEMS – ECH440

Exhaust Systems	10-3
-----------------------	------

SECTION 11 – DRIVE BELT AND CLUTCHES – EFI GASOLINE VEHICLES

Drive Belts – EFI	11-3
Drive Clutch – Key-Start Vehicles	11-5
Drive Clutch – Pedal-Start Vehicles	11-7
Driven Clutch – Key Start and Pedal Start	11-9

SECTION 12 – TRANSAXLE, FUJI ED65

Forward/Reverse Shifter Assembly – EFI	12-3
Shifter Cable	12-5

CONTENTS

Shift Lever and Bracket – Pedal-Start Engines	12-7
Governor Arm and Brackets	12-9
Transaxle (ED65), Open – Page 1 of 3	12-11
Transaxle (ED65), Limited Slip and Open – Page 2 of 3	12-13
Transaxle (ED65), Open – Page 3 of 3	12-15
Hub, Rear	12-17
Differential Guard, ED65 – Gasoline Vehicle	12-19

SECTION 13 – ELECTRICAL SYSTEM – EXCEL WITH HIGH FREQUENCY CHARGERS

Motor Controller Output Regulator (MCOR)	13-3
Wiring and Fuses	13-5
Forward/Reverse Switch and Tow/Run Switch	13-7
Batteries and Battery Bucket, PD+ 8-Volt	13-9
Batteries and Battery Bucket, PD+ 8-Volt, CE	13-11
Single Point Watering System, 8V	13-13
Hand Pump and Deionizer (Battery-Powered Quality Light)	13-15
Controller, Solenoid and Wiring	13-17
USB Port Kit for Electric Vehicles	13-19
Ferrite Beads, CE	13-21

SECTION 14 – ELECTRIC MOTOR

Motor (Model EJ8-4001A) – Electric Vehicle	14-3
--	------

SECTION 15 – TRANSAXLE – ELECTRIC VEHICLES

Transaxle – Electric Vehicles	15-3
Differential Guard – Electric Vehicles	15-5

SECTION 16 – BATTERY CHARGERS – HIGH-FREQUENCY

JCI Battery Charger, High-Frequency – U.S./Canada	16-3
Trojan Battery Charger, High-Frequency – U.S./Canada	16-5
Battery Charger, High-Freq., 2.74 m DC Cord – Global	16-7
Battery Charger, High-Freq., 3.66 m DC Cord – Global	16-9
Battery Charger, High-Freq., 6.1 m DC Cord – Global	16-11
Cords – Battery Charger, High-Frequency	16-13
JCI Battery Charger, High-Frequency – Onboard – Fixed Rear Seat	16-15
Trojan Battery Charger, High-Frequency – Onboard – Fixed Rear Seat	16-17
JCI Battery Charger, High-Frequency – Onboard (Fold-Down Rear Facing Seat)	16-19
Trojan Battery Charger, High-Frequency – Onboard (Fold-Down Rear Facing Seat)	16-21

CONTENTS

SECTION 17 – MAINTENANCE AND SERVICE TOOLS

Maintenance and Service Tools	17-3
Maintenance and Service Tools, Continued	17-5
Maintenance and Service Tools, Continued	17-7

SECTION i – INDEX

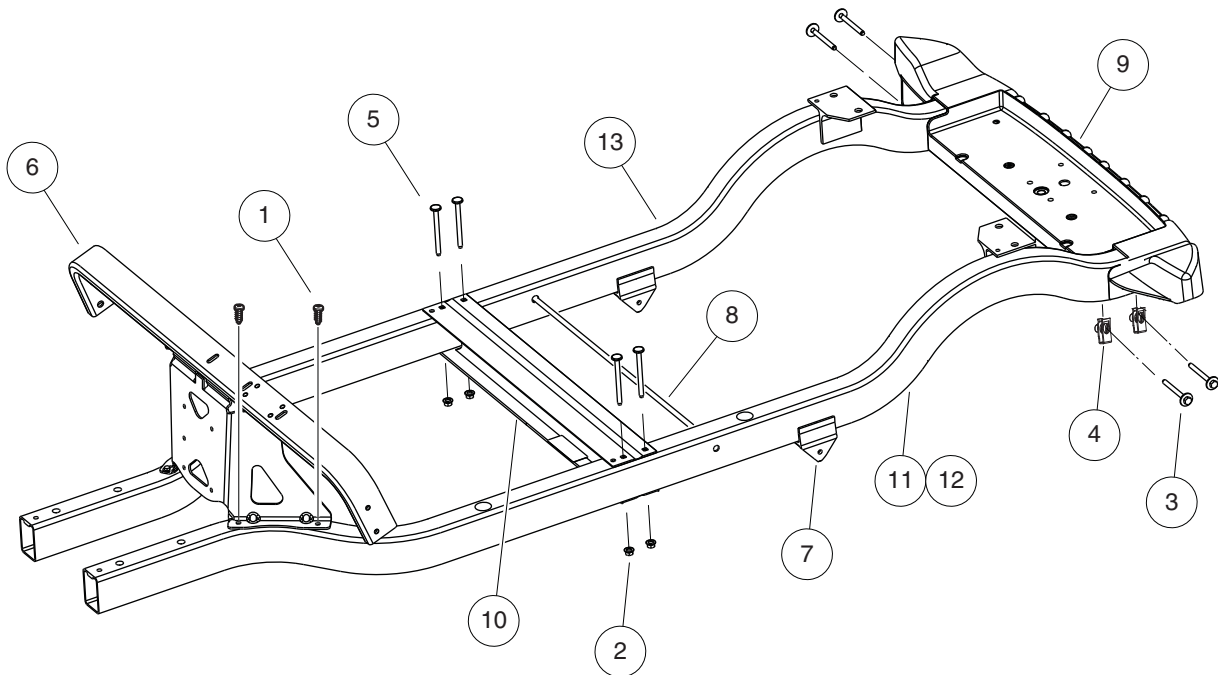
BODY AND TRIM

1

G

E

1
G
E

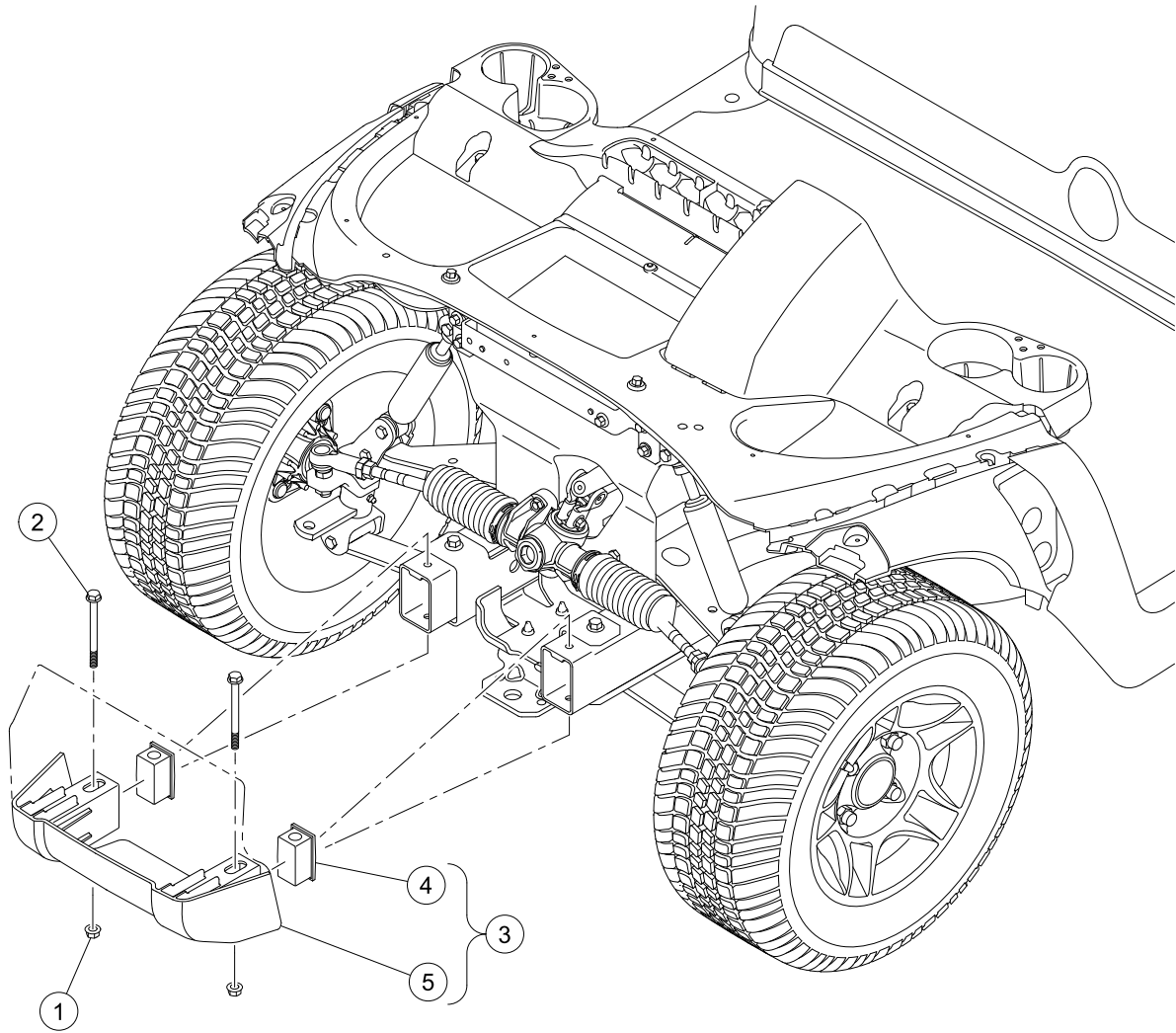


000436-010

FRAME

ITEM	PART NO.	DESCRIPTION	QTY
		1 2 3 4	
1	102292101	Screw-5/16 X 1.5 Tek	4
2	102298401	Nut,m8,all Metal Lock	4
3	102298580	M8-1.25 X 80 Sems	4
4	102298601	J-clip - M8 X 1.25	4
5	102298995	Bolt, Wafer Head, M8-1.25x95	4
6	102505701	Assembly, Dash Support	1
7	102507801	Hanger, Spring	2
8	103638901	Rod, .5 Od X 26.26	1
9	103926603	Rear Cross Member, Csmr, Sp	1
10	103975901	I Beam, Cross Car	1
11	103990501	Weldment Frame, Driver Side	1
12	103990502	Weldment, Frame	1
13	103990601	Weldment, Frame, Passenger-side	1
<p>Note: Item 8 is only applicable to electric vehicles. Item 11 is applicable to two-passenger gas and electric vehicles. Item 12 is only applicable to four-passenger vehicles. Item 13 is applicable to all vehicles.</p>			

1
G
E

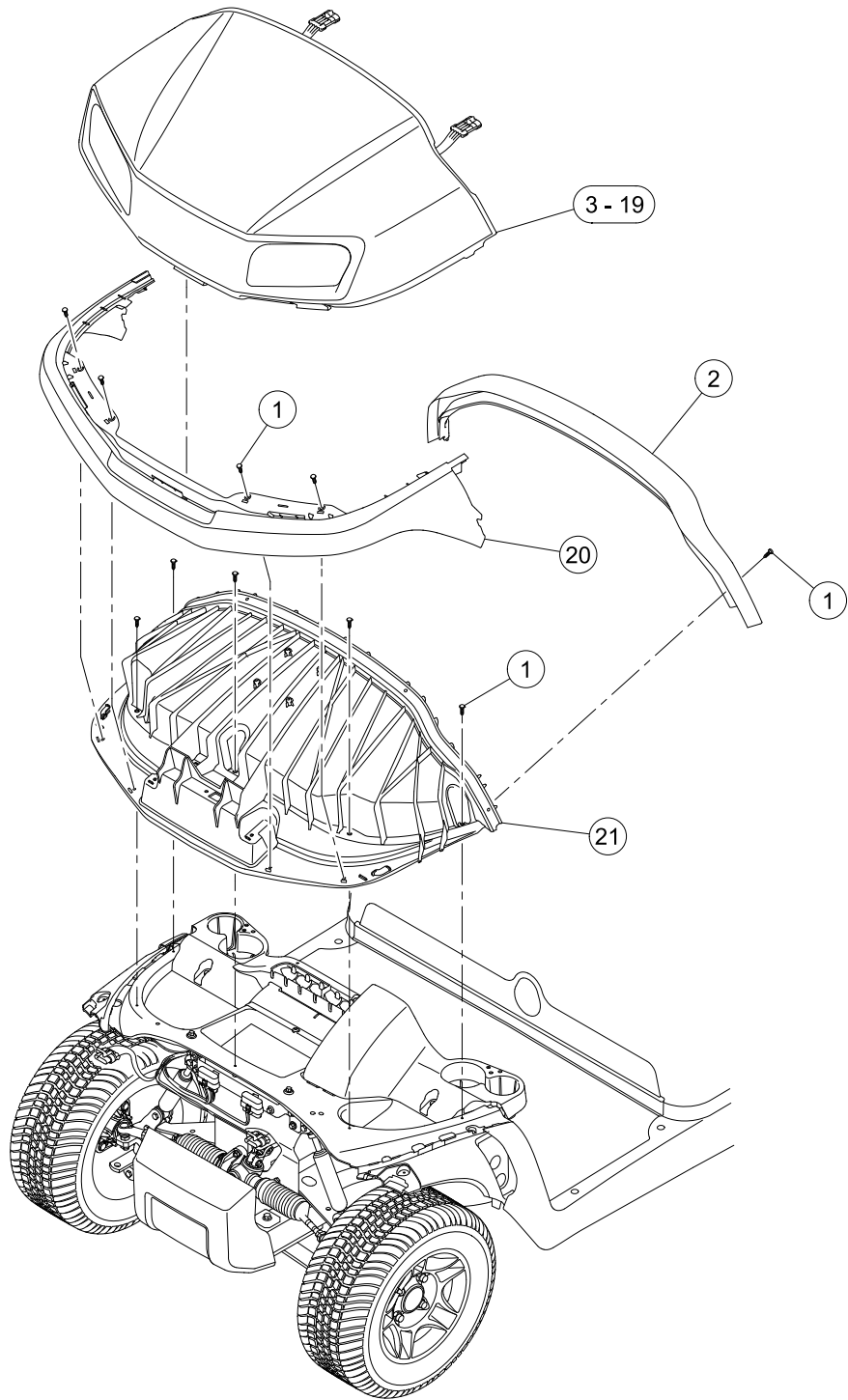


G-140199-00002

FRONT BUMPER

ITEM	PART NO.	DESCRIPTION	QTY
		1 2 3 4	
1	102298401	Nut,m8,all Metal Lock	2
2	102534201	Bolt - Fl Hd, M8 X 95	2
3	47604926001	Asm, Bumper, Front (includes items 4 and 5)	1
4	103325001	Plug, Shock, Bumper	2
5	47589918001	Bumper, Front	1

1
G
E

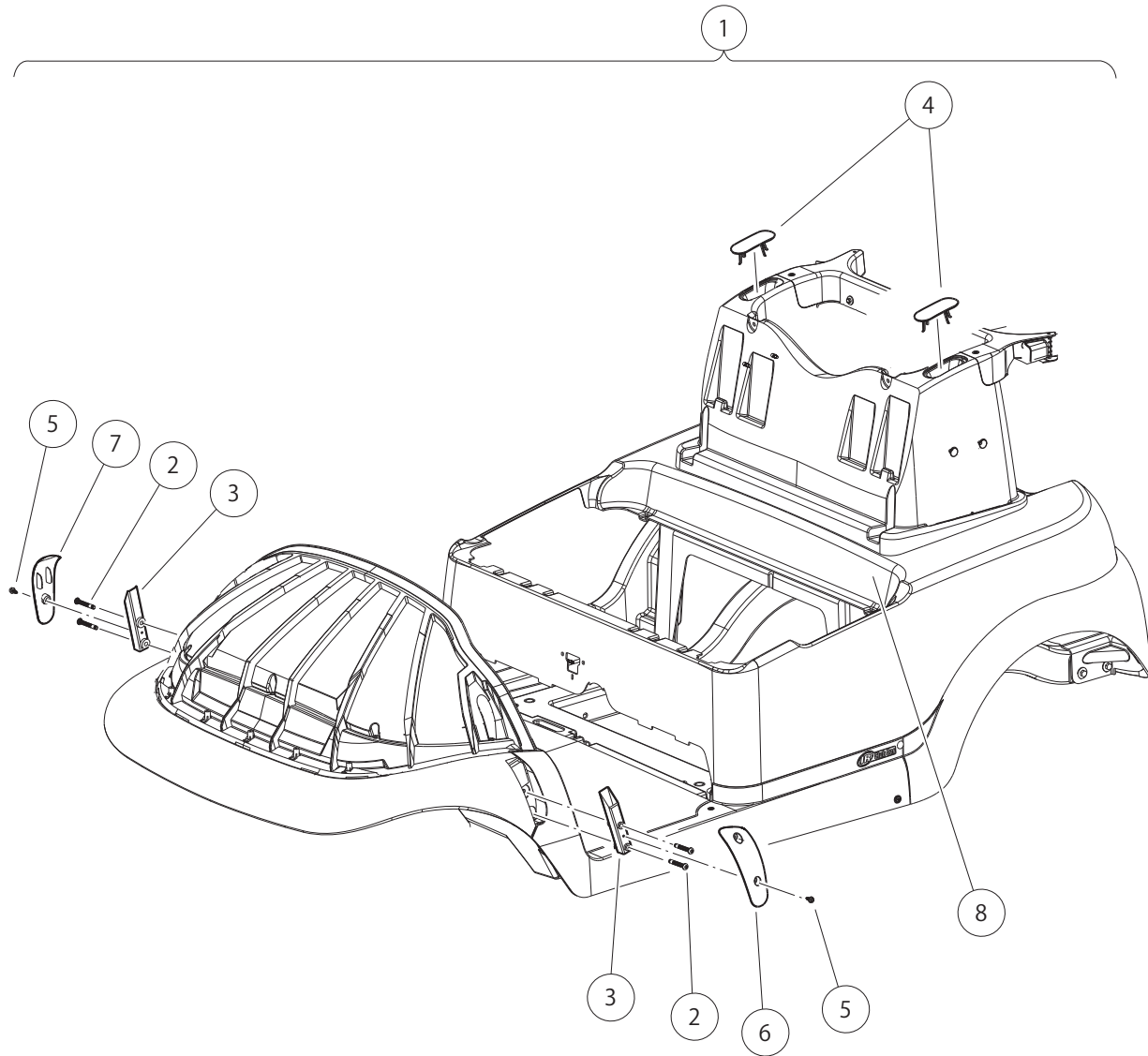


G-140199-000009

FRONT BODY

ITEM	PART NO.	DESCRIPTION	QTY
		1 2 3 4	
1	102296020	Screw, Torx Pan Hd Pt, M6 X 20	13
2	102502501	Brow Cap	1
3	47589916201	Pnl, Bty, Ft, White, Sp	1
4	47589916202	Pnl, Bty, Ft, Beige, Sp	1
5	47589916203	Pnl, Bty, Ft, Platinum, Sp	1
6	47589916204	Pnl, Bty, Ft, Sangria, Sp	1
7	47589916205	Pnl, Bty, Ft, Cayenne, Sp	1
8	47589916206	Pnl, Bty, Ft, Green, Sp	1
9	47589916207	Pnl, Bty, Ft, Sapphire, Sp	1
10	47589916208	Pnl, Bty, Ft, Black, Sp	1
11	47589916209	Pnl, Bty, Ft, Mocha, Sp	1
12	47589916210	Pnl, Bty, Ft, Cashmere, Sp	1
13	47589916301	Pnl, Bty, Ft, Mt Glacier, Sp	1
14	47589916302	Pnl, Bty, Ft, Mt Platinum, Sp	1
15	47589916303	Pnl, Bty, Ft, Mt Cndy Apl, Sp	1
16	47589916304	Pnl, Bty, Ft, Mt Green, Sp	1
17	47589916305	Pnl, Bty, Ft, Mt Sapphire, Sp	1
18	47589916306	Pnl, Bty, Ft, Mt Black, Sp	1
19	47589916307	Pnl, Bty, Ft, Mt Mocha, Sp	1
20	47589917001	Fascia, Front	1
21	47593000001	Brow, Dual Headlight	1

1
G
E

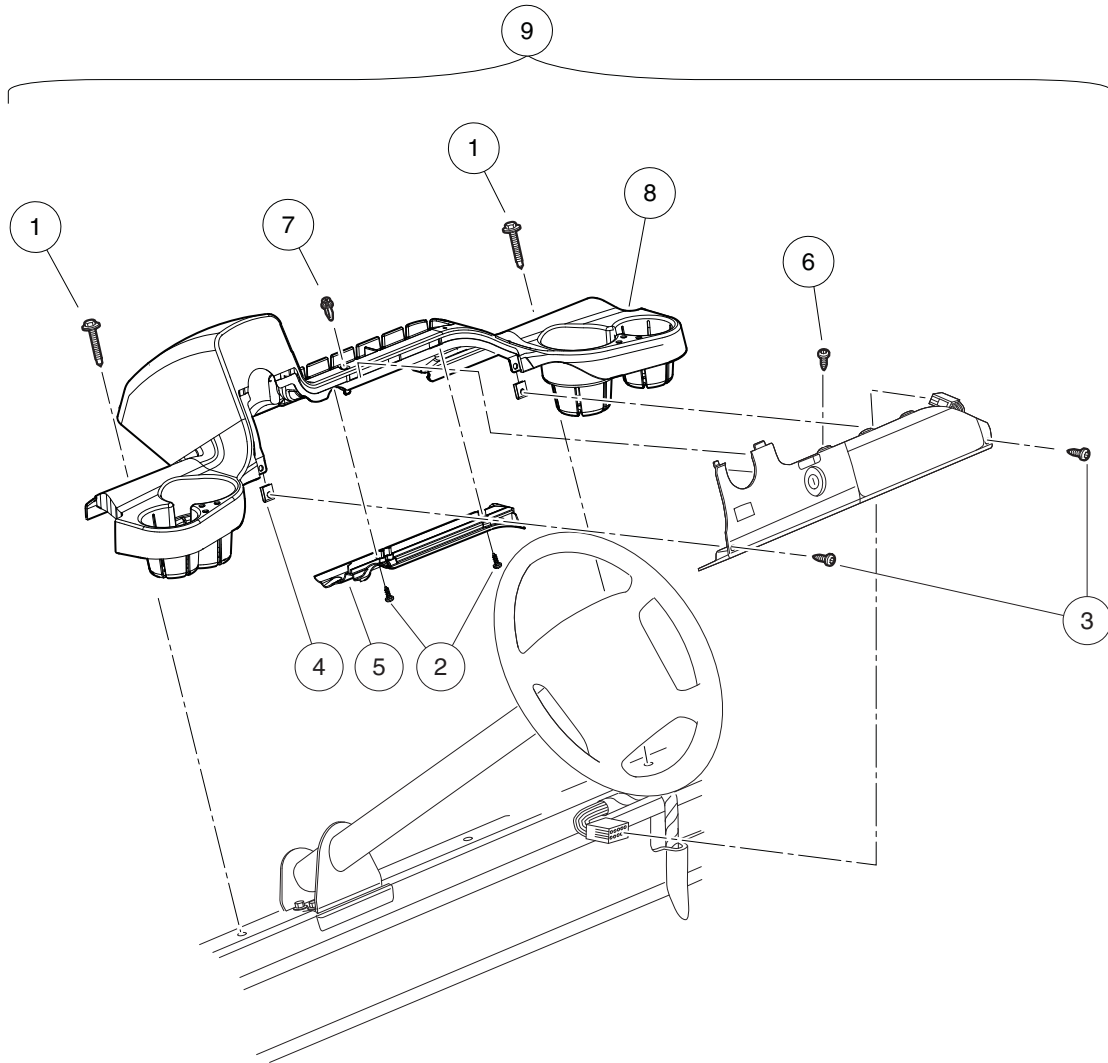


000730-006

UNDERBODY COVERS (VEHICLE WITHOUT CANOPY)

ITEM	PART NO.	DESCRIPTION	QTY
		1 2 3 4	
1	102543903	Kit, Underbody Cover (includes items 2 through 7)	1
2	102299065	M8-1.25 X 65 Tx Bttn Hd Bolt	2
3	N/A	Support, Strut Cover	2
4	N/A	SAM Cap	2
5	102544201	Screw, M6 Hex	4
6	47589922001	Cover, Strut, Lh, Non-topped	1
7	47589922002	Cover, Strut, Rh, Non-topped	1
8	47652014001	Insulation, Rear Underbody	1

1
G
E



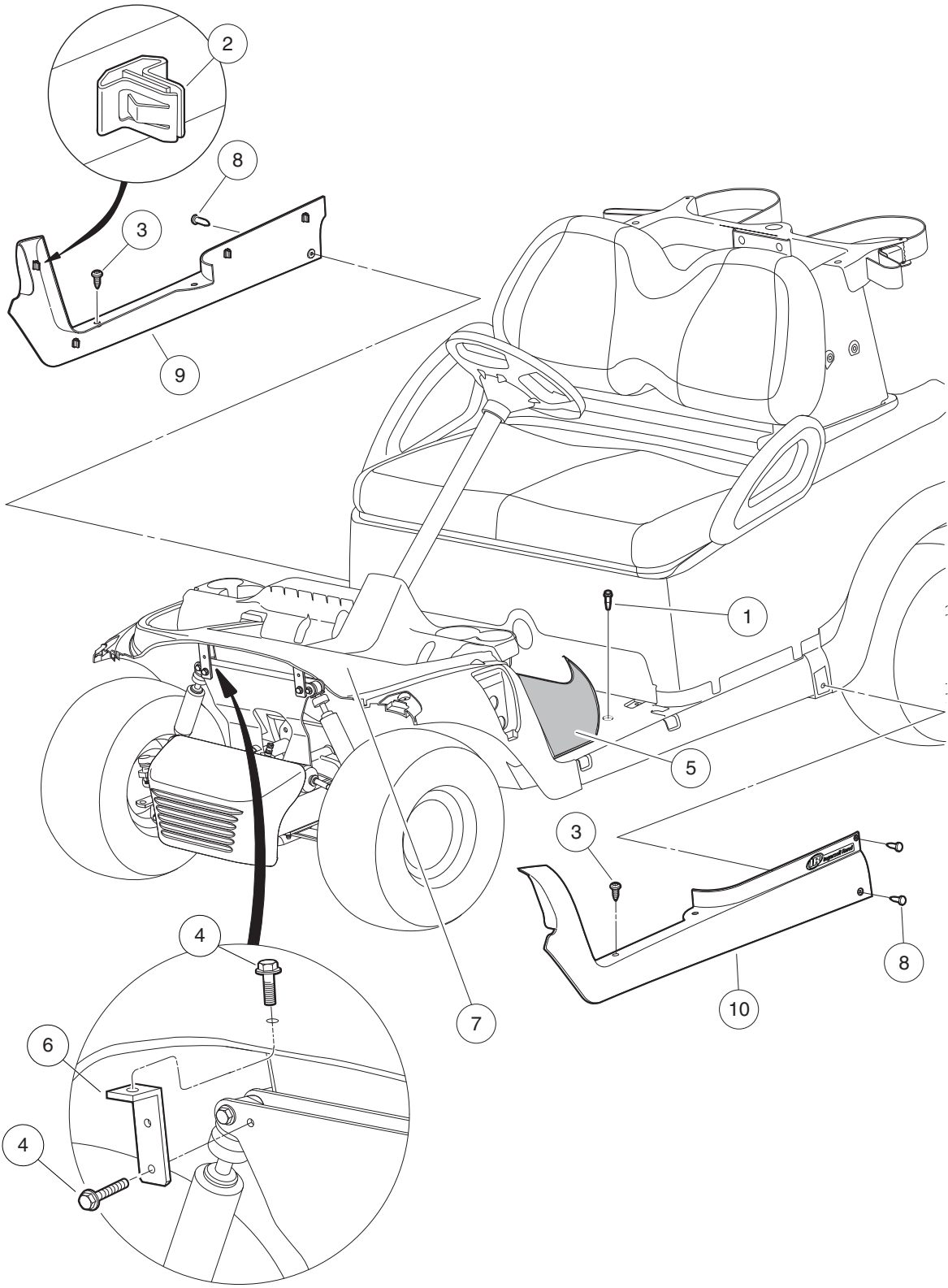
000438-005

DASH

ITEM	PART NO.	DESCRIPTION	QTY
		1 2 3 4	
1	102292356	Screw-1/4-20x56 Hwh Self Drill	2
2	N/A	Screw-torx Pan Hd Pt,m6 X 16	2
3	102296819	Screw-M6 x 19	2
4	102297001	U-nut, 1/4" Type Ab	2
5	N/A	Drain Channel - Dash	1
6	102557201	Screw, #6-20 Type Abx1.00 Pan	1
7	102915601	Plastic Rivet - Tuflock	1
8	N/A	Dash	1
9	103402701	Dash Assembly	1
<p>Note: Item 9 Dash Assembly is comprised of items 2, 4, 5 and 8.</p>			

1
G
E

1
G
E

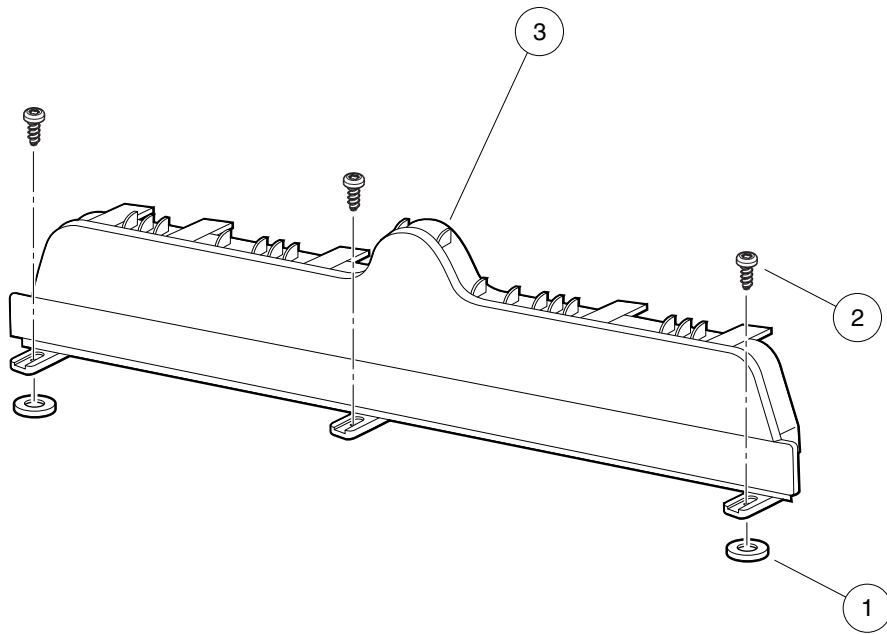


000497-007

FLOOR MAT, RETAINERS, AND FRONT UNDERBODY

ITEM	PART NO.	DESCRIPTION	QTY
		1 2 3 4	
1	102292356	Screw-1/4-20x56 Hwh Self Drill	3
2	102292701	Clip-body-trim	8
3	102298020	Screw, K80x20, Torx Pn Hd Pt	4
4	102298716	M8-1.25x16 Taptite	4
5	102504802	Floormat	1
6	102521901	Bracket-clamshell	2
7	103635201	Underbody, Front, One Piece	1
8	105291501	Rivet, Plastic Tuflok, 8mm	4
9	105314001	Floormat Retainer, Passenger-side, Black	1
10	105314101	Floormat Retainer, Driver-side, Black	1
		Note: Item 7 is a special order item available upon request.	

1
G
E



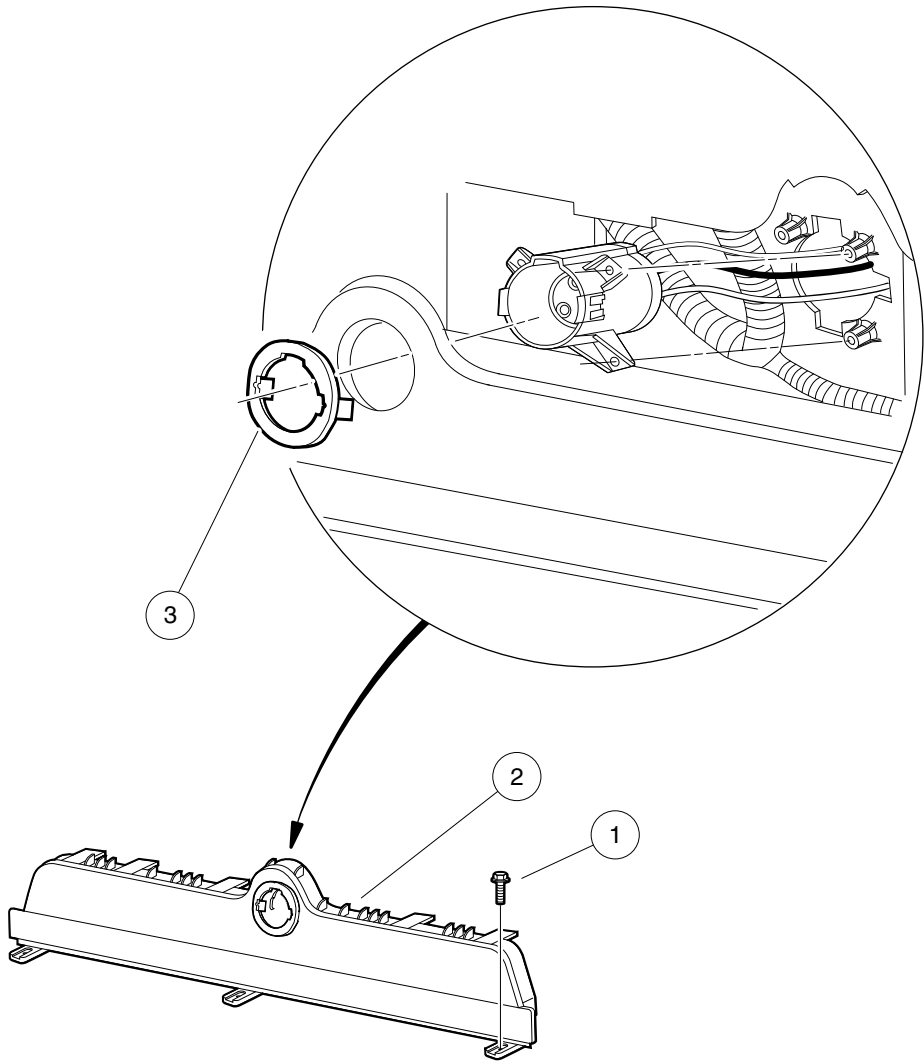
001059-001

KICK PLATE – GASOLINE VEHICLE

ITEM	PART NO.	DESCRIPTION	QTY
		1 2 3 4	
1	1012571	Washer, 5/16 Extra Thick Flat	2
2	102298020	Screw, K80x20, Torx Pn Hd Pt	3
3	105005402	Plate, Kick, Black	1



1
G
E



000500-003

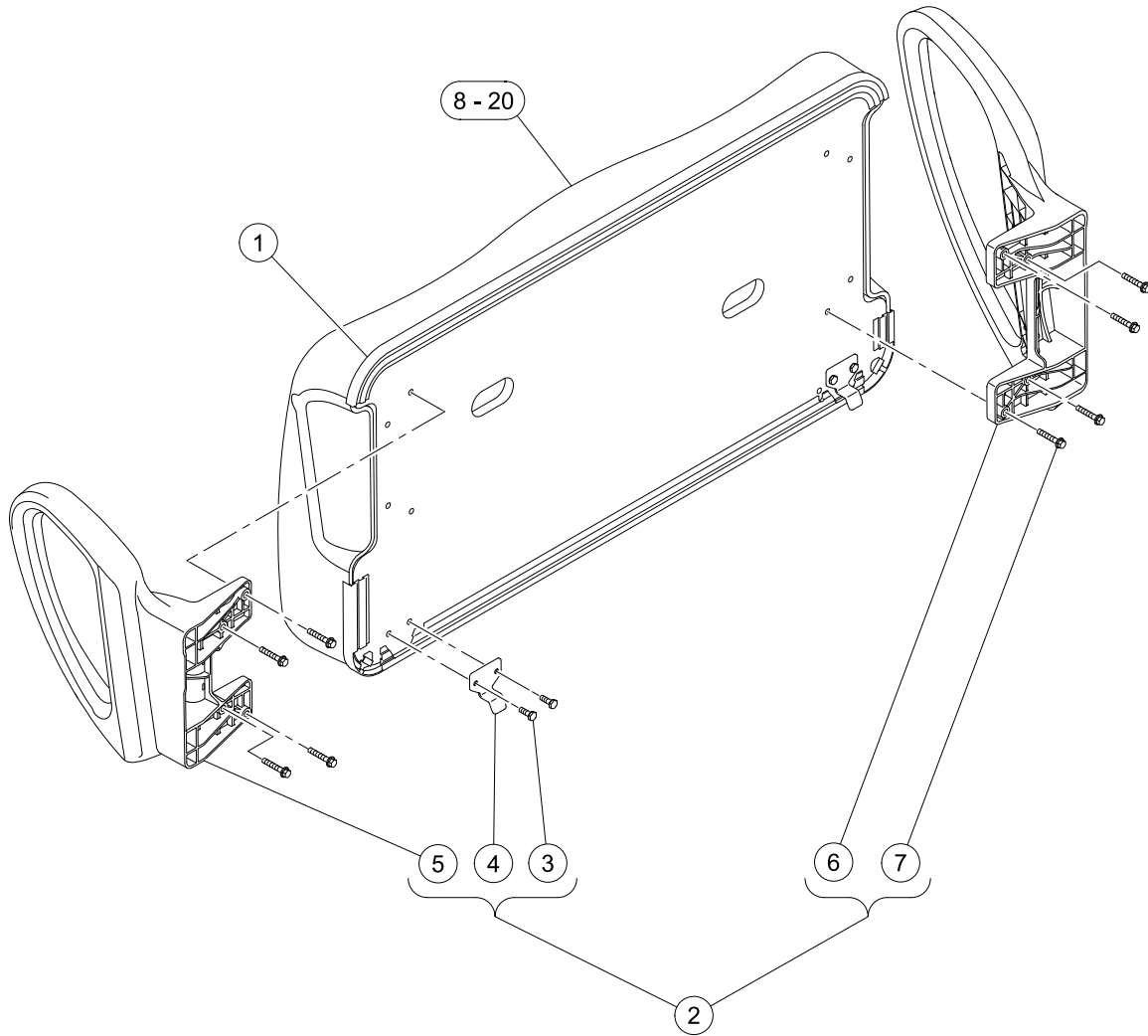
KICK PLATE – ELECTRIC VEHICLE

ITEM	PART NO.	DESCRIPTION	QTY
		1 2 3 4	
1	102298030	Screw, K80x30, Torx Pn Hd Pt	3
2	102508202	Plate - Electric Kick Blk	1
3	102516901	Socket Trim	1

1

G

E



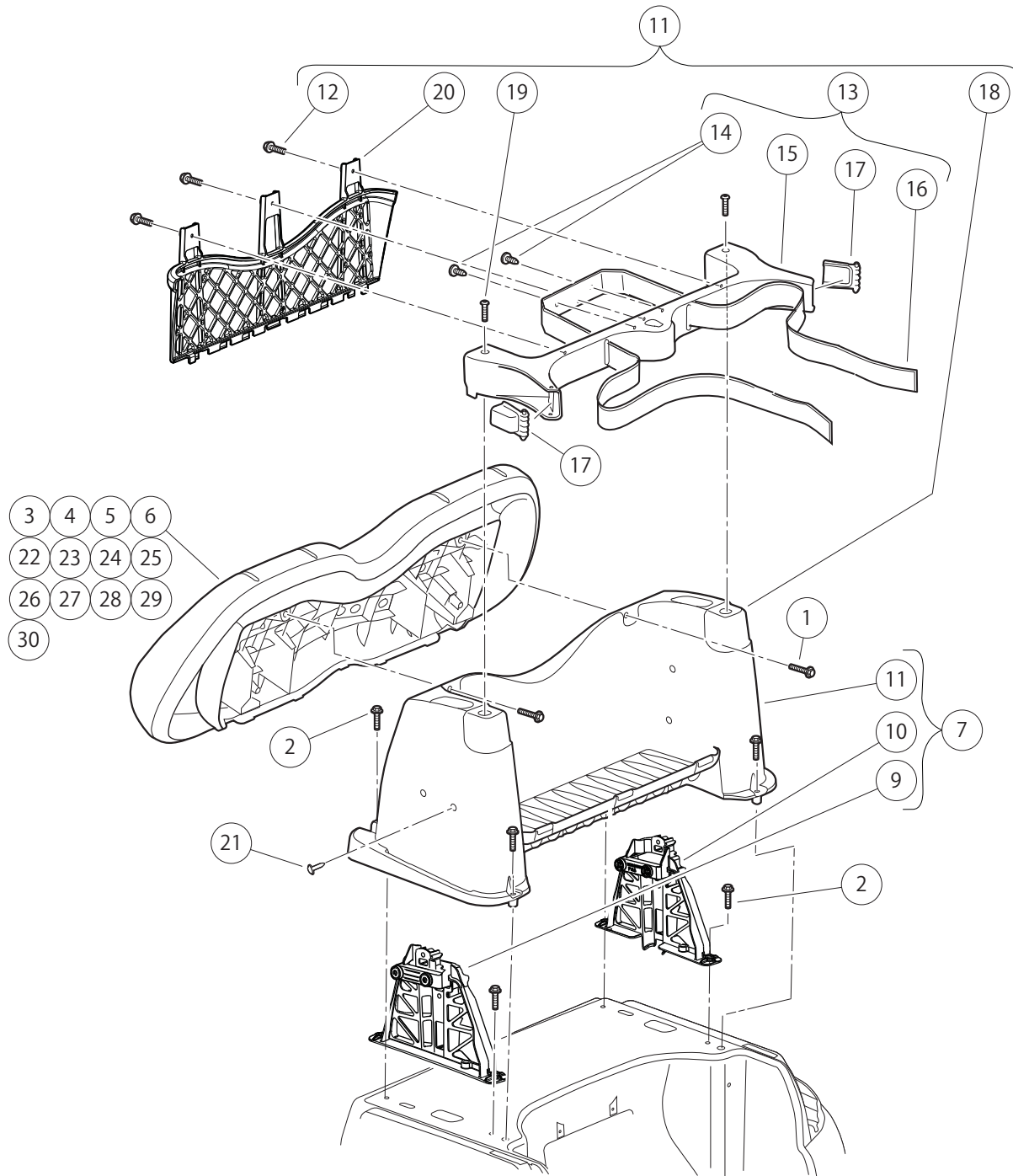
G-140699-000003

SEAT BOTTOM WITH HIP RESTRAINTS

ITEM	PART NO.	DESCRIPTION	QTY
		1 2 3 4	
1	101998501	Gasket, Seat	1
2	103833901	Kit, Seat Bottom (includes items 3 through 7)	1
3	101954301	Screw, 1/4-20 X 0.75 Hex-Head Cap	4
4	103832901	Hinge, Seat Bottom	2
5	103833601	Hip Restraint, Drv	1
6	103833701	Hip Restraint, Pas	1
7	103833801	1/4-20 X 1.5 Hex Flg Patch	8
8	104023421	Seat Bottom Asm, Beige, Service Replacement	1
9	104023422	Seat Bottom Asm, White, Service Replacement	1
10	104023424	Seat Bottom Asm, Gray, Service Replacement	1
11	104023425	Seat Bottom Asm, Black, Service Replacement	1
12	105223321	Seat Bottom Asm, Premium, Light Beige, Service Replacement	1
13	105223322	Seat Bottom Asm, Premium, Camello, Service Replacement	1
14	105223323	Seat Bottom Asm, Premium, Off-White, Service Replacement	1
15	105223324	Seat Bottom Asm, Premium, Camello/Lt. Beige, Service Replacement	1
16	105223325	Seat Bottom Asm, Premium, Camello/Off-White, Service Replacement	1
17	105223326	Seat Bottom Asm, Premium, Lt. Beige/Off-White, Service Replacement	1
18	105223327	Seat Bottom Asm, Premium, Black, Service Replacement	1
19	105223328	Seat Bottom Asm, Premium, Black/Gray, Service Replacement	1
20	105223329	Seat Bottom Asm, Premium, Gray, Service Replacement	1
		<p>Note: Item 1 is supplied with all seat bottom assemblies and can be procured individually. For current or additional color options, contact your local Club Car dealer or distributor.</p>	

1
G
E

1
G
E



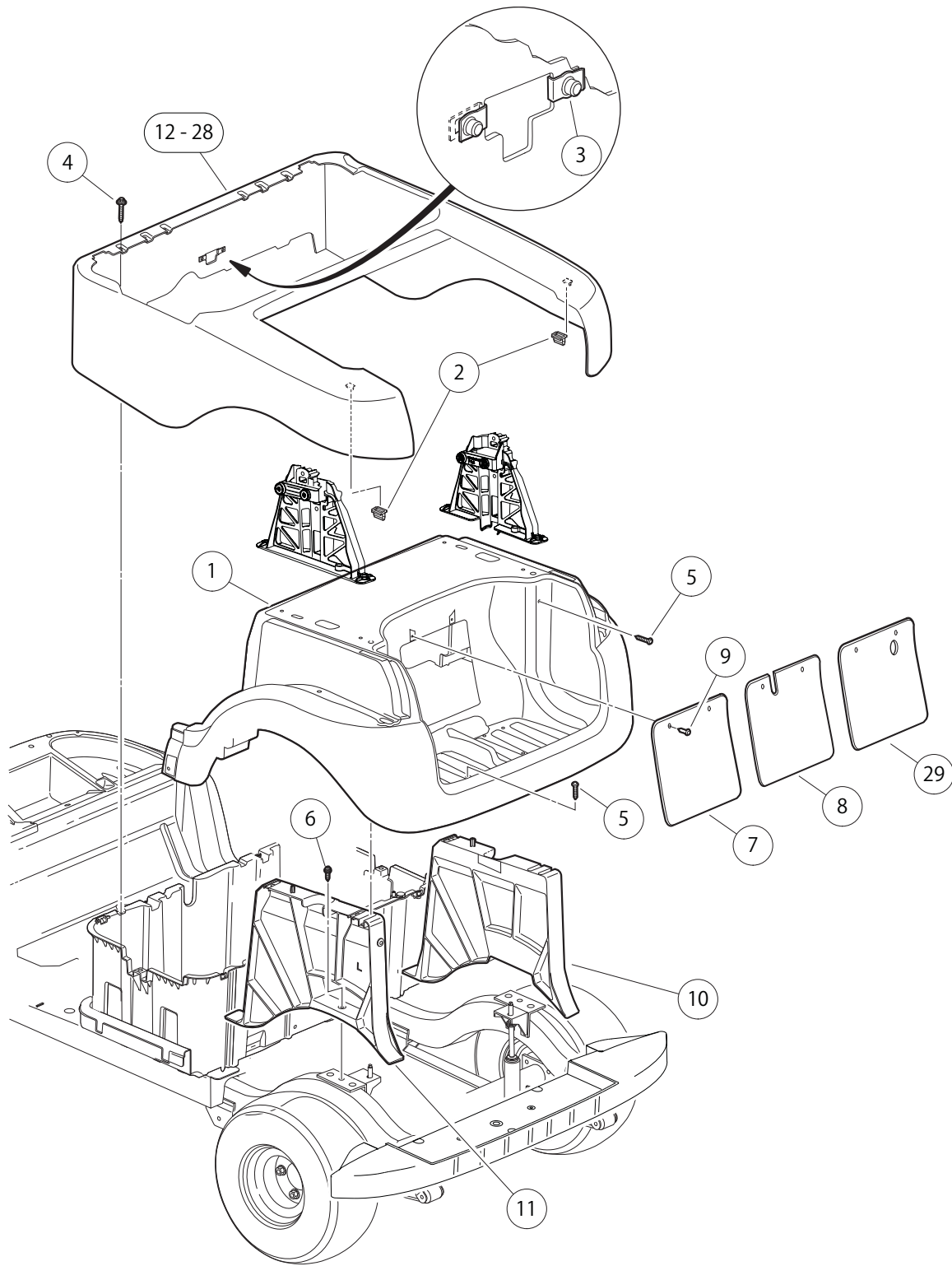
000435-013

SEAT BACK, BACKREST, AND STRUCTURAL ACCESSORY MODULE (SAM)

ITEM	PART NO.	DESCRIPTION	QTY
		1 2 3 4	
1	102296530	Screw - M6 X 1.0 X 30 Sems	2
2	102298240	Bolt, Flange Head, M8-1.25 X 40	6
3	103853121	Asm, Seat Back, Beige, Service Replacement	1
4	103853122	Asm, Seat Back, White, Service Replacement	1
5	103853124	Asm, Seat Back, Gray, Service Replacement	1
6	103853125	Asm, Seat Back, Black, Service Replacement	1
7	103952901	Kit, S.A.M. Assembly (includes items 8 through 11)	1
8	102297230	Screw, M6, Torx, Interlock Thread	4
9	103929301	Support- Canopy, Drv	1
10	103929302	Support- Canopy, Pass	1
11	N/A	Asm, S.A.M. (includes items 12 through 20)	1
12	102297230	Screw, M6, Torx, Interlock Thread	3
13	102504001	Asm, Bag Hoop (includes items 14 through 17)	1
14	1010434	Barrel - Plastic	2
15	102504201	Hoop-bag	1
16	102504301	Strap, Bag	1
17	102517001	Buckle-bag Strap	2
18	N/A	Structural Accessory Module (S.A.M.)	1
19	103327601	Screw, 5/16, Torx, Bosscrew	2
20	103699401	Panel, S.A.M., Prec	1
21	103978801	Barrel-push 6mm	4
22	105223421	Asm, Seat Back, Premium, Lt. Beige, Service Replacement	1
23	105223422	Asm, Seat Back, Premium, Camello, Service Replacement	1
24	105223423	Asm, Seat Back, Premium, Off-White, Service Replacement	1
25	105223424	Asm, Seat Back, Premium, Camello/Lt. Beige, Service Replacement	1
26	105223425	Asm, Seat Back, Premium, Camello/Off-White, Service Replacement	1
27	105223426	Asm, Seat Back, Premium, Lt. Beige/Off-White, Service Replacement	1
28	105223427	Asm, Seat Back, Premium, Black, Service Replacement	1
29	105223428	Asm, Seat Back, Premium, Black/Gray, Service Replacement	1
30	105223429	Sp,asm,prem Seat Back,gray	1
		Note: Screws (item 8) not shown. These are four new screws to replace those used to attach accessory mounting brackets to SAM (item 18). For current or additional color options, contact your local Club Car dealer or distributor.	

1
G
E

1
G
E

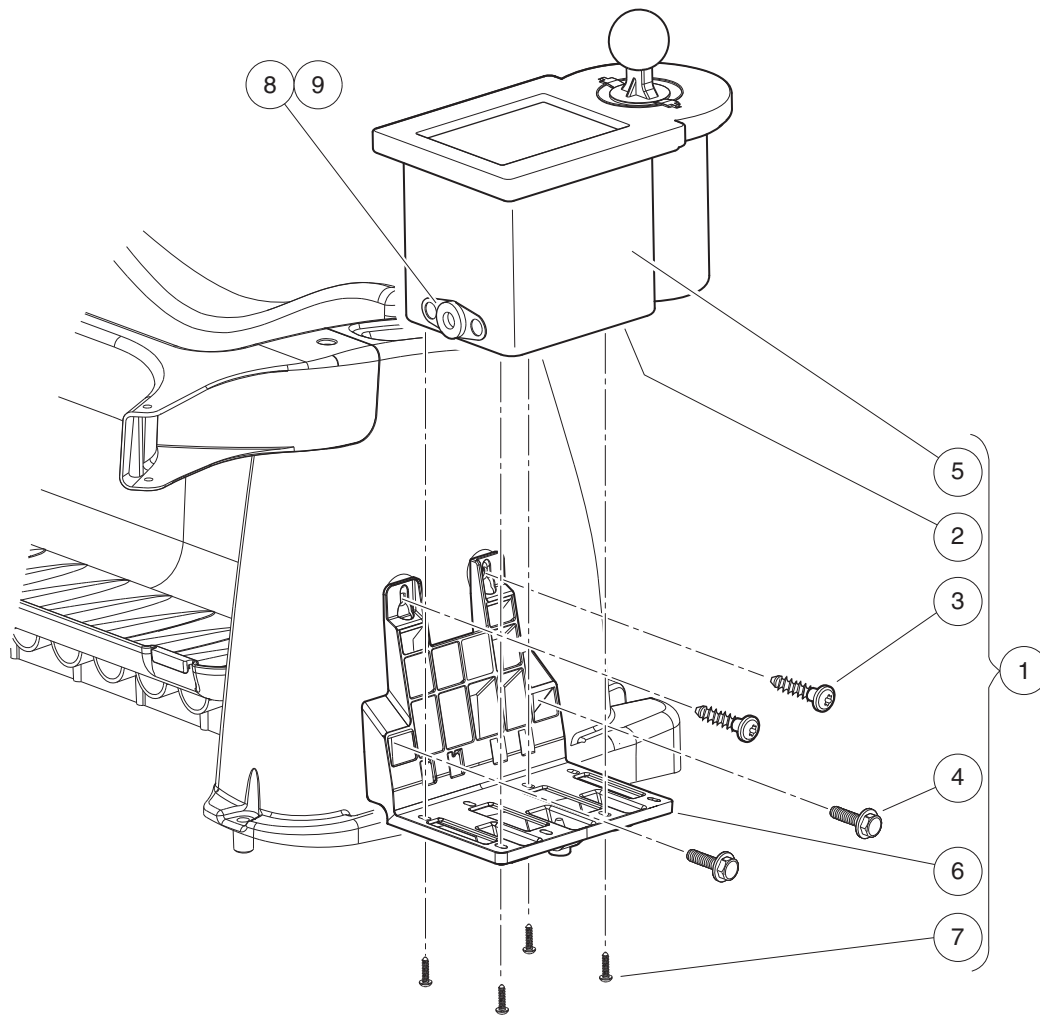


000436-020

REAR BODY

ITEM	PART NO.	DESCRIPTION	QTY
		1 2 3 4	
1	102279104	Underbody - Rear, Blk	1
2	102292701	Clip-body-trim	2
3	102296601	U-Nut, M6-1.0, Prevailing Torque	2
4	102297230	Screw, M6, Torx, Interlock Thread	4
5	102298030	Screw, K80x30, Torx Pn Hd Pt	4
6	102298720	Screw, M8-1.25x20, Taptite	2
7	102501402	Panel, Access, Black	1
8	102501403	Panel, Access, Black, with Punched Hole	1
9	102967901	Rivet, Removable, Tuflok 1/4"	2
10	103812901	Asm, Rear Underbody Support, Passenger-side	1
11	103813001	Asm, Rear Underbody Support, Driver-side	1
12	47589919201	Pnl, Bty, Rr, White, Sp	1
13	47589919202	Pnl, Bty, Rr, Beige, Sp	1
14	47589919203	Pnl, Bty, Rr, Platinum, Sp	1
15	47589919204	Pnl, Bty, Rr, Sangria, Sp	1
16	47589919205	Pnl, Bty, Rr, Cayenne, Sp	1
17	47589919206	Pnl, Bty, Rr, Green, Sp	1
18	47589919207	Pnl, Bty, Rr, Sapphire, Sp	1
19	47589919208	Pnl, Bty, Rr, Black, Sp	1
20	47589919209	Pnl, Bty, Rr, Mocha, Sp	1
21	47589919210	Pnl, Bty, Rr, Cashmere, Sp	1
22	47589919301	Pnl, Bty, Rr, Mt Glacier, Sp	1
23	47589919302	Pnl, Bty, Rr, Mt Platinum, Sp	1
24	47589919303	Pnl, Bty, Rr, Mt Cndy Apl, Sp	1
25	47589919304	Pnl, Bty, Rr, Mt Green, Sp	1
26	47589919305	Pnl, Bty, Rr, Mt Sapphire, Sp	1
27	47589919306	Pnl, Bty, Rr, Mt Black, Sp	1
28	47589919307	Pnl, Bty, Rr, Mt Mocha, Sp	1
29	SVP915201	Panel-access-lite Hole Cut Out	1
		Note: Item 7 is for use on vehicles without an onboard charger. Item 8 and 32 are for use on vehicles with optional onboard chargers.	

1
G
E



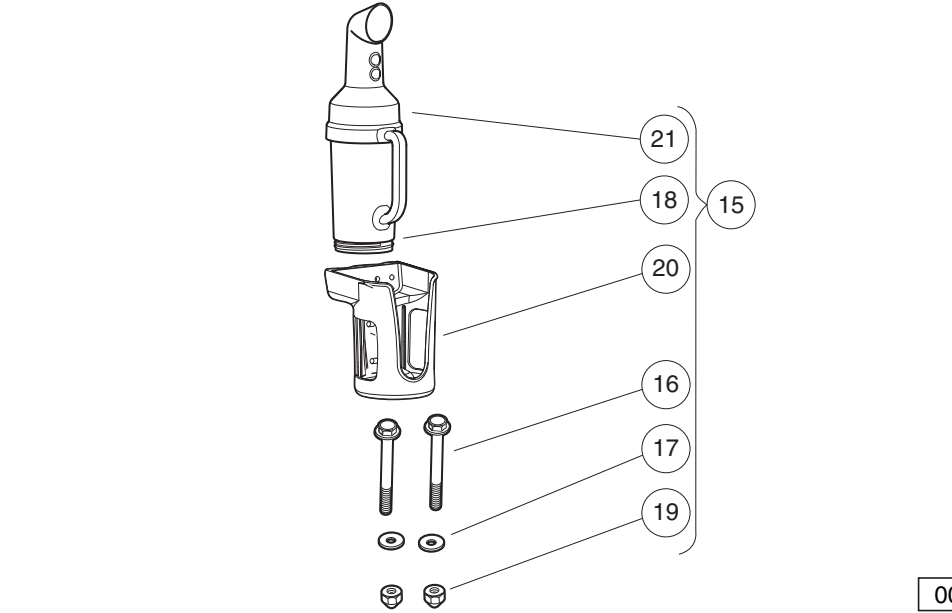
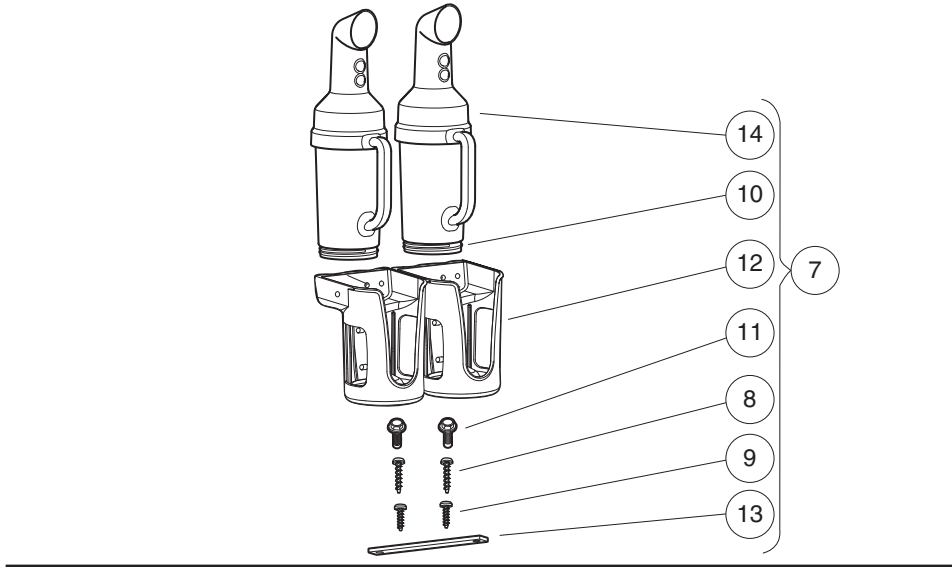
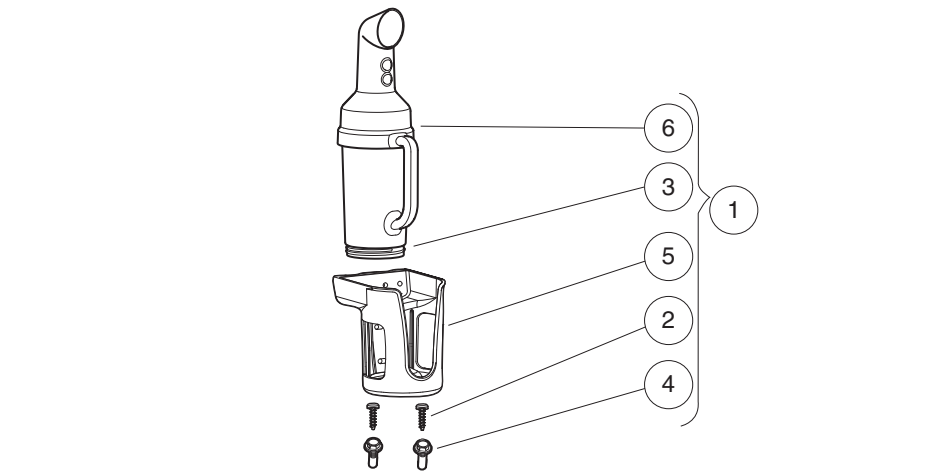
001046-002

CLUB AND BALL CLEANER KIT

ITEM	PART NO.	DESCRIPTION	QTY
		1 2 3 4	
1	102538803	Ball Washer (includes items 2 through 7)	1
2	1010436	Bumper, Rubber	1
3	102297230	Screw, M6, Torx, Interlock Thread	2
4	102541401	Bolt-m6x1.0x20 Hex Flhd Blk-l	2
5	103662801	Washer, Ball, Black	1
6	103994101	Bracket, Ball Washer	1
7	1620	Screw, #10-16 X 0.75 Pan-Head Tap	4
8	AM1231201	Drain Plug, Club Clean	1
9	AM1292101	Drain Plug, Ball Washer, Tabbed	1

1
G
E

1
G
E



001048-002

SAND BOTTLE KITS WITH HANDLES

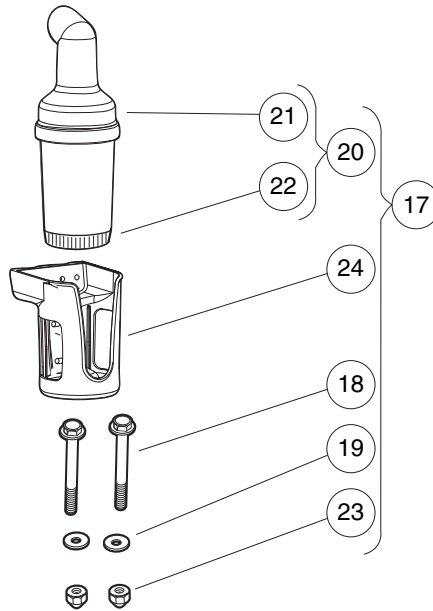
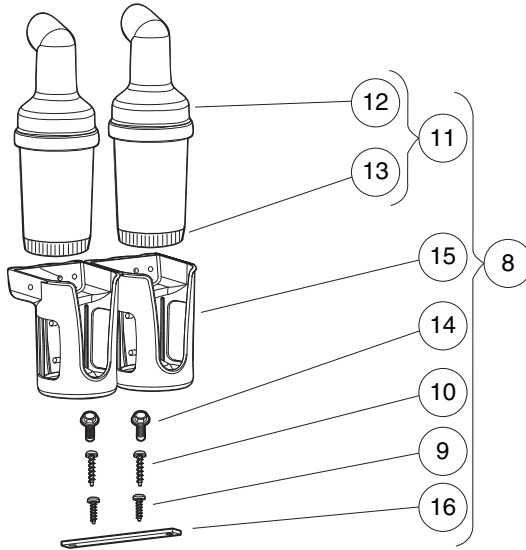
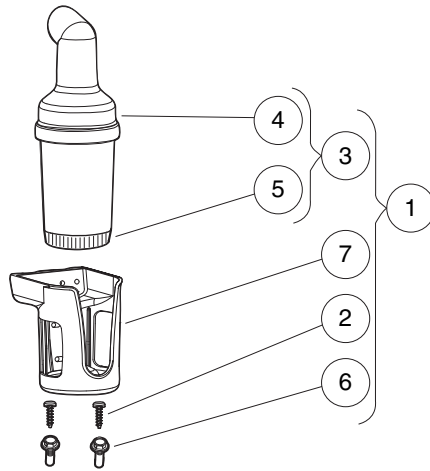
ITEM	PART NO.	DESCRIPTION	QTY
		1 2 3 4	
1	105291701	Kit, Hndl Sand Bttl, Sam, Sngl (includes items 2 through 6)	1
2	102297230	Screw, M6, Torx, Interlock Thread	2
3	102478101	Cap, Sand Bottle, Bottom-Fill	1
4	102541425	Bolt, M6x1.0x25, Hex Flhd, Blk-l	2
5	103451301	Basket, Sand Bottle	1
6	105284001	Sand Bottle Asm - Handled	1
7	105291702	Kit, Hndl Sand Bttl, Sam, Dual (includes items 8 through 14)	1
8	102296020	Screw-torx Pan Head Pt, M6x20	2
9	102297230	Screw, M6, Torx, Interlock Thread	2
10	102478101	Cap, Sand Bottle, Bottom-Fill	2
11	102541425	Bolt, M6x1.0x25, Hex Flhd, Blk-l	2
12	103451301	Basket, Sand Bottle	2
13	103451401	Link, Dual Basket	1
14	105284001	Sand Bottle Asm - Handled	2
15	105291703	Kit, Hndl Sand Bttl, Strt (includes items 16 through 21)	1
16	102296150	Bolt - M6x1.0x50 Hex Flng Hd	2
17	102296301	Washer, M6x18x1.6 Flat	2
18	102478101	Cap, Sand Bottle, Bottom-Fill	1
19	102582401	Cap Nut M6, Sp	2
20	103451301	Basket, Sand Bottle	1
21	105284001	Sand Bottle Asm - Handled	1
<p style="margin-left: 40px;">Note: Sand bottle assembly is supplied with sand bottle cap.</p>			

1

G

E

1
G
E



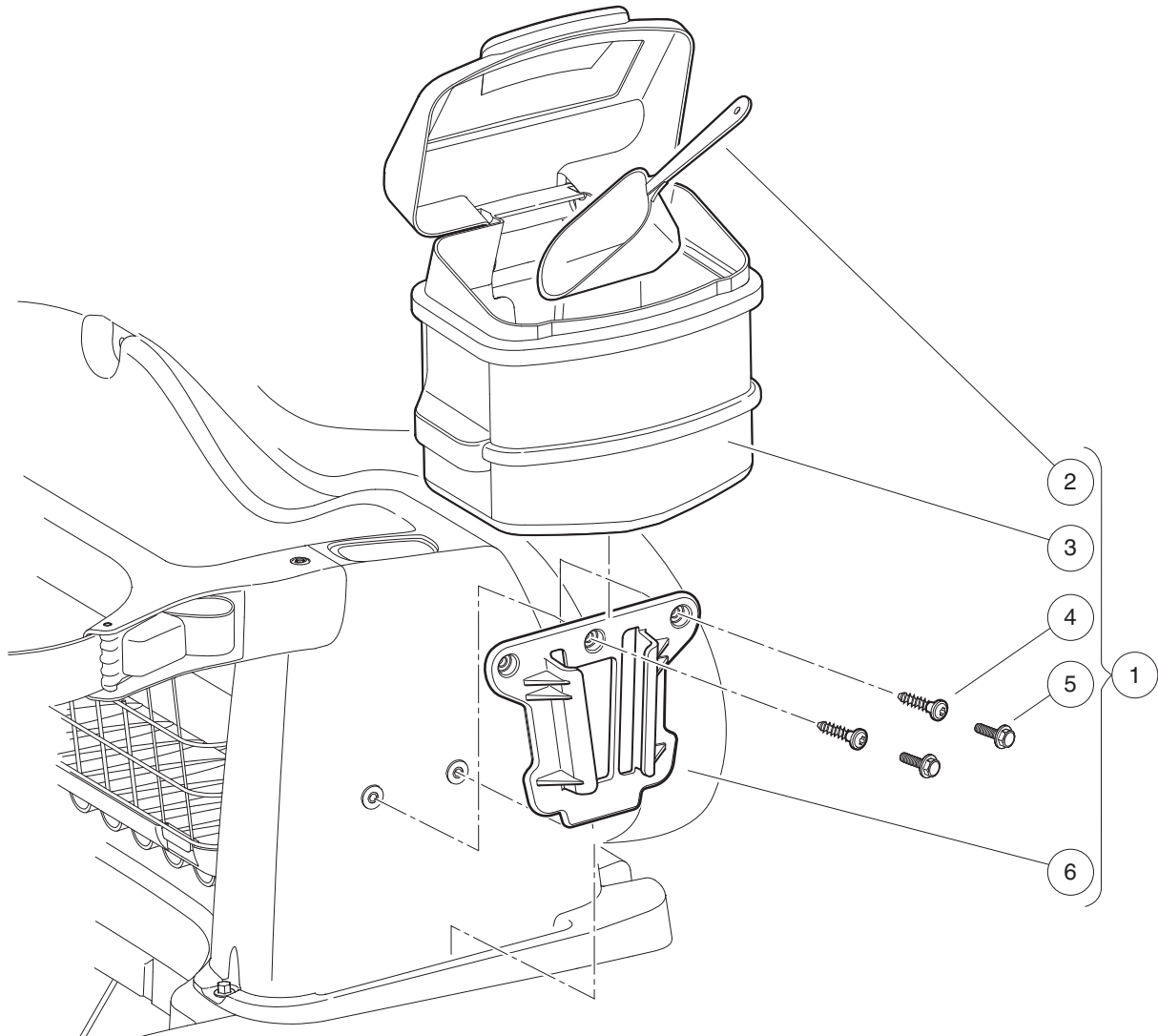
001048-001

SAND BOTTLE KITS

ITEM	PART NO.	DESCRIPTION	QTY
		1 2 3 4	
1	103451901	Kit, Sand Bottle, Sam, Single (includes items 2 through 7)	1
2	102297230	Screw, M6, Torx, Interlock Thread	2
3	102478201	Asm, Sand Bottle, Bottom-Fill, Curve/Grip Neck (includes items 4 and 5)	1
4	N/A	Sand Bottle, Bottom-Fill, Curve/Grip Neck	1
5	102478101	Cap, Sand Bottle, Bottom-Fill	1
6	102541425	Bolt, M6x1.0x25, Hex Flhd, Blk-l	2
7	103451301	Basket, Sand Bottle	1
8	103451902	Kit, Sand Bottle, Sam, Dual (includes items 9 through 16)	1
9	102296020	Screw, Torx Pan Hd Pt, M6 X 20	2
10	102297230	Screw, M6, Torx, Interlock Thread	2
11	102478201	Asm, Sand Bottle, Bottom-Fill, Curve/Grip Neck (includes items 12 and 13)	2
12	N/A	Sand Bottle, Bottom-Fill, Curve/Grip Neck	1
13	102478101	Cap, Sand Bottle, Bottom-Fill	1
14	102541425	Bolt, M6x1.0x25, Hex Flhd, Blk-l	2
15	103451301	Basket, Sand Bottle	2
16	103451401	Link, Dual Basket	1
17	103451903	Kit, Sand Bottle, Strut (includes items 18 through 24)	1
18	102296150	Bolt - M6x1.0x50 Hex Flng Hd	2
19	102296301	Washer, M6x18x1.6 Flat	2
20	102478201	Asm, Sand Bottle, Bottom-Fill, Curve/Grip Neck (includes items 21 and 22)	1
21	N/A	Sand Bottle, Bottom-Fill, Curve/Grip Neck	1
22	102478101	Cap, Sand Bottle, Bottom-Fill	1
23	102582401	Cap Nut M6, Sp	2
24	103451301	Basket, Sand Bottle	1

1
G
E

1
G
E



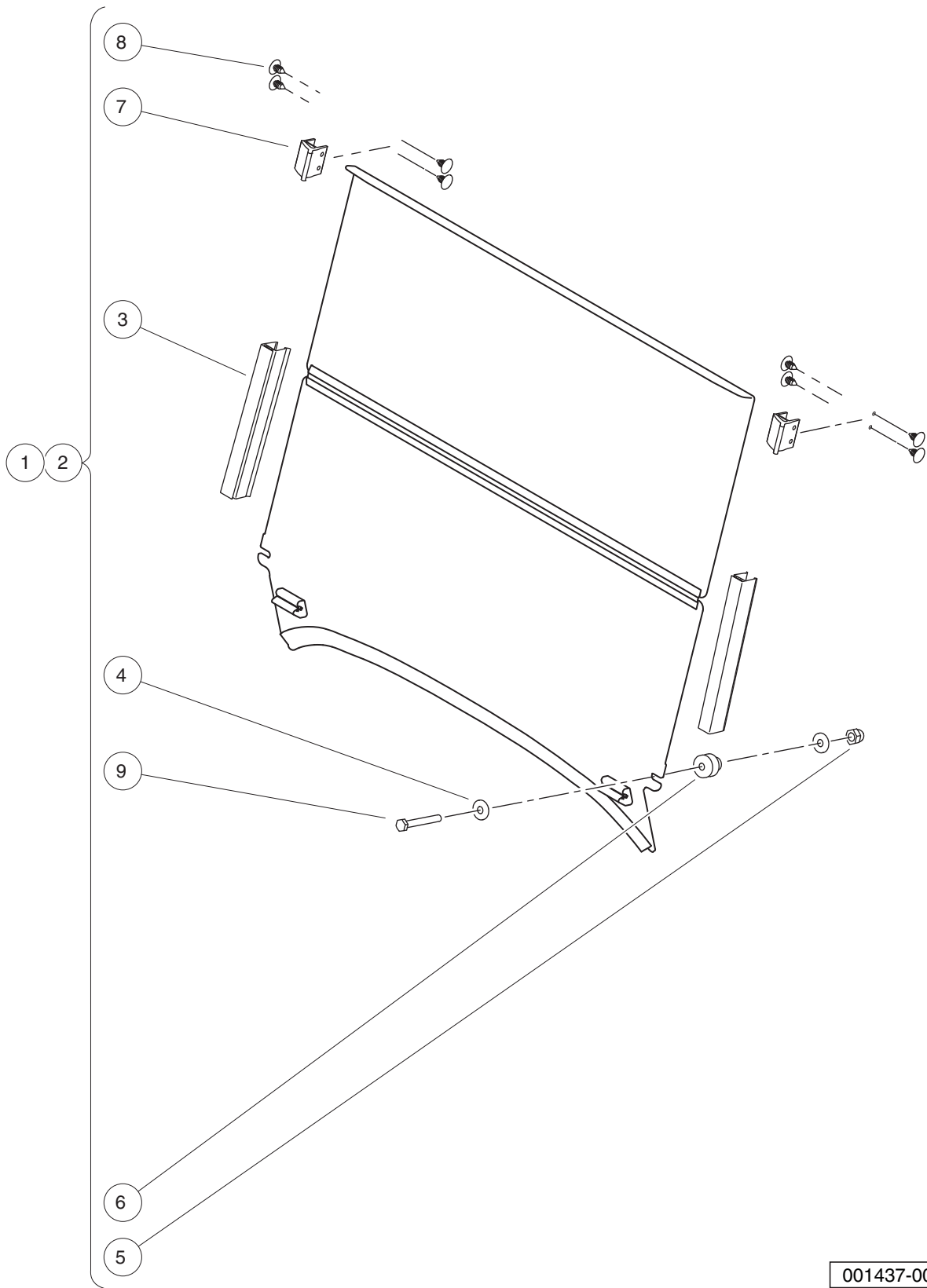
001047-001

SAND BUCKET KITS

ITEM	PART NO.	DESCRIPTION	QTY
		1 2 3 4	
1	102536103	Sand Bucket Instl, Field (includes items 2 through 6)	1
2	1017041	Scoop, Plastic Sand	1
3	101985201	Bucket Assy, Sand	1
4	102297230	Screw, M6, Torx, Interlock Thread	2
5	102541401	Bolt-m6x1.0x20 Hex Flhd Blk-I	2
6	103886801	Accessory Bracket	1

1
G
E

1
G
E



001437-001

WINDSHIELD – HINGED

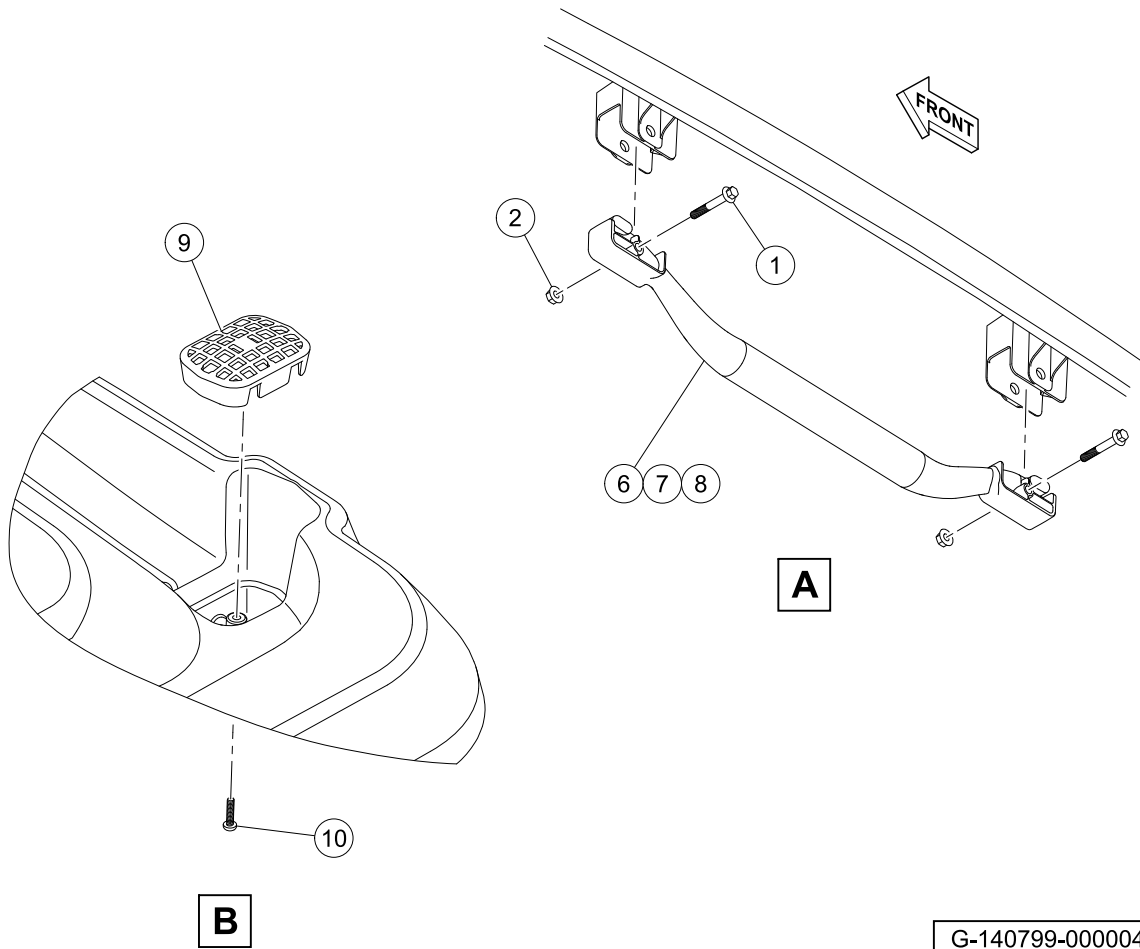
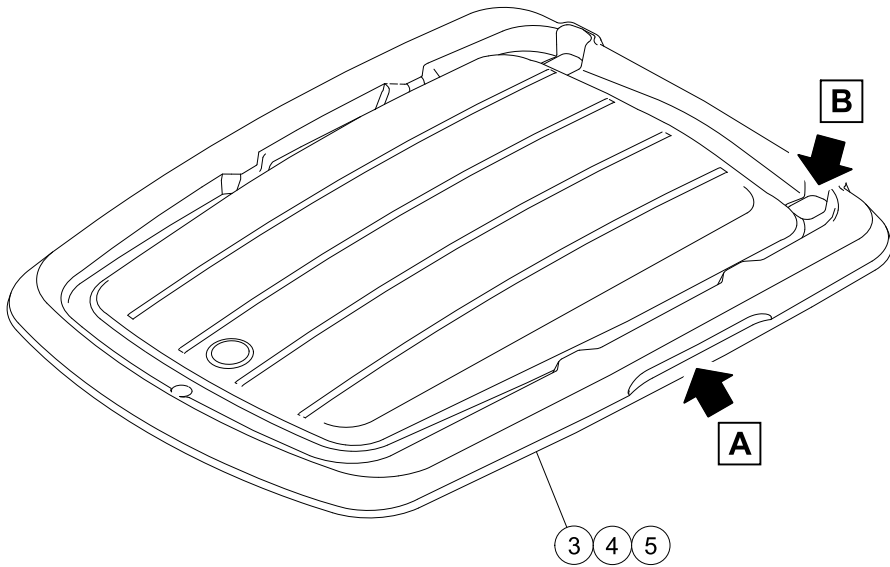
ITEM	PART NO.	DESCRIPTION	QTY
		1 2 3 4	
1	105248601	Kit, Windshield, Hinged, Tinted, Prec	1
2	105248701	Kit, Windshield, Hinged, Clear, Prec (includes items 3 through 9)	1
3	102163001	Windshield Channel	2
4	102296301	Washer, M6x18x1.6 Flat	4
5	102582401	Cap Nut M6, Sp	2
6	102947601	Grommet, Windshield	2
7	103677101	W/s, Rubber, Clip Retainer	2
8	103754901	Fastener, Barrel - .610 X .25	8
9	105289701	M6x1.0x48 Hex Hd Bolt-blk	2
<p>Note: Detail tems 3 through 9 apply to both kits. Individual windshield part numbers are 105248501 for tinted windshield and 105248801 for clear windshield. Windshields are supplied with each applicable kit.</p>			

1

G

E

1
G
E



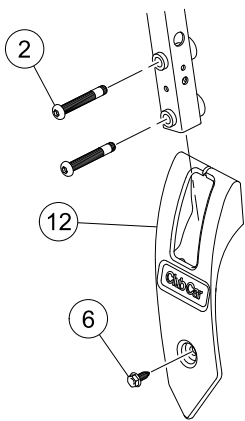
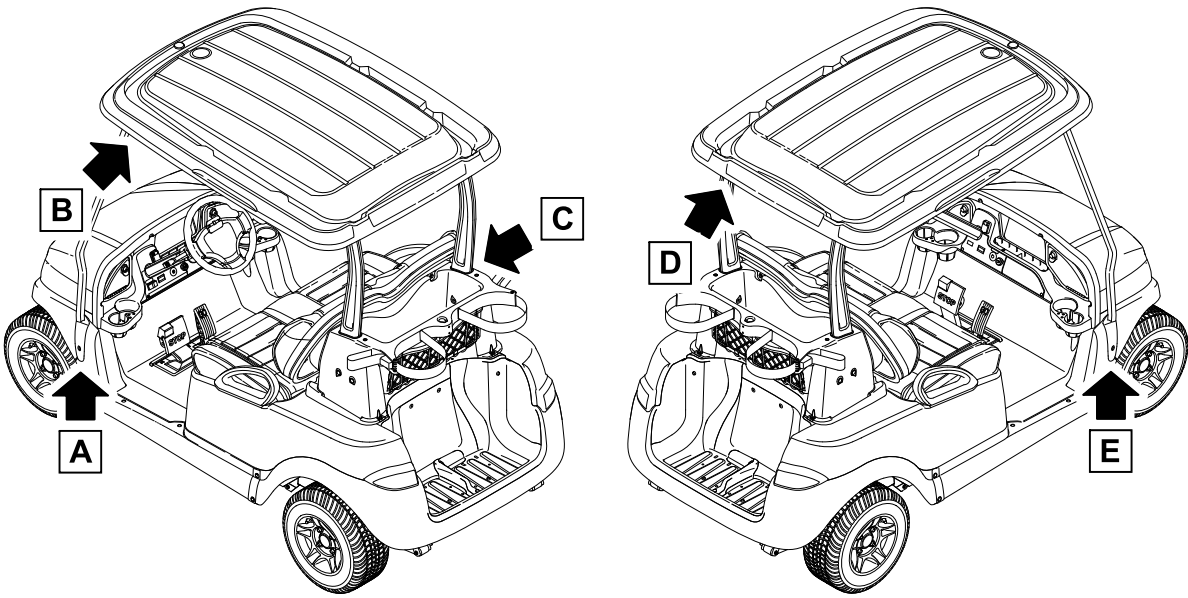
G-140799-000004

CANOPIES

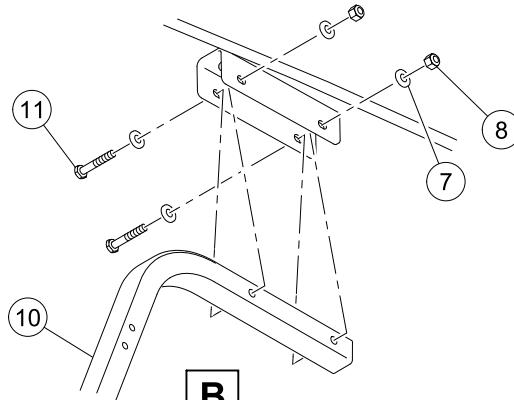
ITEM	PART NO.	DESCRIPTION	QTY
		1 2 3 4	
1	102296140	Bolt, Flanged Head, M6x1.0x40	4
2	102296401	Nut, M6x1.0, Flange, Metal Lock	4
3	102508901	Canopy-white	1
4	102508902	Canopy-beige	1
5	102508903	Canopy-black	1
6	102511601	Handle, Canopy (White)	2
7	102511602	Handle, Canopy (Beige)	2
8	102511603	Handle-canopy (black)	2
9	103205101	Cover, Drain, Canopy	2
10	103210101	Screw, #8 X.75, Torx, Tapping	2
11	104008001	Asm, Canopy W/handles, White	A/R
12	104008002	Asm, Canopy W/handles, Beige	A/R
13	104008003	Asm, Canopy W/handles, Black	A/R
<p>Note: Items 11, 12 and 13 are not illustrated. If ordered, the canopy assembly will be supplied with all applicable detail parts.</p>			

1
G
E

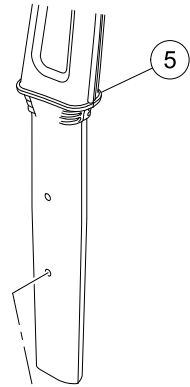
1
G
E



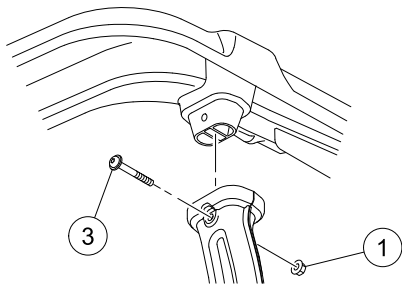
A



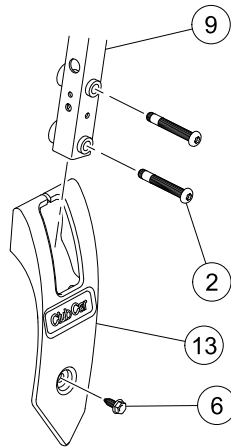
B



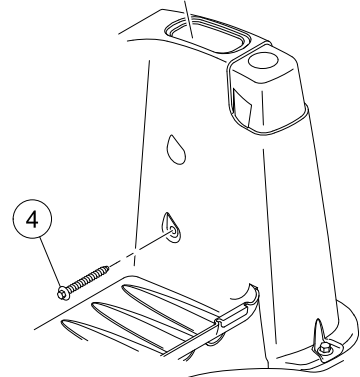
C



D



E



G-140799-000002

CANOPY STRUTS – TOPPED

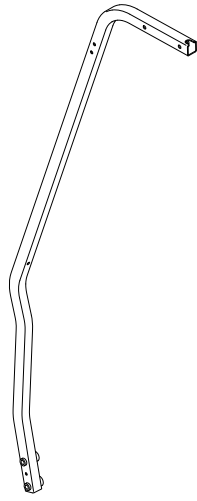
ITEM	PART NO.	DESCRIPTION	QTY
		1 2 3 4	
1	102298401	Nut, M8, All Metal Lock	2
2	102299065	M8-1.25 X 65 Tx Bttn Hd Bolt	4
3	102299360	Screw, M8-1.25 X 60, Sems, Tx	2
4	102299601	Screw, Pt, K80x70 Hex Flg Hd	2
5	102513501	Asm-rear Canopy Support	1
6	102544201	Screw, M6 Hex	2
7	103196001	Washer, Conical Spring, Canopy	8
8	103200301	Nut, M6 x 1.00	4
9	103750001	Strut, Canopy Front, Passenger-side	1
10	103750101	Strut, Canopy Front, Driver-side	1
11	103774801	Screw, Pt, Washer Head, 4x16	6
12	47589920001	Cover, Strut, LH, Topped	1
13	47589920002	Cover, Strut, RH, Topped	1

1
G
E

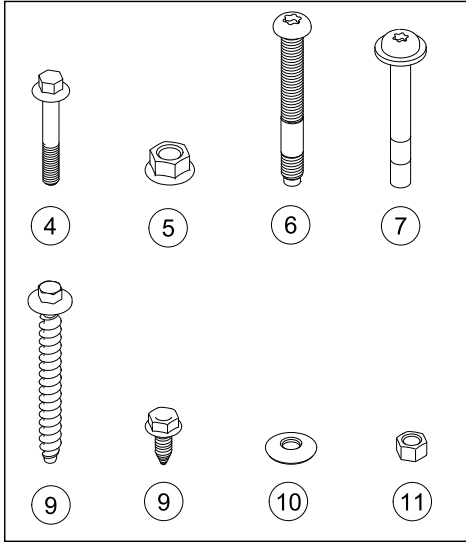
1
G
E



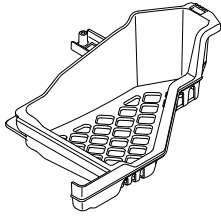
1



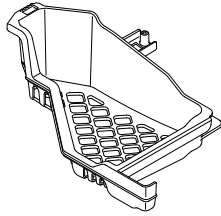
2



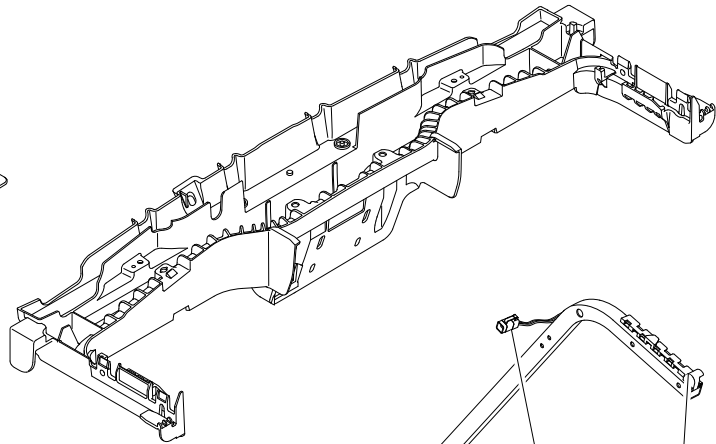
3



12



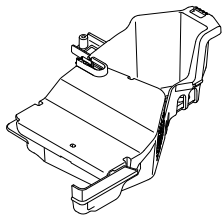
13



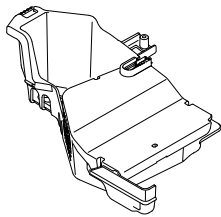
14



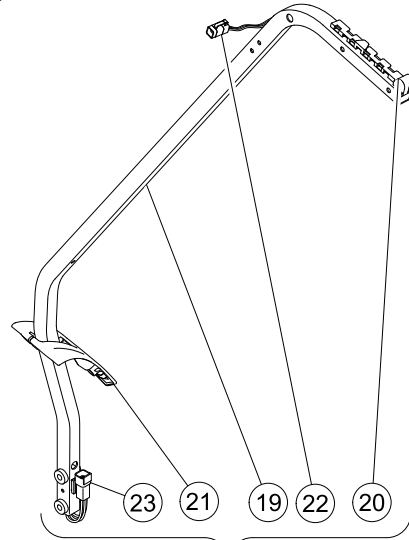
15



16



17



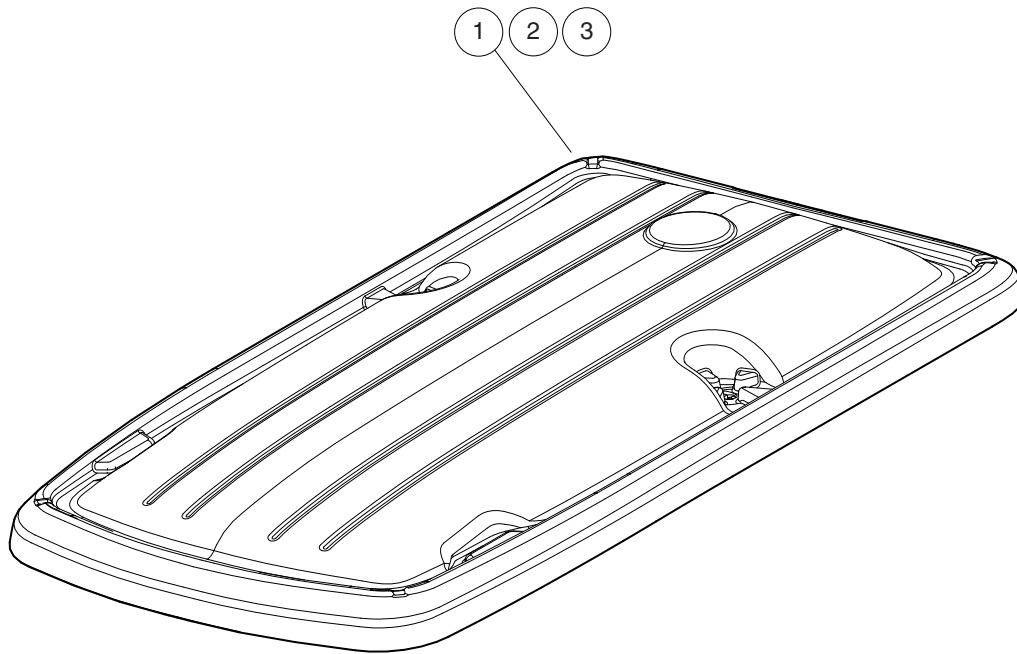
18

G-140799-000001

VISAGE CANOPY STRUTS AND CONSOLE

ITEM	PART NO.	DESCRIPTION	QTY
		1 2 3 4	
1	102513501	Asm-rear Canopy Support	2
2	103750101	Strut, Canopy Front, Driver-side	1
3	104008503	Kit, Hardware, Canopy (includes items 4 through 11)	1
4	102296150	Bolt - M6x1.0x50 Hex Flng Hd	4
5	102298401	Nut, M8, All Metal Lock	2
6	102299065	M8-1.25 X 65 Tx Bttm Hd Bolt	4
7	102299360	Screw, M8-1.25 X 60, Sems, Tx	2
8	102299601	Screw, Pt, K80x70 Hex Flg Hd	2
9	102544201	Screw, M6 Hex	2
10	103196001	Washer, Conical Spring, Canopy	8
11	103200301	Nut, M6 x 1.00	4
12	47559264001	Basket, Overhead, Driver-side	1
13	47559264002	Basket, Overhead, Passenger-side	1
14	47559265001	Support, Display Unit	1
15	47589920001	Cover, Strut, LH, Topped	1
16	47613526001	Basket, Spkr, 8 Ohm, Left	1
17	47613526002	Basket, Spkr, 8 Ohm, Right	1
18	47638185001	Asm, Strut, Rh, Visage, 4-pin (includes items 19 through 23)	1
19	103750001	Strut, Canopy Front, Passenger-side	1
20	47559268001	Retainer, Wire Harness	1
21	47589920002	Cover, Strut, RH, Topped	1
22	47625005001	Harness, Visage, Strut, Li-a/c	1
23	47638453001	Mounting Clip, Ampseal 16	1

1
G
E



000439-012

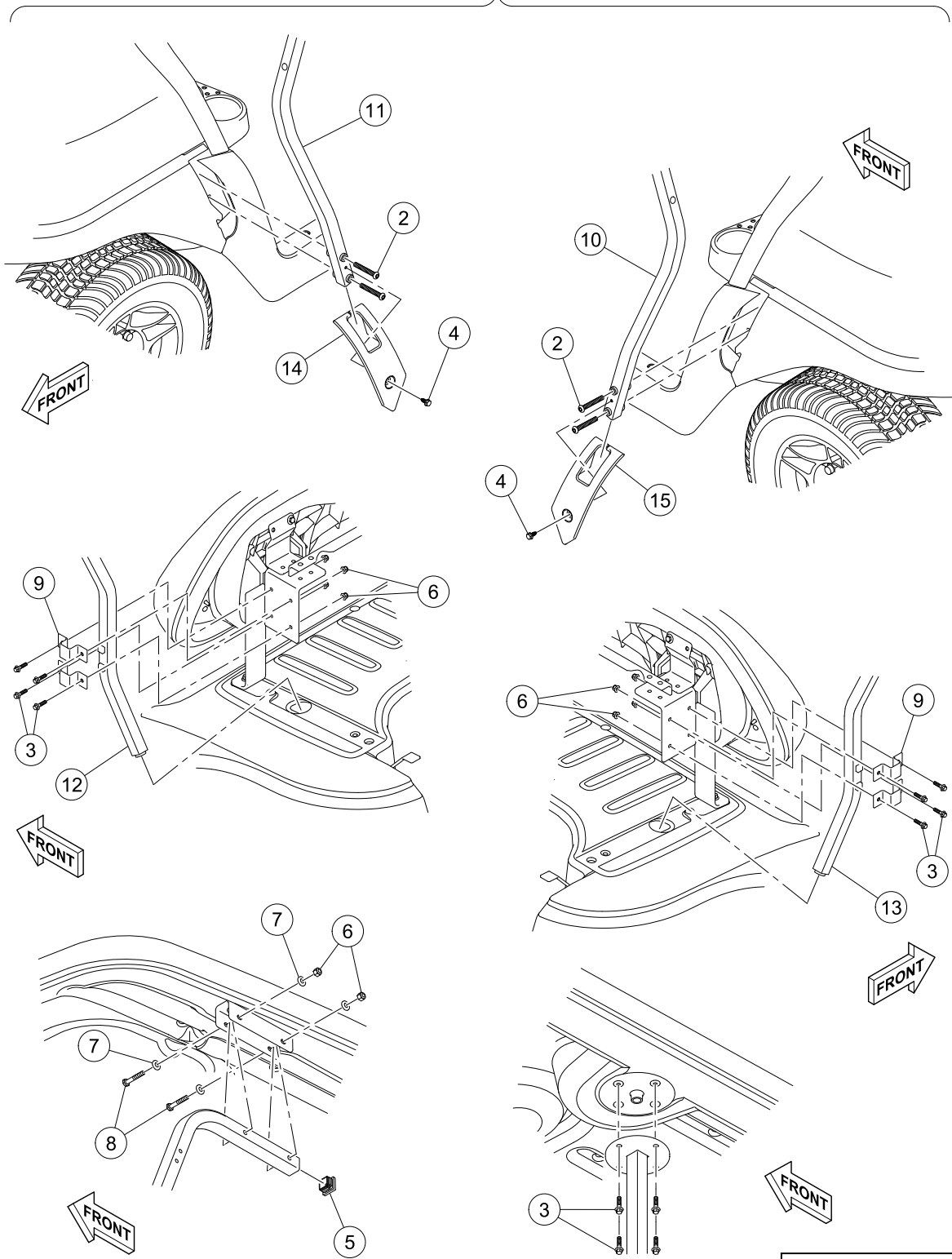
FOUR-PASSENGER MONSOON CANOPY

ITEM	PART NO.	DESCRIPTION	QTY
		1 2 3 4	
1	103286201	Asm, Canopy 4p Monsoon XI, Wht	1
2	103286202	Asm, Canopy 4p Monsoon XI, Bge	1
3	103286203	Asm, Canopy 4p Monsoon XI, Blk	1

1
G
E

1
G
E

1



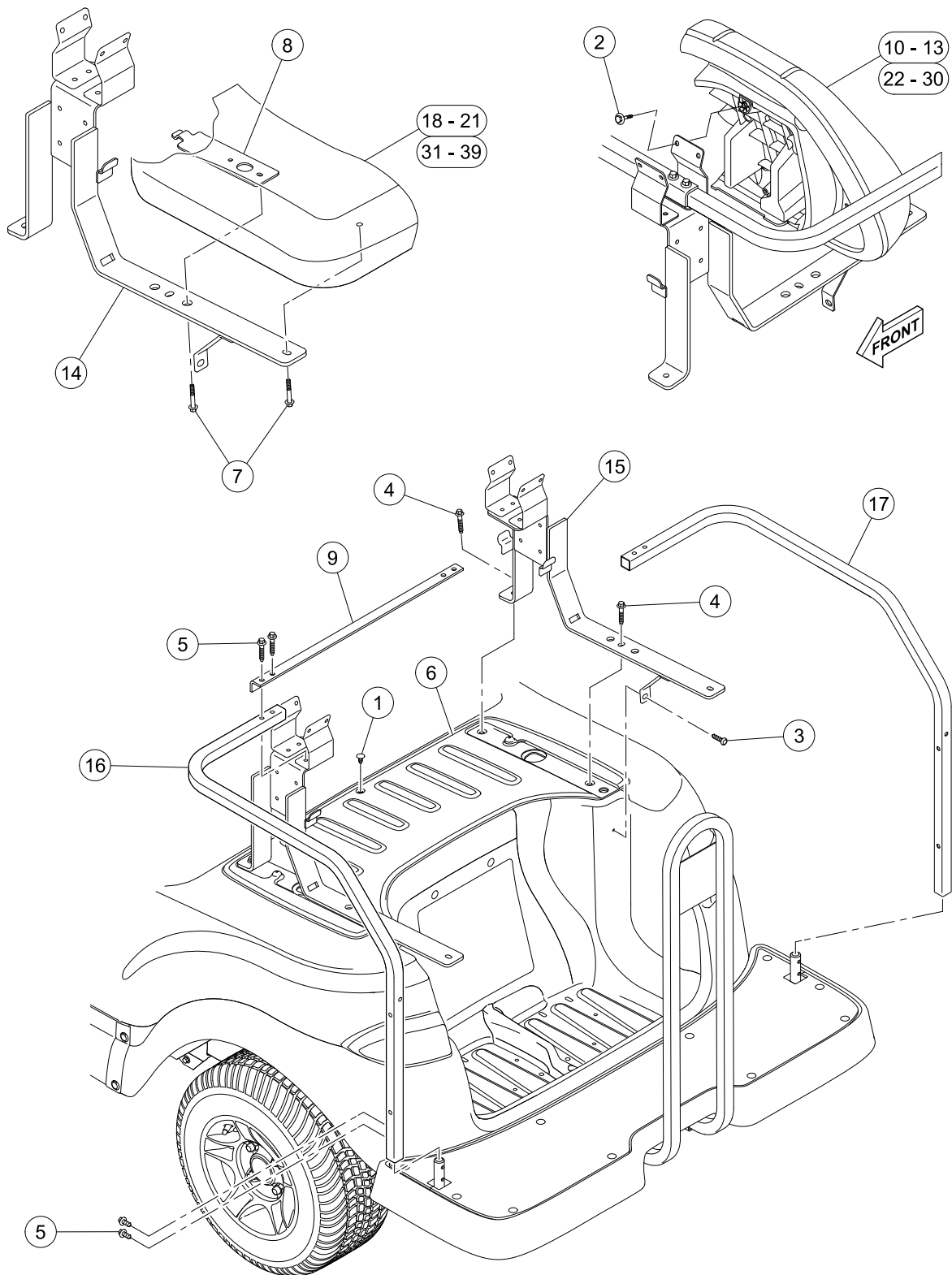
G-141799-000003

FOUR-PASSENGER MONSOON CANOPY STRUTS

ITEM	PART NO.	DESCRIPTION	QTY
		1 2 3 4	
1	103725703	Kit, Canopy 4 Pass Strut (includes items 2 through 15)	1
2	102299065	M8-1.25 X 65 Tx Bttn Hd Bolt	4
3	102541425	Bolt, M6x1.0x25, Hex Flhd, Blk-l	16
4	102544201	Screw, M6 Hex	2
5	102581201	Plug, Square - 25.4 mm	2
6	102621501	Nut, Flange, M6 X 1.0, Nylon	12
7	103196001	Washer, Conical Spring, Canopy	8
8	103199301	Bolt - M6 X 1 X 45 Hh Grey	4
9	103653201	Bracket- Hat, Strut	4
10	103750001	Strut, Canopy Front, Passenger-side	1
11	103750101	Strut, Canopy Front, Driver-side	1
12	103816401	Weldment- Drain Strut, Drv	1
13	103816402	Weldment- Drain Strut, Pas	1
14	47589920001	Cover, Strut, LH, Topped	1
15	47589920002	Cover, Strut, RH, Topped	1

1
G
E

1
G
E



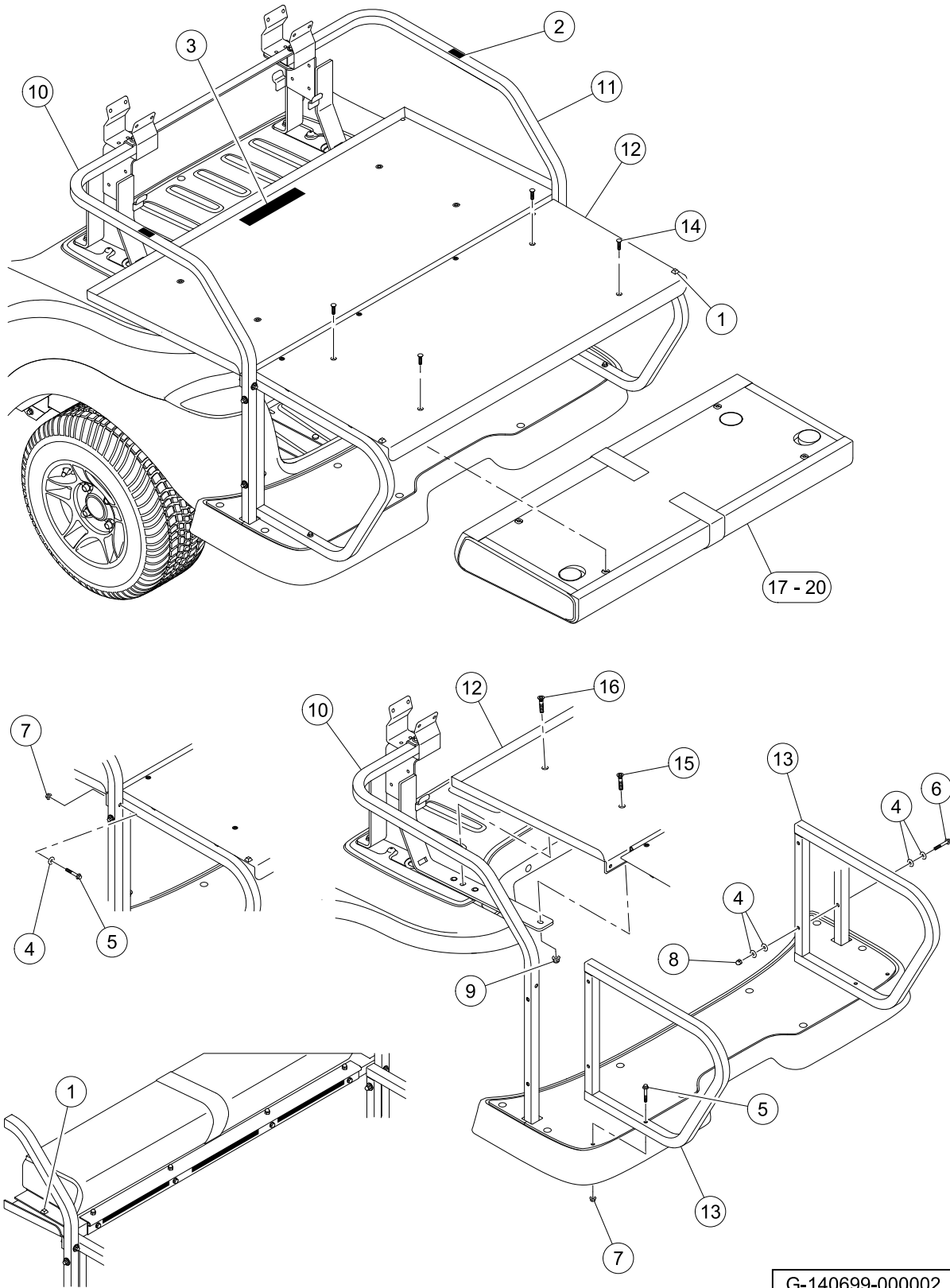
G-140699-000001

REAR SEAT – FIXED

ITEM	PART NO.	DESCRIPTION	QTY
		1 2 3 4	
1	1010434	Barrel - Plastic	10
2	102296530	Screw - M6 X 1.0 X 30 Sems	4
3	102298030	Screw, K80x30, Torx Pn Hd Pt	2
4	102298240	Bolt, Flange Head, M8-1.25 X 40	1
5	102298745	M8-1.25x45 Taptite	10
6	102531502	Cover- 4 Pass W/canopy	1
7	102541425	Bolt, M6x1.0x25, Hex Flhd, Blk-l	4
8	102573101	Bracket, 4-pass Lower Seat	2
9	103653001	Angle, Strut, Tie	1
10	103853121	Asm, Seat Back, Beige, Service Replacement	1
11	103853122	Asm, Seat Back, White, Service Replacement	1
12	103853124	Asm, Seat Back, Gray, Service Replacement	1
13	103853125	Asm, Seat Back, Black, Service Replacement	1
14	103866801	Weldment, Sprt, 4pass, Drv	1
15	103866802	Weldment, Sprt, 4pass	1
16	103866901	Restraint-lh 4pass Hip	1
17	103866902	Restraint-rh 4pass Hip	1
18	105101221	Service, Beige, 4pass Rear Btm	1
19	105101222	Service, White, 4pass Rear Btm	1
20	105101224	Service, Gray, 4pass Rear Btm	1
21	105101225	Service, Black, 4pass Rear Btm	1
22	47564888021	Asm, Seat Back, Rear, Lt. Beige, Service Replacement	1
23	47564888022	Asm, Seat Back, Rear, Camello, Service Replacement	1
24	47564888023	Asm, Seat Back, Rear, Off-White, Service Replacement	1
25	47564888024	Asm, Seat Back, Rear, Camello/Lt. Beige, Service Replacement	1
26	47564888025	Asm, Seat Back, Rear, Camello/Off-White, Service Replacement	1
27	47564888026	Asm, Seat Back, Rear, Lt. Beige/Off-White, Service Replacement	1
28	47564888027	Asm, Seat Back, Rear, Black, Service Replacement	1
29	47564888028	Asm, Seat Back, Rear, Black/Gray, Service Replacement	1
30	47564888029	Asm,bk,rr,gray,srvc,prem	1
31	47564888029	Asm,bk,rr,gray,srvc,prem	1
32	47564889021	Asm, Seat Bottom, Rear, Lt. Beige, Service Replacement	1
33	47564889022	Asm, Seat Bottom, Rear, Camello, Service Replacement	1
34	47564889023	Asm, Seat Bottom, Rear, Off-White, Service Replacement	1
35	47564889024	Asm, Seat Bottom, Rear, Camello/Lt. Beige, Service Replacement	1
36	47564889025	Asm, Seat Bottom, Rear, Camello/Off-White, Service Replacement	1
37	47564889026	Asm, Seat Bottom, Rear, Lt. Beige/Off-White, Service Replacement	1
38	47564889027	Asm, Seat Bottom, Rear, Black, Service Replacement	1
39	47564889028	Asm, Seat Bottom, Rear, Black/Gray, Service Replacement	1

1
G
E

1
G
E

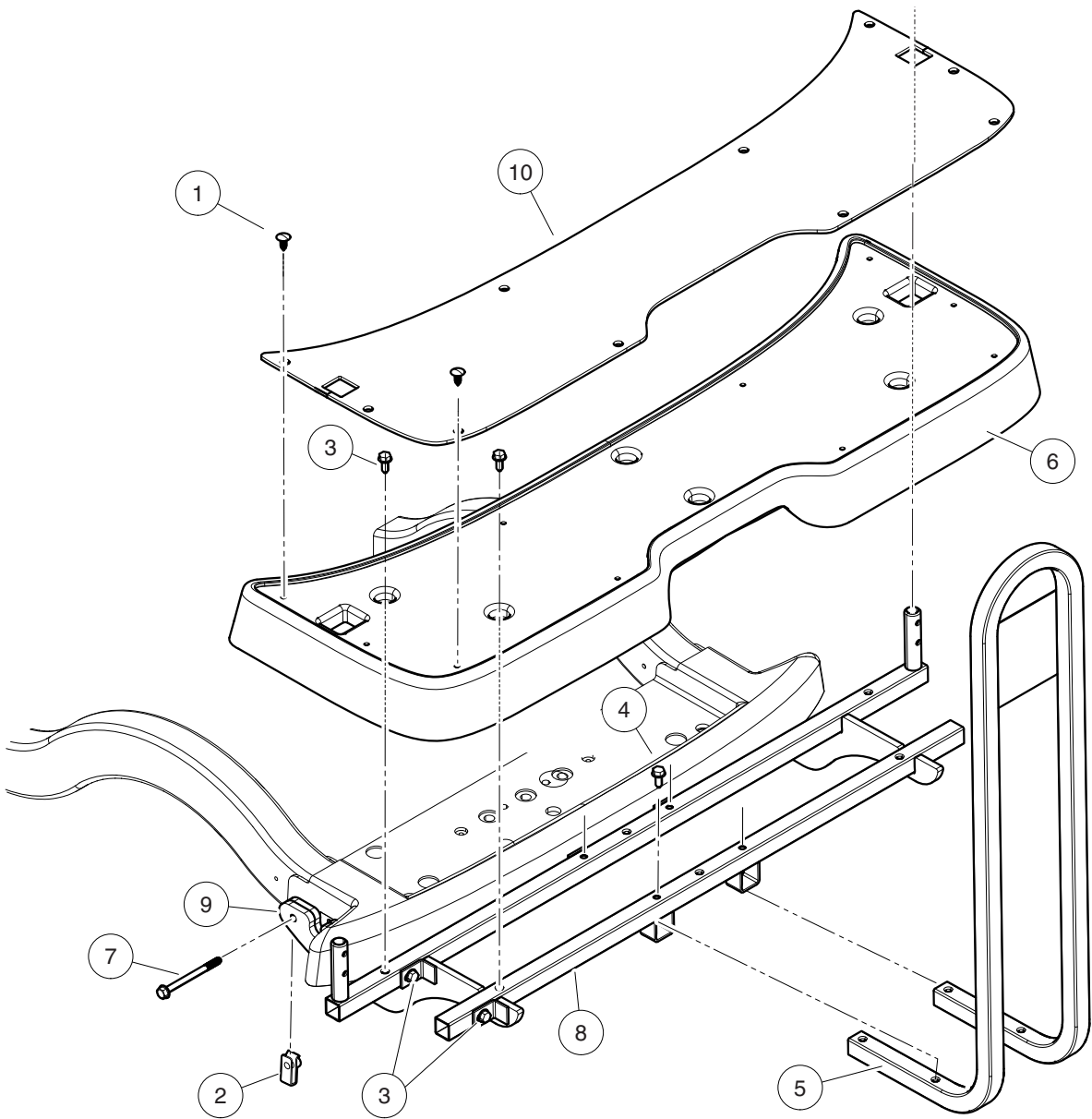


G-140699-00002

REAR FOLD-DOWN SEAT

ITEM	PART NO.	DESCRIPTION	QTY
		1 2 3 4	
1	1011897	Bumper, Protective	6
2	101609401	Decal, Crush Area Warning	2
3	101972001	Decal, D.s. Box Bed Warning (for vehicles with bed box option)	1
4	102296301	Washer, M6x18x1.6 Flat	18
5	102541445	Bolt-m6x1.0x45 Hex Flhd,blk	4
6	102541465	Bolt, M 6 X 1.0 X 65 Hex, Flange, Head, Black	4
7	102541501	Nut-m6x1.0 Fl Mtl Lock,blk	4
8	102582401	Cap Nut M6, Sp	4
9	102618601	Lock Nut, Flange, M8 X 1.25 Nylon	2
10	103866903	Restraint-lh 4pass Fold Down	1
11	103866904	Restraint-rh 4pass Fold Down	1
12	105268501	Asm, Hinge, Fold Down	1
13	105300101	Asm, Side Frame	2
14	105307901	Screw, Mach, Fthd,ss, 1/4-20x1	4
15	105308425	Screw, Fthd, Ss, M8x1.25x25	2
16	105308440	Screw, Fthd, Ss, M8x1.25x40	2
17	105310201	Asm, Bottom, Flip Seat, Beige	A/R
18	105310202	Asm, Bottom, Flip Seat, White	A/R
19	105310203	Asm, Bottom, Flip Seat, Gray	A/R
20	105310204	Asm, Bottom, Flip Seat, Black	A/R

1
G
E



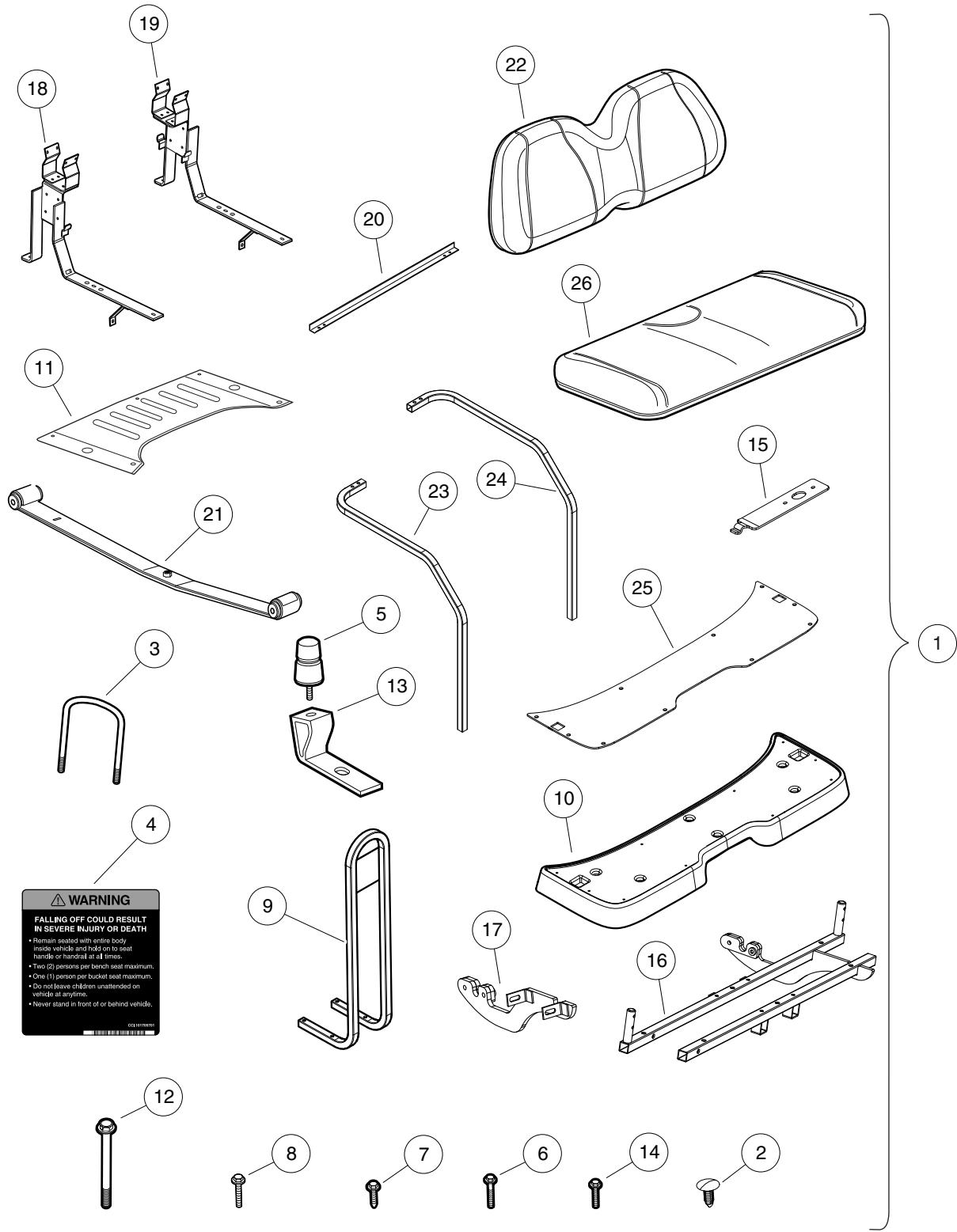
000493-004

REAR FOOTDECK ASSEMBLY

ITEM	PART NO.	DESCRIPTION	QTY
		1 2 3 4	
1	1010434	Barrel - Plastic	10
2	102298601	J-clip - M8 X 1.25	4
3	102298720	Screw, M8-1.25x20, Taptite	8
4	102298745	M8-1.25x45 Taptite	4
5	102531001	Handrail Weldment, Rear Seat	1
6	102531402	Footdeck, 4-Passenger, Black	1
7	102534201	Bolt - Fl Hd, M8 X 95	4
8	102584701	Weld, 4-pass Footdeck-a	1
9	102584801	Weld, 4-pass Footdeck-b	1
10	103922401	Floormat, 4-pass, Rear	1

1
G
E

1
G
E



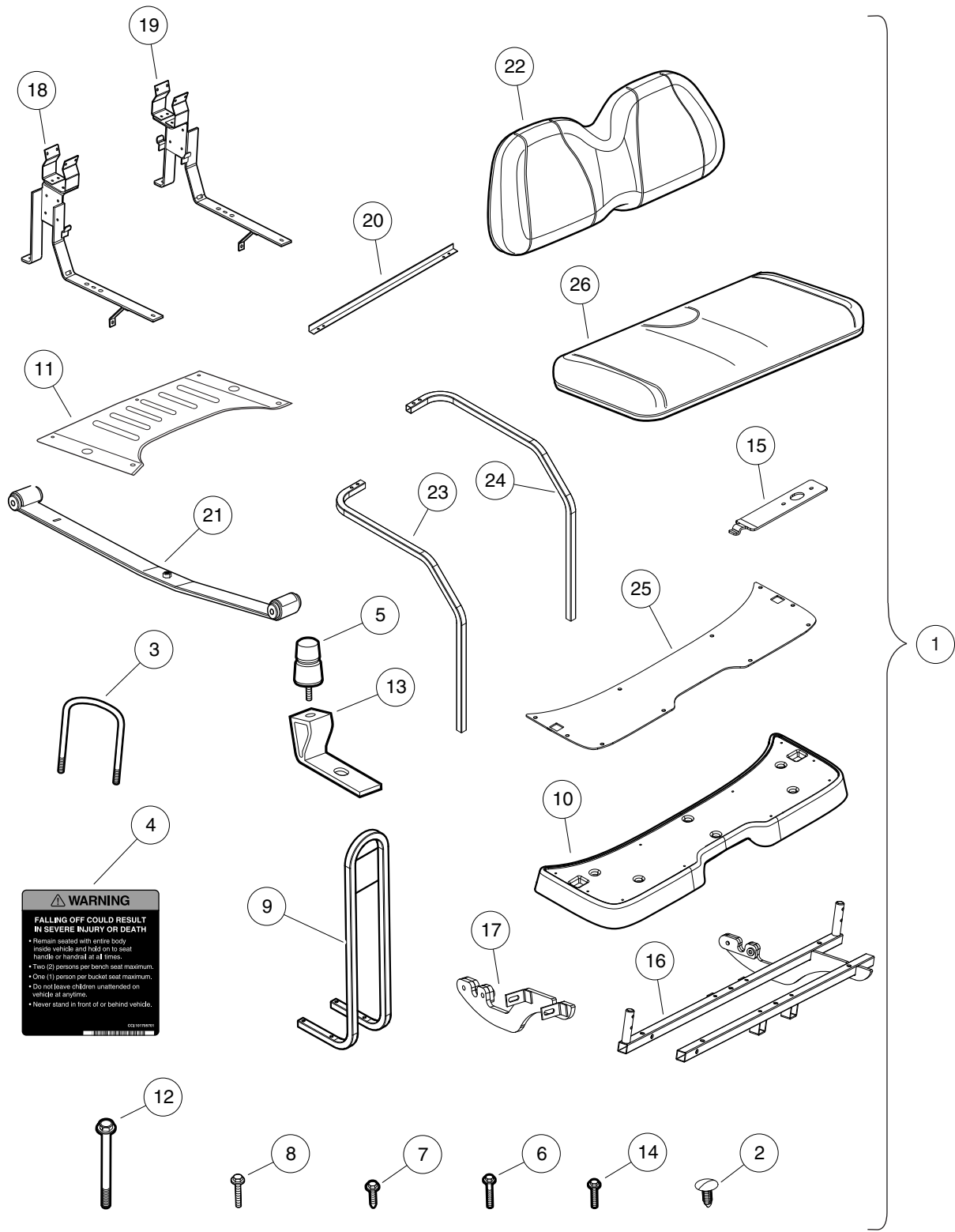
000505-008

FOUR PASSENGER CONVERSION KIT, MONSOON – BEIGE

ITEM	PART NO.	DESCRIPTION	QTY
		1 2 3 4	
1	102570905	Kit-4pass, Monsoon XI, Beige (includes items 2 through 26)	1
2	1010434	Barrel - Plastic	11
3	1014902	U-Bolt	2
4	101705701	Decal, Warning	1
5	1017235	Bumper, Jounce	2
6	102296530	Screw - M6 X 1.0 X 30 Sems	4
7	102298720	Screw, M8-1.25x20, Taptite	12
8	102298745	M8-1.25x45 Taptite	8
9	102531001	Handrail Weldment, Rear Seat	1
10	102531402	Footdeck, 4-Passenger, Black	1
11	102531502	Cover- 4 Pass W/canopy	1
12	102534201	Bolt - Fl Hd, M8 X 95	4
13	102534801	Jounce Bumper Bracket	2
14	102541425	Bolt, M6x1.0x25, Hex Flhd, Blk-l	6
15	102573101	Bracket, 4-pass Lower Seat	2
16	102584701	Weld, 4-pass Footdeck-a	1
17	102584801	Weld, 4-pass Footdeck-b	1
18	103624601	Weldment, Spt, 4pass, Drv	1
19	103624602	Weldment, Spt, 4pass, Pas	1
20	103653001	Angle, Strut, Tie	1
21	103742303	Asm, Rear Leaf Spring, 4-Passenger	2
22	103853121	Asm, Seat Back, Beige, Service Replacement	1
23	103866901	Restraint-lh 4pass Hip	1
24	103866902	Restraint-rh 4pass Hip	1
25	103922401	Floormat, 4-pass, Rear	1
26	105101221	Service, Beige, 4pass Rear Btm	1

1
G
E

1
G
E



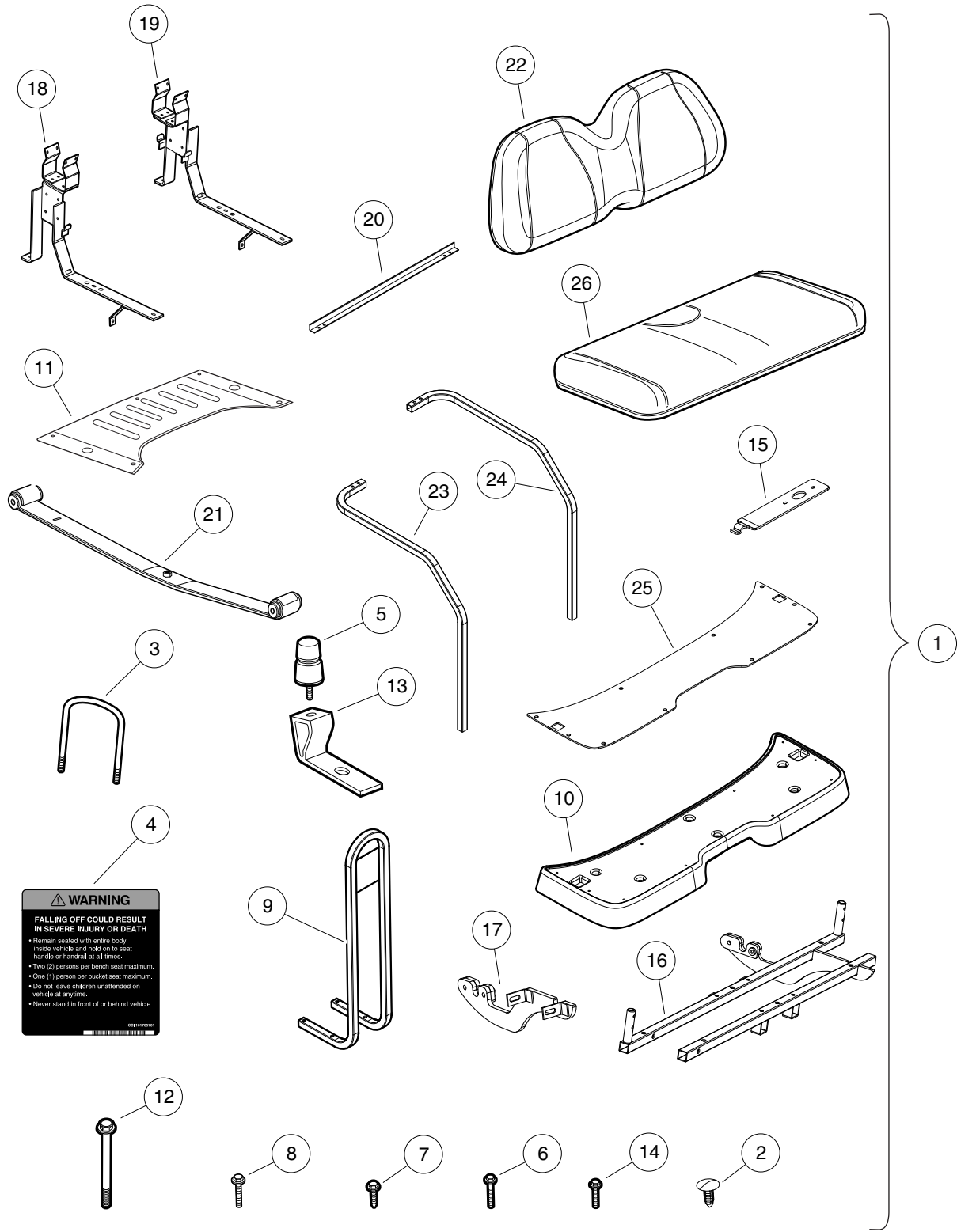
000505-008

FOUR PASSENGER CONVERSION KIT, MONSOON – WHITE

ITEM	PART NO.	DESCRIPTION	QTY
		1 2 3 4	
1	102570906	Kit-4pass, Monsoon XI, White (includes items 2 through 26)	1
2	1010434	Barrel - Plastic	11
3	1014902	U-Bolt	2
4	101705701	Decal, Warning	1
5	1017235	Bumper, Jounce	2
6	102296530	Screw - M6 X 1.0 X 30 Sems	4
7	102298720	Screw, M8-1.25x20, Taptite	12
8	102298745	M8-1.25x45 Taptite	8
9	102531001	Handrail Weldment, Rear Seat	1
10	102531402	Footdeck, 4-Passenger, Black	1
11	102531502	Cover- 4 Pass W/canopy	1
12	102534201	Bolt - Fl Hd, M8 X 95	4
13	102534801	Jounce Bumper Bracket	2
14	102541425	Bolt, M6x1.0x25, Hex Flhd, Blk-l	6
15	102573101	Bracket, 4-pass Lower Seat	2
16	102584701	Weld, 4-pass Footdeck-a	1
17	102584801	Weld, 4-pass Footdeck-b	1
18	103624601	Weldment, Spt, 4pass, Drv	1
19	103624602	Weldment, Spt, 4pass, Pas	1
20	103653001	Angle, Strut, Tie	1
21	103742303	Asm, Rear Leaf Spring, 4-Passenger	2
22	103853122	Asm, Seat Back, White, Service Replacement	1
23	103866901	Restraint-lh 4pass Hip	1
24	103866902	Restraint-rh 4pass Hip	1
25	103922401	Floormat, 4-pass, Rear	1
26	105101222	Service, White, 4pass Rear Btm	1

1
G
E

1
G
E



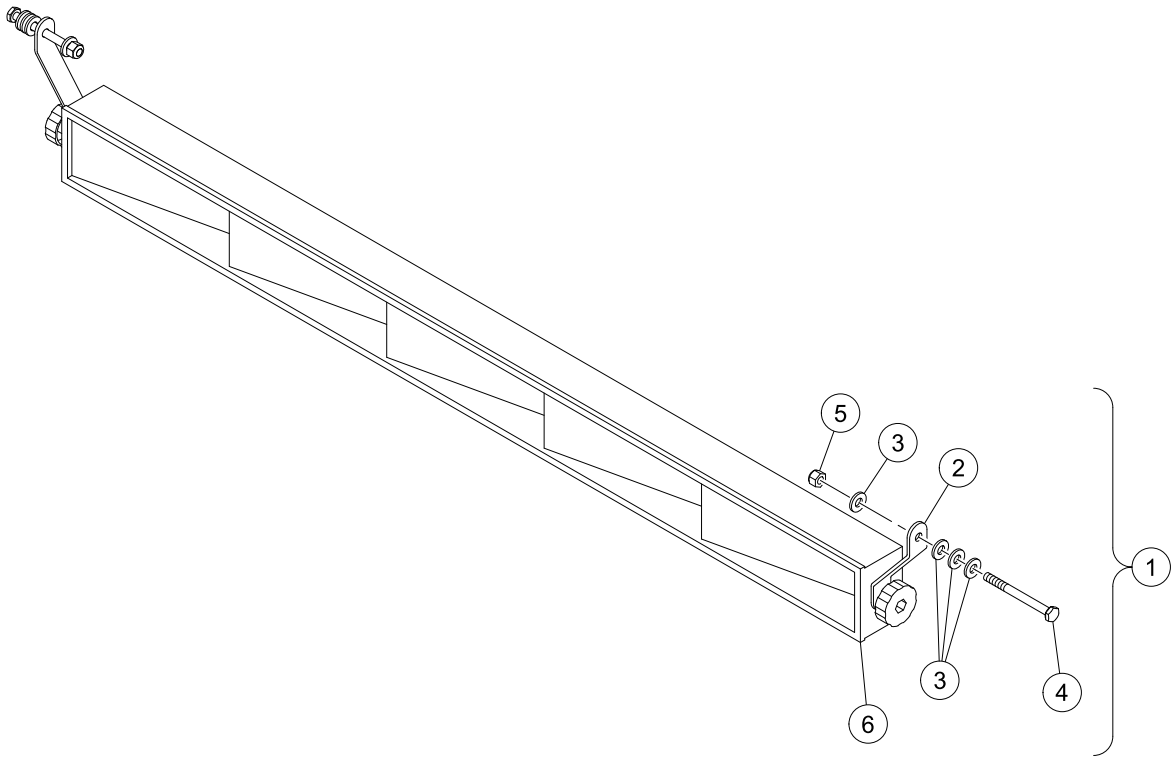
000505-008

FOUR PASSENGER CONVERSION KIT, MONSOON – GRAY

ITEM	PART NO.	DESCRIPTION	QTY
		1 2 3 4	
1	102570907	Kit-4pass, Monsoon XI, Gray (includes items 2 through 26)	1
2	1010434	Barrel - Plastic	11
3	1014902	U-Bolt	2
4	101705701	Decal, Warning	1
5	1017235	Bumper, Jounce	2
6	102296530	Screw - M6 X 1.0 X 30 Sems	4
7	102298720	Screw, M8-1.25x20, Taptite	12
8	102298745	M8-1.25x45 Taptite	8
9	102531001	Handrail Weldment, Rear Seat	1
10	102531402	Footdeck, 4-Passenger, Black	1
11	102531502	Cover- 4 Pass W/canopy	1
12	102534201	Bolt - Fl Hd, M8 X 95	4
13	102534801	Jounce Bumper Bracket	2
14	102541425	Bolt, M6x1.0x25, Hex Flhd, Blk-l	6
15	102573101	Bracket, 4-pass Lower Seat	2
16	102584701	Weld, 4-pass Footdeck-a	1
17	102584801	Weld, 4-pass Footdeck-b	1
18	103624601	Weldment, Spt, 4pass, Drv	1
19	103624602	Weldment, Spt, 4pass, Pas	1
20	103653001	Angle, Strut, Tie	1
21	103742303	Asm, Rear Leaf Spring, 4-Passenger	2
22	103853124	Asm, Seat Back, Gray, Service Replacement	1
23	103866901	Restraint-lh 4pass Hip	1
24	103866902	Restraint-rh 4pass Hip	1
25	103922401	Floor mat, 4-pass, Rear	1
26	105101224	Service, Gray, 4pass Rear Btm	1

1
G
E

1
G
E



G-141199-000002

5-PANEL MIRROR

ITEM	PART NO.	DESCRIPTION	QTY
		1 2 3 4	
1	105288901	Mirror Kit, Wink (includes items 2 through 6)	1
2	105313801	Brkt, Mirror, 5 Panel, Mtg	2
3	332	Washer, 1/4 Type A Narrow Flat	8
4	7311	Screw, 1/4-20 X 2.00 Hex-Head Cap	2
5	8233	Locknut, 1/4-20, Nylon Insert	2
6	AM10092	ICS 5-Panel Mirror	1

1
G
E

1

G

E

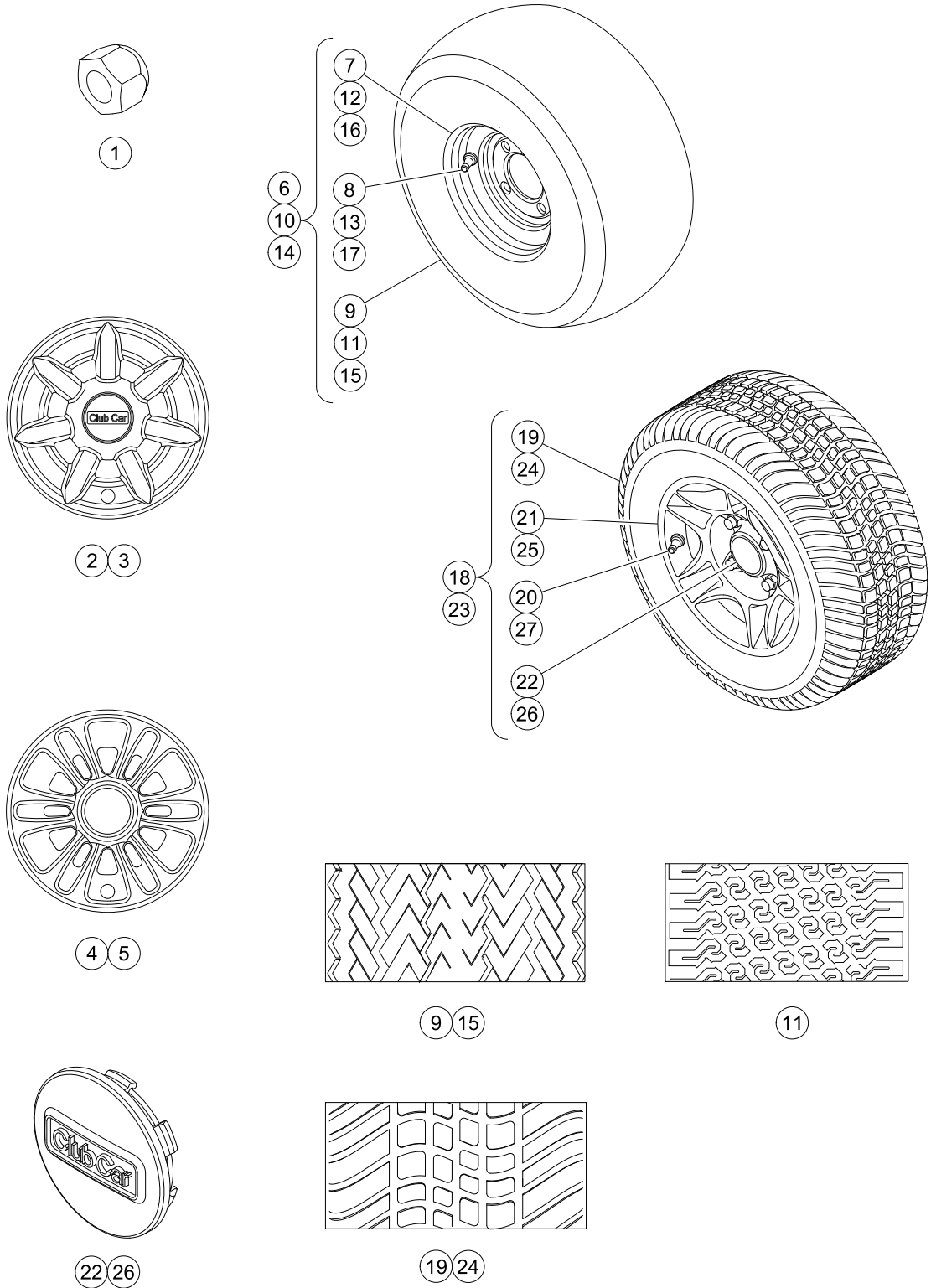
WHEELS AND TIRES

2

G

E

2
G
E



G-090099-000001

WHEELS AND TIRES

ITEM	PART NO.	DESCRIPTION	QTY
		1 2 3 4	
1	1010984	.500-20 Unf Lug Nut	16
2	102559901	Hub Cap Kit (includes item 3)	1
3	103694501	Hub Cap, 7 Prong	4
4	102559902	Kit, Wheel Cover, 12 Spk (includes item 5)	1
5	105142401	Wheel Cover, 12 Spk, 8", Slvr	4
6	103951001	Assembly, Silver Wheel Kenda, Hn1 4ply (includes items 7 through 9)	4
7	103459104	Wheel Rim, 8"x7", Silver, Std	1
8	7310	Valve Stem, Black Plastic	1
9	AM10682	Unmounted Prem Tire 18x8.50x8	1
10	103951002	Assembly, Silver Wheel Kenda, X/t 6ply (includes items 11 through 13)	4
11	102569302	Tire, Kenda, 18x8.5-8, 6-ply Xtr	1
12	103459104	Wheel Rim, 8"x7", Silver, Std	1
13	7310	Valve Stem, Black Plastic	1
14	103951007	Assembly, Silver Wheel Kenda, Radial (includes items 15 through 17)	4
15	102569311	Tire, Kenda, 18x8.5 R8, 4-ply	1
16	103459104	Wheel Rim, 8"x7", Silver, Std	1
17	7310	Valve Stem, Black Plastic	1
18	47605157001	Wheel Assy, 10", 5 Spoke (includes items 19 through 22)	4
19	102556701	Tire, Pro Tour, 205-50 X 10	1
20	103832401	Valve Stem With Cap, Chrome	1
21	47597567001	Rim, Aluminum 10x6, 5 Spoke	1
22	47603573001	Cap, Center	1
23	47605157003	Assembly, Black Wheel, 10" AL, 5 Spoke, ProT (includes items 24 through 27)	4
24	102556701	Tire, Pro Tour, 205-50 X 10	1
25	47597567002	Rim, AL, 10x6, 5 Spoke, BLK	1
26	47603573002	Cap, Center, BLK	1
27	7310	Valve Stem, Black Plastic	1

2
G
E

2

G

E

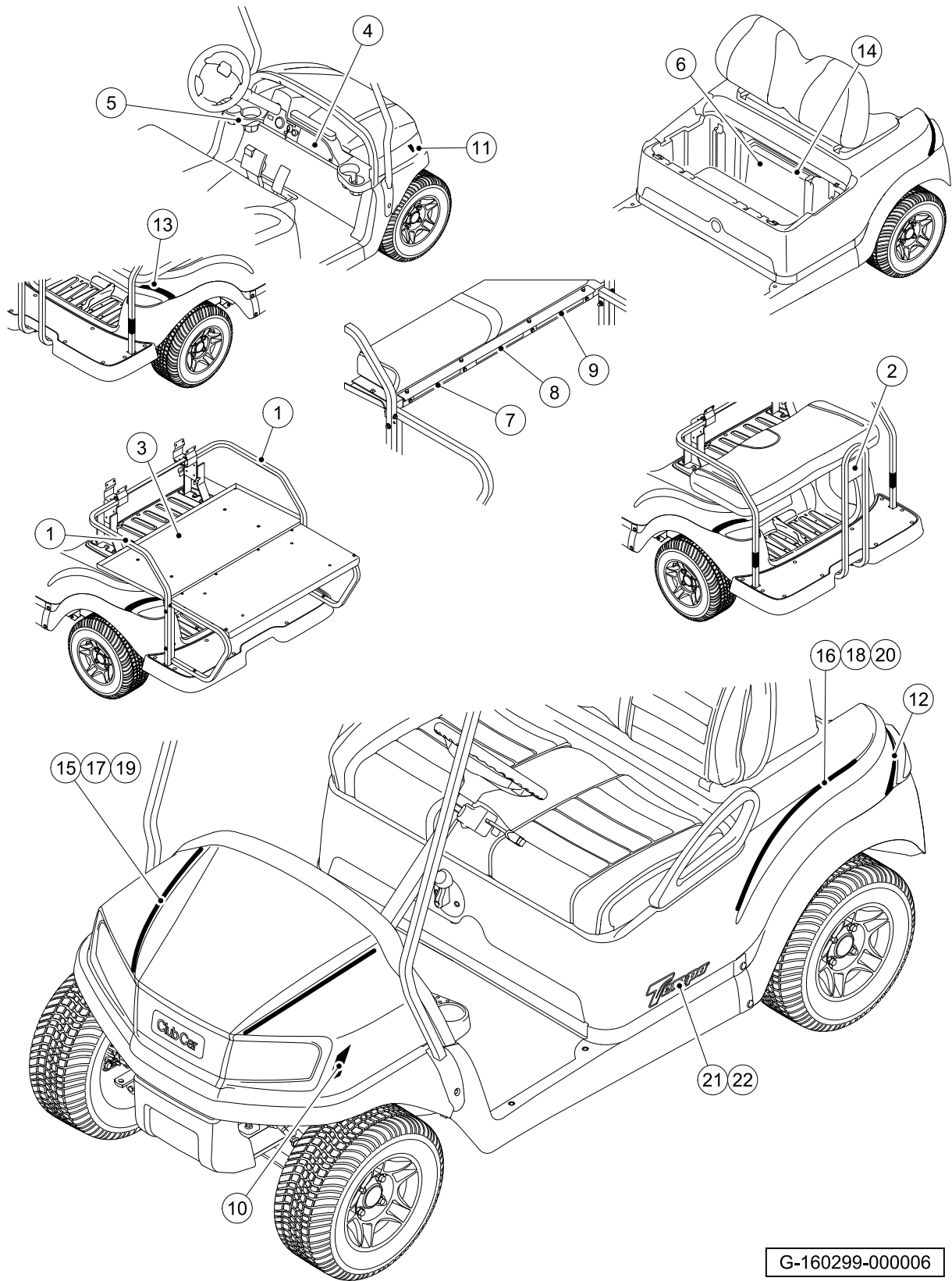
DECALS

3

G

E

3
G
E



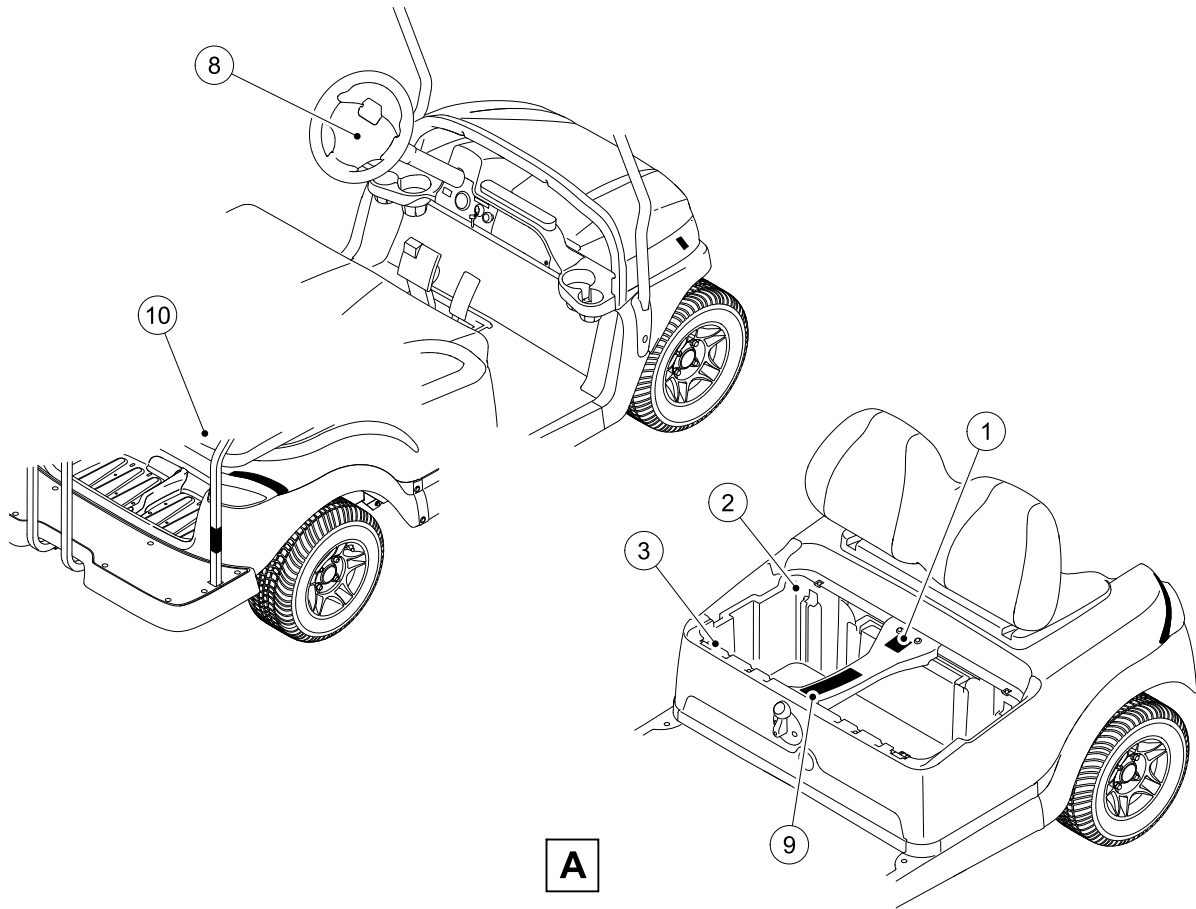
G-160299-000006

DECALS – PAGE 1 OF 2

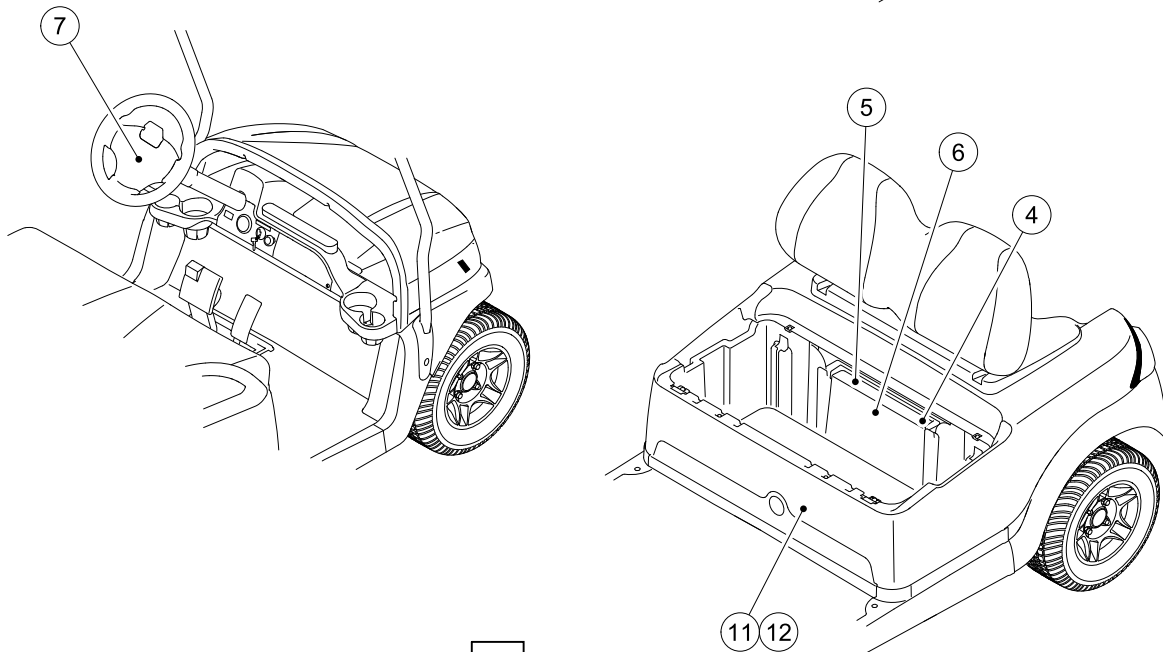
ITEM	PART NO.	DESCRIPTION	QTY
		1 2 3 4	
1	101609401	Decal, Crush Area Warning	A/R
2	101705701	Decal, Warning	A/R
3	101972001	Decal, D.s. Box Bed Warning (for vehicles with bed box option)	A/R
4	102519301	Decal, Warning, Rollover	A/R
5	102555901	Decal, Private Speed	A/R
6	103384601	Decal-water Exposure	A/R
7	105267301	Decal, Warn, Fld L	A/R
8	105267401	Decal, Warn, Fld M	A/R
9	105267501	Decal, Warn, Fld R	A/R
10	47583296001	Reflector, Front, Csmr, Driver-side	A/R
11	47583296002	Reflector, Front, Csmr, Passenger-side	A/R
12	47583297001	Reflector, Rear, Csmr, Driver-side	A/R
13	47583297002	Reflector, Rear, Csmr, Passenger-side	A/R
14	47586191001	Decal, Compliance, Mirrors	A/R
15	47614573001	Stripe, Accent, Gold, Front	A/R
16	47614573002	Stripe, Accent, Gold, Rear	A/R
17	47614573003	Stripe, Accent, Black, Front	A/R
18	47614573004	Stripe, Accent, Black, Rear	A/R
19	47614573005	Stripe, Accent, Silver, Front	A/R
20	47614573006	Stripe, Accent, Silver, Rear	A/R
21	47623580001	Decal, Tempo, Gold	A/R
22	47623580002	Decal, Tempo, Silver	A/R

3
G
E

3
G
E



A



B

G-160299-000007

DECALS – PAGE 2 OF 2

ITEM	PART NO.	DESCRIPTION	QTY
		1 2 3 4	
1	101960501	Decal, Rotating Parts/Hot Manifold	A/R
2	102517901	Decal, Warning - Frame Ground	A/R
3	103205501	Decal, Maintenance/Operate Switch	A/R
4	103384601	Decal-water Exposure	A/R
5	103384701	Decal-warning, Short	A/R
6	103384801	Decal, Warning, RUN/TOW	A/R
7	103783001	Decal, Op Instr, Ele	A/R
8	103783002	Decal, Op Instr, Gas Ps	A/R
9	105067501	Decal, Warn - Gas/gov	A/R
10	105070501	Decal, Gas, Rotating Parts/Hot Muffler	A/R
11	47655585001	Decal, Charger Cord, JCI Batteries	A/R
12	47655585002	Decal, Charger Cord, Trojan T875 Batteries	A/R
		<p>Note: View A applies to gasoline vehicles only. View B applies to electric vehicles only.</p>	

3
G
E

3

G

E

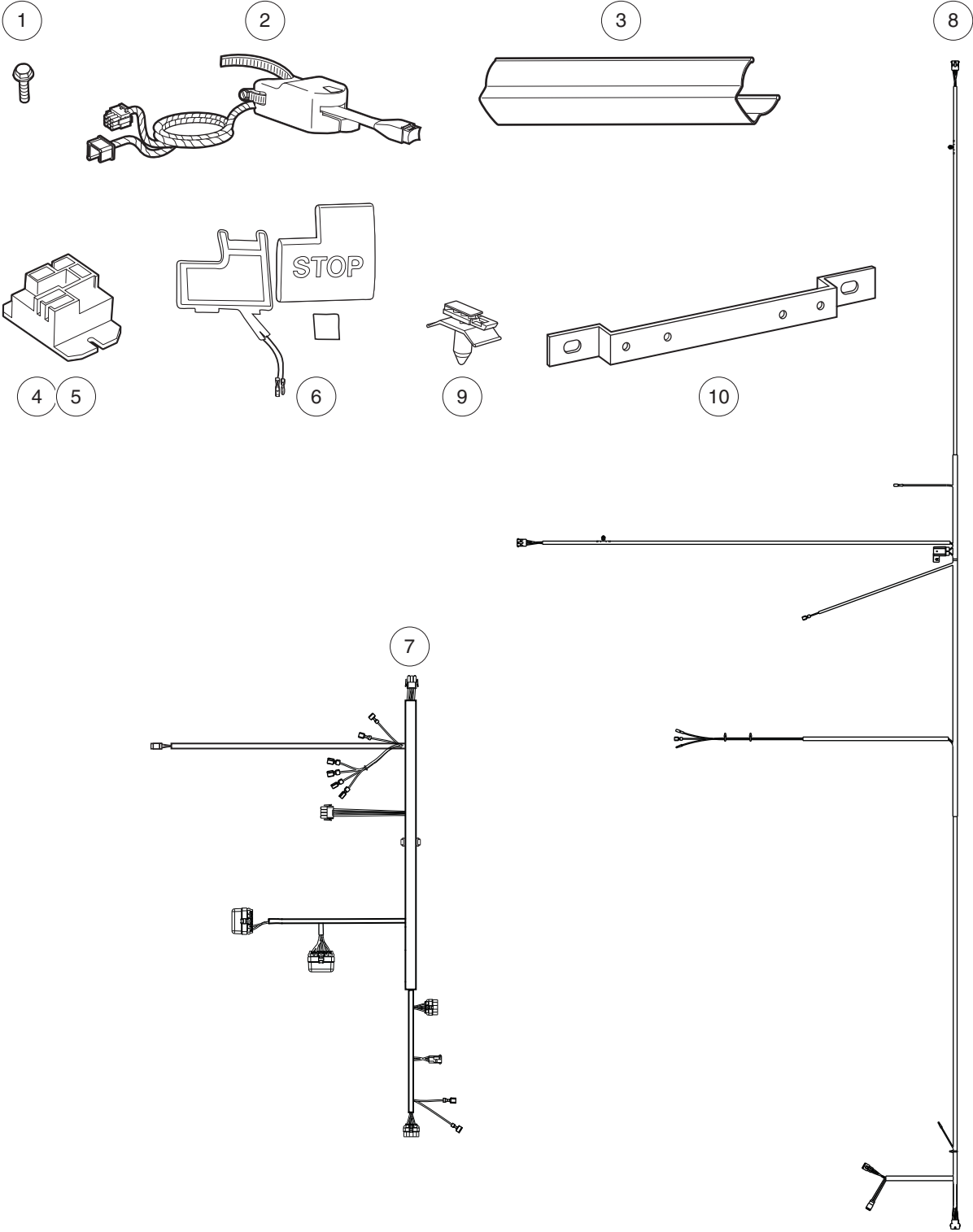
LIGHTS, CONTROLS AND INDICATORS

4

G

E

4
G
E



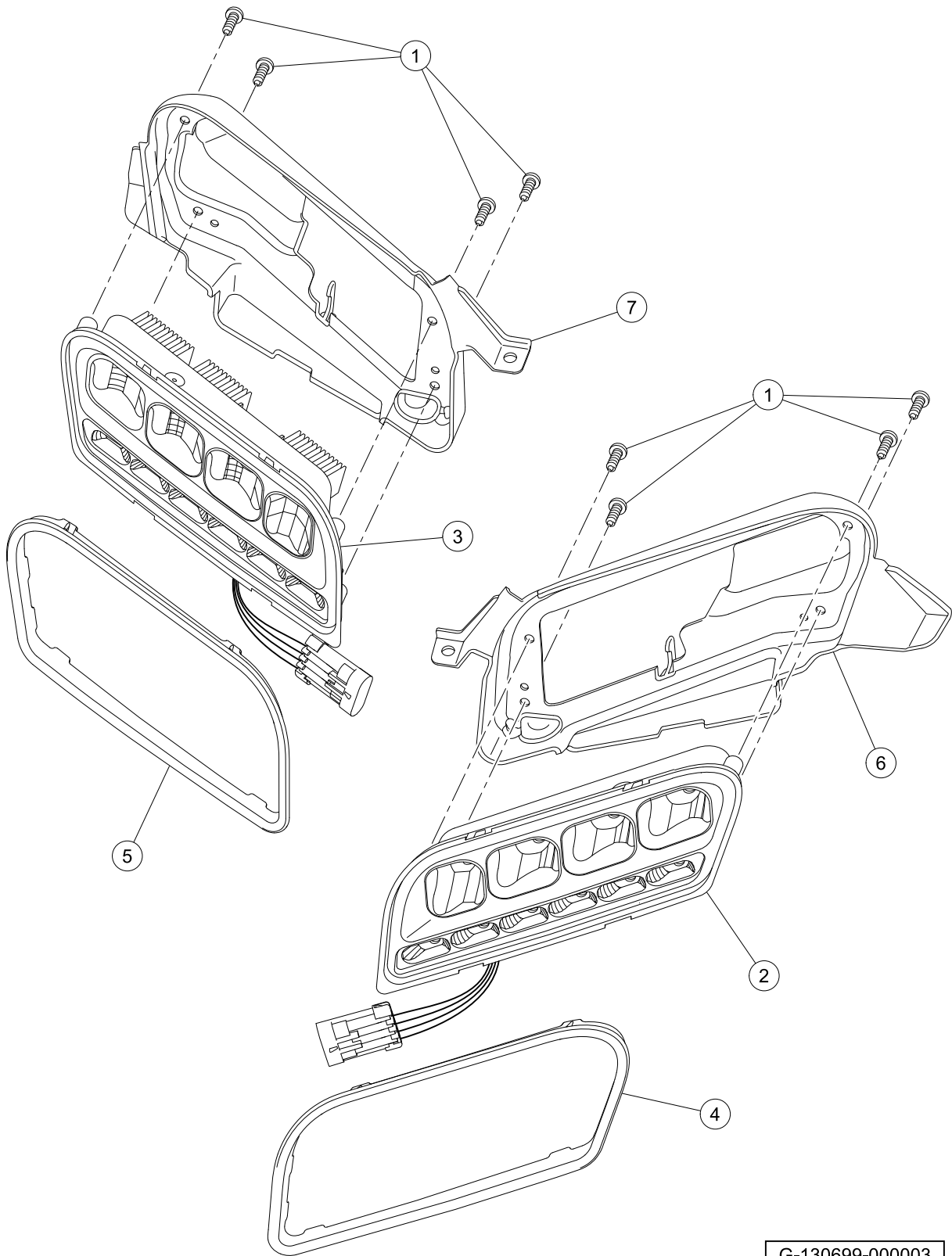
001387-002

LIGHTING SYSTEM COMPONENTS

ITEM	PART NO.	DESCRIPTION	QTY
		1 2 3 4	
1	102298720	Screw, M8-1.25x20, Taptite	3
2	102517501	Turn Signal Asm	1
3	102529201	Wire Cover, Steering Column	1
4	103414901	Kit, Relay, 48v 30a W/instr (includes item 5)	1
5	103397901	Relay, Spst No, 48v 30a, Pmt	1
6	103597101	Kit, Brake Light Switch	1
7	47562746001	Harness, Wire, Instrument Panel for Lights, Ele	1
8	47574837001	Harness, Lighting	1
9	N/A	Clip, Mount, Conn	2
10	47580172001	Bracket, Mount, Fuse	1

4
G
E

4
G
E



G-130699-000003

HEADLIGHTS

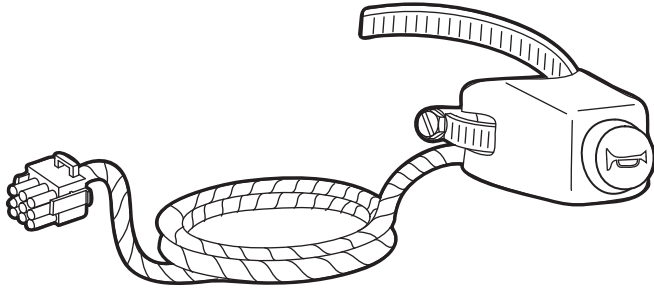
ITEM	PART NO.	DESCRIPTION	QTY
		1 2 3 4	
1	102296020	Screw-torx Pan Head Pt, M6x20	10
2	47565234007	Asm, Headlight, Led, Lh, Sp	1
3	47565234008	Asm, Headlight, Led, Rh, Sp	1
4	47593001001	Bezel, Headlight, Lh	1
5	47593001002	Bezel, Headlight, Rh	1
6	47593002001	Housing, Headlight, Driver	1
7	47593002002	Housing, Headlight, Passenger	1

4
G
E

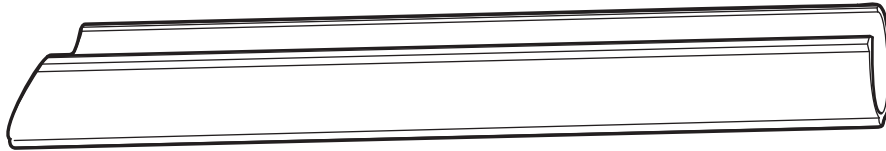
4

G

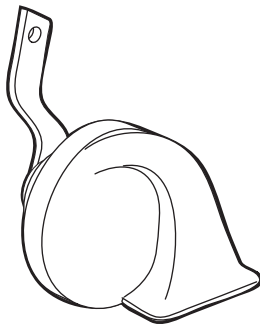
E



1



2



3

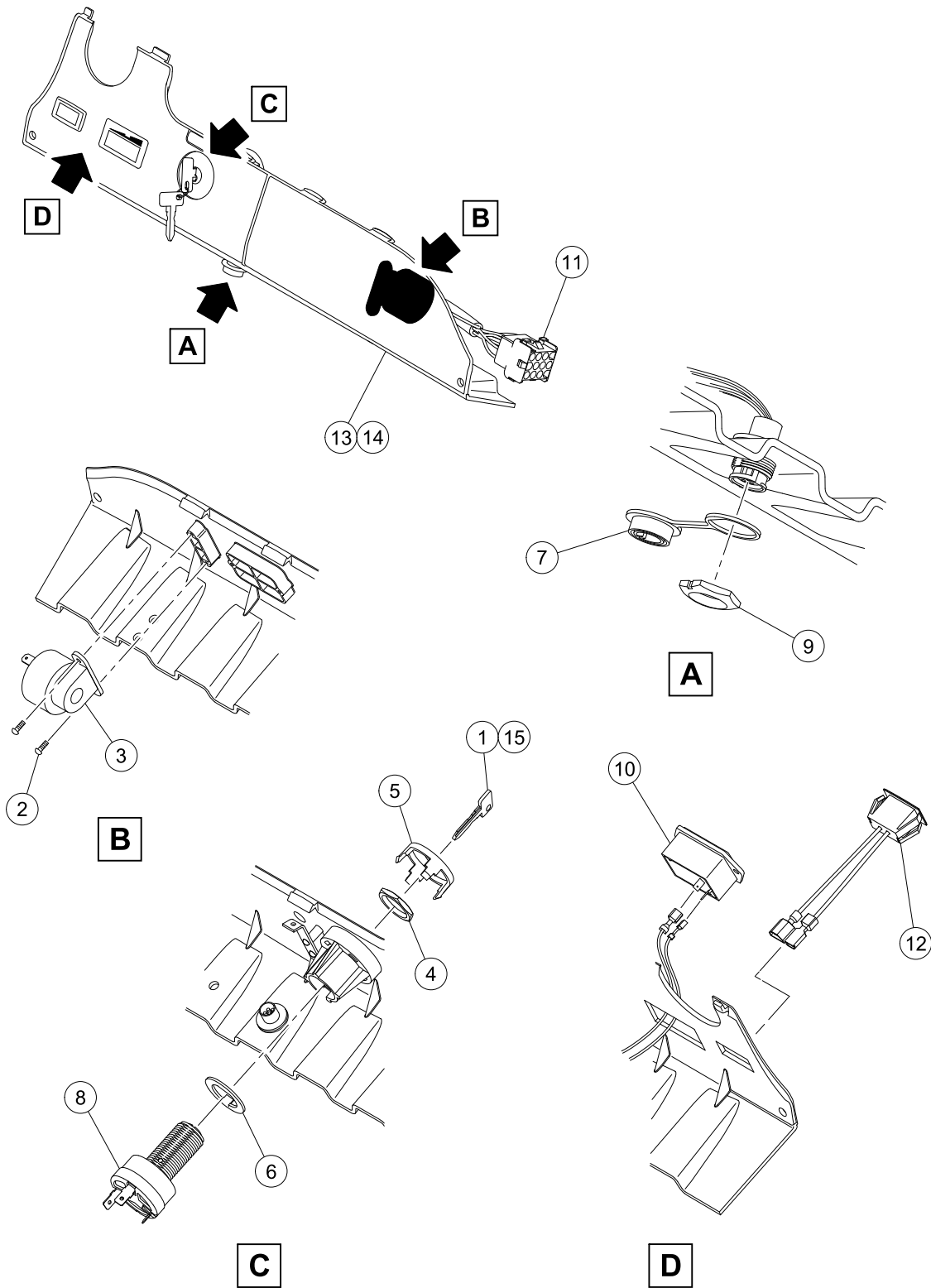
001343-001

HORN

ITEM	PART NO.	DESCRIPTION	QTY
1	102517601	1 2 3 4 Subasm, Horn Button Harness	1
2	102529201	Wire Cover, Steering Column	1
3	102535401	Horn	1

4
G
E

4
G
E



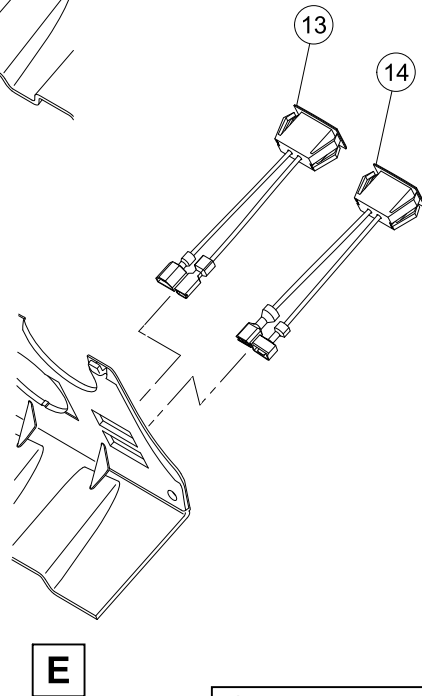
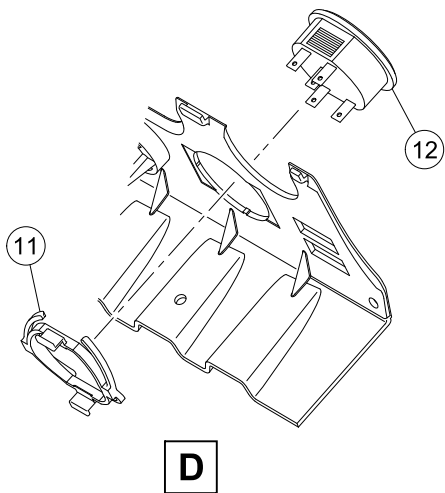
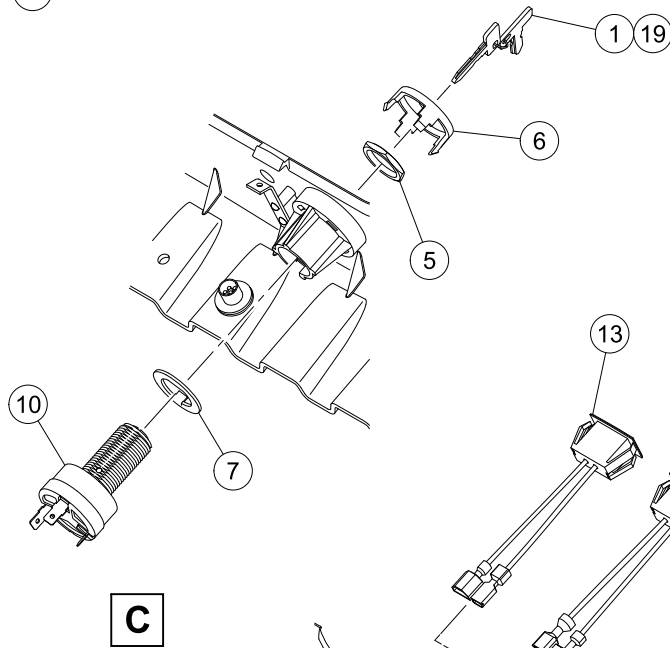
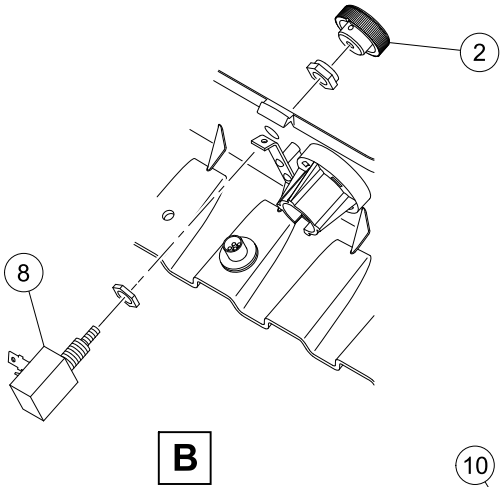
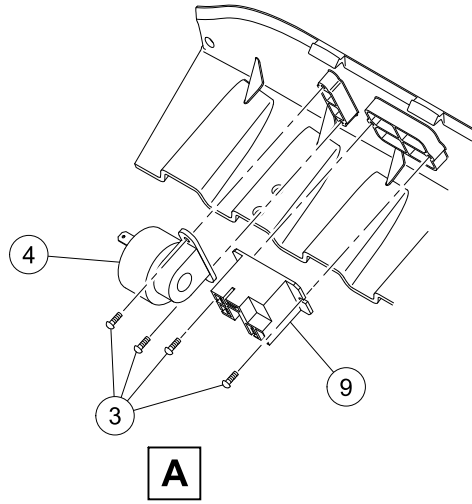
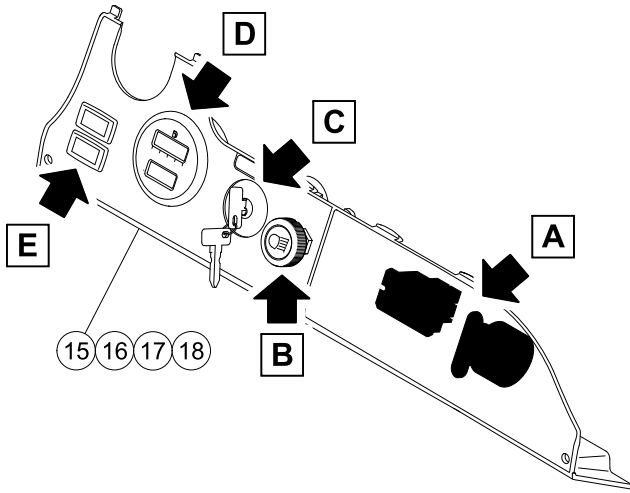
G-130599-000005

INSTRUMENT PANEL – ELECTRIC VEHICLE WITH ERIC CHARGER

ITEM	PART NO.	DESCRIPTION	QTY
		1 2 3 4	
1	1012505	Keys (set of 2)	1
2	1016849	Screw, #4-24 X 0.33, Pan-Head, Machine	2
3	1016851	Multi-Purpose Buzzer (9-48 VDC)	1
4	101830701	Nut, Key Switch	1
5	101834502	Cap, Black Key Switch	1
6	101851101	Washer, Key Switch	1
7	102196901	Dust Cap	1
8	102508601	Key Switch, Electric	1
9	102572401	Nut, Diagnostic Port	1
10	103200701	Battery Condition Indicator - 48V	1
11	103991501	Harness, Wire, Instrument Panel, w/Hi-Freq	1
12	105152301	Indicator, Charger, Dash, Cap	1
13	47613414003	Instrument Panel (Punched Headlight)	1
14	47613414009	Instrument Panel (Headlight Switch and Battery Condition Indicator)	1
15	AM10079	Bulk Std Keys (50) *	1
		* Note: Must order in multiples of 50.	

4
G
E

4
G
E



G-130599-000004

INSTRUMENT PANEL – ECH440 GAS VEHICLE

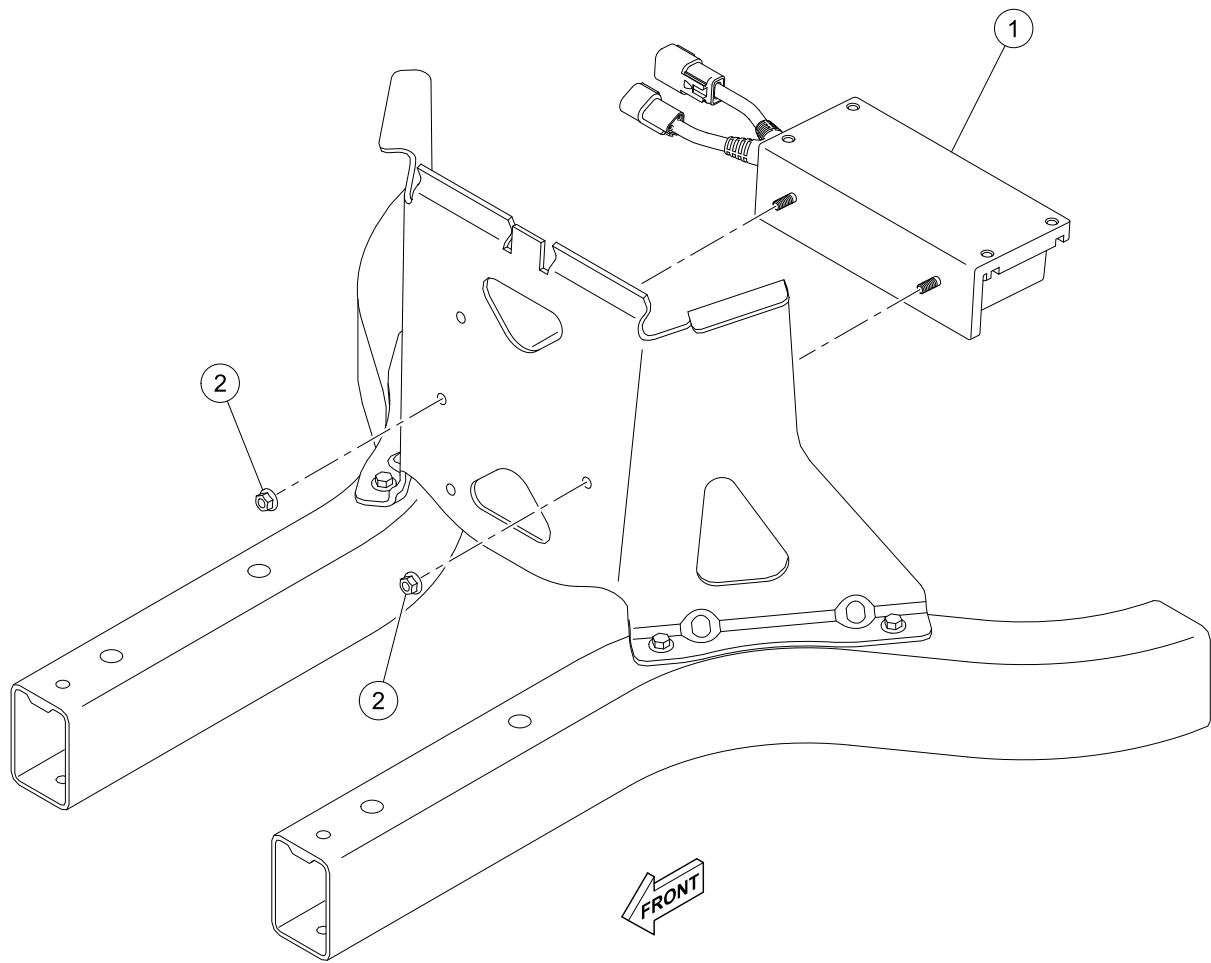
ITEM	PART NO.	DESCRIPTION	QTY
		1 2 3 4	
1	1012505	Keys (set of 2)	1
2	1013857	Knob, Light Switch	1
3	1016849	Screw, #4-24 X 0.33, Pan-Head, Machine	4
4	1016851	Multi-Purpose Buzzer (9-48 VDC)	1
5	101830701	Nut, Key Switch	1
6	101834502	Cap, Black Key Switch	1
7	101851101	Washer, Key Switch	1
8	102051901	Switch, Light	1
9	102199001	Relay, 12-Volt	1
10	102515101	Key Switch, Gas	1
11	103348201	Clip, Meter, Round	1
12	103348602	Gauge, Fuel-hour,sep Gnd, Ds	1
13	105037101	Light, Oil (LED)	1
14	47598441001	Light, Dash, Led, Mil	1
15	47613414002	Panel, Punched, Mil Light	1
16	47613414005	Panel, Punched, Mil Hdlt	1
17	47613414006	Panel, Punched, Mil Fuel	1
18	47613414007	Panel, Punched, Mil Hdlt Fuel	1
19	AM10079	Bulk Std Keys (50) *	1
		* Note: Must order in multiples of 50.	

4
G
E

4

G

E



G-130299-000001

DC CONVERTER – ELECTRIC VEHICLE

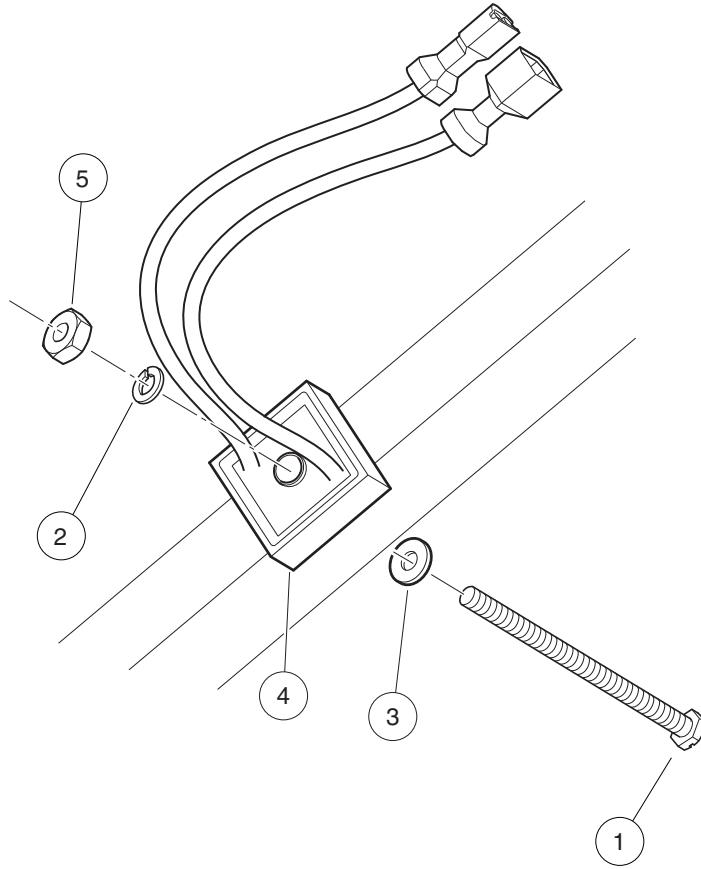
ITEM	PART NO.	DESCRIPTION	QTY
1	47594727001	1 2 3 4 Converter, Dc/dc	1
2	96704176	Nut, Flanged, M6 X 1, Serrated	2

4

G

E

4
G
E



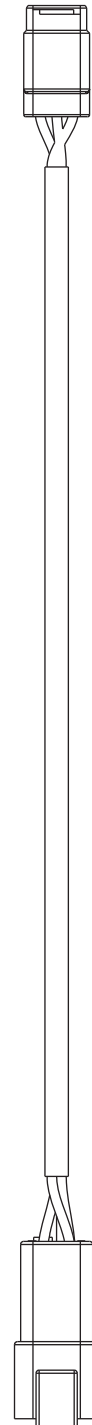
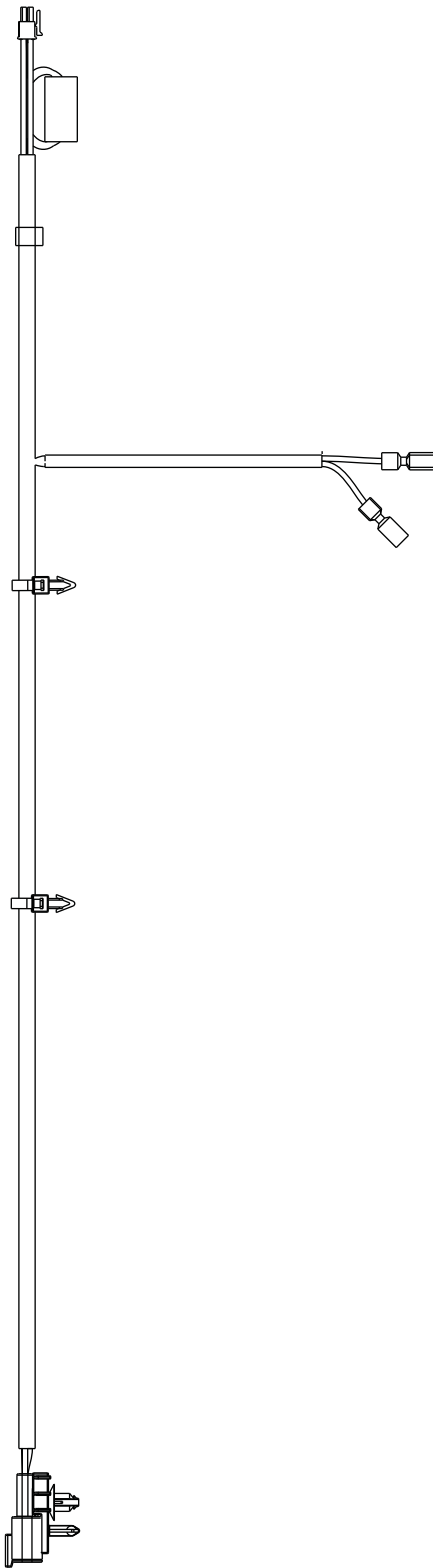
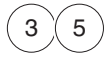
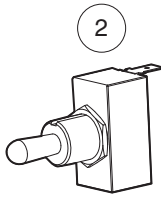
001365-002

VOLTAGE LIMITER – GASOLINE VEHICLE

ITEM	PART NO.	DESCRIPTION	QTY
		1 2 3 4	
1	1010909	Screw, #10-32 X 1.25 Rd Hd Mch	1
2	1016	Lockwasher, #10 Split	1
3	183	Washer, #10, Type A, Flat	1
4	47604303001	Voltage Limiter, Gas	1
5	7893	Nut, #10-32 Hex	1

4
G
E

4
G
E



001439-001

WIRING AND SWITCH – VISAGE

ITEM	PART NO.	DESCRIPTION	QTY
		1 2 3 4	
1	101908401	Boot, Switch	1
2	102511101	Switch, Tow	1
3	47554735001	Harness, Visage, Console, Gas	1
4	47554736001	Harness, Visage, Strut, G/e	1
5	47555612001	Harness, Visage, Console, Elec	1
6	47557751001	Harness, Interface, Visage	1

4

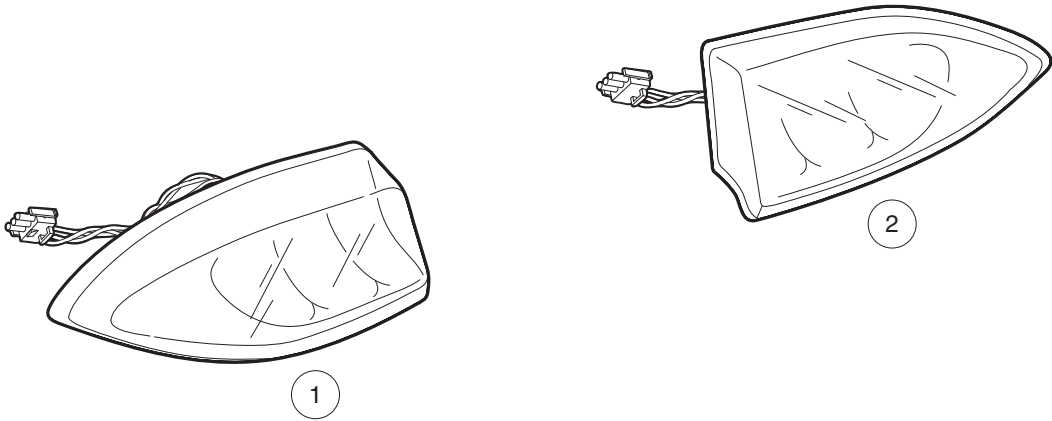
G

E

4

G

E



001340-001

TAILLIGHTS

ITEM	PART NO.	DESCRIPTION	QTY
1	102528901	1 2 3 4 Taillight, Driver-side	1
2	102529001	Taillight, Passenger-side	1

4
G
E

4

G

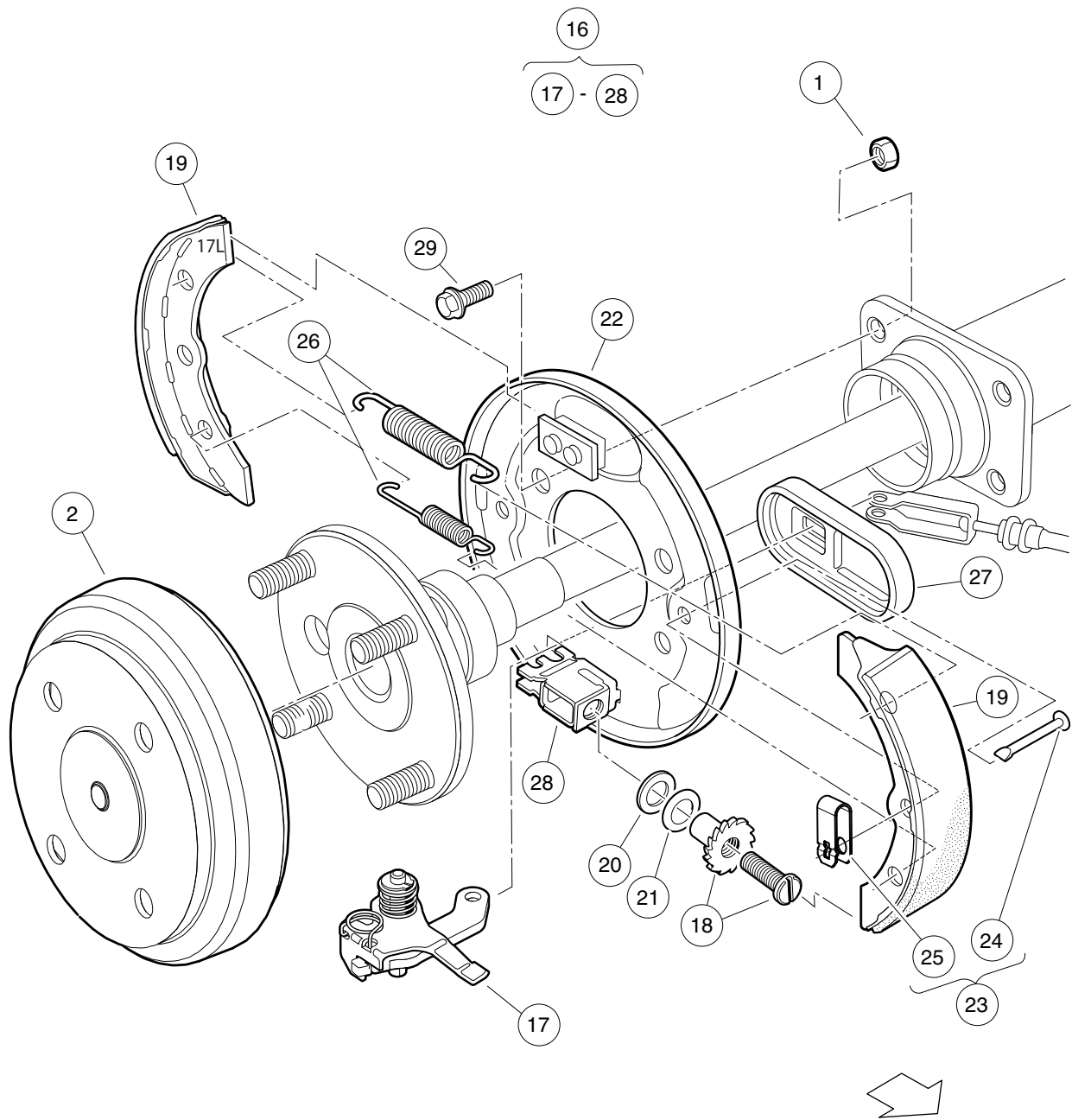
E

BRAKES AND PEDAL GROUP ASSEMBLIES

5

G

E



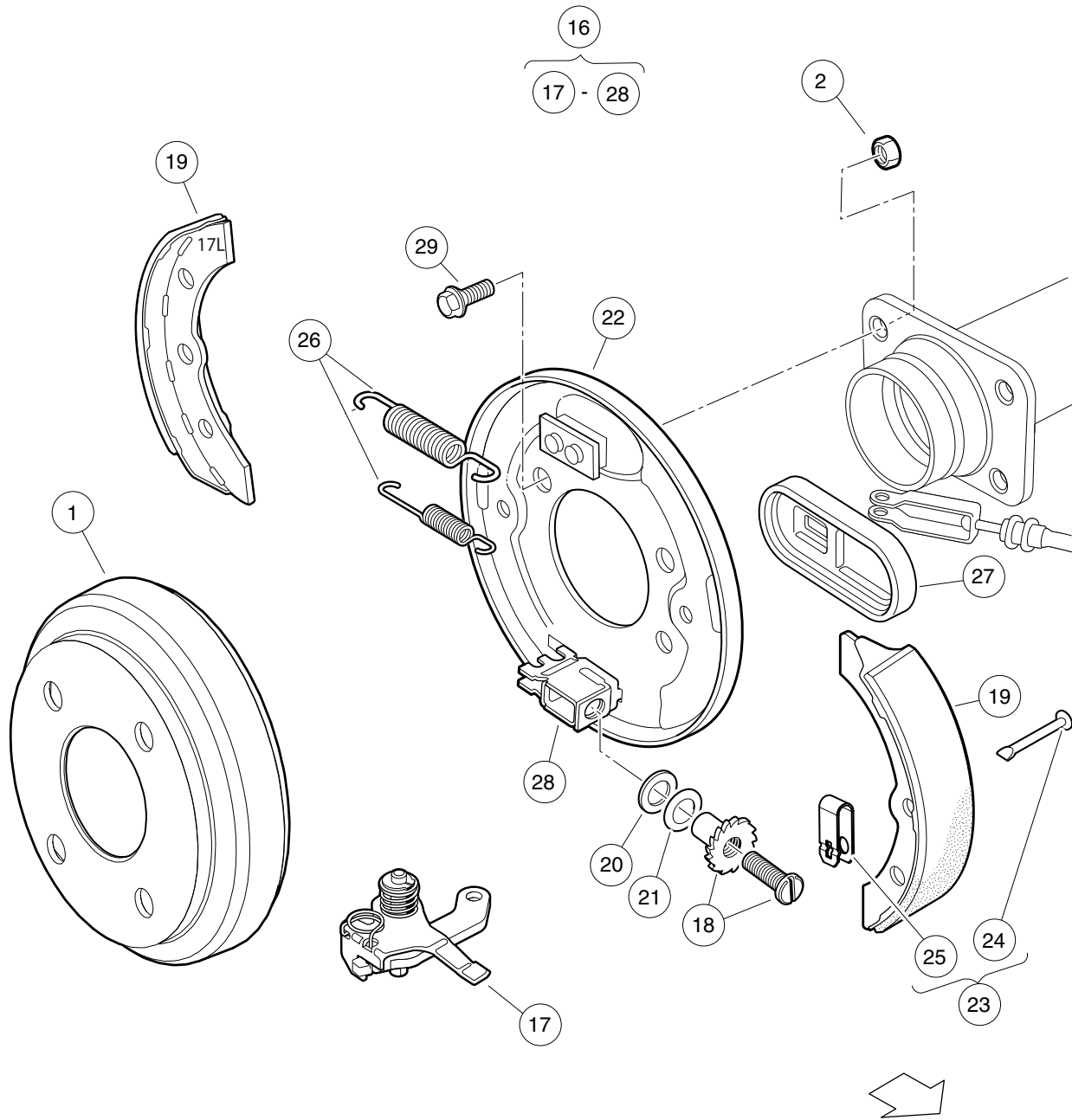
000186-006

REAR BRAKES, SELF-ADJUSTING

ITEM	PART NO.	DESCRIPTION	QTY
		1 2 3 4	
1	1013924	Nut, 5/16-24, Hex Head Cone	8
2	101791101	Drum without Center Hole, Brake	2
3	103380201	Asm, Brake Cluster, Mech, Drvr (includes items 4 through 15)	1
4	101815502	Lever Assembly, Self-Adjusting Brake, Left	1
5	101816502	Adjusting Mechanism, Self-Adjusting Brake, Left	1
6	101823201	Package, Brake Shoe, Self-Adjusting	1
7	101823801	Plate, Washer, Brake, Self-Adjusting	1
8	101823901	Washer, Brake, Self-Adjusting	1
9	103483102	Backing Plate, Driver-side	1
10	103483201	Kit, Shoe Retainer (includes items 11 and 12)	1
11	N/A	Pin	2
12	N/A	Spring, Shoe, Clamp	2
13	103483401	Package Brake Spring Self Adj	1
14	103483601	Cover, Dust	1
15	103483701	Brake Block	1
16	103380202	Asm, Brake Cluster, Mech, Pass (includes items 17 through 28)	1
17	101815501	Lever Assembly, Self-Adjusting Brake, Right (Passenger)	1
18	101816501	Adj Mechanism, S.A. Brakes, Right (Passenger)	1
19	101823201	Package, Brake Shoe, Self-Adjusting	1
20	101823801	Plate, Washer, Brake, Self-Adjusting	1
21	101823901	Washer, Brake, Self-Adjusting	1
22	103483101	Backing Plate, Passenger-side	1
23	103483201	Kit, Shoe Retainer (includes items 24 and 25)	1
24	N/A	Pin	2
25	N/A	Spring, Shoe, Clamp	2
26	103483401	Package Brake Spring Self Adj	1
27	103483601	Cover, Dust	1
28	103483701	Brake Block	1
29	47542195001	Bolt, Brake Cluster Mnt	8
		Note: Driver-side brake cluster not shown. Components have a similar appearance to passenger-side brake cluster components.	

5
G
E

5
G
E

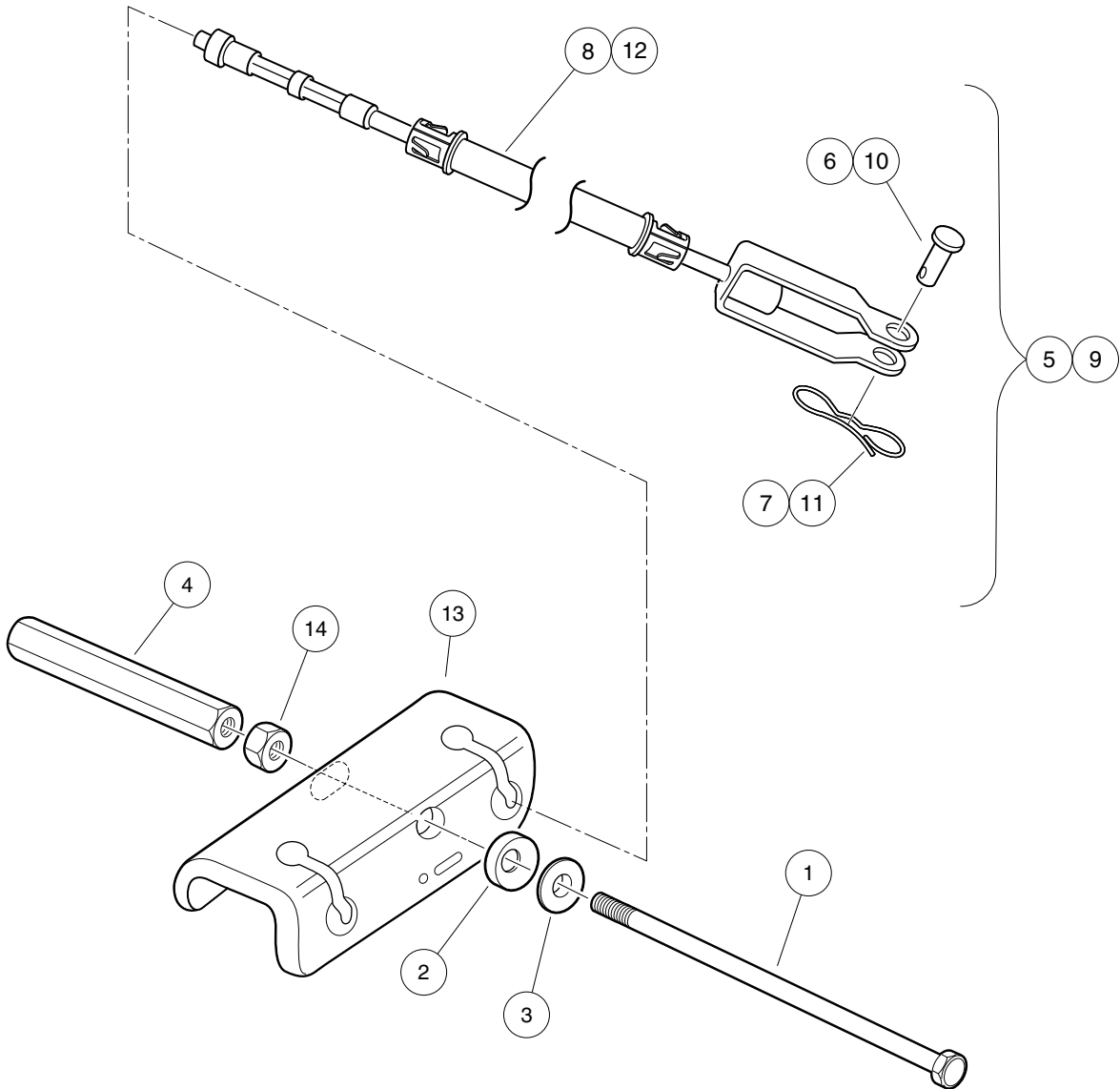


000186-007

REAR BRAKES, SELF-ADJUSTING – GASOLINE VEHICLES

ITEM	PART NO.	DESCRIPTION	QTY	
		1 2 3 4		5
1	1011137	Drum, Brake	2	G
2	1013924	Nut, 5/16-24, Hex Head Cone	8	E
3	103380201	Asm, Brake Cluster, Mech, Drvr (includes items 4 through 15)	1	
4	101815502	Lever Assembly, Self-Adjusting Brake, Left	1	
5	101816502	Adjusting Mechanism, Self-Adjusting Brake, Left	1	
6	101823201	Package, Brake Shoe, Self-Adjusting	1	
7	101823801	Plate, Washer, Brake, Self-Adjusting	1	
8	101823901	Washer, Brake, Self-Adjusting	1	
9	103483102	Backing Plate, Driver-side	1	
10	103483201	Kit, Shoe Retainer (includes items 11 and 12)	1	
11	N/A	Pin	2	
12	N/A	Spring, Shoe, Clamp	2	
13	103483401	Package Brake Spring Self Adj	1	
14	103483601	Cover, Dust	1	
15	103483701	Brake Block	1	
16	103380202	Asm, Brake Cluster, Mech, Pass (includes items 17 through 28)	1	
17	101815501	Lever Assembly, Self-Adjusting Brake, Right (Passenger)	1	
18	101816501	Adj Mechanism, S.A. Brakes, Right (Passenger)	1	
19	101823201	Package, Brake Shoe, Self-Adjusting	1	
20	101823801	Plate, Washer, Brake, Self-Adjusting	1	
21	101823901	Washer, Brake, Self-Adjusting	1	
22	103483101	Backing Plate, Passenger-side	1	
23	103483201	Kit, Shoe Retainer (includes items 24 and 25)	1	
24	N/A	Pin	2	
25	N/A	Spring, Shoe, Clamp	2	
26	103483401	Package Brake Spring Self Adj	1	
27	103483601	Cover, Dust	1	
28	103483701	Brake Block	1	
29	47542195001	Bolt, Brake Cluster Mnt	8	
		Note: Driver-side brake cluster not shown. Components have a similar appearance to passenger-side brake cluster components.		

5
G
E



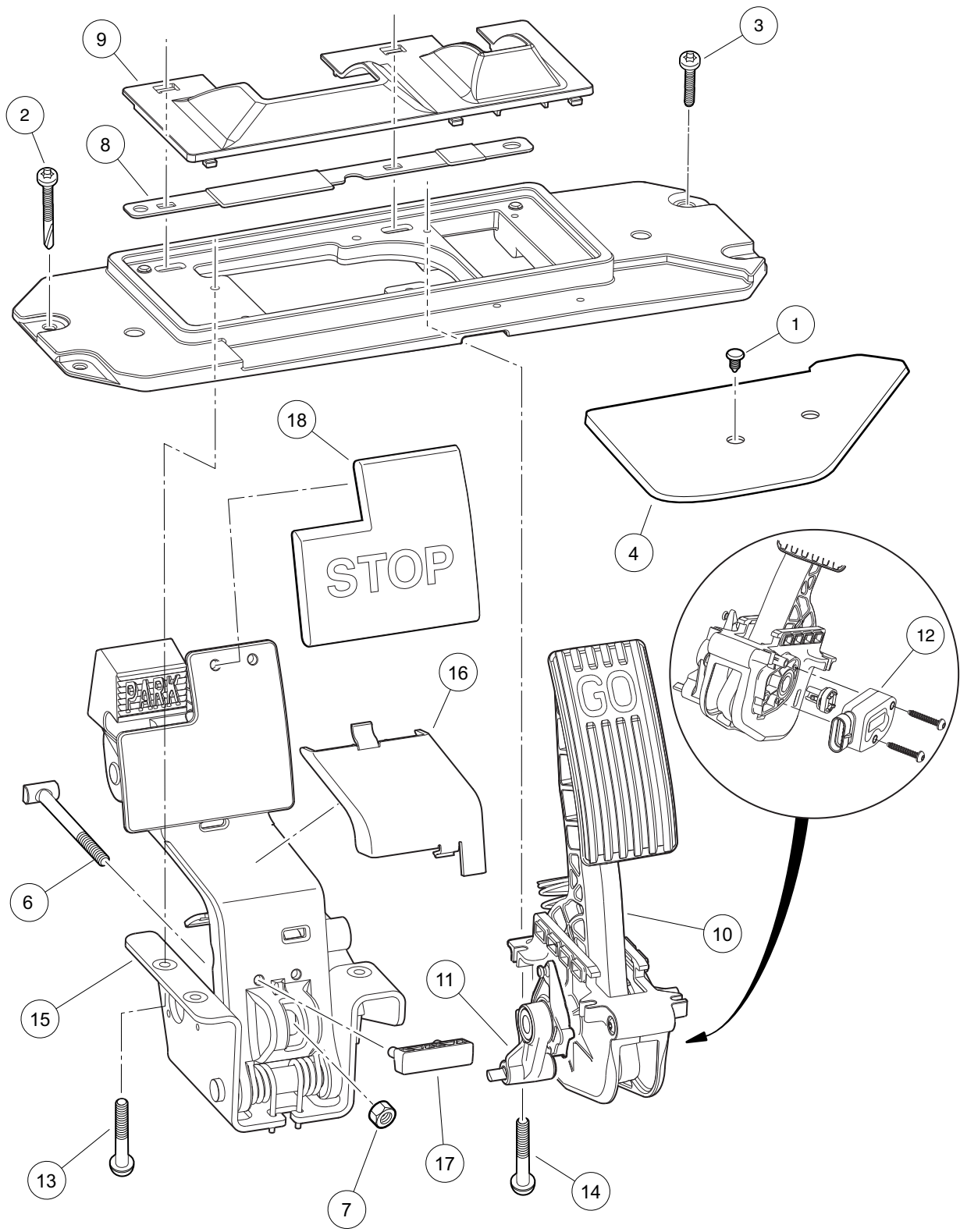
000467-006

BRAKE CABLES AND EQUALIZER BRACKET

ITEM	PART NO.	DESCRIPTION	QTY
		1 2 3 4	
1	102297901	Bolt, 5/16-18 X 7.375, Hex	1
2	102551901	Washer, 5/16, Self Comp, Cup	1
3	102552001	Washer, 5/16, Self Comp, Cone	1
4	102594301	Nut, 5/16-18, Hex Adjusting -l	1
5	103528701	Kit, Brake Cable, Passenger-side (includes items 6 through 8)	1
6	1010829	Pin, Clevis, 5/16 X 3/4	1
7	102292801	Pin, Bow Tie Locking - .072	1
8	N/A	Cable, Brake, Right	1
9	103528702	Kit, Brake Cable, Driver-side (includes items 10 through 12)	1
10	1010829	Pin, Clevis, 5/16 X 3/4	1
11	102292801	Pin, Bow Tie Locking - .072	1
12	N/A	Cable, Brake, Left	1
13	103535001	Bracket, Equalizer	1
14	1242	Nut, 5/16-18 Hex	1

5
G
E

5
G
E



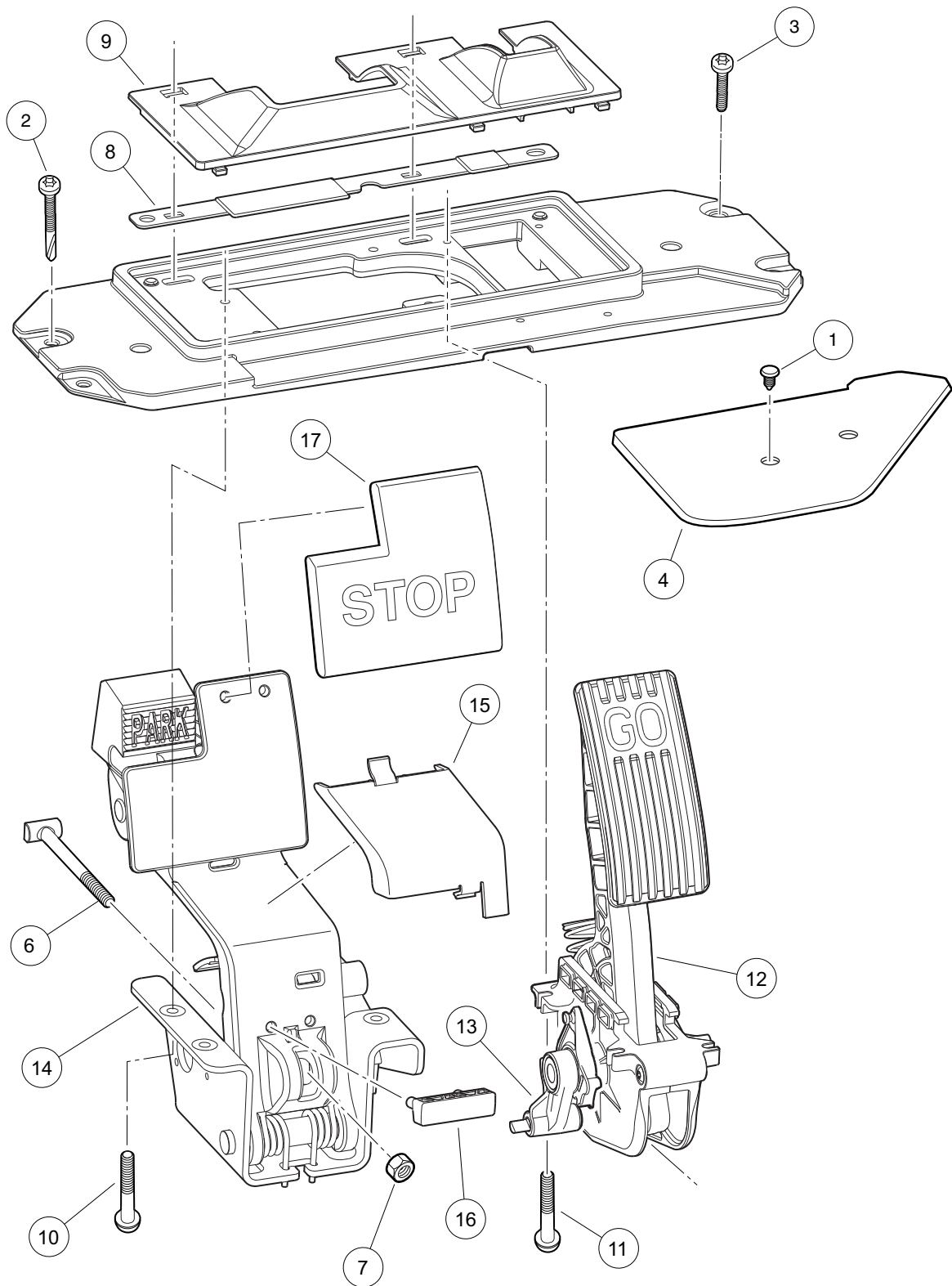
000487-015

PEDAL GROUP WITH SENSOR – GASOLINE VEHICLE

ITEM	PART NO.	DESCRIPTION	QTY
		1 2 3 4	
1	1010434	Barrel - Plastic	1
2	102292201	Screw-1/4-20x2.20 Tx Pn Hd Sd	2
3	102298030	Screw, K80x30, Torx Pn Hd Pt	2
4	102500801	Plate - Floor Cover	1
5	103974815	Asm, Pedal Set, Anodized, Service, Gas Vehicle (includes items 6 through 15)	1
6	102559401	Rod, Brake	1
7	102559701	Nut, Brake Rod	1
8	102594801	Shield, Debris Aux	1
9	102594901	Shield, Debris Primary	1
10	102595502	Asm, Accel. Pedal/Throttle, Anodized, Gas Vehicle (includes items 11 and 12)	1
11	103777601	Asm, Park Brake Release, Anodized	1
12	N/A	Throttle Sensor	1
13	102595901	Screw, M6x1.0x17 Ph, Taptite	4
14	102596001	Screw, M5x0.8x18 Ph, Taptite	4
15	103974901	Asm, Brake Pedal, Anodized (includes items 16 through 18)	1
16	102595201	Cover, Brake	1
17	102595301	Upstop, Brake	1
18	102595401	Pad, Brake	1
<p>Note: Item 5 is not illustrated as a complete assembly. All detail parts are identified in the illustration.</p>			

5
G
E

5
G
E

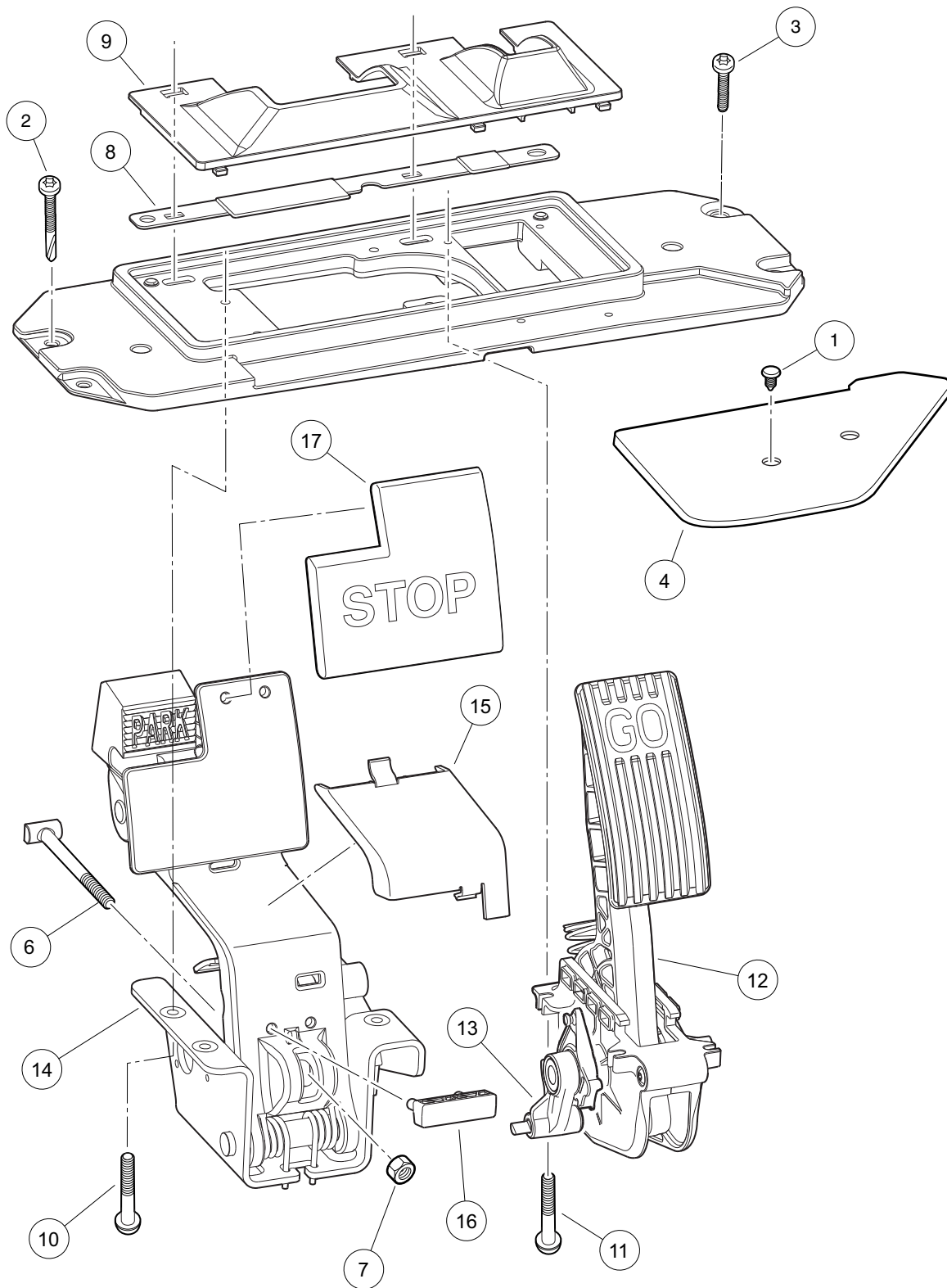


000487-018

PEDAL GROUP W/O SENSOR, GASOLINE VEHICLE

ITEM	PART NO.	DESCRIPTION	QTY	
		1 2 3 4		5
1	1010434	Barrel - Plastic	1	G
2	102292201	Screw-1/4-20x2.20 Tx Pn Hd Sd	2	E
3	102298030	Screw, K80x30, Torx Pn Hd Pt	2	
4	102500801	Plate - Floor Cover	1	
5	103974821	Asm, Pedal, Anodized, Field Service, Gas or Elec (includes items 6 through 14)	1	
6	102559401	Rod, Brake	1	
7	102559701	Nut, Brake Rod	1	
8	102594801	Shield, Debris Aux	1	
9	102594901	Shield, Debris Primary	1	
10	102595901	Screw, M6x1.0x17 Ph, Taptite	4	
11	102596001	Screw, M5x0.8x18 Ph, Taptite	4	
12	102596301	Pedal, Accelerator, Anodized (includes item 13)	1	
13	103777601	Asm, Park Brake Release, Anodized	1	
14	103974901	Asm, Brake Pedal, Anodized (includes items 15 through 17)	1	
15	102595201	Cover, Brake	1	
16	102595301	Upstop, Brake	1	
17	102595401	Pad, Brake	1	
<p>Note: Pedal Assembly (item 5) has no sensor and is common to both gas and electric vehicles. Item 5 is not illustrated as a complete assembly. All applicable details are illustrated.</p>				

5
G
E



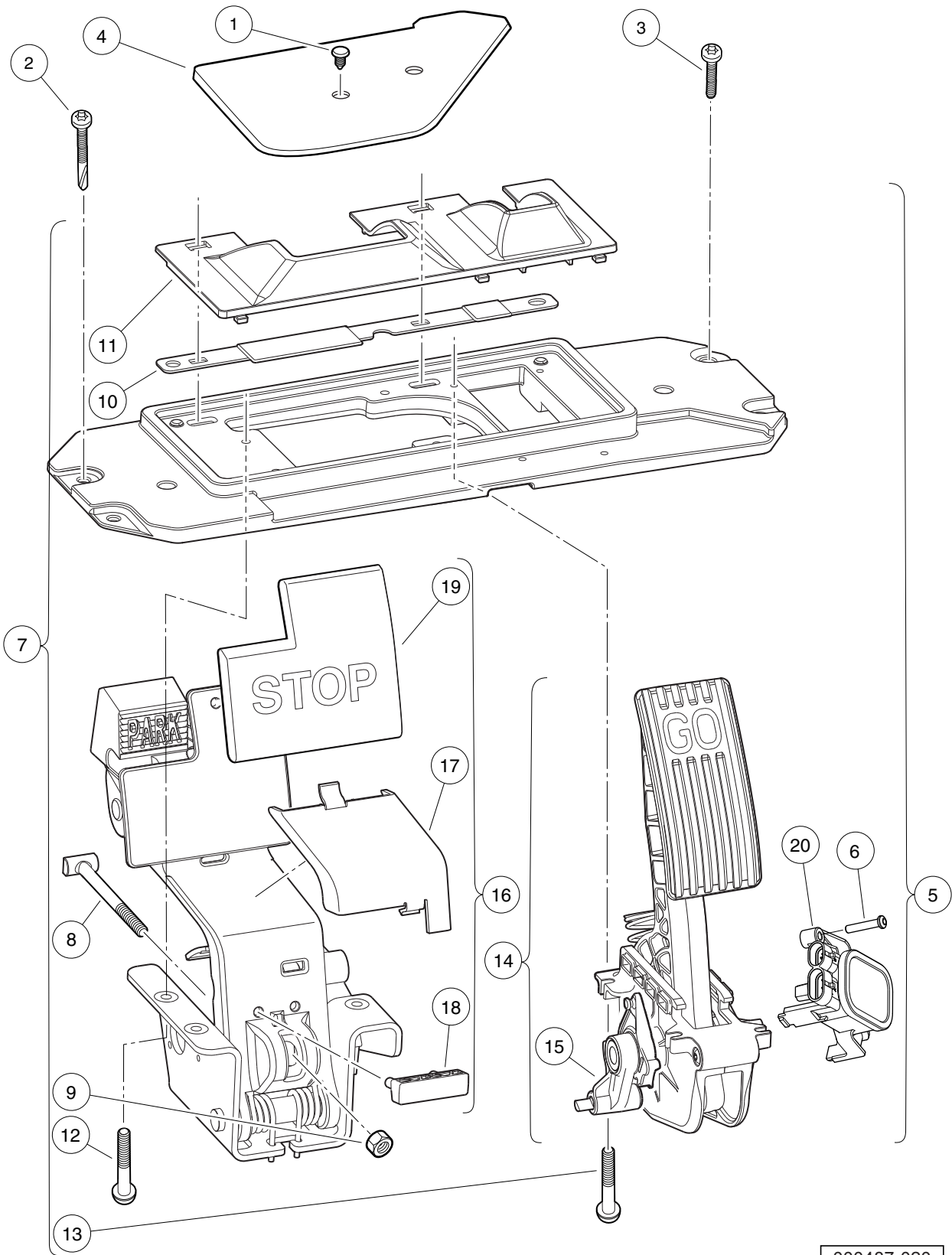
000487-016

PEDAL GROUP W/O MCOR – ELECTRIC VEHICLE

ITEM	PART NO.	DESCRIPTION	QTY
		1 2 3 4	
1	1010434	Barrel - Plastic	1
2	102292201	Screw-1/4-20x2.20 Tx Pn Hd Sd	2
3	102298030	Screw, K80x30, Torx Pn Hd Pt	2
4	102500801	Plate - Floor Cover	1
5	103974821	Asm, Pedal, Anodized, Field Service, Gas or Elec (includes items 6 through 14)	1
6	102559401	Rod, Brake	1
7	102559701	Nut, Brake Rod	1
8	102594801	Shield, Debris Aux	1
9	102594901	Shield, Debris Primary	1
10	102595901	Screw, M6x1.0x17 Ph, Taptite	4
11	102596001	Screw, M5x0.8x18 Ph, Taptite	4
12	102596301	Pedal, Accelerator, Anodized (includes item 13)	1
13	103777601	Asm, Park Brake Release, Anodized	1
14	103974901	Asm, Brake Pedal, Anodized (includes items 15 through 17)	1
15	102595201	Cover, Brake	1
16	102595301	Upstop, Brake	1
17	102595401	Pad, Brake	1
		<p>Note: Pedal Assembly (item 5) has no MCOR and is common to both gas and electric vehicles. Item 5 is not illustrated as a complete assembly. All applicable details are illustrated.</p>	

5
G
E

5
G
E



000487-020

PEDAL GROUP WITH MCOR – ELECTRIC VEHICLE

ITEM	PART NO.	DESCRIPTION	QTY
		1 2 3 4	
1	1010434	Barrel - Plastic	1
2	102292201	Screw-1/4-20x2.20 Tx Pn Hd Sd	2
3	102298030	Screw, K80x30, Torx Pn Hd Pt	2
4	102500801	Plate - Floor Cover	1
5	103874111	Asm, Pedal Set, No Switch, w/MCOR, Service (includes items 6 through 20)	1
6	103943401	Screw, Pan, #10 X 1.00 Hi-lo	1
7	103975011	Asm, Pedal Set, No Switch, Service (includes items 8 through 16)	1
8	102559401	Rod, Brake	1
9	102559701	Nut, Brake Rod	1
10	102594801	Shield, Debris Aux	1
11	102594901	Shield, Debris Primary	1
12	102595901	Screw, M6x1.0x17 Ph, Taptite	4
13	102596001	Screw, M5x0.8x18 Ph, Taptite	4
14	102596301	Pedal, Accelerator, Anodized (includes item 15)	1
15	103777601	Asm, Park Brake Release, Anodized	1
16	103974901	Asm, Brake Pedal, Anodized (includes items 17 through 19)	1
17	102595201	Cover, Brake	1
18	102595301	Upstop, Brake	1
19	102595401	Pad, Brake	1
20	105116301	MCOR4, Type 16 Switch	1
<p style="text-align: center;">Note: See the Electrical System Section for more MCOR information.</p>			

5
G
E

5

G

E

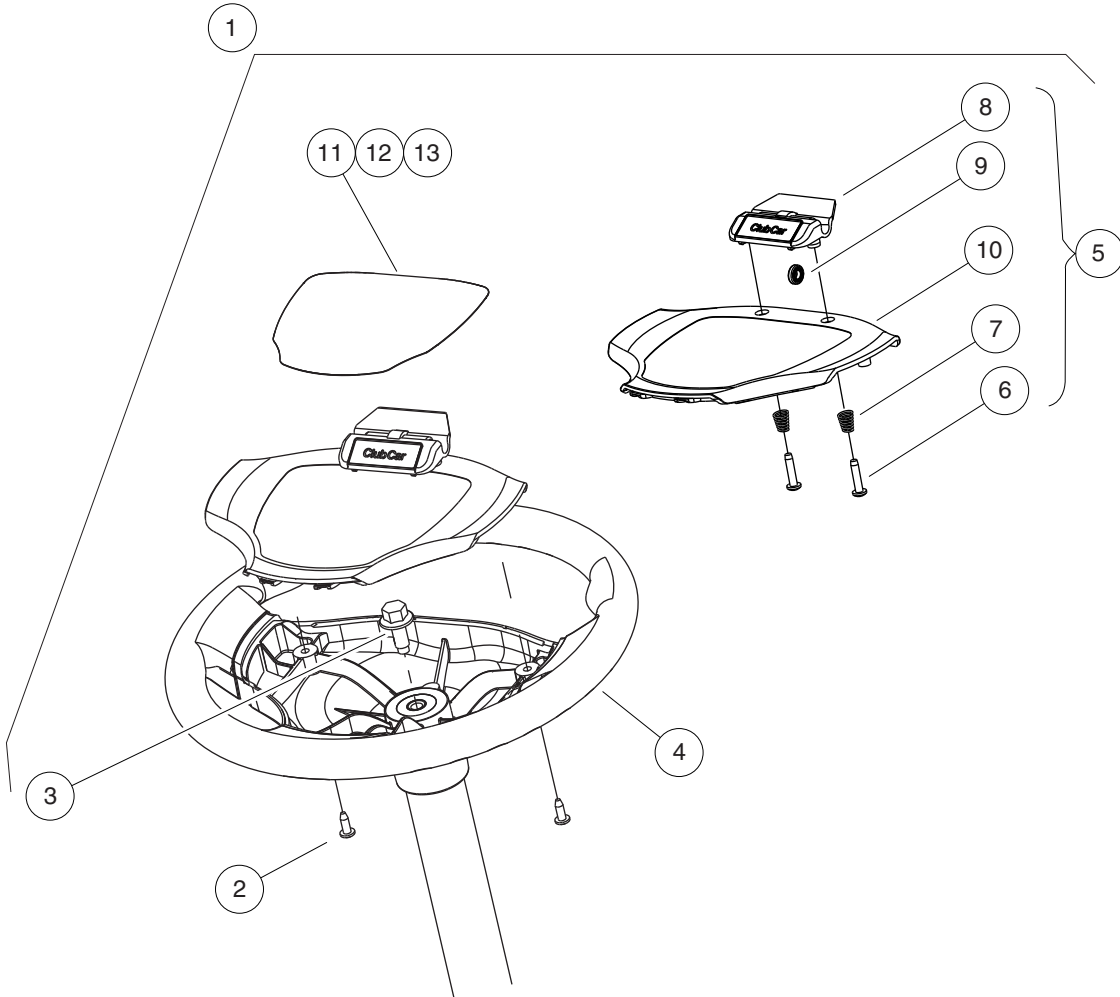
STEERING, FRONT AND REAR SUSPENSION

6

G

E

6
G
E



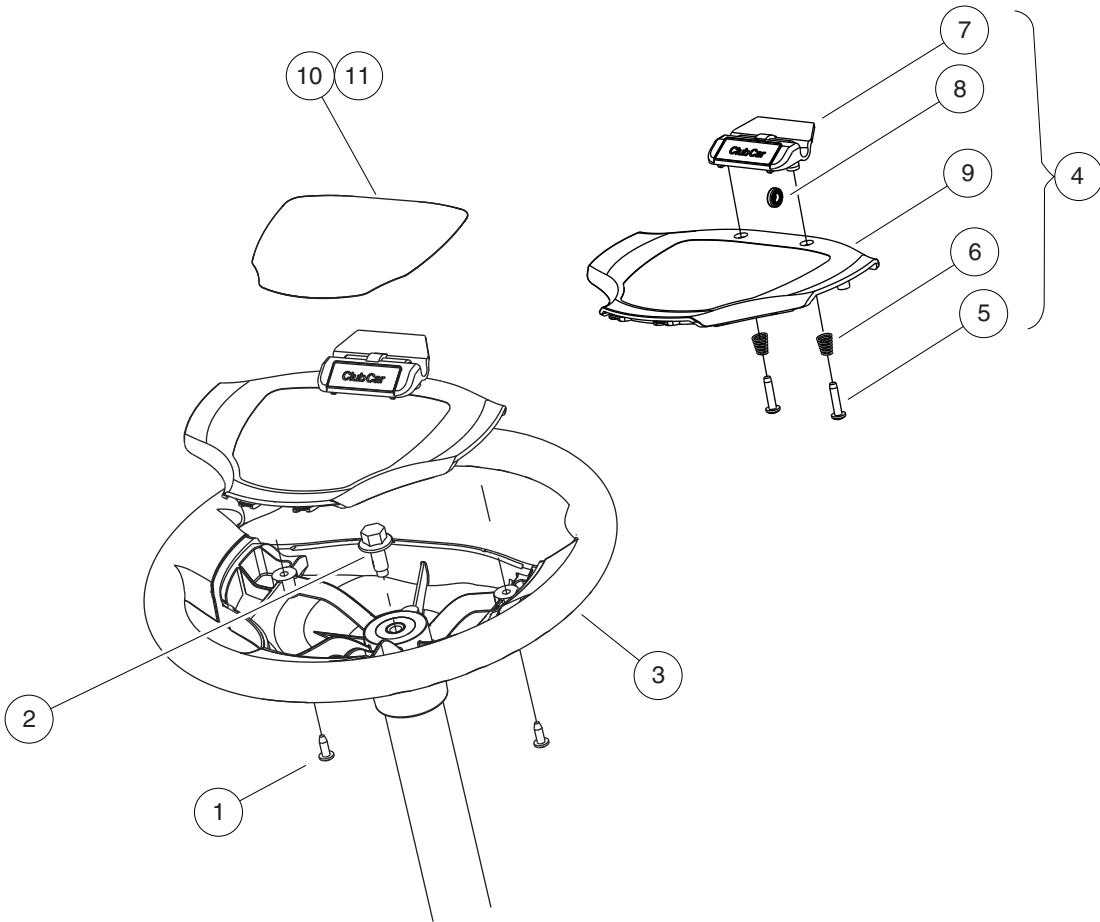
000470-002

STEERING WHEEL, COMFORT GRIP WITH CLIP

ITEM	PART NO.	DESCRIPTION	QTY
		1 2 3 4	
1	103796701	Kit, Hex, Steering Wheel (includes items 2 through 13)	1
2	101850301	Screw, #12-16 X 0.50 Washer-Head Hi-Lo	2
3	102290120	Bolt, M10 X 20 Hex Washer Hd	1
4	103724503	Steering Wheel, Soft Grip, Hex	1
5	103724901	Asm, Scorecard, Clip (includes items 6 through 10)	1
6	1012565	Screw, #12 Phillips Round Head	2
7	1012566	Tapered Compression Spring	2
8	1016154	Clip, Scorecard	1
9	1016214	Pencil Grip	1
10	103724601	Cover, Steering Wheel, Clip	1
11	103783001	Decal, Op Instr, Ele	1
12	103783002	Decal, Op Instr, Gas Ps	1
13	103783003	Decal, Op Instr, Gas Ks	1
		<p>Note: Kit supplies three optional decals. Refer to the Operators Manual for this vehicle or the decal section of this Manual to determine which decal applies.</p>	

6
G
E

6
G
E



000470-005

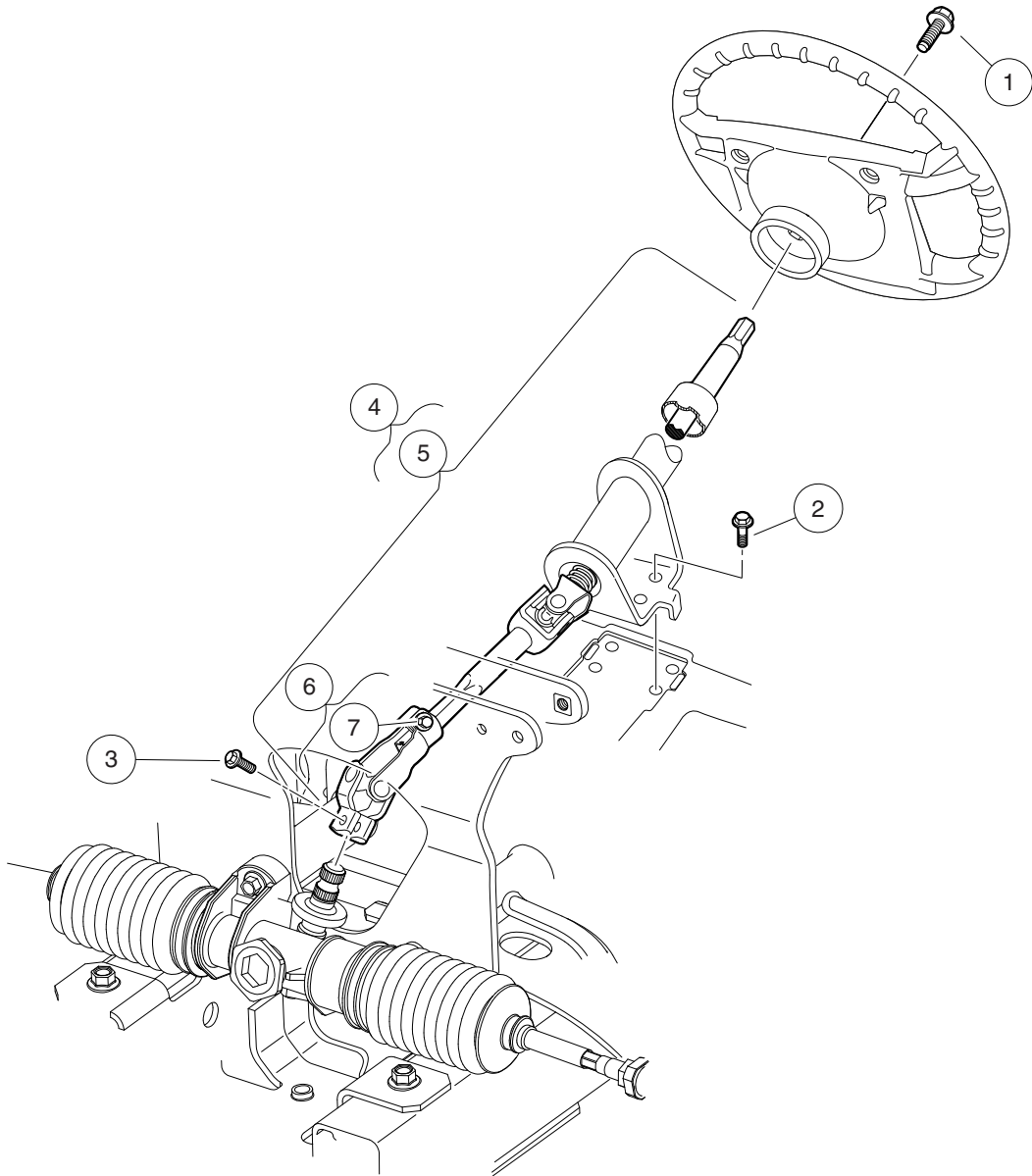
STEERING WHEEL

ITEM	PART NO.	DESCRIPTION	QTY
		1 2 3 4	
1	101850301	Screw, #12-16 X 0.50 Washer-Head Hi-Lo	2
2	102290120	Bolt, M10 X 20 Hex Washer Hd	1
3	103724501	Steering Wheel, Hex	1
4	103724901	Asm, Scorecard, Clip (includes items 5 through 9)	1
5	1012565	Screw, #12 Phillips Round Head	2
6	1012566	Tapered Compression Spring	2
7	1016154	Clip, Scorecard	1
8	1016214	Pencil Grip	1
9	103724601	Cover, Steering Wheel, Clip	1
10	103783001	Decal, Op Instr, Ele	1
11	103783002	Decal, Op Instr, Gas Ps	1
		Note: Refer to the Operators Manual for this vehicle or the decal section of this Manual to determine which decal applies.	

6

G

E

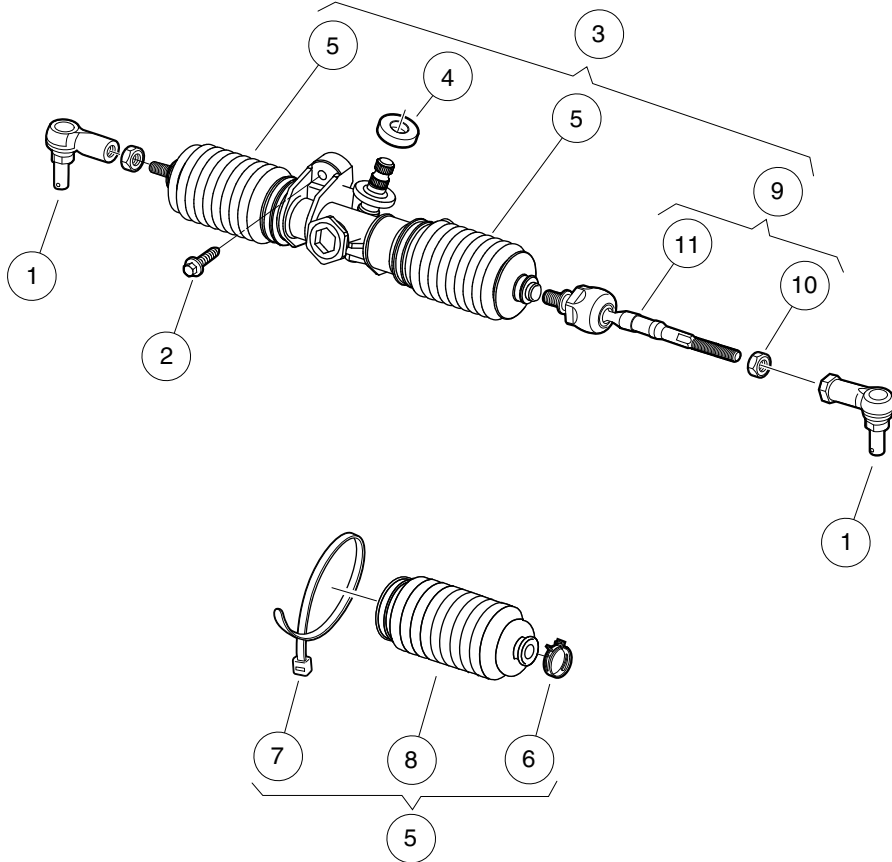


000469-007

STEERING COLUMN

ITEM	PART NO.	DESCRIPTION	QTY
		1 2 3 4	
1	102290120	Bolt, M10 X 20 Hex Washer Hd	1
2	102298116	Bolt, Flanged Head, M8 X 16.0	4
3	102298130	Bolt, Flange Head, M8 X 30.0	1
4	105049001	Kit, Inner Steering Clmn (includes item 5)	1
5	105068601	Asm, Column, Inner (includes item 6)	1
6	103810201	Kit, Lower Yoke, Wanda (includes item 7)	1
7	102298130	Bolt, Flange Head, M8 X 30.0	1

6
G
E



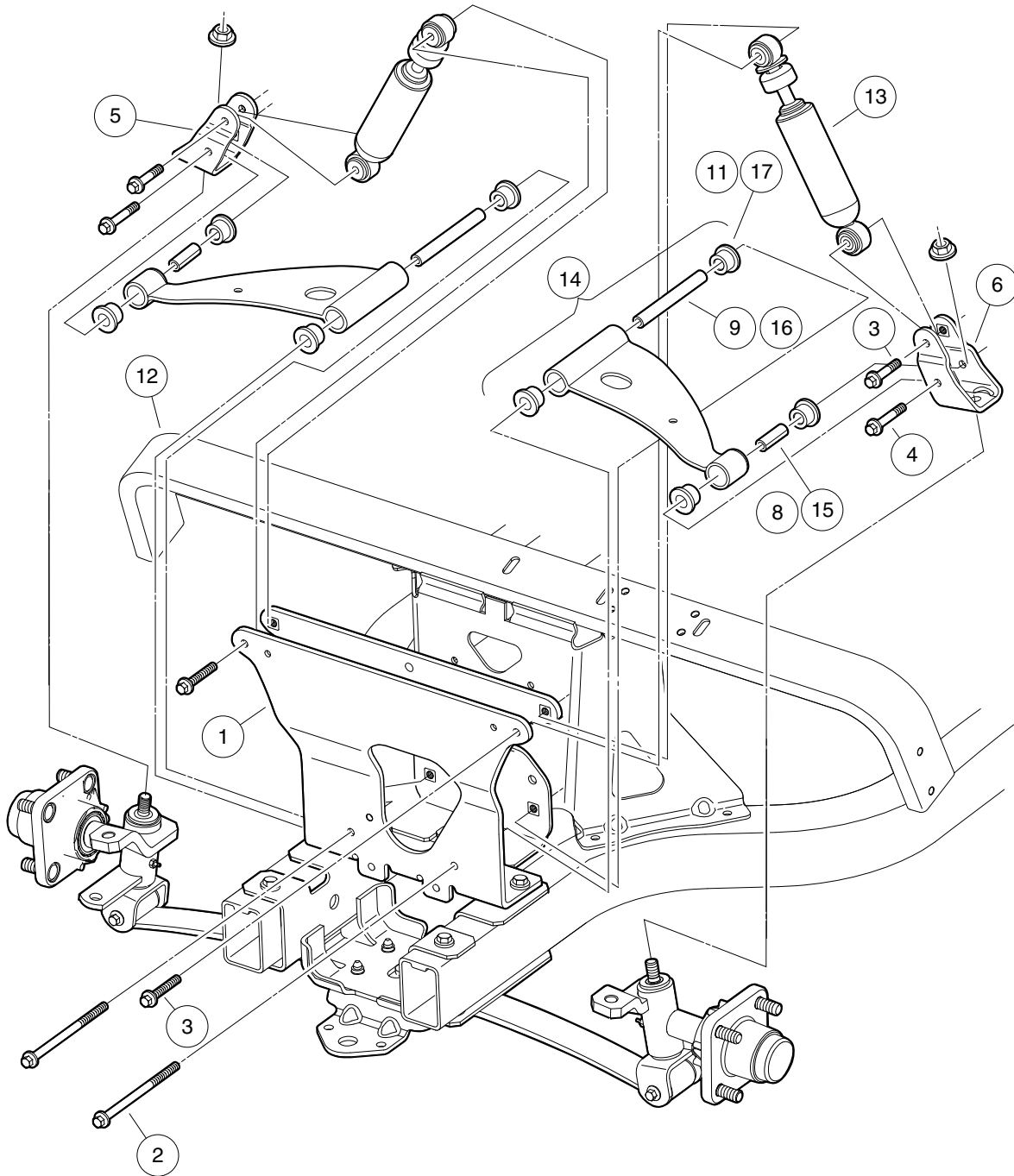
000476-005

STEERING GEAR ASSEMBLY

ITEM	PART NO.	DESCRIPTION	QTY
		1 2 3 4	
1	102022601	End, Tie Rod M12 X 1.25 Rh	2
2	102289001	Screw, M8X1.25X30, Hex	3
3	103679701	Asm, Rack & Pinion (includes items 4 through 9)	1
4	102565201	Seal, Dust, Steering Pinion	1
5	103826201	Bellow Kit, Steering-sona (includes items 6 through 8)	2
6	102566001	Clip, Steering	1
7	8990	Tie Wrap, 8" Nylon	1
8	N/A	Bellows	1
9	103826301	Kit, IBJ (Inner Ball Joint), Steering-sona (includes items 10 and 11)	2
10	1013042	Nut, 12mm Hex	1
11	N/A	Inner Ball Joint	1

6
G
E

6
G
E



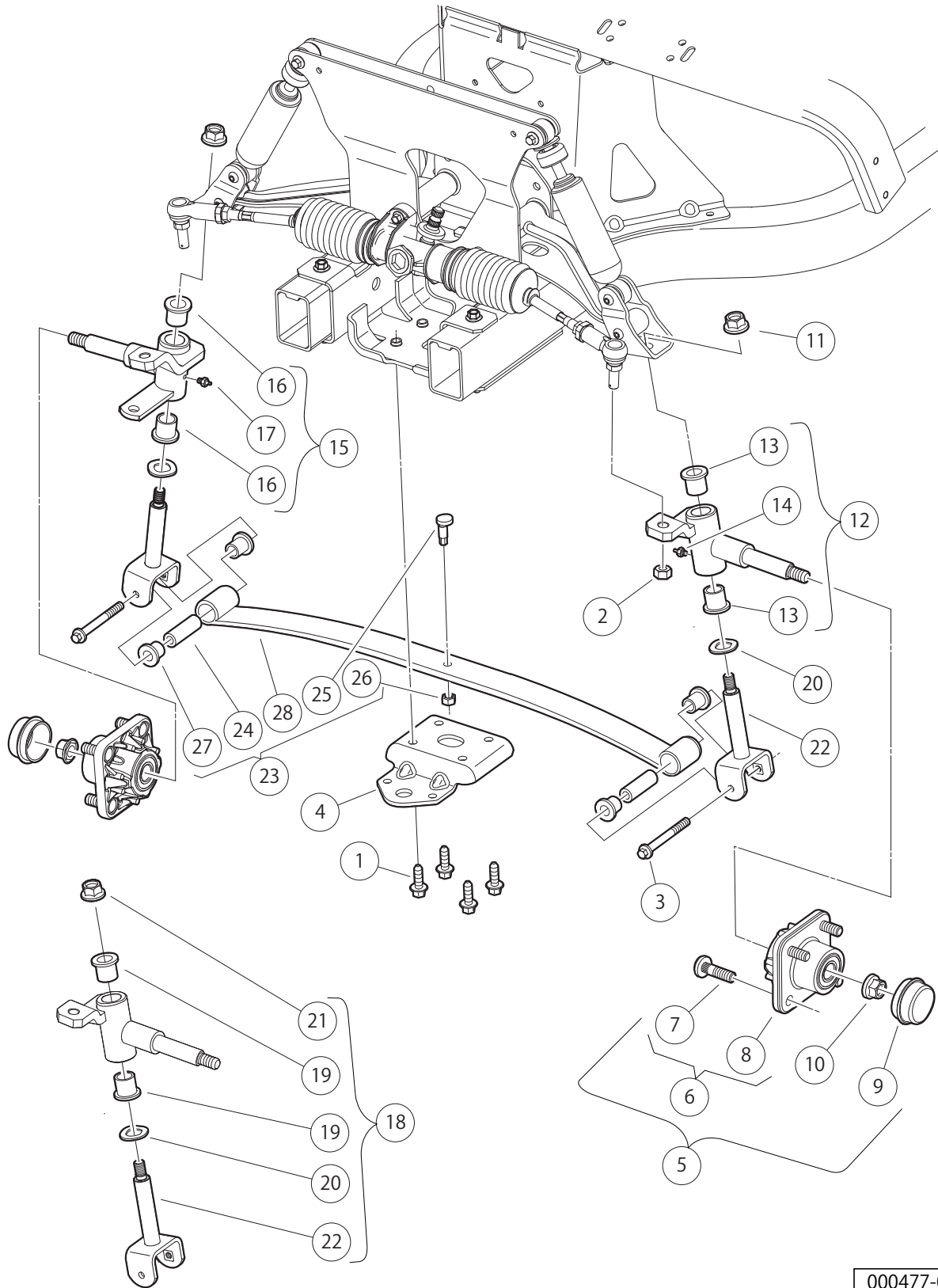
000445-005

FRONT SUSPENSION, UPPER

ITEM	PART NO.	DESCRIPTION	QTY
		1 2 3 4	
1	102287101	Assembly - Front Structure	1
2	102288901	Bolt, Hex, M8x1.25 X 135	2
3	102289401	Screw- Hex Cap, M8 X 1.25 X 45	4
4	102289501	Screw- Hex Cap, M8 X 1.25 X 70	2
5	102289601	Upper Clevis Assembly, Passenger-side	1
6	102289701	Upper Clevis Assembly, Driver-side	1
7	102289901	Kit, Susp, Bushing Joints (includes items 8 through 11)	1
8	102287601	Sleeve - Rolled, Outer	2
9	102287701	Sleeve - Rolled, Inner	2
10	102288101	Sleeve - Rolled, Spring	2
11	102956201	Bushing, Urethane, Short	12
12	102505701	Assembly, Dash Support	1
13	102588601	Shock Absorber Front	2
14	103388501	Asm, 3 Piece A-arm, Bushings (includes items 15 through 17)	2
15	102287601	Sleeve - Rolled, Outer	1
16	102287701	Sleeve - Rolled, Inner	1
17	102956201	Bushing, Urethane, Short	4
		Note: Item 7 (not shown) includes bushings and sleeves for control arms and front suspension leaf spring. See lower suspension page for illustration of item 10 (not shown).	

6
G
E

6
G
E



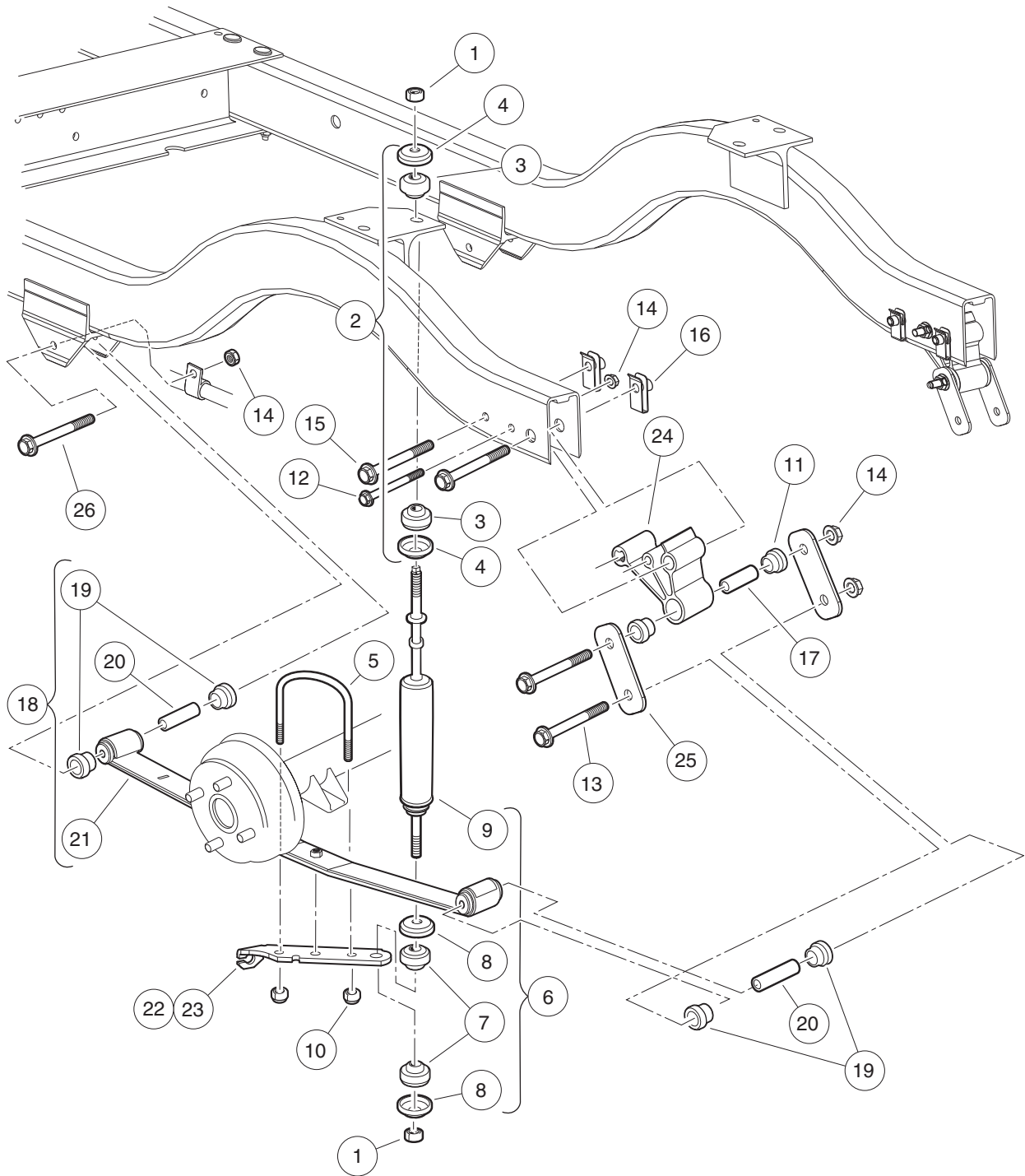
000477-009

FRONT SUSPENSION, LOWER

ITEM	PART NO.	DESCRIPTION	QTY
		1 2 3 4	
1	102289101	Screw-m10x1.5, Trilob, Hex Fl	4
2	102289201	Nut - Hex Locking, M12 X 1.25	2
3	102289501	Screw- Hex Cap, M8 X 1.25 X 70	2
4	102289801	Clamp - Leaf Spring	1
5	102357701	Replacement Kit, Front Hub (includes items 6 through 10)	1
6	N/A	Front Hub Assembly, Ball Bearing (includes items 7 and 8)	1
7	102353401	Lug Stud, 1/2-20 UNF, 4037 Stl	4
8	N/A	Hub, Front	1
9	102353201	Cap, Front Hub	1
10	102353301	Hex Nut, Locking Flange, M14x2	1
11	102878201	Nut, Lock,m12,washer,conical	2
12	103638701	Asm, Spindle, with Bushings, Driver-side (includes items 13 and 14)	1
13	102288201	Bushing - Flanged	2
14	N/A	Fitting, Grease, Knuckle Spindle Asym	1
15	103638702	Asm, Spindle, with Bushings, Passenger-side (includes items 16 and 17)	1
16	102288201	Bushing - Flanged	2
17	N/A	Fitting, Grease, Knuckle Spindle Asym	1
18	103638801	Kit, King Pin Joints (includes items 19 through 22)	1
19	102288201	Bushing - Flanged	4
20	102288401	Wave Washer - Kingpin	2
21	102878201	Nut, Lock,m12,washer,conical	2
22	103638601	Asm, King Pin, M12	2
23	103935601	Asm, Spring, Leaf, Front, 50.4 (includes items 24 through 28)	1
24	102288101	Sleeve - Rolled, Spring	2
25	102288701	Eccentric Bolt	1
26	102288801	Nut-hex, 3/8-16	1
27	102956201	Bushing, Urethane, Short	2
28	105187901	Spring, Leaf, Front, 50.4	1

6
G
E

6
G
E



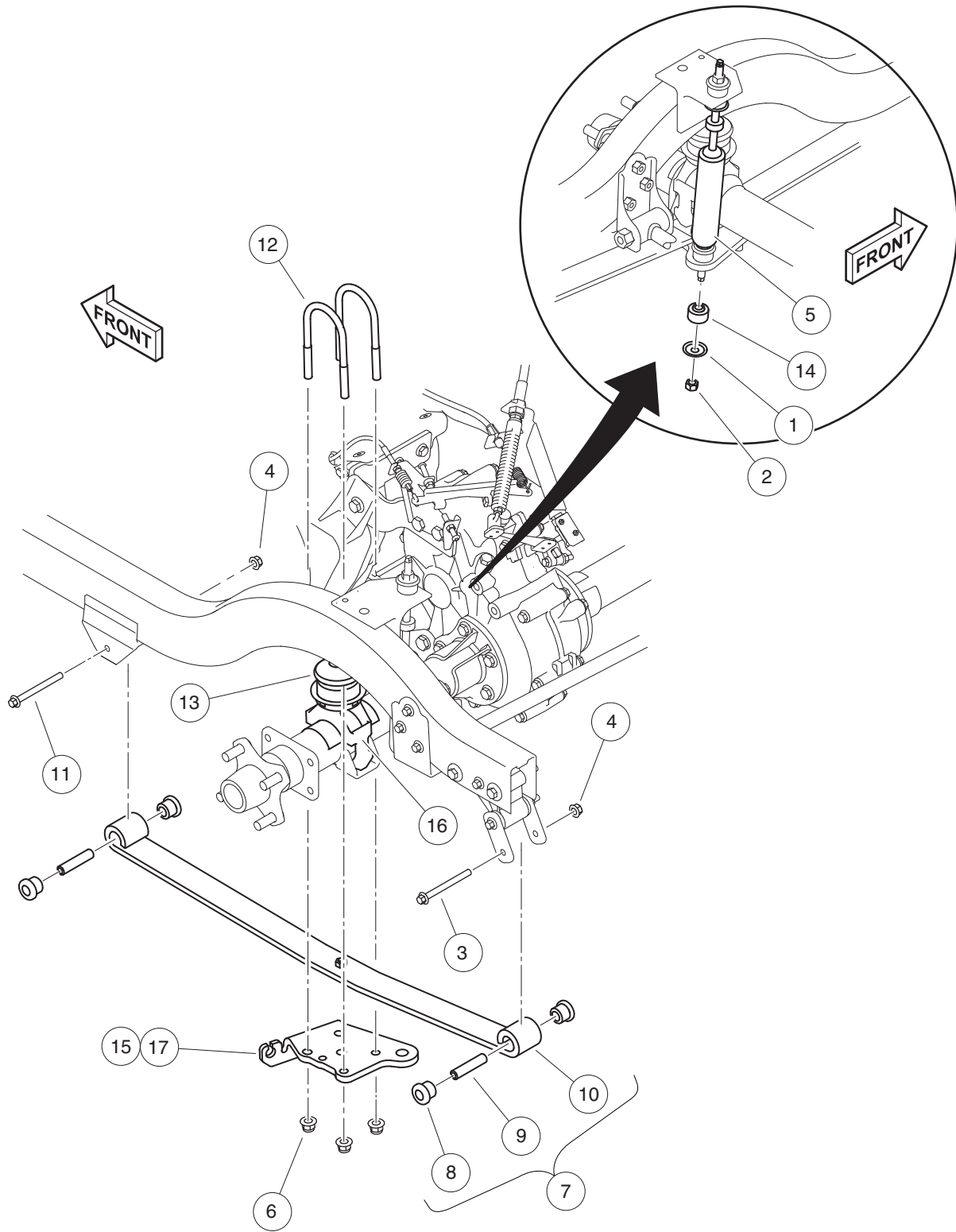
000446-005

REAR SUSPENSION, STANDARD TWO-PASSENGER

ITEM	PART NO.	DESCRIPTION	QTY
		1 2 3 4	
1	1010145	Nut, 3/8-24 Hex	4
2	1011415	Kit, Shock Absorber Cushion (includes items 3 and 4)	2
3	N/A	Retainer, Shock Absorber Cushion	2
4	47579096001	Isolator, Shock Damper	2
5	1012180	U-Bolt	2
6	1013164	Shock Absorber Kit (includes items 7 through 9)	1
7	N/A	Cushion, Shock Absorber	8
8	N/A	Retainer, Shock Absorber Cushion	8
9	102588501	Shock Absorber, Rear	2
10	1014555	Locknut, 7/16-14 Nylon Hex	4
11	1015583	Bushing, Urethane	4
12	102298170	Bolt - Flange Hd, M8 X 70.0	2
13	102298175	Bolt - Flange Hd, M8 X 75.0	2
14	102298401	Nut,m8,all Metal Lock	8
15	102298580	M8-1.25 X 80 Sems	4
16	102298601	J-clip - M8 X 1.25	4
17	102506401	Sleeve - Spring Eye Mounts	2
18	103742305	Asm, Rear Leaf Spring, Light (includes items 19 through 21)	2
19	101558302	Bushing, Urethane, Soft	4
20	102506401	Sleeve - Spring Eye Mounts	2
21	N/A	Leaf Spring, Rear, Light	1
22	103921601	Bracket, Shock Mounting, Drv	1
23	103921602	Bracket, Shock Mounting, Pas	1
24	103964901	Spacer, Rail, Shackle	2
25	103965001	Brkt, Shackle, Rear	4
26	105188185	Bolt, M8 X 85mm, 10.9 Grade	4

6
G
E

6
G
E



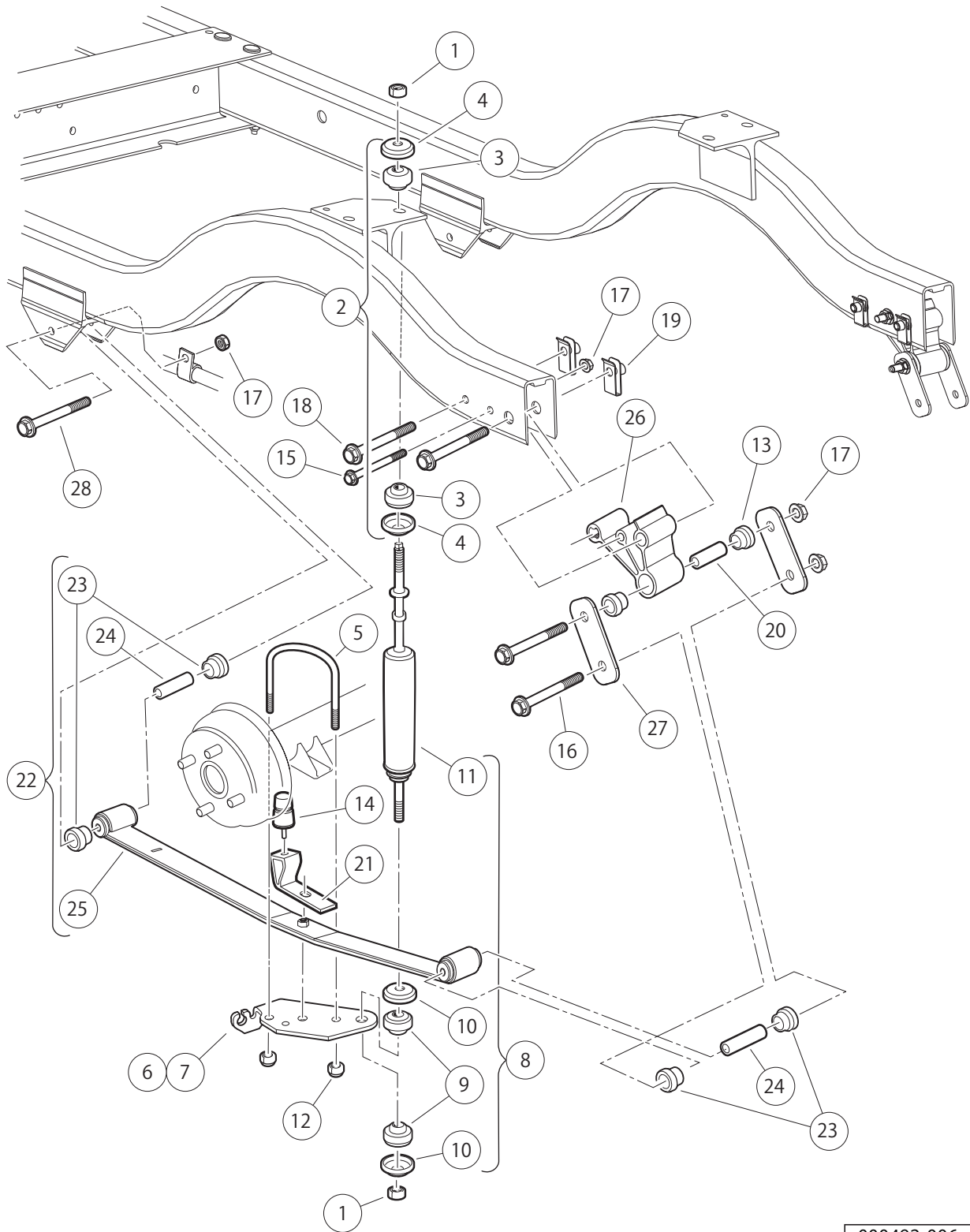
001396-001

REAR SUSPENSION, GASOLINE 4-PASSENGER – CONSUMER

ITEM	PART NO.	DESCRIPTION	QTY
		1 2 3 4	
1	N/A	Retainer, Shock Absorber Cushion	8
2	1010145	Nut, 3/8-24 Hex	4
3	102298175	Bolt - Flange Hd, M8 X 75.0	2
4	102298401	Nut,m8,all Metal Lock	4
5	102588501	Shock Absorber, Rear	2
6	102670701	Nut, Flange, M10 X 1.5 Nylon	8
7	103742304	Asm, Rear Leaf Spring, Std (includes items 8 through 10)	2
8	101558302	Bushing, Urethane, Soft	4
9	102506401	Sleeve - Spring Eye Mounts	2
10	N/A	Leaf Spring, Rear, Std	1
11	105188185	Bolt, M8 X 85mm, 10.9 Grade	2
12	105188701	U-bolt, M10x1.5x58	4
13	47576196001	Bumper, Jounce, D-255828	2
14	47579096001	Isolator, Shock Damper	8
15	47583665001	Bracket, U-bolt, with Panhard Mount, Passenger-side	1
16	47583666001	Bracket, Perch, Bumper, Jounce	2
17	47583912001	Bracket, U-bolt, Driver-side	1

6
G
E

6
G
E



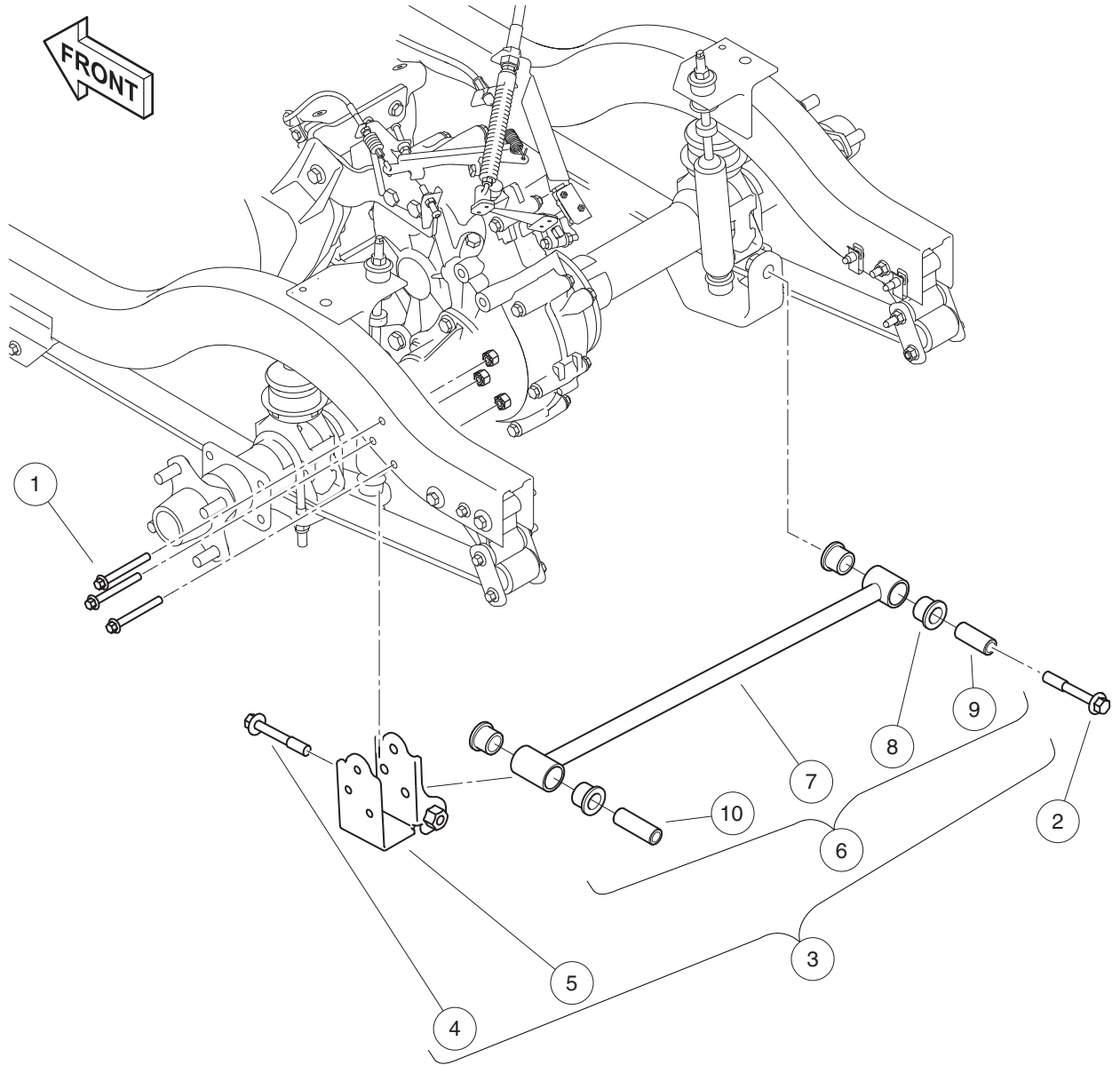
000492-006

REAR SUSPENSION, FOUR PASSENGER ELECTRIC, OPTIONAL TWO OR FOUR PASSENGER HD

ITEM	PART NO.	DESCRIPTION	QTY
		1 2 3 4	
1	1010145	Nut, 3/8-24 Hex	4
2	1011415	Kit, Shock Absorber Cushion (includes items 3 and 4)	2
3	N/A	Retainer, Shock Absorber Cushion	2
4	47579096001	Isolator, Shock Damper	2
5	1012180	U-Bolt	2
6	1012181	Bracket, Shock Mounting, Right (Passenger)	1
7	1012182	Bracket, Shock Mounting, Left (Driver)	1
8	1013164	Shock Absorber Kit (includes items 9 through 11)	1
9	N/A	Cushion, Shock Absorber	8
10	N/A	Retainer, Shock Absorber Cushion	8
11	102588501	Shock Absorber, Rear	2
12	1014555	Locknut, 7/16-14 Nylon Hex	4
13	1015583	Bushing, Urethane	4
14	1017235	Bumper, Jounce	2
15	102298170	Bolt - Flange Hd, M8 X 70.0	2
16	102298175	Bolt - Flange Hd, M8 X 75.0	2
17	102298401	Nut,m8,all Metal Lock	8
18	102298580	M8-1.25 X 80 Sems	4
19	102298601	J-clip - M8 X 1.25	4
20	102506401	Sleeve - Spring Eye Mounts	2
21	102534801	Jounce Bumper Bracket	2
22	103742306	Asm, Rear Leaf Spring (includes items 23 through 25)	2
23	101558302	Bushing, Urethane, Soft	4
24	102506401	Sleeve - Spring Eye Mounts	2
25	N/A	Leaf Spring, Rear	1
26	103964901	Spacer, Rail, Shackle	2
27	103965001	Brkt, Shackle, Rear	4
28	105188185	Bolt, M8 X 85mm, 10.9 Grade	4

6
G
E

6
G
E



001392-001

PANHARD ROD

ITEM	PART NO.	DESCRIPTION	QTY
		1 2 3 4	
1	102298170	Bolt - Flange Hd, M8 X 70.0	3
2	103146501	Bolt, Flg, M12 X 1.75 X 80	1
3	47577865001	Assy, Panhard and Frame Rail Bracket (includes items 4 through 6)	1
4	103146501	Bolt, Flg, M12 X 1.75 X 80	1
5	47576649001	Bkt, Frame Rail, Panhard	1
6	47577864001	Asm, Rod, Panhard (includes items 7 through 10)	1
7	47576650001	Assy, Weldment, Panhard	1
8	47576651001	Bushing, Slip, 3390000-160802	4
9	47576652001	Sleeve, Bushing, Panhard, Short	1
10	47576652002	Sleeve, Bushing, Panhard, Long	1

6
G
E

6

G

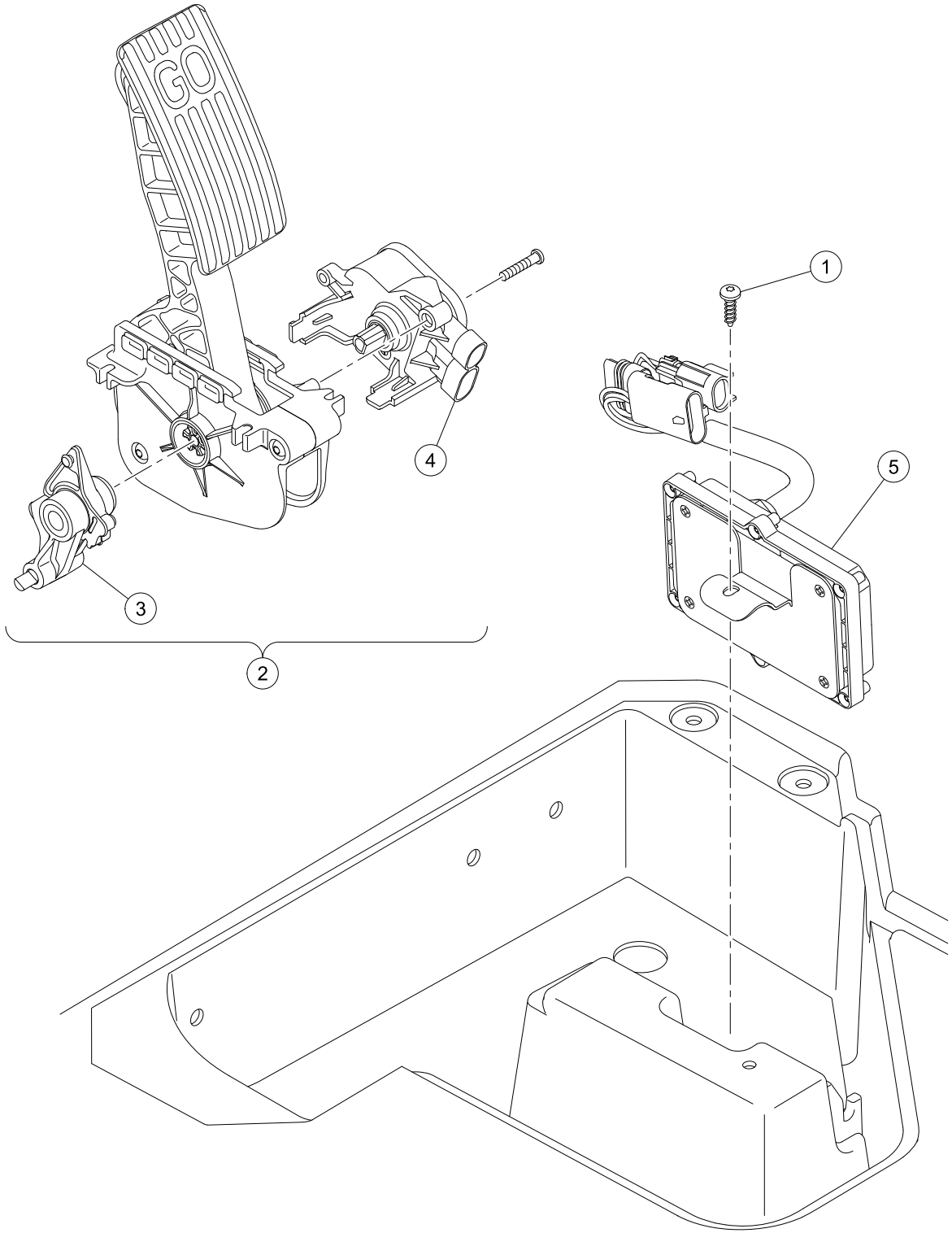
E

ELECTRICAL SYSTEM – GASOLINE EFI

7

G

7
G



G-131199-000001

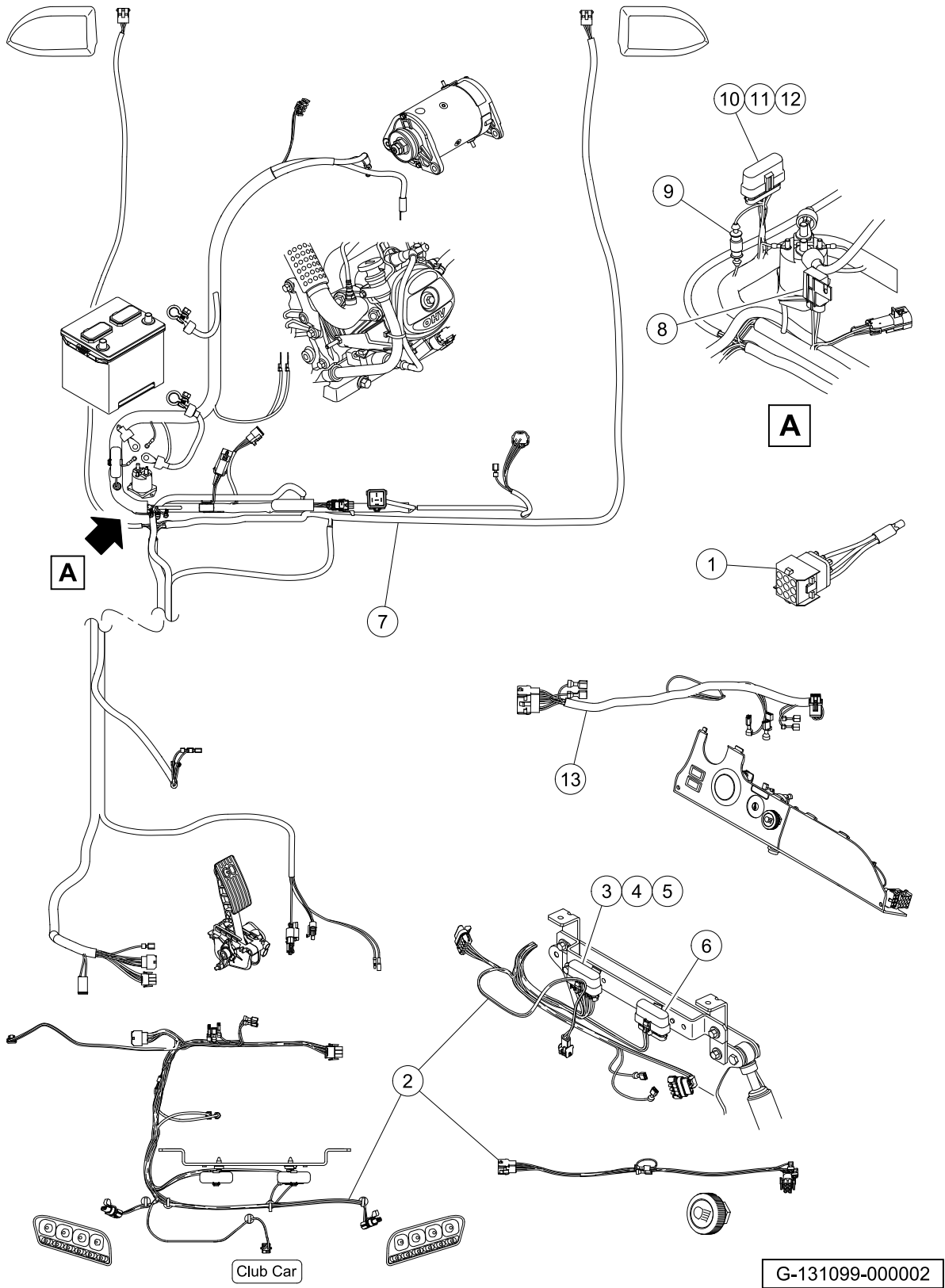
ACCELERATOR PEDAL W/SENSOR AND STOP MODULE

ITEM	PART NO.	DESCRIPTION	QTY
		1 2 3 4	
1	102296020	Screw-torx Pan Head Pt, M6x20	1
2	102595502	Asm, Accel. Pedal/Throttle, Anodized, Gas Vehicle (includes items 3 and 4)	1
3	103777601	Asm, Park Brake Release, Anodized	1
4	N/A	Throttle Sensor	1
5	47586323001	Module, Gas Car Stop	1
<p>Note: Item 5 is only for use in gasoline vehicles with Visage system installed. For a complete Pedal Group, see section 5, Brakes and Pedal Group Assemblies.</p>			

7

G

7
G



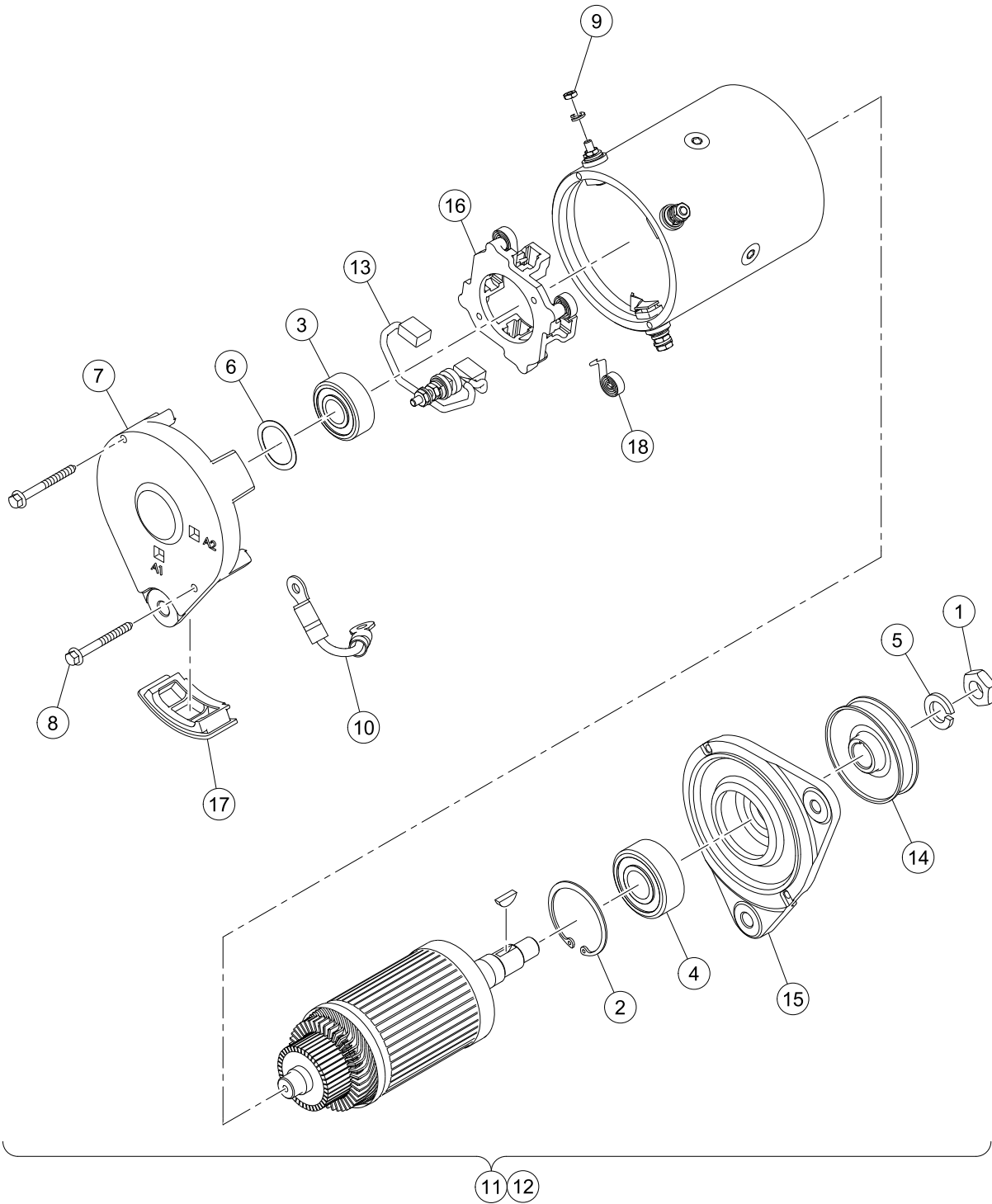
WIRING HARNESSES AND FUSES

ITEM	PART NO.	DESCRIPTION	QTY
		1 2 3 4	
1	105130201	Jumper, Horn, Asm	A/R
2	47562747002	Harness, Ip Lt, Jrny-csmr, Gas (includes items 3 through 6)	1
3	105114802	Fuse, Mini, Atm, 3 Amp	1
4	105114803	Fuse, Mini, Atm, 4 Amp	1
5	105114805	Fuse, Mini, Atm, 7.5 Amp	1
6	105114806	Fuse, Mini, Atm, 10 Amp	1
7	47612535001	Harness, Main, Gas, Prec, Ps (includes items 8 through 12)	1
8	1012295	Fuse, 10-Amp	1
9	103924801	Fuse, Glass, 2-Amp	1
10	105081501	Fuse, ATM, 5-Amp	1
11	105081601	Fuse, ATM, 10-Amp	1
12	105114808	Fuse, Mini, Atm, 20 Amp	1
13	47612537001	Harness, Ip, Gas, Prec, Com	1
		Note: Reference the engine ignition section for information on the ECU wiring harness.	

7

G

7
G

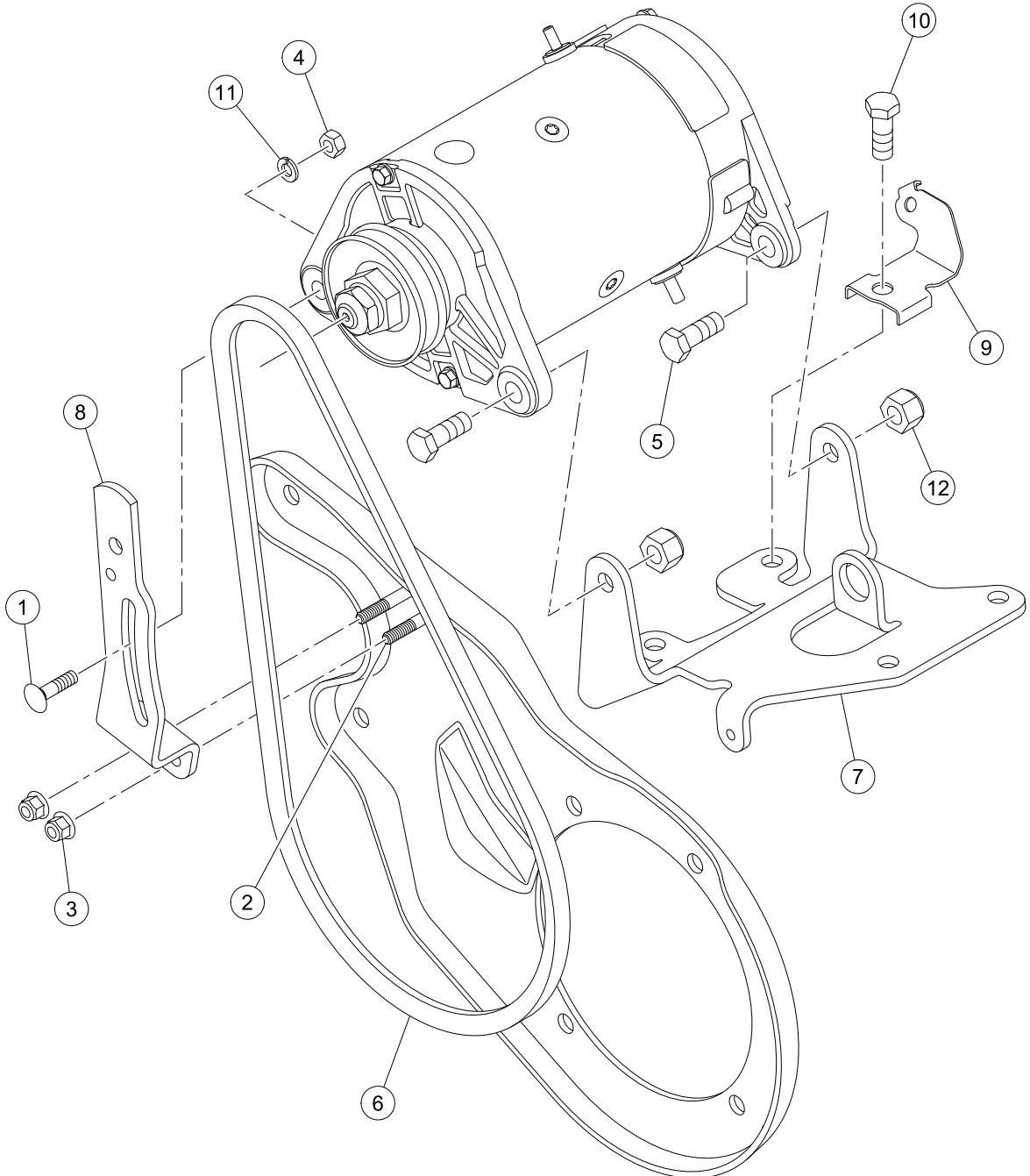


G-130199-000001

STARTER/GENERATOR, KEY AND PEDAL START – EFI

ITEM	PART NO.	DESCRIPTION	QTY
		1 2 3 4	
1	102838701	Nut, Hex, M14x2, S/G	1
2	102838801	Retainer, Front, S/G	1
3	102838901	Bearing, Ball, Rear, S-g	1
4	102839001	Bearing, Ball, Front, S-g	1
5	102839301	Washer, Lock M14x2, S-g	1
6	102841101	Washer, Wave, S-g	1
7	103347601	Head, Comm End, S-g	1
8	103347701	Set, Fast, Ceh Deh, S-g	1
9	103347801	Set, Term Hardware, S/G	1
10	105161701	Wire, 4-Ga, Green, Starter/Generator	1
11	47559475001	Starter Generator, Ps	1
12	47559475002	Starter Generator, Ks	1
13	47583000001	Set, Brush Term, S-g	1
14	47583790001	Pulley, Starter-generator	1
15	47583791001	Head, Drive End, S-g	1
16	47583794001	Kit, Brush And Brush Holder	1
17	47584178001	Kit, Cover, Brush Insp, S-g	1
18	47584179001	Kit, Spring Brush, S-g	1

7
G



G-130199-00002

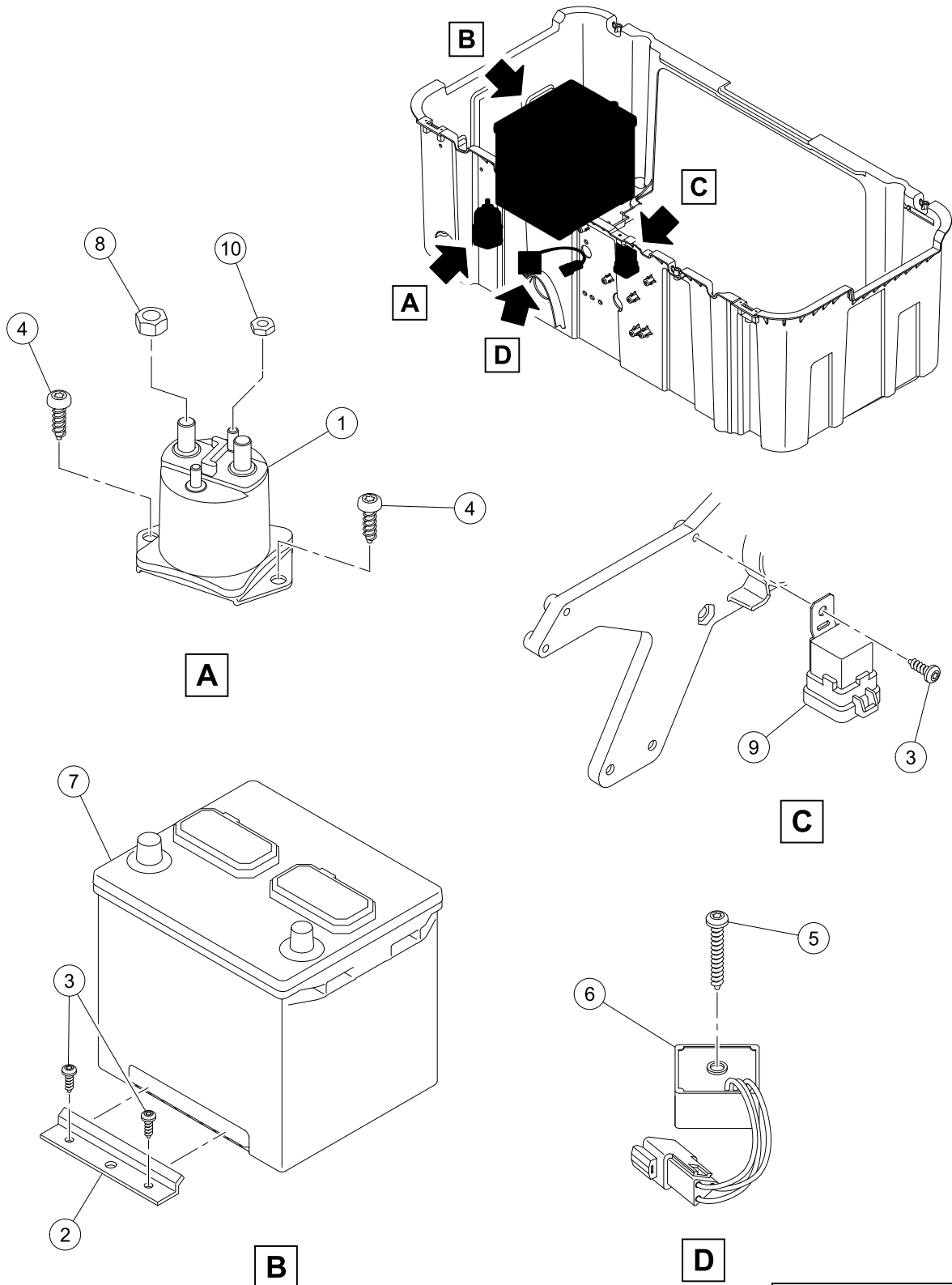
STARTER/GENERATOR MOUNTING – ECH440

ITEM	PART NO.	DESCRIPTION	QTY
		1 2 3 4	
1	1015932	Bolt, Carriage, 5/16-18	1
2	102541401	Bolt-m6x1.0x20 Hex Flhd Blk-I	2
3	102621501	Nut, Flange, M6 X 1.0, Nylon	2
4	1242	Nut, 5/16-18 Hex	1
5	1624	Screw, 3/8-16 X 1.50, Hex-Head Cap	2
6	47539338002	Belt, Sg, Ech440, #5a	1
7	47611868001	Bracket, Mounting, S/g	1
8	47611869001	Bracket, Tensioner, S/g	1
9	47611870001	Bracket, Mtg, Gov Cable Clip	1
10	47617345001	Screw, M8-1.25x20, Hex Hd Flg	4
11	7174	Lockwasher, 5/16 Split	1
12	8754	Locknut, 3/8-16 Hex	2

7

G

7
G



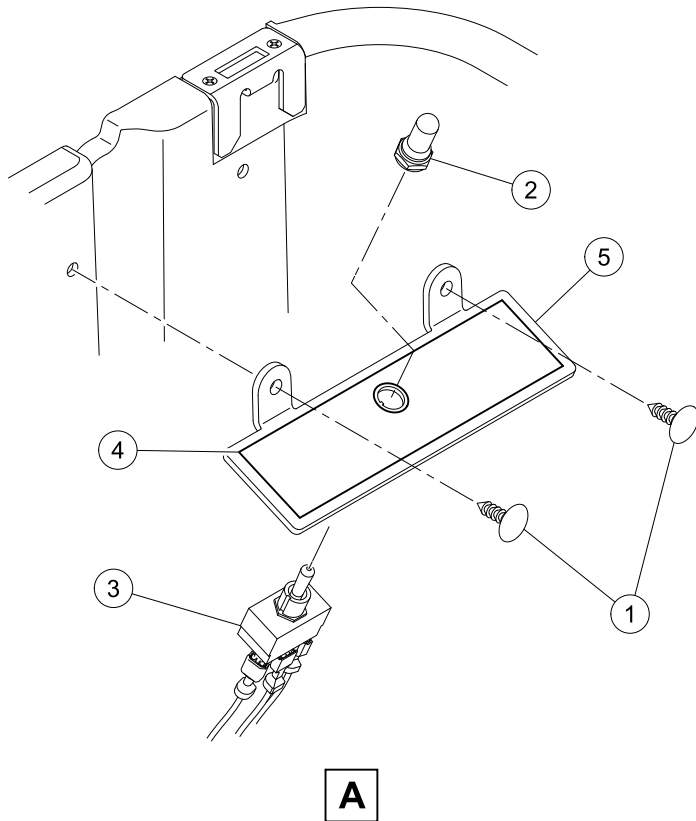
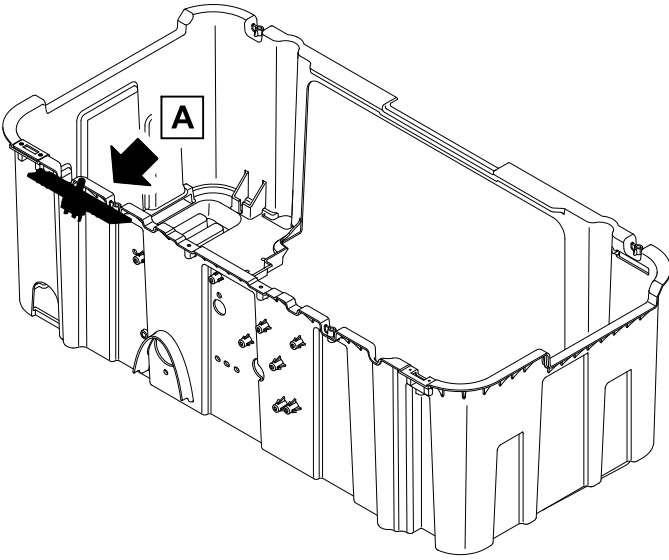
G-130799-000002

BATTERY, SOLENOID, VOLTAGE REGULATOR, RELAY – EFI

ITEM	PART NO.	DESCRIPTION	QTY
		1 2 3 4	
1	1013609	Solenoid, 12-Volt	1
2	101898001	Clamp, Battery	1
3	N/A	Screw-torx Pan Hd Pt,m6 X 16	1
4	102296020	Screw, Torx Pan Hd Pt, M6 X 20	4
5	102296040	Screw, Torx Pan Hd Pt, M6 X 40	1
6	102803301	Asm, Voltage Regulator	1
7	105237399	Battery, Start, 12v, G 26, Sp	1
8	1242	Nut, 5/16-18 Hex	2
9	47623281001	Relay, Mini 630 Spdt,40a/30a	1
10	7893	Nut, #10-32 Hex	2

7
G

7
G



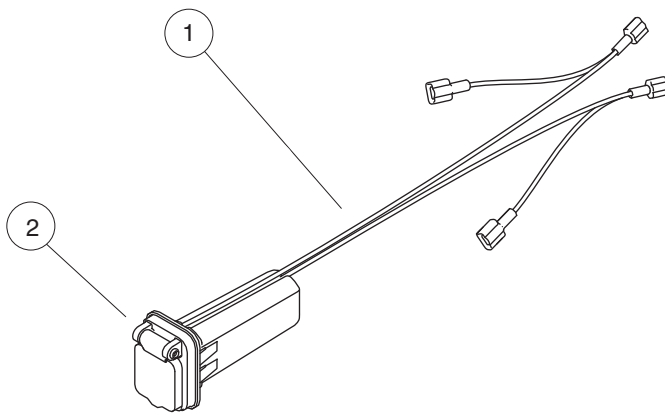
G-130499-000004

MAINTENANCE/OPERATE SWITCH

ITEM	PART NO.	DESCRIPTION	QTY
		1 2 3 4	
1	1010434	Barrel - Plastic	2
2	101908401	Boot, Switch	1
3	103198401	Switch, Toggle, SPDT	1
4	103205501	Decal, Maintenance/Operate Switch	1
5	47645493001	Bracket, Run and Maintenance Switch	1

7

G



001286-002

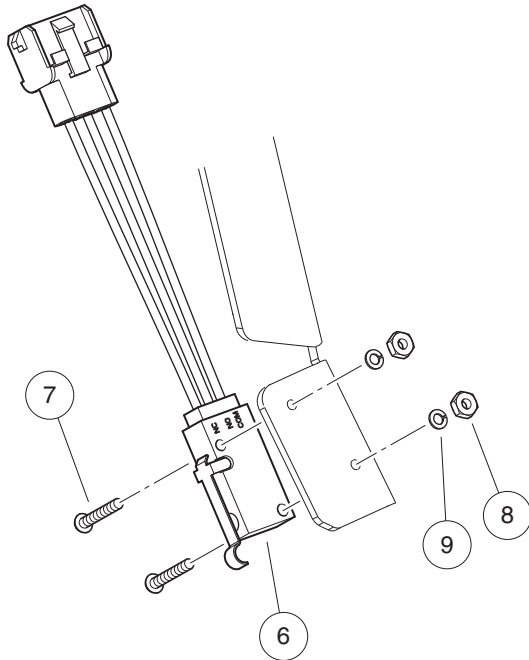
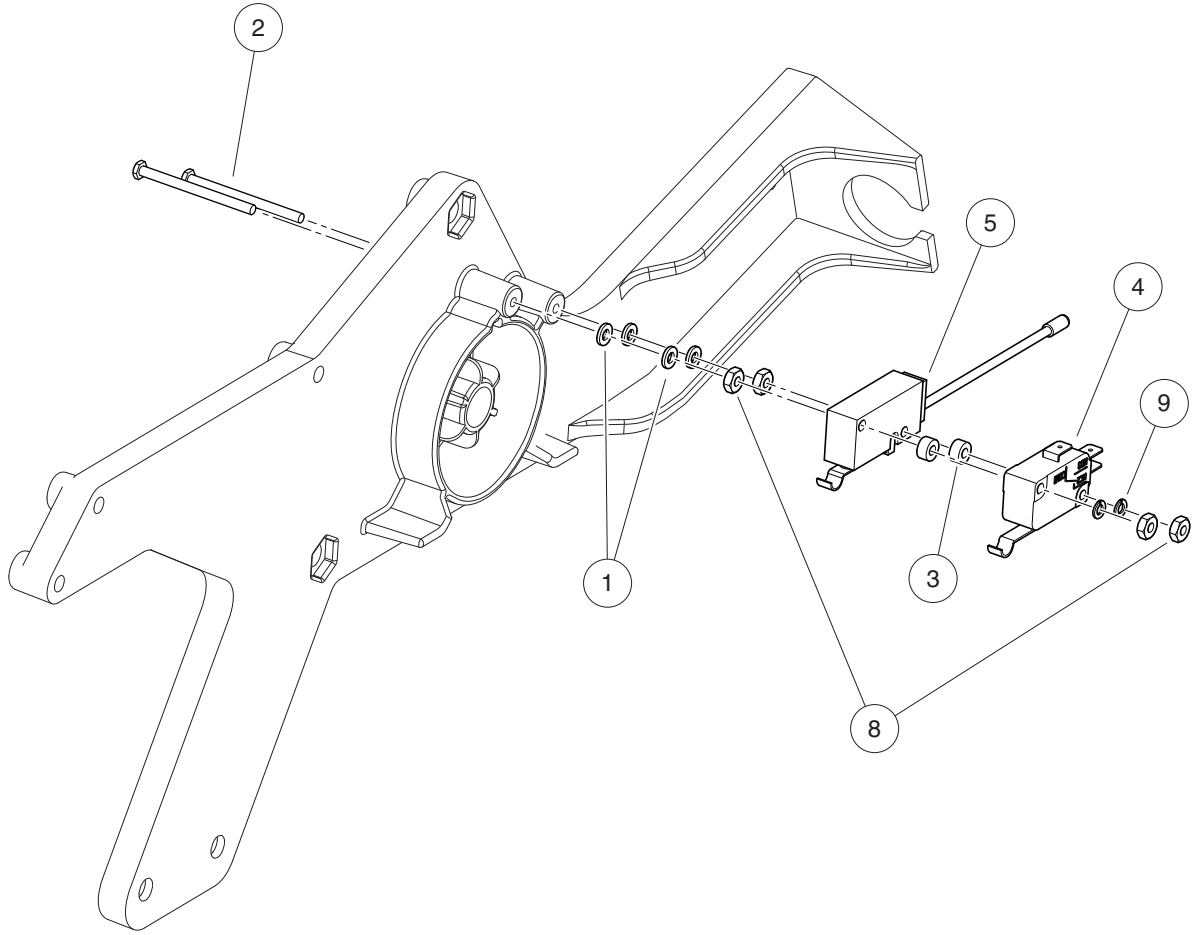
USB PORT KIT FOR GAS VEHICLES

ITEM	PART NO.	DESCRIPTION	QTY
1	47604229001	Kit, Usb, Gas (includes item 2)	1
2	47587715001	Usb, 12v	1

7

G

7
G



001013-001

FORWARD/REVERSE SHIFTER SWITCHES – EFI

ITEM	PART NO.	DESCRIPTION	QTY
		1 2 3 4	
1	1012431	Washer, #4 Flat	4
2	1012594	Screw, #4-40 Machine	2
3	1014727	Washer, Flat, #4, Nylon	2
4	1014807	Switch, Limit	1
5	101979101	Switch, Limit, Assembly, Sealed	1
6	105102601	Switch, Limit, Sealed, with 3-Wire Lead	1
7	8056	Screw, #4-40 X 0.75 Round-Head Machine	2
8	8057	Nut, #4-40 Hex Machine	6
9	8058	Lockwasher, #4 Split	4
Note: Item 5 is located on the shifter. Item 6 is located on the transaxle.			

7

G

7

G

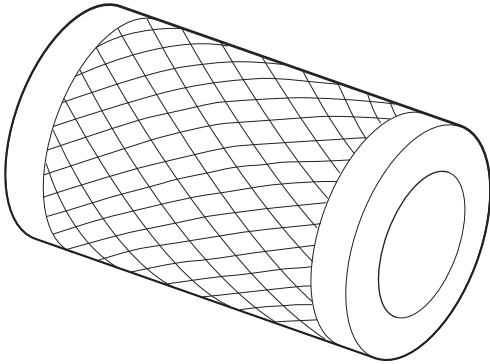
ENGINE (KOHLER ECH440)

8

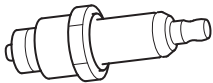
G

8

G



1



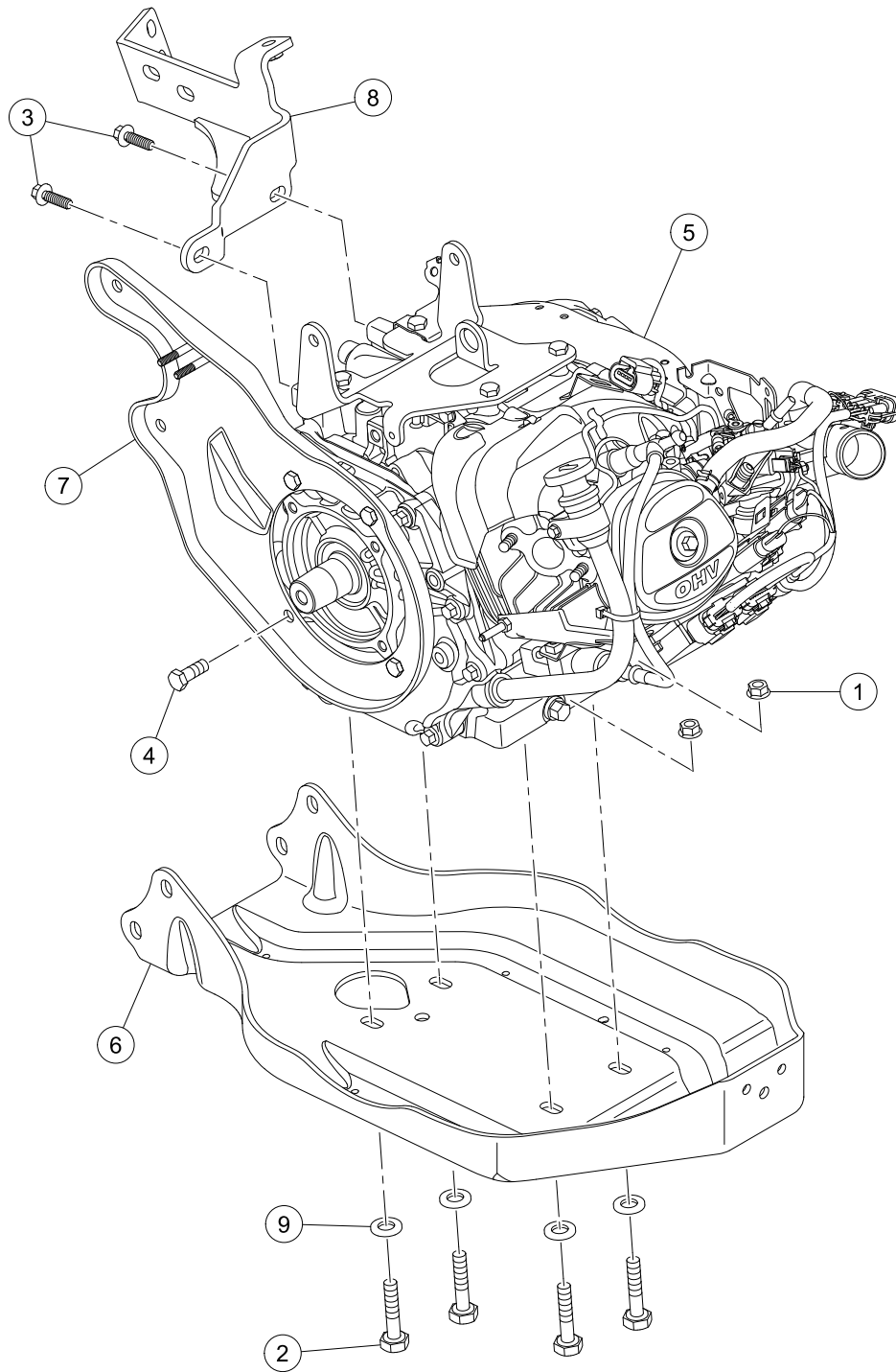
2

000992-003

TUNE-UP PARTS

ITEM	PART NO.	DESCRIPTION	QTY
1	102558201	1 2 3 4 Air Filter, 4 Inch	1
2	47640281001	Plug, Spark, Kohler	1

8
G



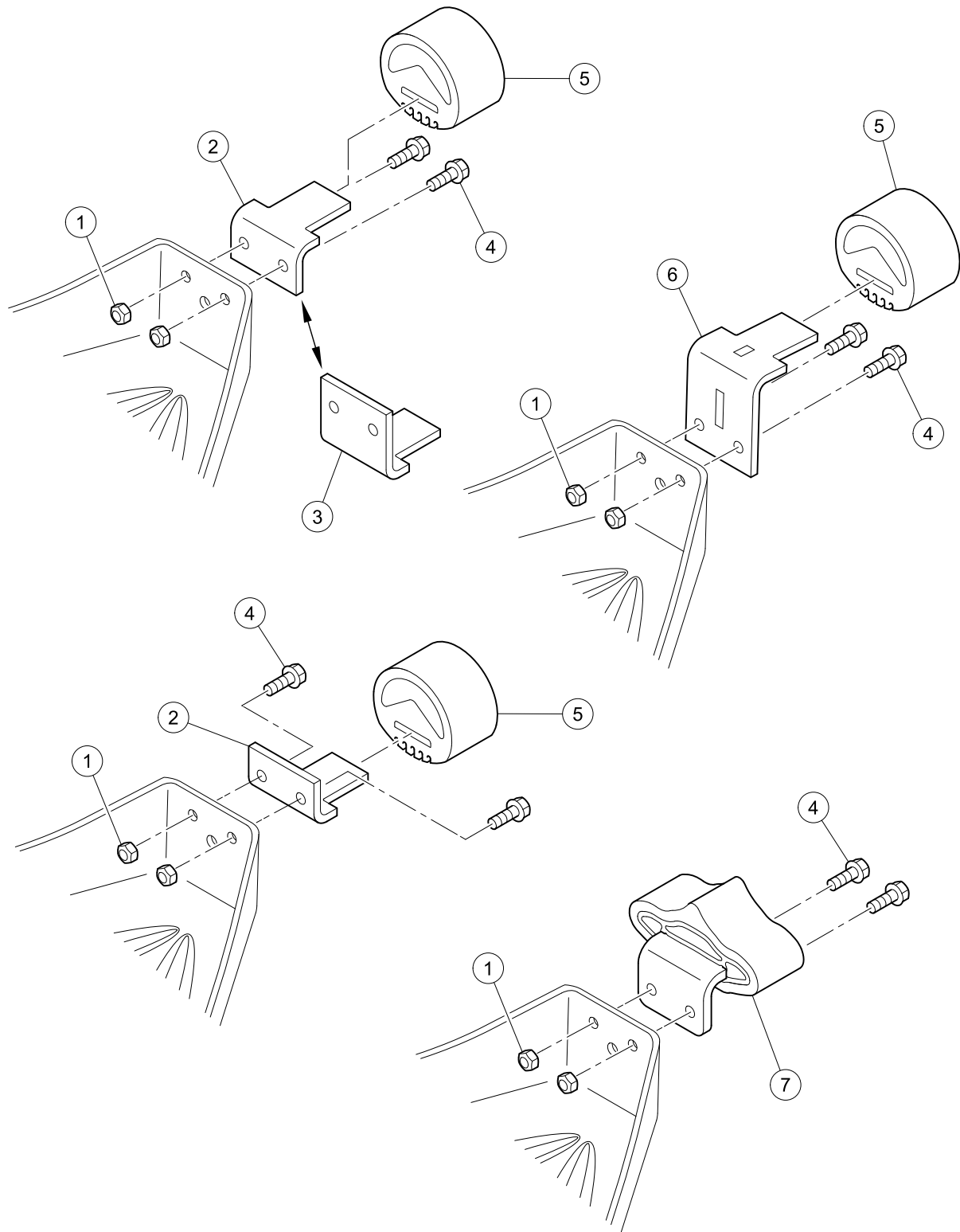
G-110199-000002

ENGINE AND ENGINE MOUNTING

ITEM	PART NO.	DESCRIPTION	QTY
		1 2 3 4	
1	102617201	Nut, Flanged, M10 X 1.5, Mechanically Deformed	4
2	102732401	Bolt, M10 X 45, Zn-Ni (Black)	4
3	103262201	Bolt Flg Blk, M8 X 25, Loctite	2
4	103508101	Bolt, 3/8-16 X .75 Lock Patch	4
5	47598099001	Engine, Gas, Ech440	1
6	47611483001	Plate, Mtg, Engine/axle, Pan	1
7	47611484001	Plate, Mtg, Engine/axle, Cvt	1
8	47611648001	Weldment, Mtg, Exhaust	1
9	96741046	Washer, M10, Hard	4

8

G



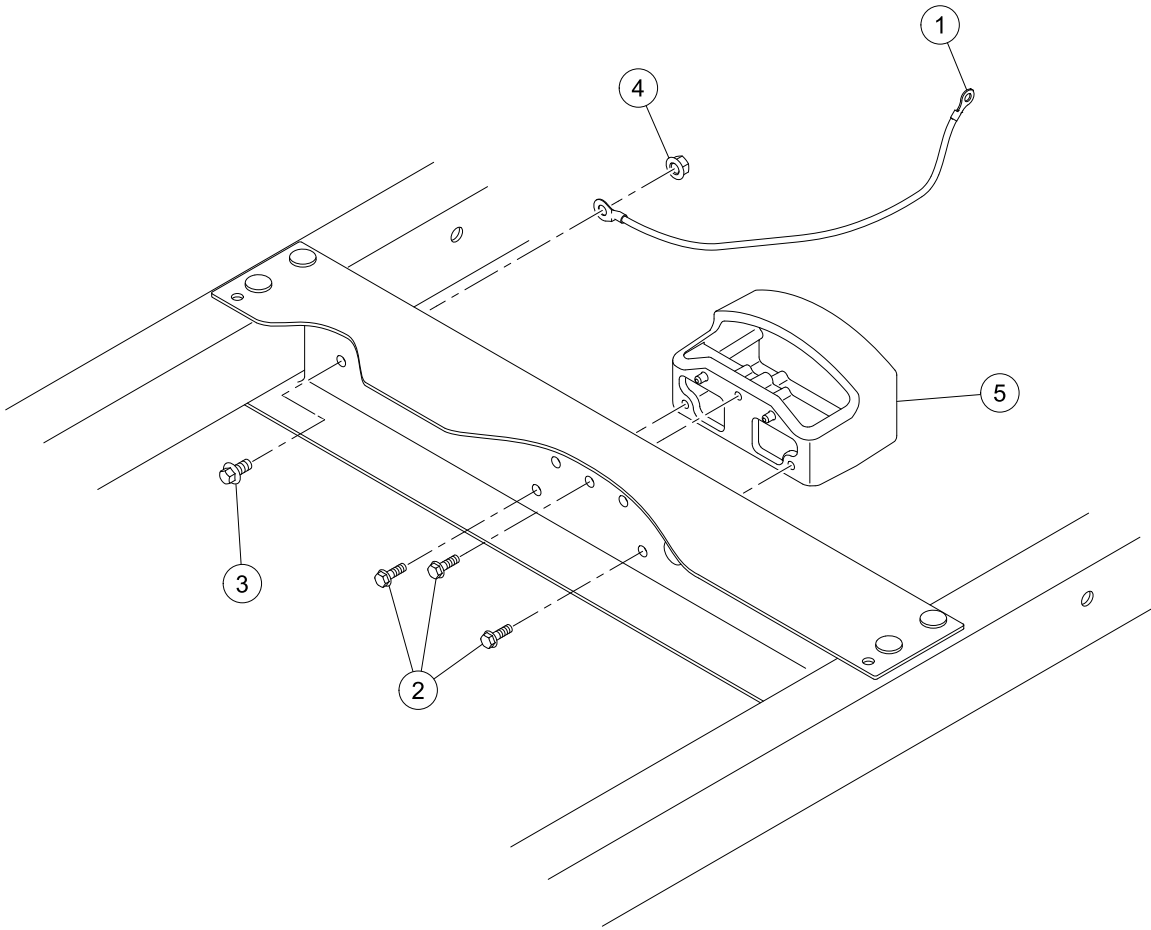
G-010299-000001

ENGINE PAN AND SNUBBER MOUNTING

ITEM	PART NO.	DESCRIPTION	QTY
		1 2 3 4	
1	1013924	Nut, 5/16-24, Hex Head Cone	2
2	101834601	Bracket, Snubber	1
3	101834602	Bracket, Snubber, Tall	1
4	101884801	Screw, 5/16-24 X 0.875, Grade-8	2
5	102540301	Snubber, Inner Frame	1
6	47564890001	Bracket, Snubber, Csmr, Lifted	1
7	47587701001	Asm, Dual Snubber (includes items 8 and 9)	1
8	47583795001	Bracket, Dual Snubber	1
9	47584184001	Snubber, Dual	1
<p style="margin-left: 40px;">Note: Items 8 and 9 are not illustrated.</p>			

8

G

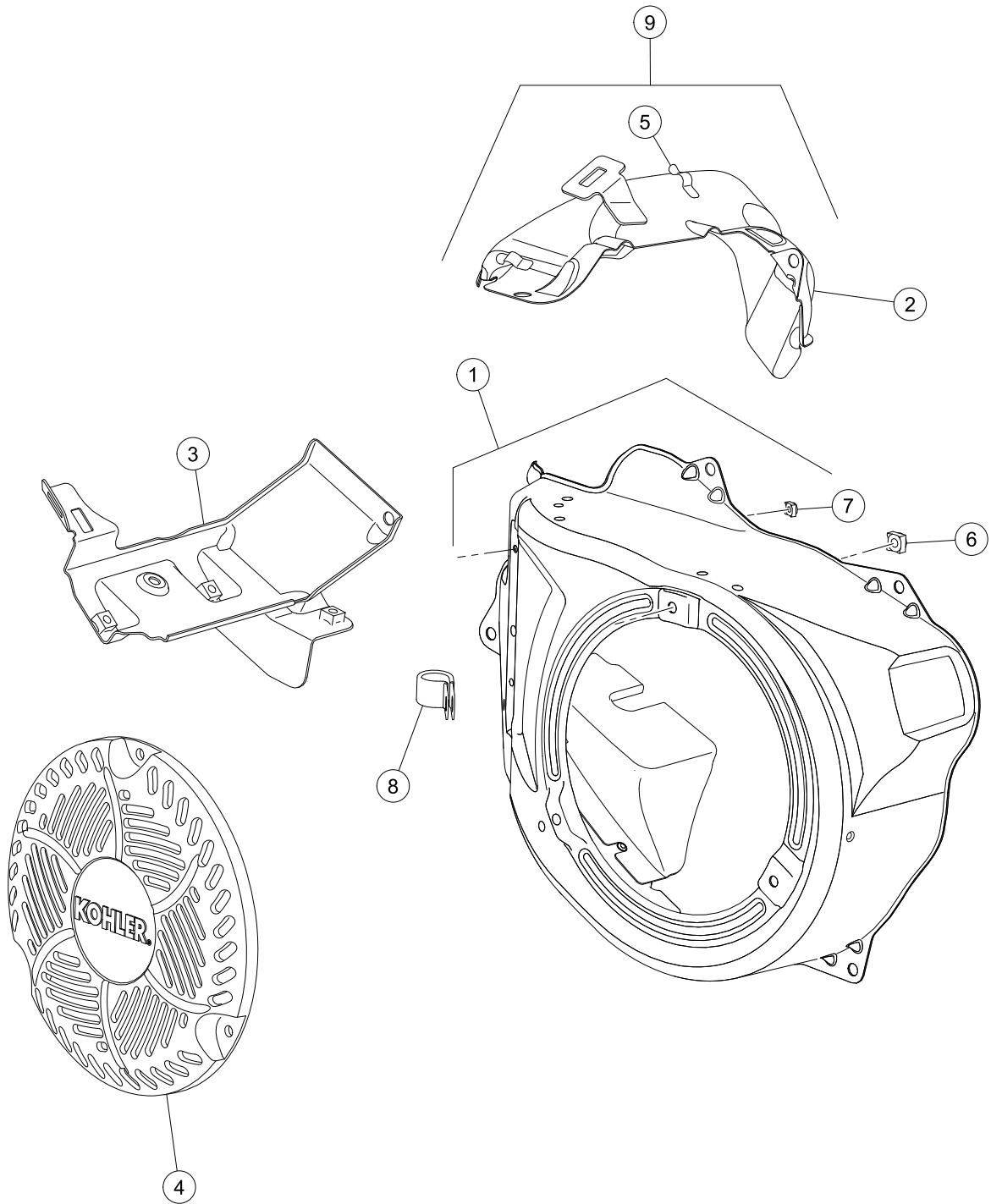


G-010299-000002

SNUBBER HOUSING AND GROUND WIRE

ITEM	PART NO.	DESCRIPTION	QTY
		1 2 3 4	
1	1015332	Wire, Ground, #10, Uninsulated	1
2	102296720	Screw, M6 X 20 Tt Hx Fl Hd	3
3	102298116	Bolt, Flanged Head, M8 X 16.0	1
4	102298401	Nut, M8, All Metal Lock	1
5	102512501	Housing, Snubber	1

8
G



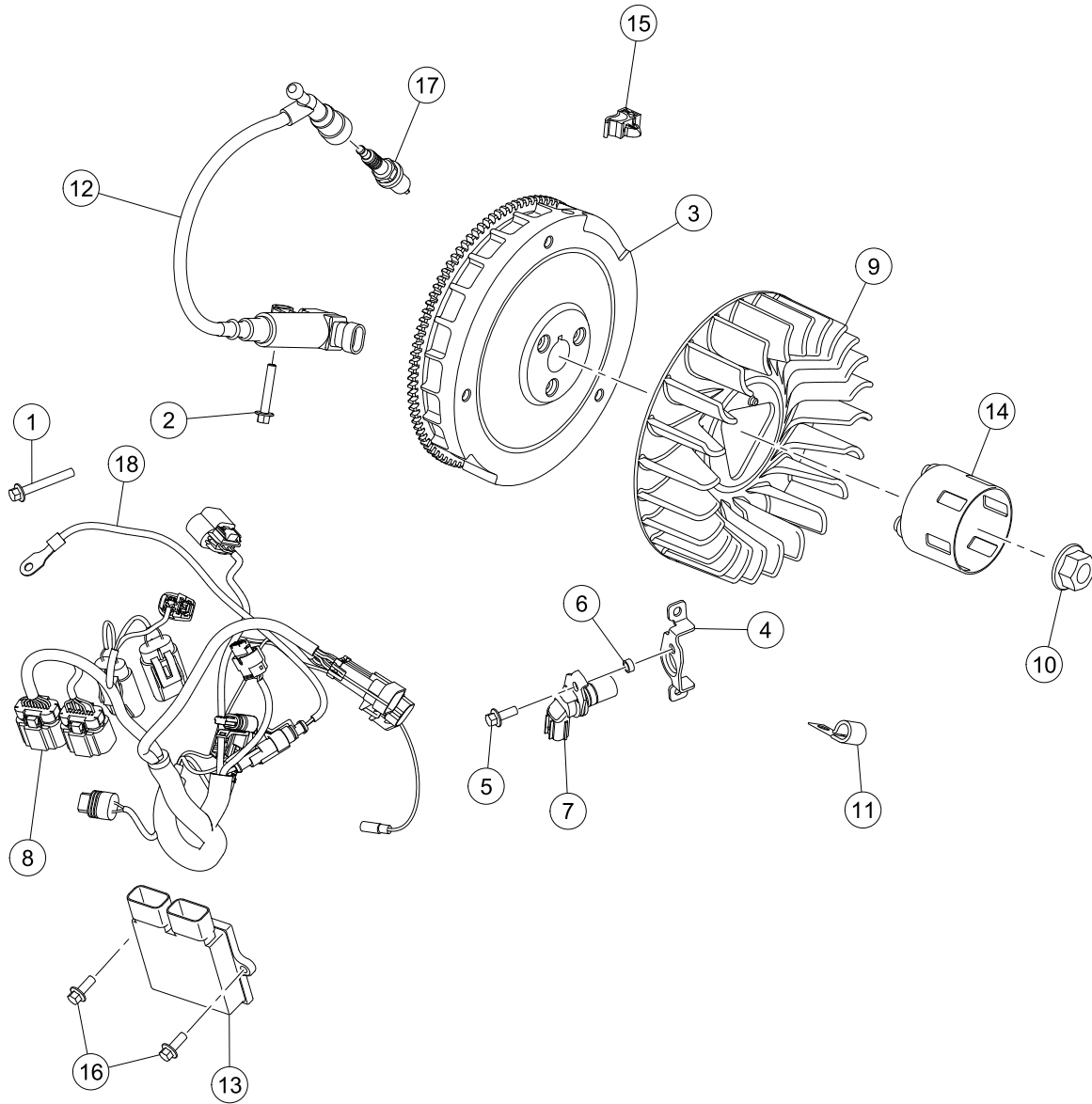
G-040899-000001

BLOWER HOUSING AND HEAT SHIELD – ECH440

ITEM	PART NO.	DESCRIPTION	QTY
		1 2 3 4	
1	47629844001	Kit, Blower Housing, Kohler	1
2	47629845001	Shield, Upper Heater, Kohler	1
3	47629846001	Shield Assembly, Cylinder, Koh	1
4	47629847001	Screen, Blower Housing, Kohler	1
5	47629848001	Clip, Wire, Kohler	2
6	47629851001	Nut, Blower Housing (cky), Koh	1
7	47629853001	Nut, Blower Housing (cky), Koh	1
8	47629855001	Clamp, Insulator, Kohler	1
9	47629856001	Assembly, Heat Shield, Kohler	1

8

G



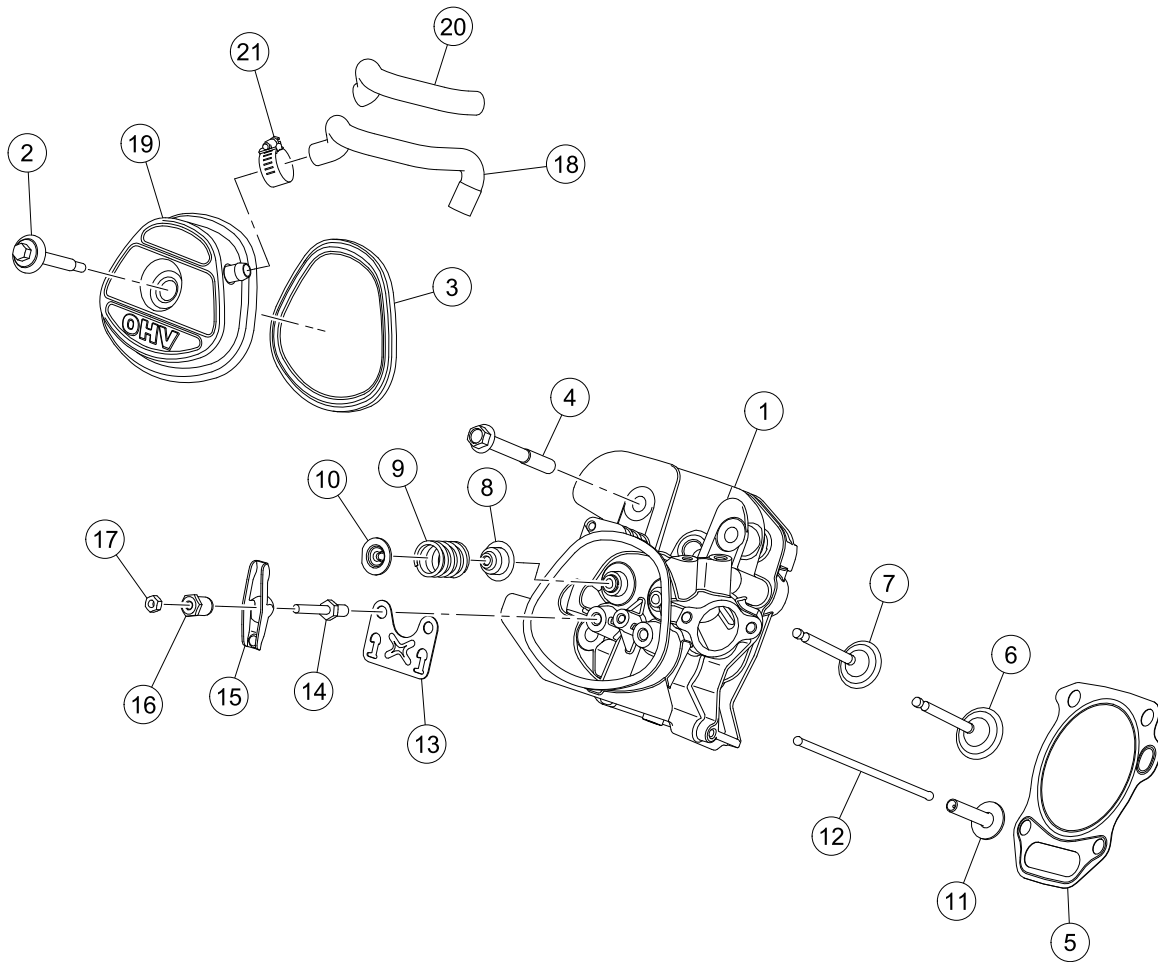
G-040799-000001

IGNITION COMPONENTS AND FLYWHEEL – ECH440

ITEM	PART NO.	DESCRIPTION	QTY
		1 2 3 4	
1	47629702001	Screw, Hex Flange (m6), Kohler	3
2	47629702001	Screw, Hex Flange (m6), Kohler	1
3	47629826001	Flywheel Assy, Electric Start	1
4	47629828001	Bracket, Crank Sensor, Kohler	1
5	47629831001	Screw, Hex Flange, Kohler	1
6	47629832001	Spacer, Kohler	1
7	47629833001	Sensor, Speed, Kohler	1
8	47629834001	Harness, Wiring Assy, Kohler	1
9	47629835001	Fan, Flywheel, Kohler	1
10	47629836001	Nut, Flywheel, Kohler	1
11	47629837001	Clip, Cable, Kohler	1
12	47629838001	Coil, Ignition-efi, Kohler	1
13	47629839001	Module, Ecu, Kohler	1
14	47629841001	Cup, Starter Drive, Kohler	1
15	47629843001	Clip, Wiring Harness, Kohler	1
16	47640021001	Screw, M6x16, Kohler	2
17	47640281001	Plug, Spark, Kohler	1
18	47650647001	Sensor, Temperature	1

8

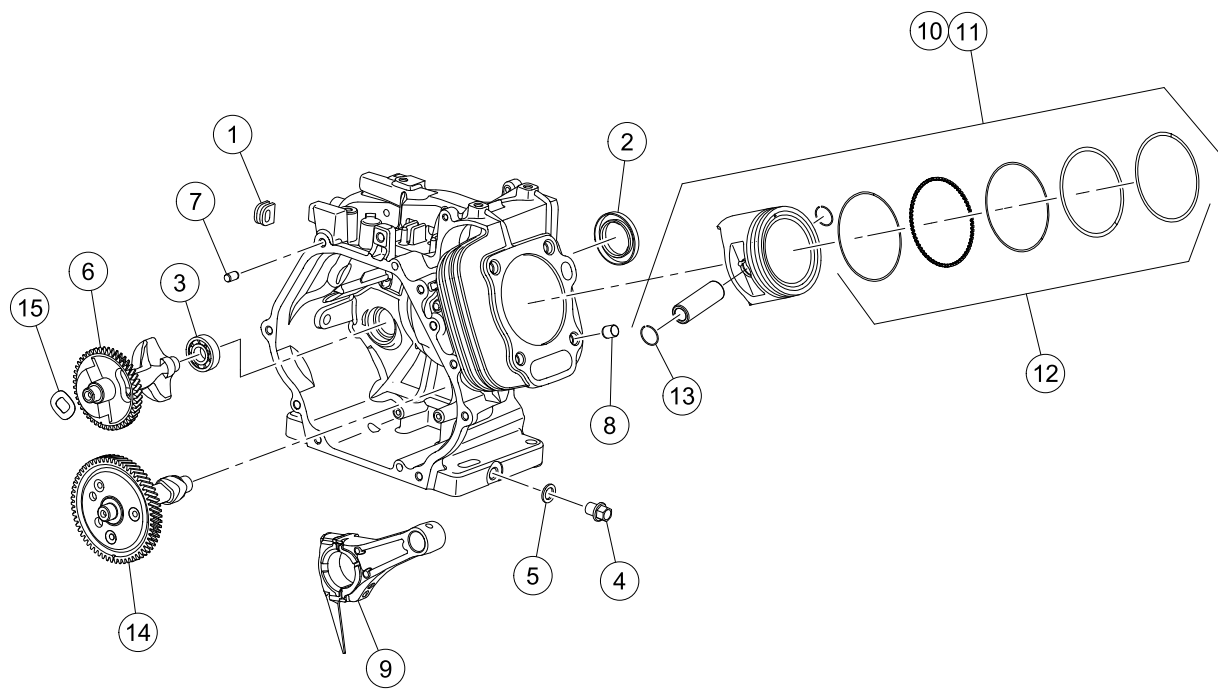
G



G-040599-000001

CYLINDER HEAD AND VALVE – ECH440

ITEM	PART NO.	DESCRIPTION	QTY	8
		1 2 3 4		G
1	47629711001	Assembly, Cylinder Head, Kohle	1	
2	47629714001	Screw, Valve Cover Seal Assy,	1	
3	47629716001	Gasket, Valve Cover, Kohler	1	
4	47629717001	Screw, Hex Flange Cylinder Hea	4	
5	47629718001	Kit, Head Gasket, Kohler	1	
6	47629719001	Valve, Intake, Kohler	1	
7	47629720001	Valve, Exhaust, Kohler	1	
8	47629722001	Seal, Valve Stem, Kohler	2	
9	47629723001	Spring, Valve, Kohler	2	
10	47629724001	Retainer, Valve Spring, Kohler	2	
11	47629725001	Lifter, Valve, Kohler	2	
12	47629726001	Rod, Push, Kohler	2	
13	47629727001	Plate, Pushrod Guide, Kohler	1	
14	47629728001	Stud, Rocker, Kohler	2	
15	47629729001	Arm, Rocker, Kohler	2	
16	47629730001	Pivot, Rocker Arm, Kohler	2	
17	47629768001	Nut, Hex Jam, Kohler	2	
18	47629822001	Hose, Breather, Kohler	1	
19	47629823001	Valve Cover Assembly, Kohler	1	
20	47629824001	Sleeve, Anti Abrasion, Kohler	1	
21	47629825001	Clamp, Hose, Kohler	1	



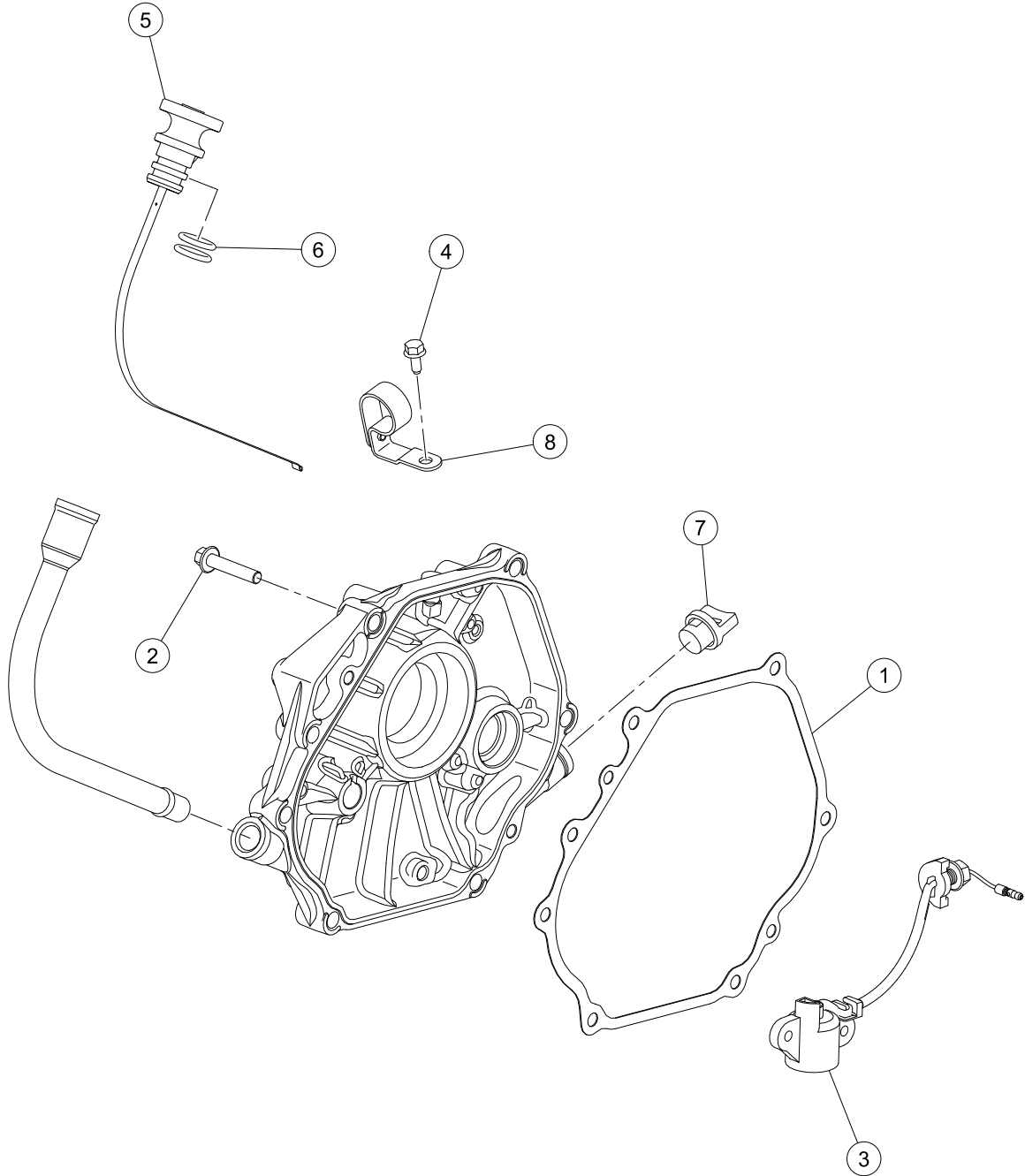
G-040399-000001

CRANKCASE AND PISTON – ECH440

ITEM	PART NO.	DESCRIPTION	QTY
		1 2 3 4	
1	47629677001	Grommet, Crankcase,kohler	1
2	47629680001	Seal, Crankcase, Kohler	2
3	47629682001	Bearing, Balancing Shaft, Kohl	2
4	47629685001	Kit, Drain Plug, Kohler	2
5	47629686001	Washer, Drain Plug, Kohler	2
6	47629687001	Shaft, Balance, Kohler	1
7	47629688001	Pin, Dowel, Kohler	2
8	47629689001	Pin, Dowel Cylinder Head, Kohl	2
9	47629690001	Rod, Connecting Assembly,kohle	1
10	47629691001	Kit, Piston Wing Set (std), Ko	1
11	47629693001	Kit, Piston (0.25 O.s.), Kohle	1
12	47629694001	Ring Set, Kohler	2
13	47629696001	Retainer, Piston, Kohler	2
14	47629697001	Camshaft Assembly, Kohler	1
15	47629698001	Spring, Wave, Kohler	1

8

G



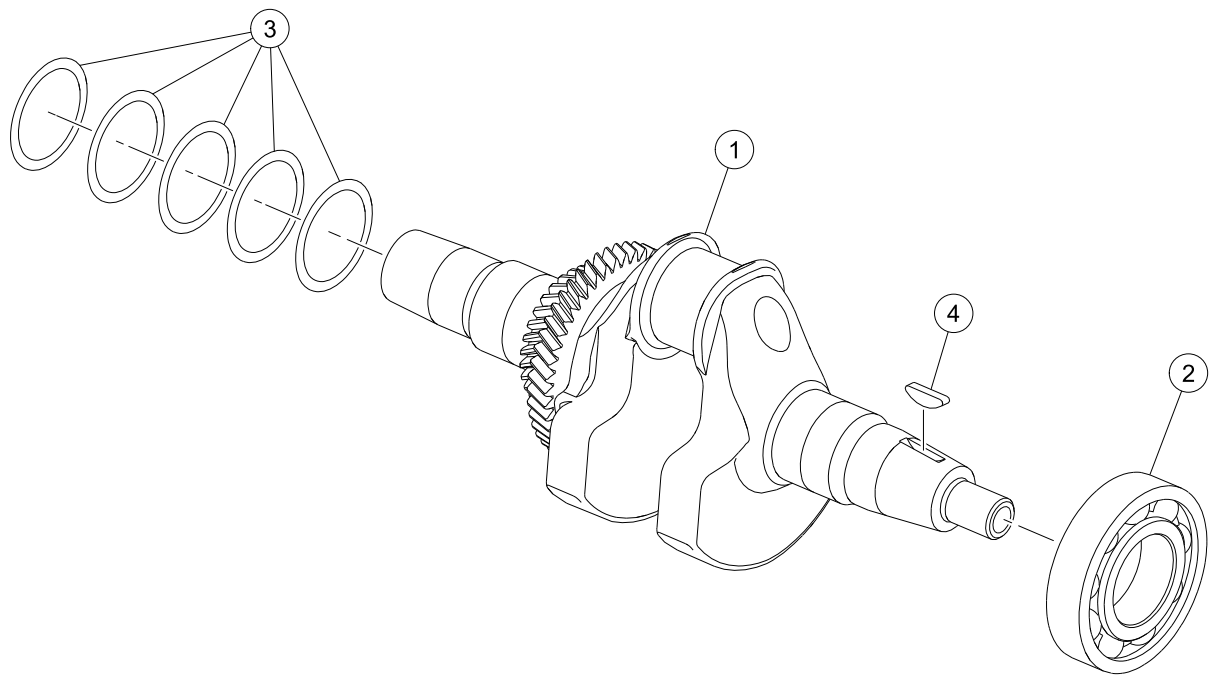
G-040699-000001

OIL SENSOR AND LUBRICATION – ECH440

ITEM	PART NO.	DESCRIPTION	QTY
		1 2 3 4	
1	47629699001	Gasket, Closure Plate, Kohler	1
2	47629700001	Screw, Closure Plate, Kohler	7
3	47629701001	Switch, Oil Sensor Assembly, K	1
4	47629702001	Screw, Hex Flange (m6), Kohler	18
5	47629703001	Dipstick, Assembly, Kohler	1
6	47629705001	O-ring, Dipstick Cap, Kohler	2
7	47629707001	Cap Assy, Oil Fill, Kohler	1
8	47629709001	Bracket, Dipstick Tub, Kohler	1

8

G



G-040299-000001

CRANKSHAFT – ECH440

ITEM	PART NO.	DESCRIPTION	QTY
		1 2 3 4	
1	47629583001	Crankshaft Assembly, Kohler	1
2	47629585001	Bearing, Crankshaft, Kohler	2
3	47629588001	Kit, Shims, Kohler	5
4	47629589001	Key, Flywheel, Kohler	1

8

G

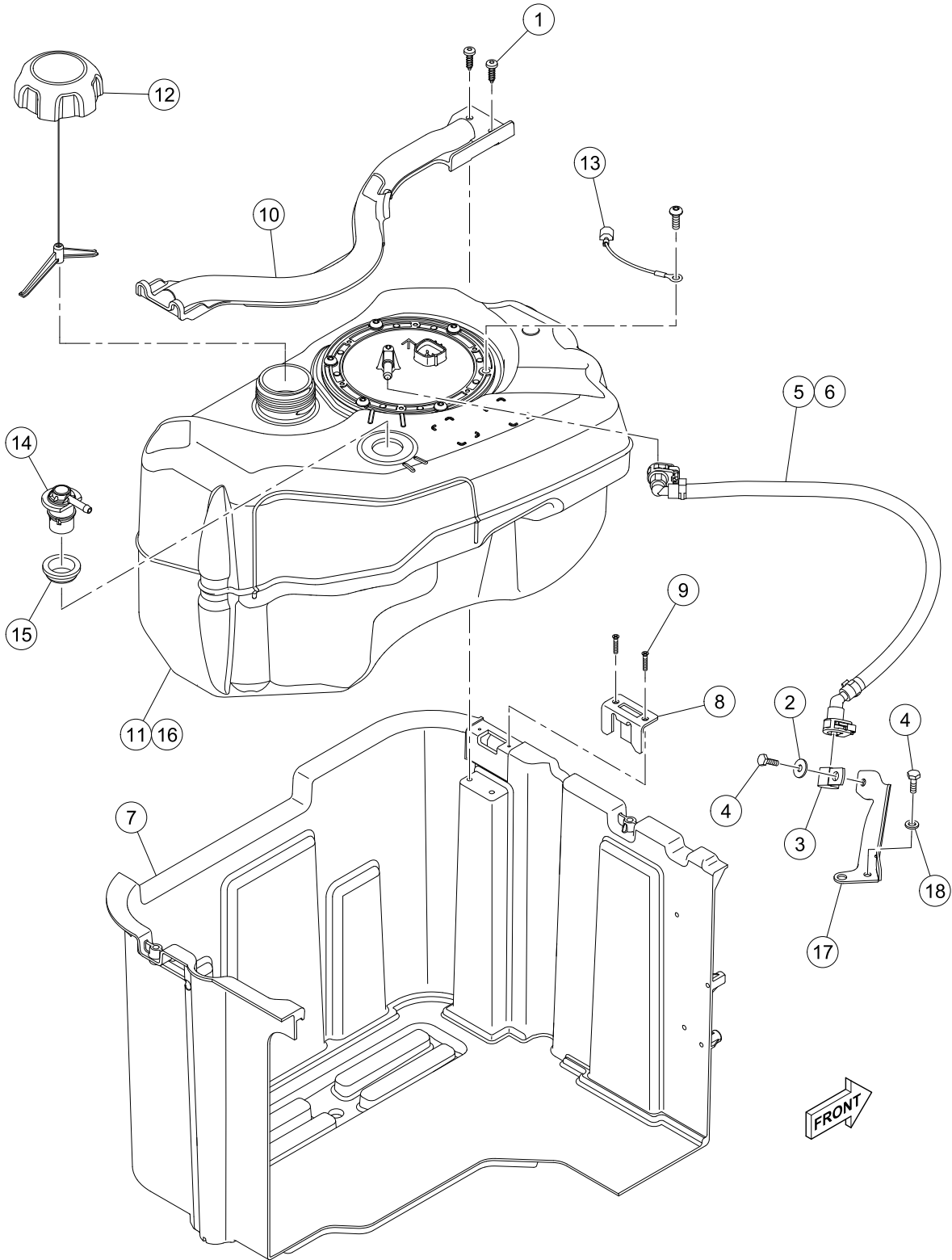
8

G

FUEL SYSTEM – EFI

9

G

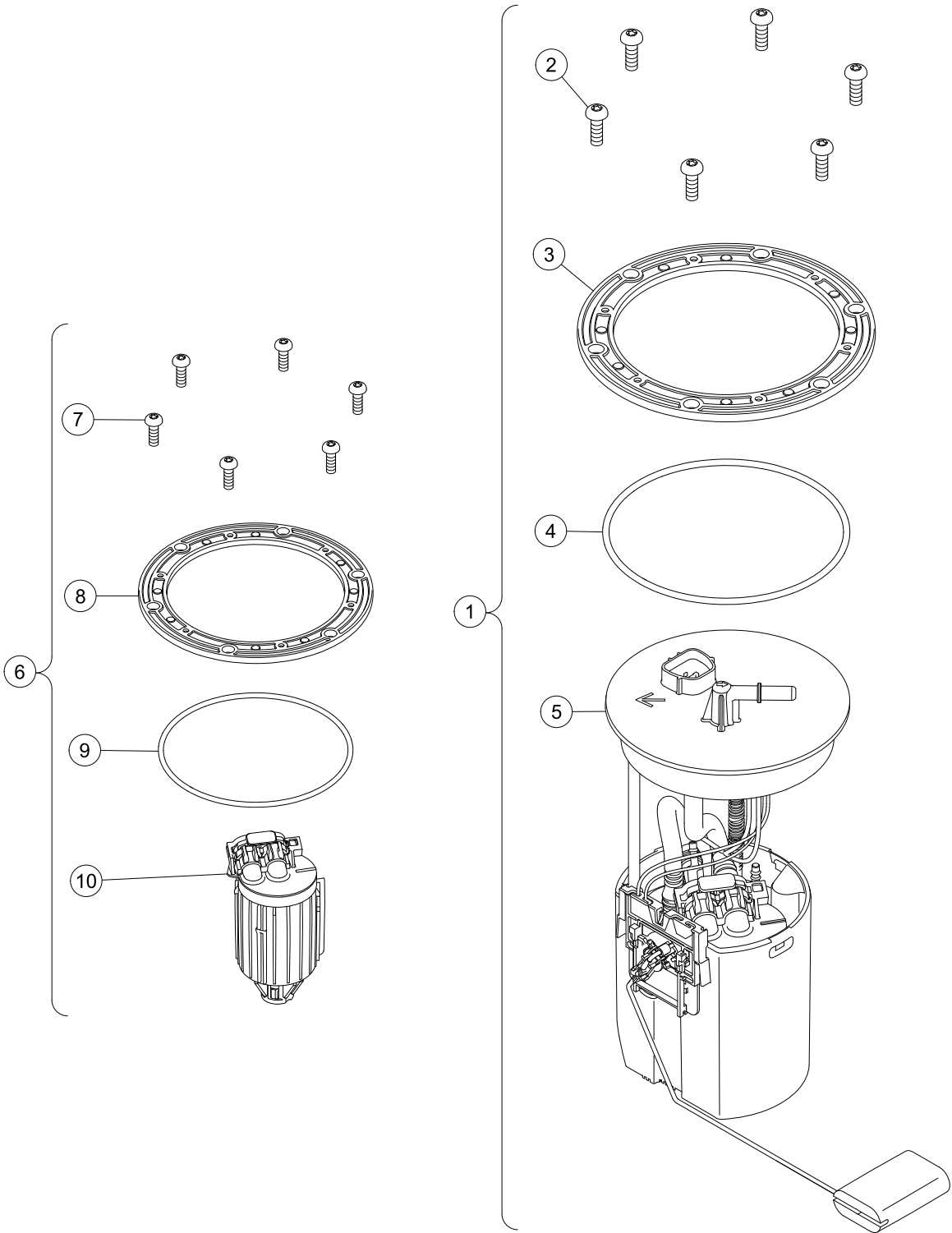


G-100499-000001

FUEL TANKS

9
G

ITEM	PART NO.	DESCRIPTION	QTY
		1 2 3 4	
1	102296020	Screw-torx Pan Head Pt, M6x20	2
2	102296301	Washer, M6x18x1.6 Flat	1
3	102410604	P-clamp, Insulated, 0.625 Inch	1
4	102490301	Bolt, M6 X 1 X 16, Loctite	1
5	47602210001	Asm, Fuel Line, Glf, Csmr	1
6	47602210002	Asm, Fuel Line, Csmr, Lift	1
7	47610134002	Bucket, Gas Vehicle, Glf, Csmr (includes items 8 and 9)	1
8	103470701	Bracket, Bucket Hinge	2
9	N/A	Screw, #6 X .75, Cs Ss, Hi-lo	4
10	47610135001	Retainer, Tank	1
11	47622750001	Asm, Tank, Fuel, With Sending Unit 50psi (includes items 12 through 15)	1
12	103372101	Cap, Fuel Tank, Gas, Ratchet	1
13	105143301	Wire, Ground, Fuel Tank	1
14	47611876001	Vent Rov, Fuel Tank, Precedent	1
15	47611877001	Grommet, Fuel Tank, Vent	1
16	47622750002	Asm, Fuel Tank, No Sending Unit,50psi	1
17	47643624002	Bracket, Fuel Line	1
18	96705199	Washer, M6	1
<p>Note: Items 12 through 15 apply to items 11 and 16.</p>			



G-100699-000001

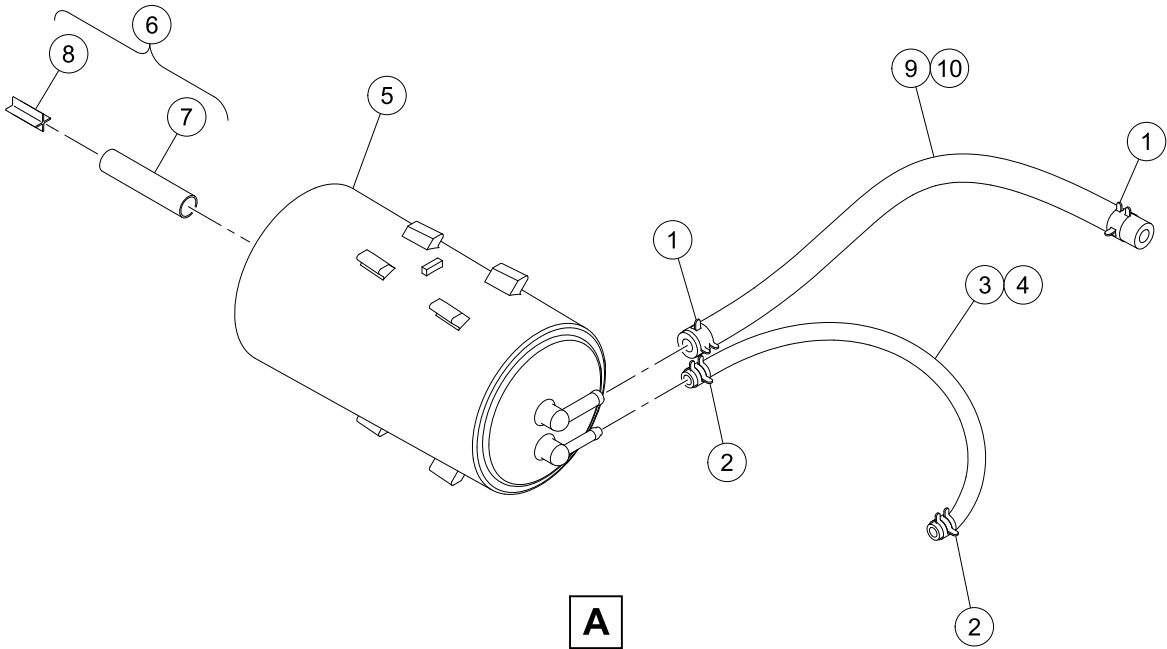
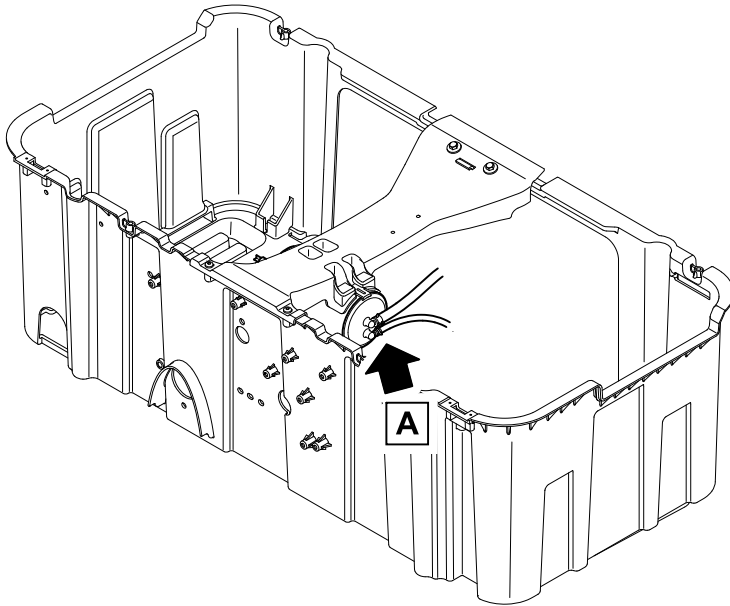
FUEL PUMP AND FUEL FILTER KITS

ITEM	PART NO.	DESCRIPTION	QTY
		1 2 3 4	
1	47622330001	Kit, Fuel Pump Module, 50 Psi (includes items 2 through 5)	1
2	102025801	Screw, 1/4-20 X .75 Torx Pn Hd	6
3	105043801	Fuel Module, Hold Down Ring	1
4	105043901	O-Ring, Fuel Module	1
5	N/A	Fuel Pump Module Su 50psi	1
6	47623339001	Kit, Fuel Filter, 50 Psi (includes items 7 through 10)	1
7	102025801	Screw, 1/4-20 X .75 Torx Pn Hd	6
8	105043801	Fuel Module, Hold Down Ring	1
9	105043901	O-Ring, Fuel Module	1
10	N/A	Fuel Filter, 50psi	1
<p>Note: Fuel pump kits are supplied with a sending unit for all field replacement kits.</p>			

9

G

9
G



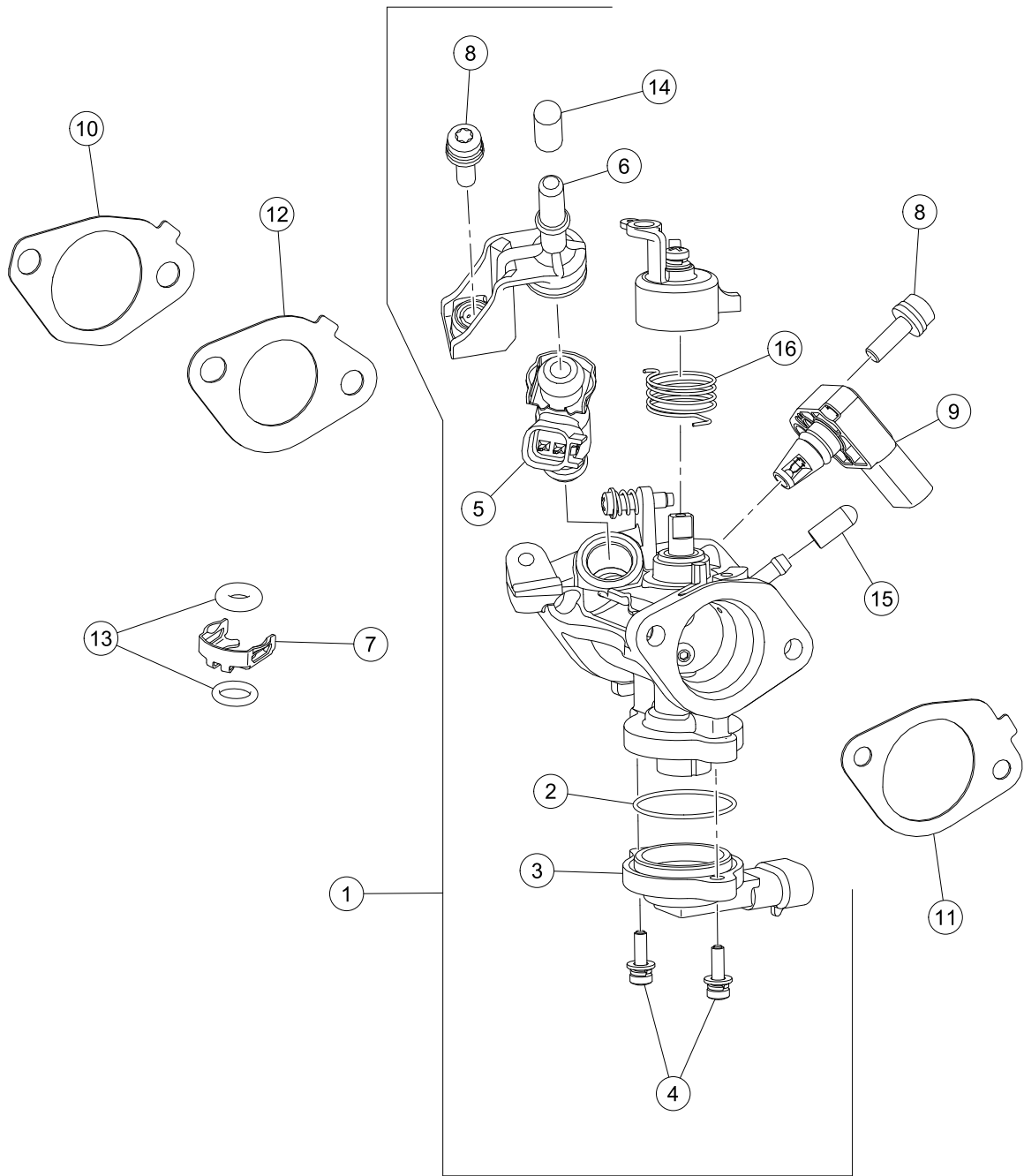
G-100399-00002

CARBON CANISTER – EFI

ITEM	PART NO.	DESCRIPTION	QTY
		1 2 3 4	
1	1012649	Clamp, 0.460 Red Hose	2
2	1013746	Clamp, 0.301 ID Hose	2
3	101587711	Hose, Fuel, Vent, 11.5" Long	1
4	101587712	Hose, Fuel, Vent, 12.5" Long	1
5	103372401	Canister, Carbon	1
6	103756401	Asm, Vent Line, Carbon Canister (includes items 7 and 8)	1
7	N/A	Hose, Vent, 5/16 I.D., Bulk	1
8	N/A	Vent, Barb, 5/16 I.D. Hose	1
9	103896607	Hose, Vent, 1/4 Id, 11.5 In (includes item 10)	1
10	47560464001	Hose, Fuel 1/4saej1737 Bulk	A/R
Note: Bulk hose material for items 3 (non-lifted only) and 4 (lifted only) can be ordered using part number 1015137.			

9

G

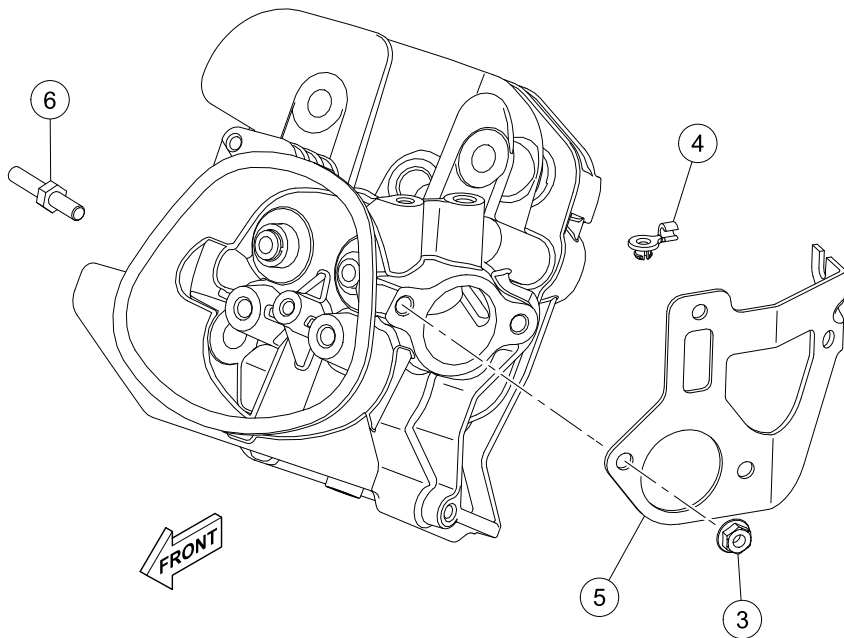
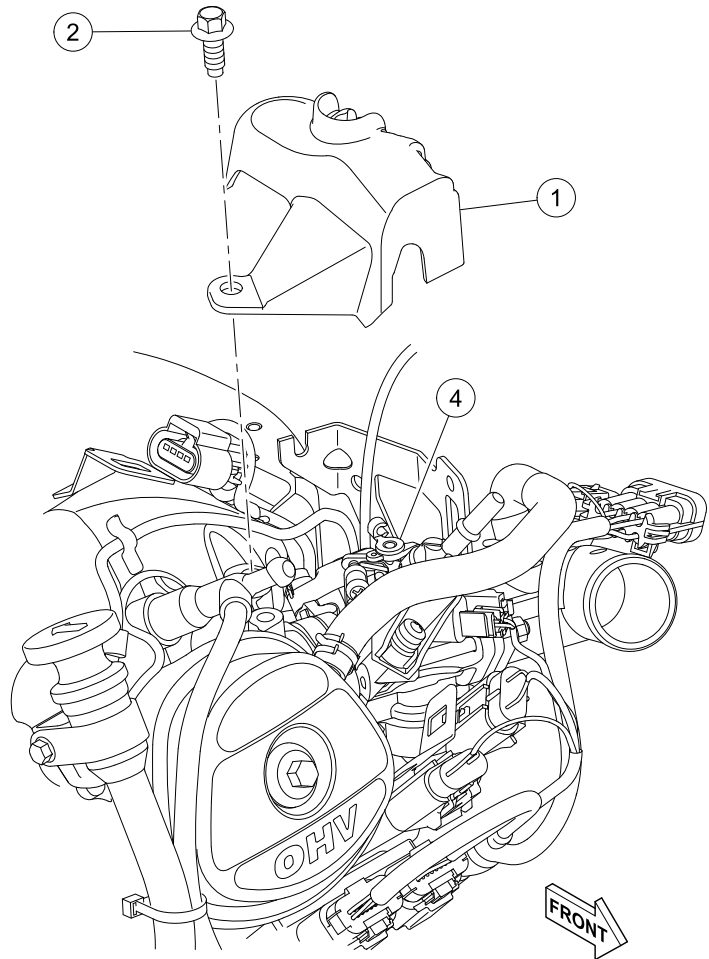


G-100199-000001

THROTTLE BODY AND MOUNTING

ITEM	PART NO.	DESCRIPTION	QTY
		1 2 3 4	
1	47629857001	Throttle Body, Assembly, Kohle	1
2	47629858001	O-ring, Kohler	1
3	47629859001	Kit, Tps, Kohler	1
4	47629860001	Screw, Hexalobular, M4 X 0.7 X	2
5	47629861001	Injector, Fuel, Kohler	1
6	47629862001	Cap, Fuel Inector, Kohler	1
7	47629864001	Clip, Retainer, Kohler	1
8	47629865001	Screw, Hexalobular, M6 X 1 Sem	2
9	47629866001	Sensor, T-map, Kohler	1
10	47629867001	Kit, Gasket Intake, Kohler	1
11	47629868001	Gasket, Throttle Body, Kohler	1
12	47629869001	Gasket, Insulator To T-body, K	1
13	47629870001	Kit, Fuel Injector O-ring, Koh	1
14	47629871001	Cap, Masking, Kohler	1
15	47629872001	Cap, Masking, Kohler	1
16	47629874001	Spring, Return, Kohler	1

9
G

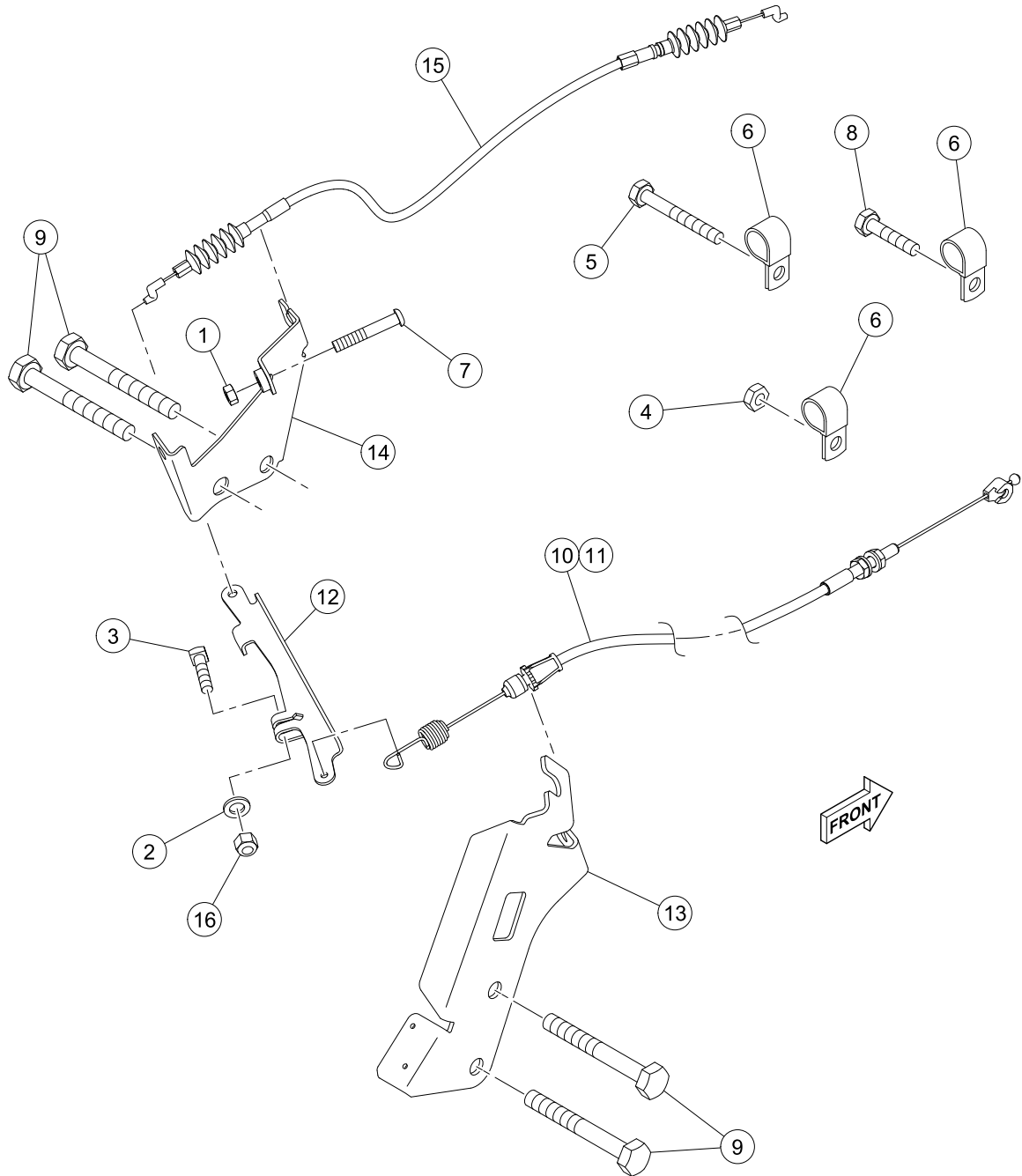


G-040999-000002

GOVERNOR BRACKET AND COVER – EFI

ITEM	PART NO.	DESCRIPTION	QTY
		1 2 3 4	
1	47612352001	Cover, Governor, Ech 440	1
2	47617158001	M8-1.25 X 16 Lg, Pan Hd, Torx	2
3	47629875001	Nut, Hex Flange Lock (m6), Koh	2
4	47629876001	Bushing, Linkage Retainer, Koh	1
5	47629877001	Bracket, Governor, Kohler	1
6	47629878001	Stud, Ground, Kohler	1

9
G

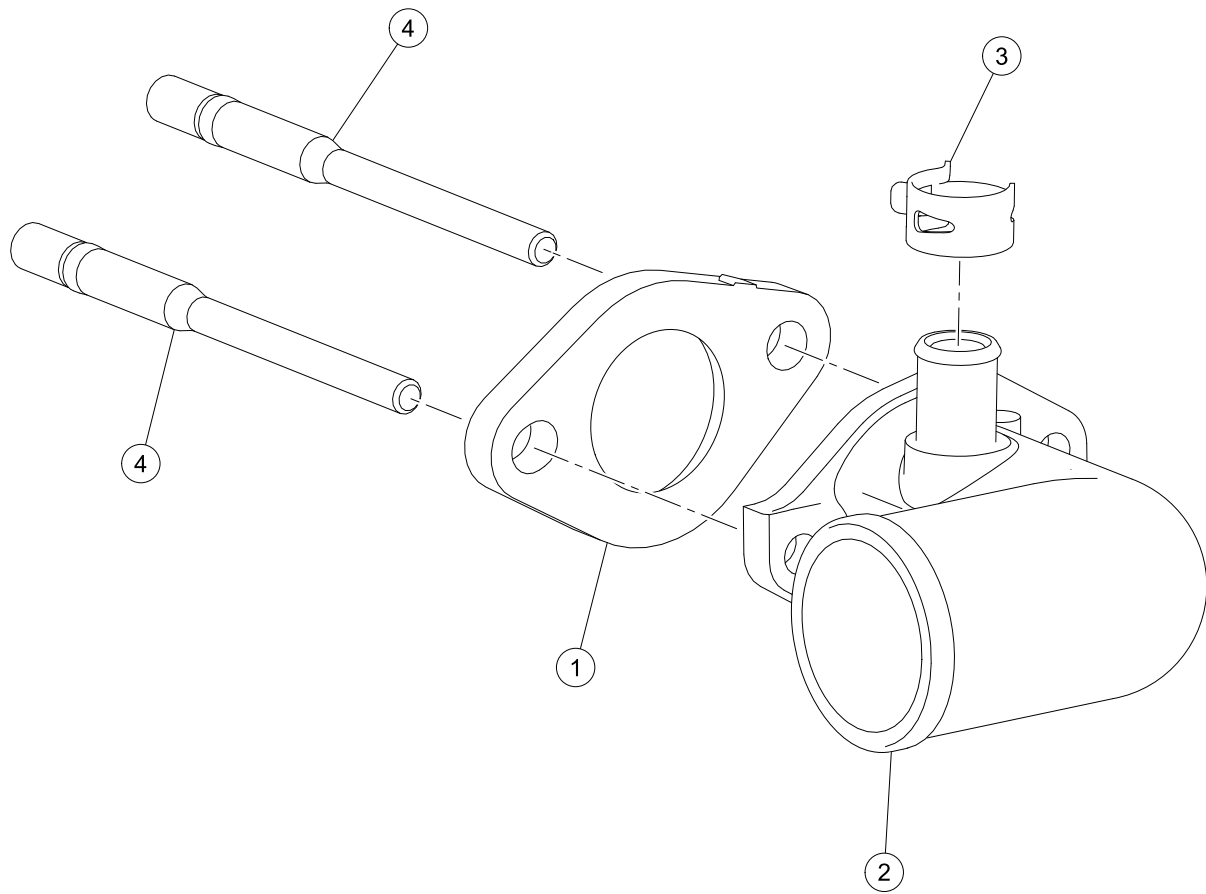


G-100599-000002

GOVERNOR AND ACCELERATOR CABLES – EFI

ITEM	PART NO.	DESCRIPTION	QTY
		1 2 3 4	
1	1011114	Nut, M6-1.00 Hex	2
2	1014007	Washer, 1/4, Flat	1
3	101886101	Screw, 1/4-20 X 1.00, Square-Head	1
4	101887601	Locknut, M6-1.00 Nylon Insert	1
5	102296716	Screw, M6 X 16 Tt Hx Fl Hd	1
6	102410604	P-clamp, Insulated, 0.625 Inch	3
7	102476401	Bolt, Stop, Pedal	1
8	102490301	Bolt, M6 X 1 X 16, Loctite	1
9	102498201	Bolt, M10 X 1.25 X 25, Loctite	2
10	103982001	Cable, Accelerator, Std Speed	1
11	103982002	Cable, Accelerator, High Speed	1
12	104023501	Arm, Governor, ED65	1
13	105135101	Bracket, Cable, FNR/Accelerator, ED65	1
14	105144401	Weldment, Governor Bracket	1
15	47601355001	Cable, Governor, Z Fit 90 Fit	1
16	8233	Locknut, 1/4-20, Nylon Insert	1

9
G



G-040999-000003

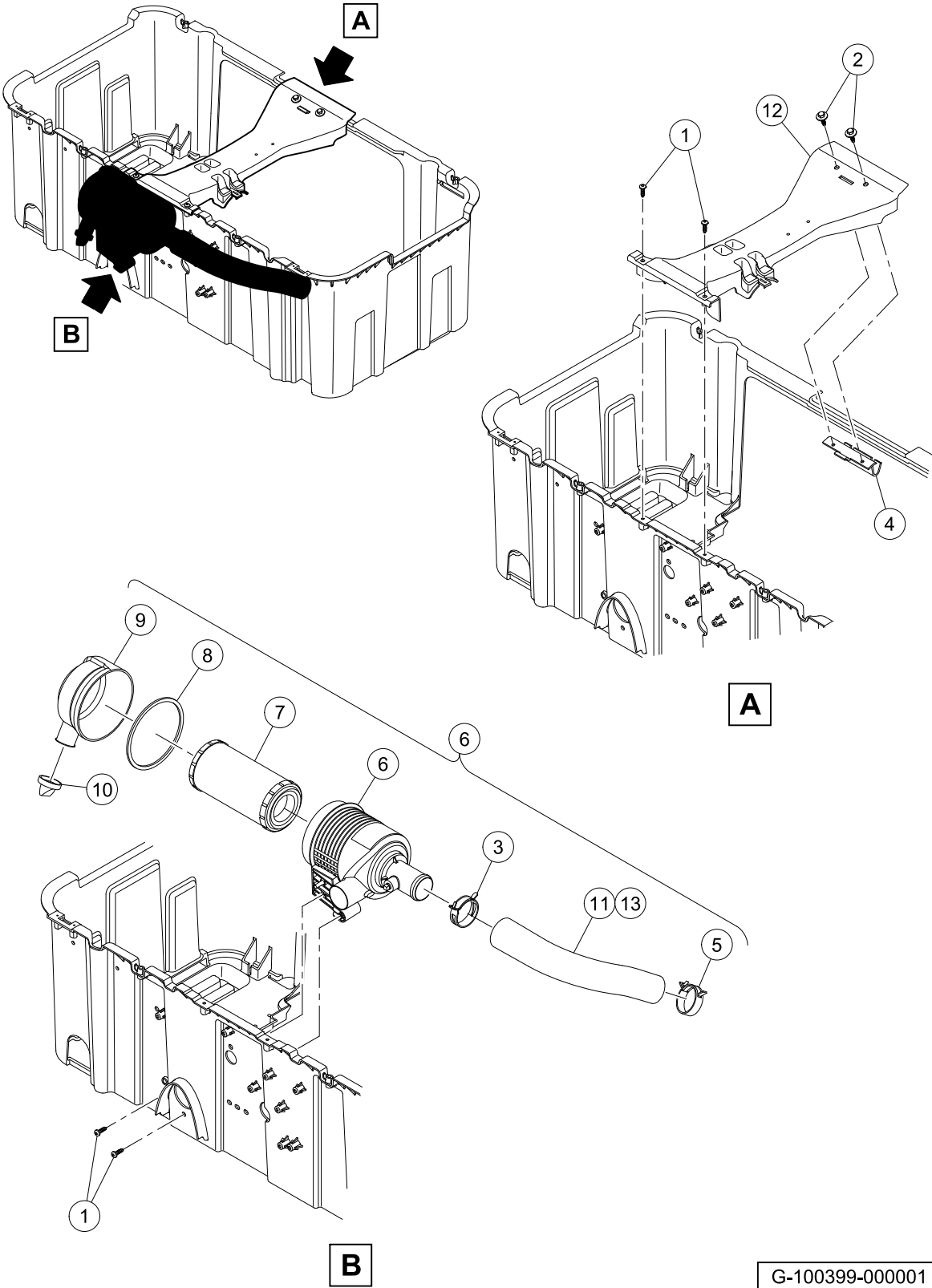
AIR INTAKE ELBOW – EFI

ITEM	PART NO.	DESCRIPTION	QTY
		1 2 3 4	
1	47629879001	Insulator Throttle Body, Kohler	1
2	47629880001	Elbow, Air Inlet, Kohler	1
3	47629881001	Clamp, Breather Hose, Kohler	1
4	47629882001	Stud, Intake, Kohler	2

9

G

9
G



G-100399-000001

AIR FILTER SYSTEM AND INTAKE HOSE – EFI

ITEM	PART NO.	DESCRIPTION	QTY
		1 2 3 4	
1	102296020	Screw-torx Pan Head Pt, M6x20	4
2	102297125	Screw, M6-1.0x25.4, Thread-Forming, SEMS	2
3	102411209	Clamp, Hose, Ctb 55mm Dia.	1
4	102521401	Support, Gas Bucket Brace	1
5	102558301	Clamp, Air Intake	1
6	105009001	Air Cleaner, with EFI (includes items 7 through 10)	1
7	102558201	Air Filter, 4 Inch	1
8	102558501	Gasket, Air Intake	1
9	102558601	Asm, Cover, Air Intake	1
10	102558701	Evac Valve, Air Intake	1
11	47560765001	Hose, Intake, Lift, Csmr	1
12	47610136001	Brace, Gas Fuel Bucket	1
13	47615815001	Hose, Intake, Extr, 327 Lg	1
Note: Item 11 is for lifted vehicles only. Item 13 is for non-lifted vehicles only.			

9

G

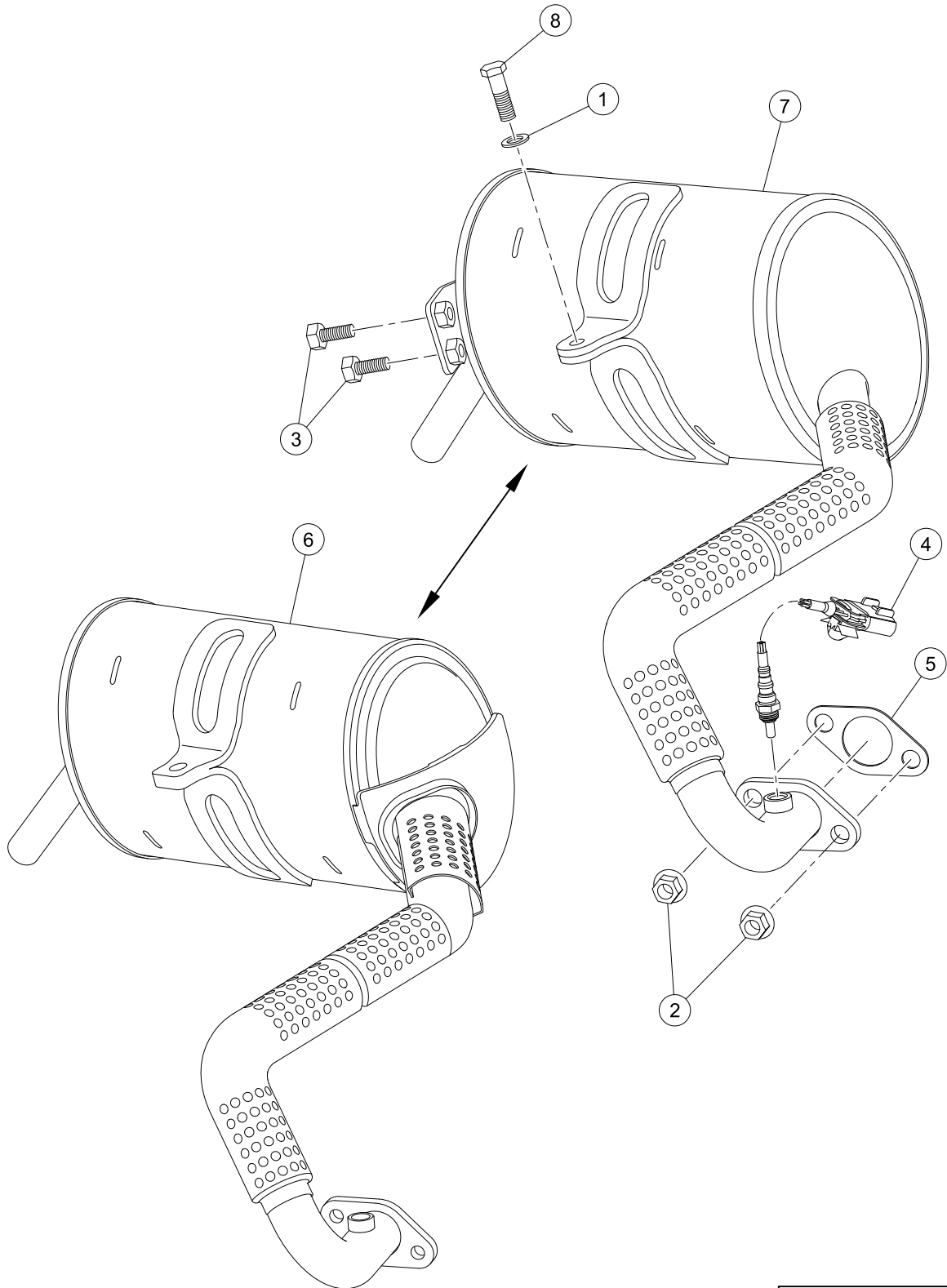
9

G

EXHAUST SYSTEMS – ECH440

10

G



G-110199-000003

EXHAUST SYSTEMS

ITEM	PART NO.	DESCRIPTION	QTY
		1 2 3 4	
1	1011697	Washer, 5/16 Flat	1
2	102298401	Nut, M8, All Metal Lock	2
3	102922701	Bolt, Flanged Head, M8x1.25x20 Lock Patch	2
4	47611209001	Asm, Sensor, Oxygen, Heated	1
5	47611210001	Gasket, Exhaust, Grpht, Ech440	1
6	47649808001	Exhaust, LTFF, ECH440	1
7	47649808002	Exhaust, Utility, ECH440	1
8	96705587	Bolt, M8 X 1.25 X 30	1

10
G

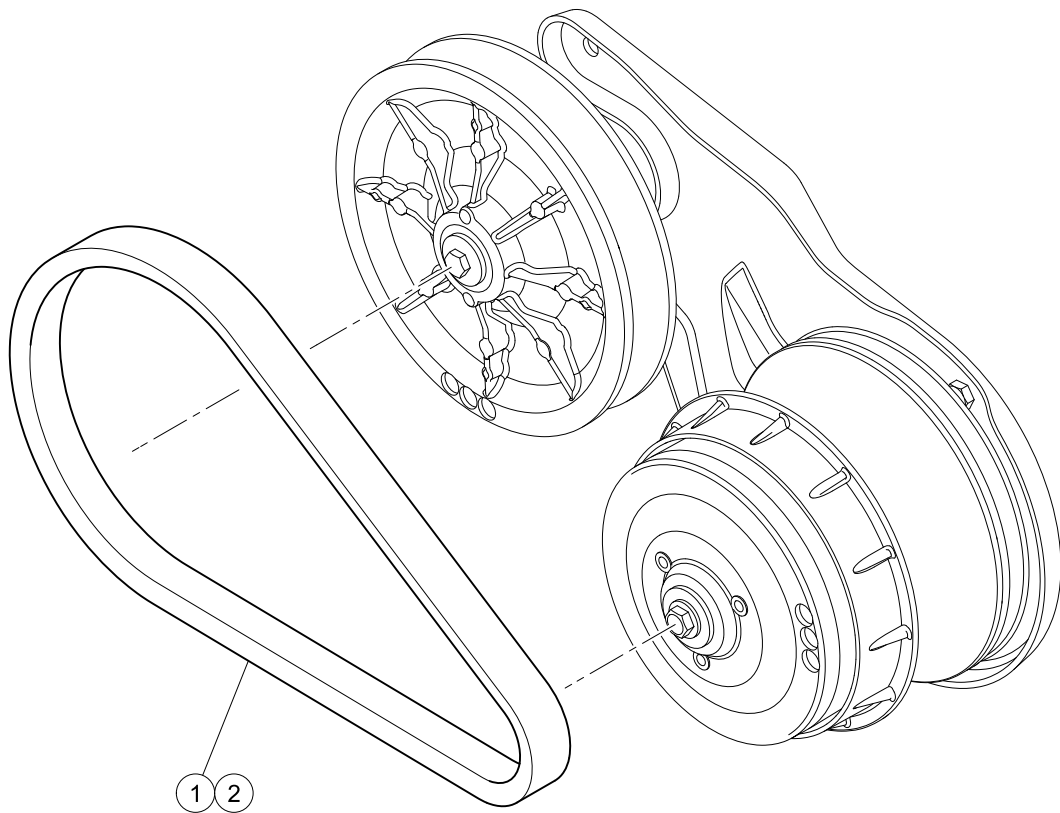
10

G

DRIVE BELT AND CLUTCHES – EFI GASOLINE VEHICLES

11

G

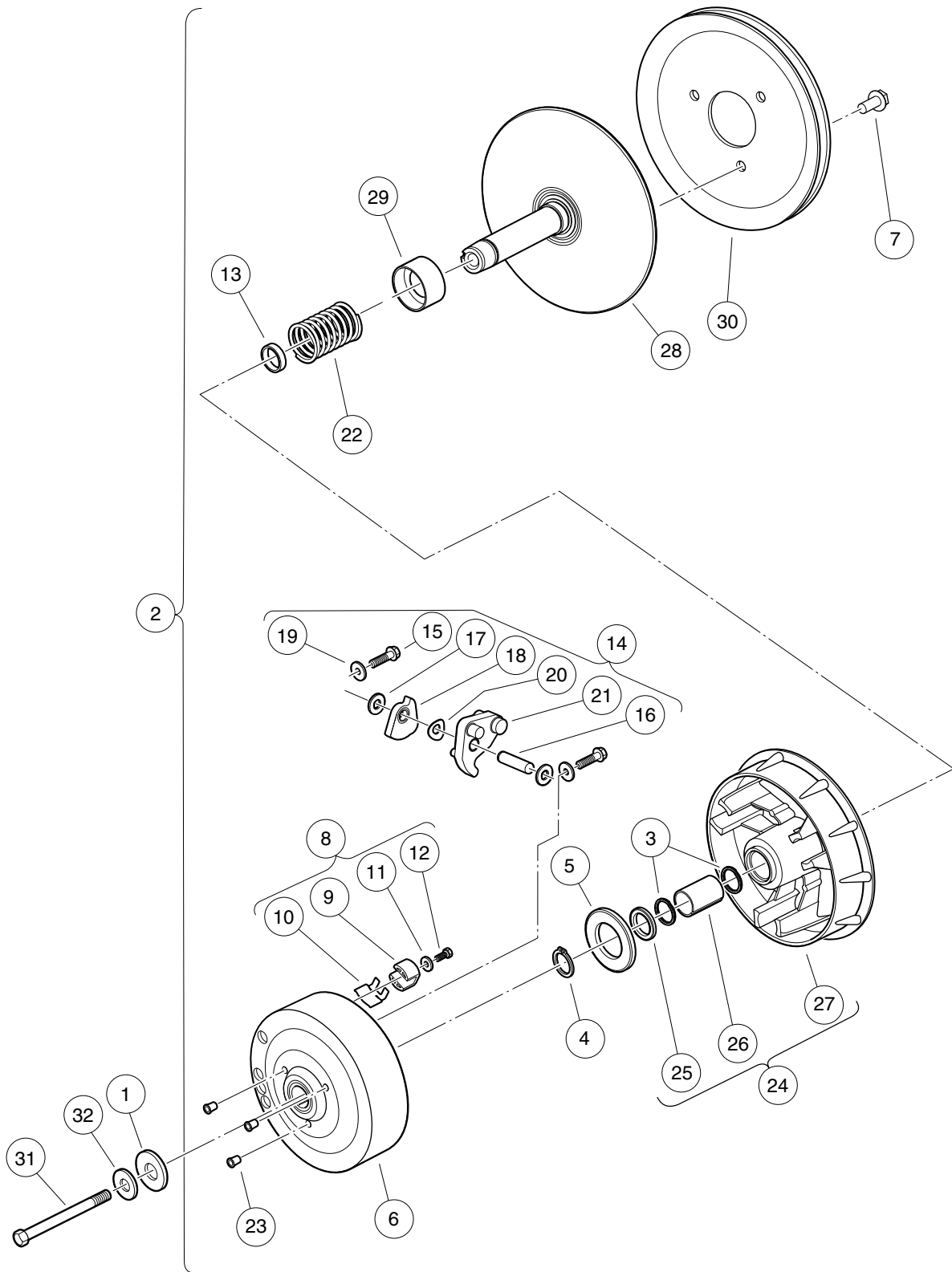


G-060099-000001

DRIVE BELTS – EFI

ITEM	PART NO.	DESCRIPTION	QTY
1	103974102	1 2 3 4 Belt, Drive, Key-Start	1
2	105245801	Belt, Drive, Pedal-Start	1

11
G



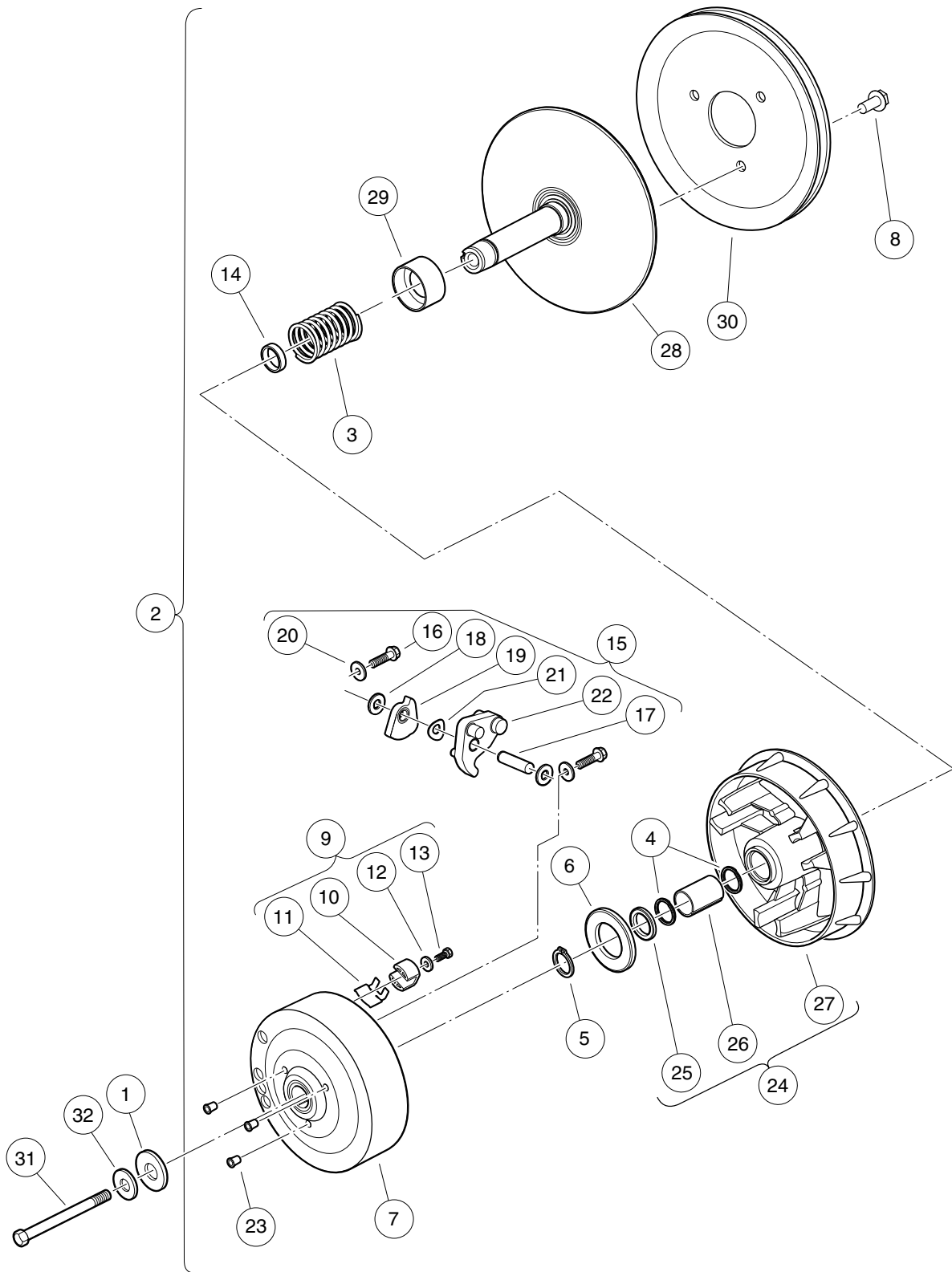
000958-002

DRIVE CLUTCH – KEY-START VEHICLES

ITEM	PART NO.	DESCRIPTION	QTY
		1 2 3 4	
1	102491501	Washer, Hard, M10	1
2	103973902	Clutch, Drive, Key-Start (includes items 3 through 30)	1
3	1014056	Ring, Spiral Backup	2
4	1014057	Ring, 0.810" Internal Retaining	1
5	1014058	Thrust Washer	1
6	1014059	Drive Hub Assy, Drive Clutch	1
7	1014288	Screw, 5/16-18 X 0.75, Thread-Forming	3
8	1014453	Kit, Drive Clutch Button (includes items 9 through 12)	1
9	1014062	Driver, Drive Clutch	3
10	1014287	Spring, Drive Button	3
11	183	Washer, #10, Type A, Flat	3
12	8450	Screw, #10-24 X 0.50, Hex-Head	3
13	1016289	Spacer, Fixed Face Shaft	1
14	1016801	Kit, Drive Clutch Weight (includes items 15 through 21)	1
15	1014063	Screw, 1/4-20 X 1.00, Hex Head	6
16	N/A	Pin, Dowel, 0.3752 x 1.50	3
17	1014065	Washer, Flat, 0.38" ID, Delrin	6
18	N/A	Clutch Weight, Secondary	3
19	N/A	Washer	6
20	1016201	Washer, Wave	3
21	N/A	Weight, Primary	3
22	1016901	Spring, Drive Clutch	1
23	N/A	Cap Plug	3
24	103974201	Asm, Sheave, Moveable, Drive, Wr (includes items 25 through 27)	1
25	1014055	Retainer	1
26	N/A	Bushing, Split, Drive Clutch	1
27	N/A	Sheave, Moveable, Drive, Wr	1
28	103974401	Sheave, Fixed, Drive, Wr	1
29	103984601	Spacer, Idler, Drive	1
30	105096101	Pulley, 7.3 Inch Effective Dia	1
31	103976101	Screw, 3/8-24x5.75, Patch	1
32	334	Washer, 3/8, Type A, Flat	1

11

G



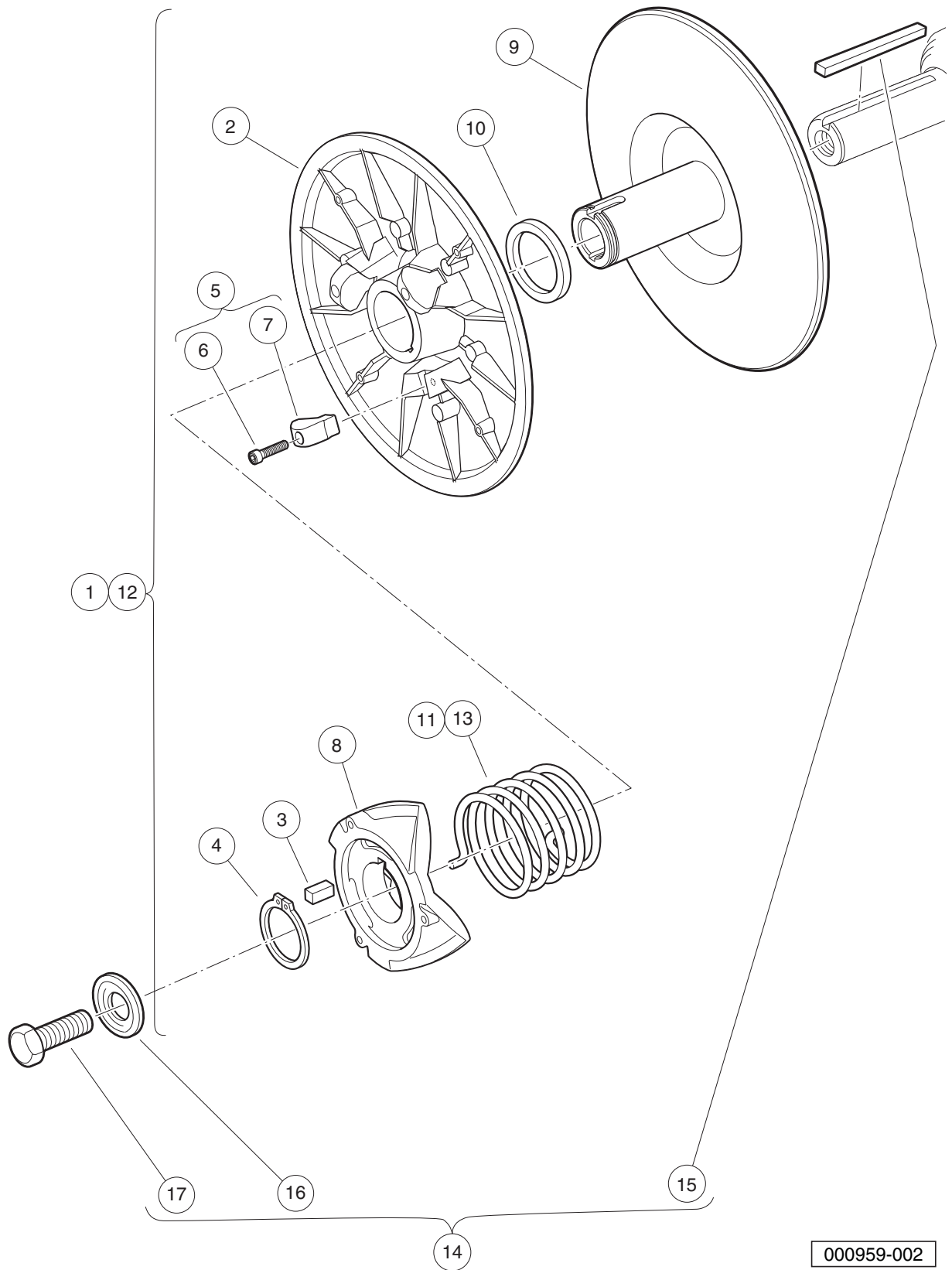
000958-001

DRIVE CLUTCH – PEDAL-START VEHICLES

ITEM	PART NO.	DESCRIPTION	QTY
		1 2 3 4	
1	102491501	Washer, Hard, M10	1
2	103973901	Clutch, Drive, Pedal-Start (includes items 3 through 30)	1
3	1014051	Spring, Drive Clutch	1
4	1014056	Ring, Spiral Backup	2
5	1014057	Ring, 0.810" Internal Retaining	1
6	1014058	Thrust Washer	1
7	1014059	Drive Hub Assy, Drive Clutch	1
8	1014288	Screw, 5/16-18 X 0.75, Thread-Forming	3
9	1014453	Kit, Drive Clutch Button (includes items 10 through 13)	1
10	1014062	Driver, Drive Clutch	3
11	1014287	Spring, Drive Button	3
12	183	Washer, #10, Type A, Flat	3
13	8450	Screw, #10-24 X 0.50, Hex-Head	3
14	1016289	Spacer, Fixed Face Shaft	1
15	1016801	Kit, Drive Clutch Weight (includes items 16 through 22)	1
16	1014063	Screw, 1/4-20 X 1.00, Hex Head	6
17	N/A	Pin, Dowel, 0.3752 x 1.50	3
18	1014065	Washer, Flat, 0.38" ID, Delrin	6
19	N/A	Clutch Weight, Secondary	3
20	N/A	Washer	6
21	1016201	Washer, Wave	3
22	N/A	Weight, Primary	3
23	N/A	Cap Plug	3
24	103974201	Asm, Sheave, Moveable, Drive, Wr (includes items 25 through 27)	1
25	1014055	Retainer	1
26	N/A	Bushing, Split, Drive Clutch	1
27	N/A	Sheave, Moveable, Drive, Wr	1
28	103974401	Sheave, Fixed, Drive, Wr	1
29	103984601	Spacer, Idler, Drive	1
30	105096101	Pulley, 7.3 Inch Effective Dia	1
31	103976101	Screw, 3/8-24x5.75, Patch	1
32	334	Washer, 3/8, Type A, Flat	1

11

G



000959-002

DRIVEN CLUTCH – KEY START AND PEDAL START

ITEM	PART NO.	DESCRIPTION	QTY
		1 2 3 4	
1	47601767001	Asm, Clutch, Driven, Ccw, Blk (includes items 2 through 11)	1
2	1014072	Movable-Face Assembly with Bushing	1
3	1014078	Key, Driven Clutch	1
4	1014080	Ring, Retaining	1
5	1014454	Kit, Driven Clutch Button (includes items 6 and 7)	1
6	1012836	Screw, #8-32 X 3/4, Socket-Head Cap	3
7	N/A	Button, Drive	3
8	1017686	Cam, Driven Clutch	1
9	103975301	Sheave, Fixed, Driven, Wr	1
10	104025101	Washer, Acetal, Driven Clutch	1
11	47600218001	Spring, Drvn Clutch, Ccw, Blk	1
12	47601767002	Asm, Clutch, Driven, Ccw, Red	1
13	47601832001	Spring, Drvn Clutch, Ccw, Red	1
14	AM10419	Kit, Clutch Repair (includes items 15 through 17)	1
15	101833401	Key, 3/16 Sq X 1.50"	1
16	102155801	Washer, Driven Clutch	1
17	102242101	Screw, 5/16-18 X 3/4 Hex-Head with Patch	1
Note: Item 11 is only applicable to item 1. Item 13 is only applicable to item 12. All other details apply to both driven clutch assemblies.			

11

G

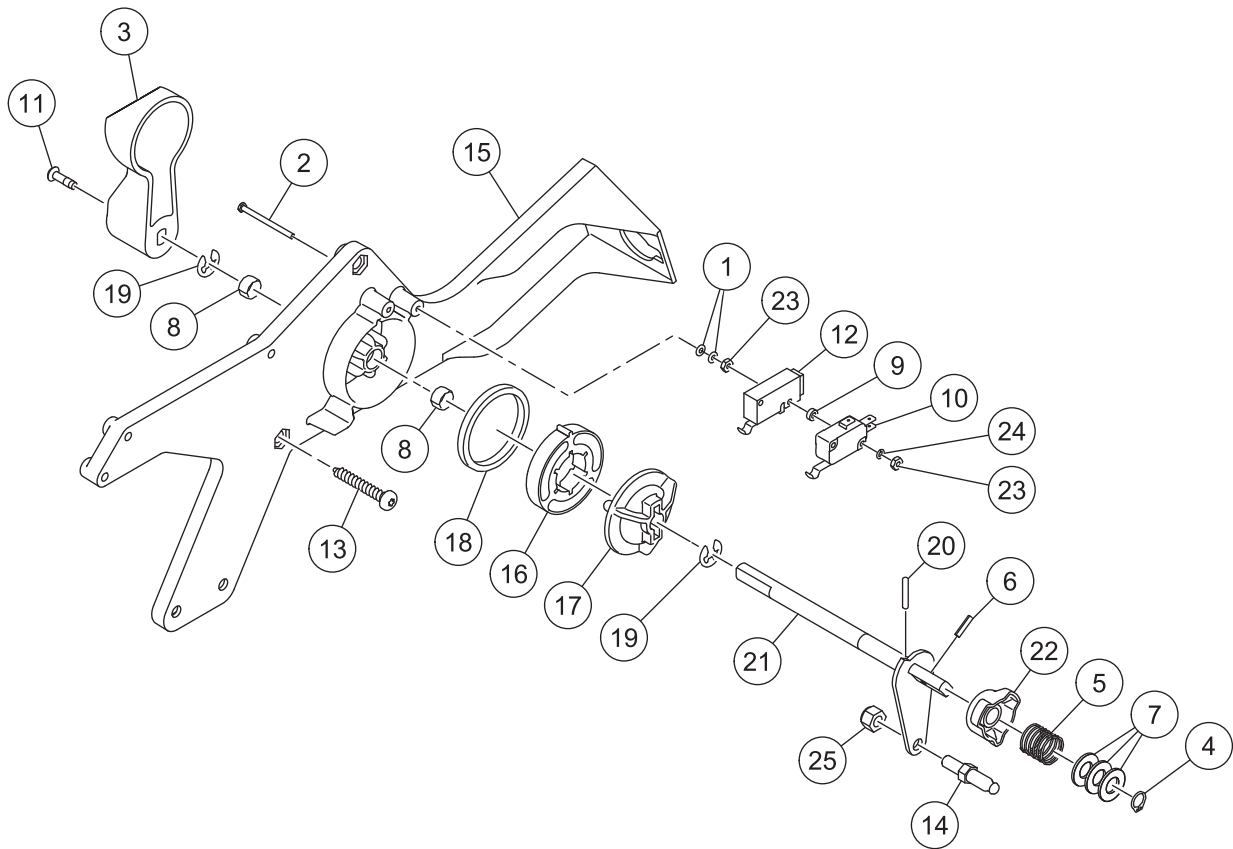
11

G

TRANSAXLE, FUJI ED65

12

G



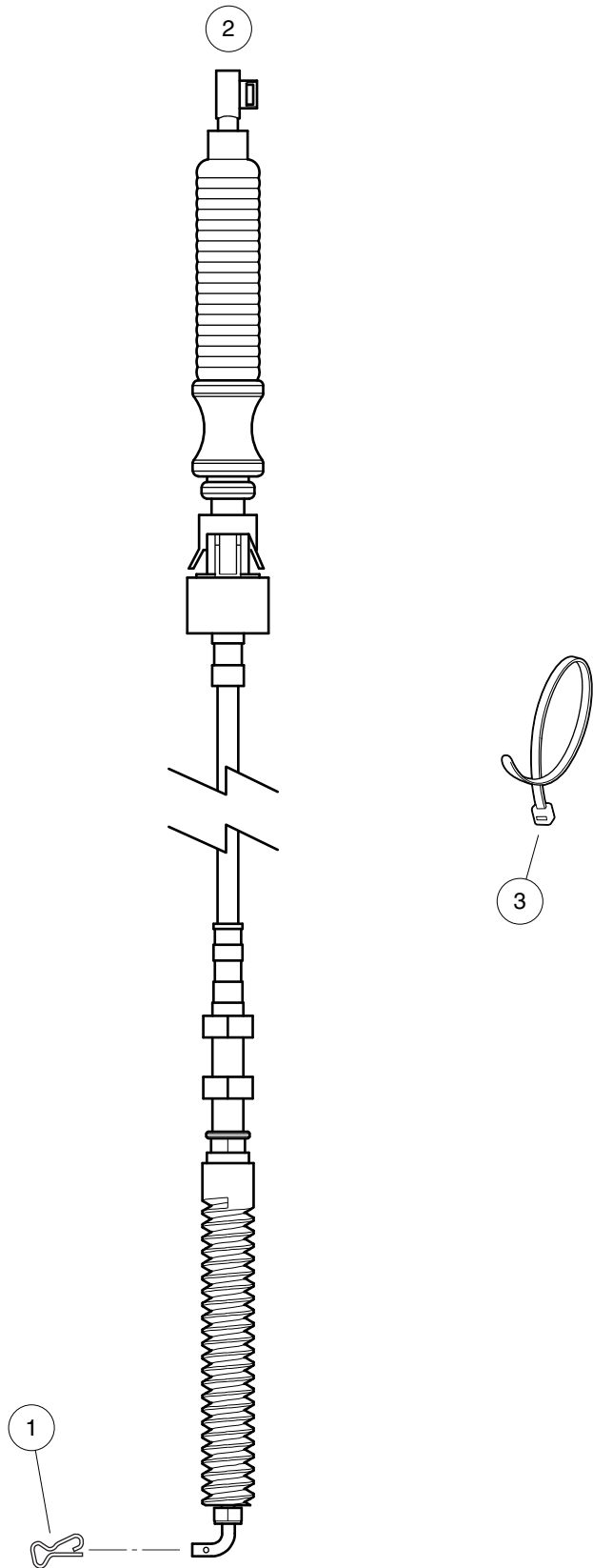
001063-003

FORWARD/REVERSE SHIFTER ASSEMBLY – EFI

ITEM	PART NO.	DESCRIPTION	QTY
		1 2 3 4	
1	1012431	Washer, #4 Flat	4
2	1012594	Screw, #4-40 Machine	2
3	1012987	Handle, FNR	1
4	1013589	Ring, Retaining, 0.338" Internal	1
5	1013590	Spring, FNR Cam	1
6	1013591	Pin, Roll, 1/8 X 1/2	1
7	1014065	Washer, Flat, 0.38" ID, Delrin	3
8	1014145	Bushing, Secondary Weight, Split	2
9	1014727	Washer, Flat, #4, Nylon	2
10	1014807	Switch, Limit	1
11	1015064	Screw, #8-32 X 0.63 Machine	1
12	101979101	Switch, Limit, Assembly, Sealed	1
13	102296040	Screw, Torx Pan Hd Pt, M6 X 40	3
14	102526201	Stud, Thread, 1/4-28	1
15	105037501	Housing, Gas FNR Body Shift	1
16	105037601	Cam, FNR Detent, 45 Degree	1
17	105037701	Follower, FNR Detent	1
18	105038501	Spring, Wave, Gas FNR Shifter	1
19	105039801	E-Clip, External, 8mm Groove	2
20	105040401	Pin, Round, 0.125 Dia x 0.625	1
21	105041101	Weldment, Shaft, Fnr	1
22	105074101	Cam, Neutral Lockout	1
23	8057	Nut, #4-40 Hex Machine	4
24	8058	Lockwasher, #4 Split	2
25	8717	Locknut, Nylon Insert, 1/4-28	1

12

G

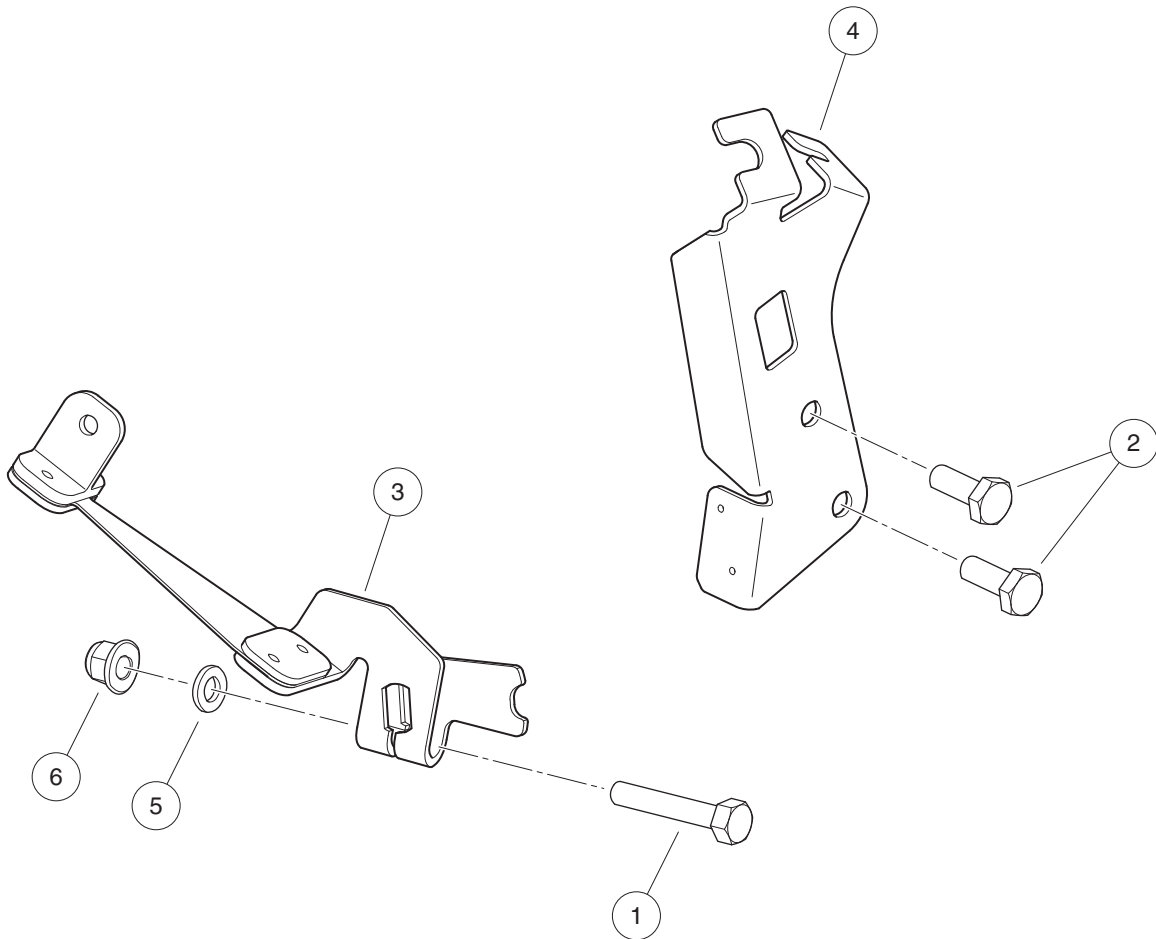


000988-001

SHIFTER CABLE

ITEM	PART NO.	DESCRIPTION	QTY
1	103886601	1 2 3 4 Clip, Bowtie	1
2	105038801	Cable, Shifter	1
3	8990	Tie Wrap, 8" Nylon	A/R

12
G

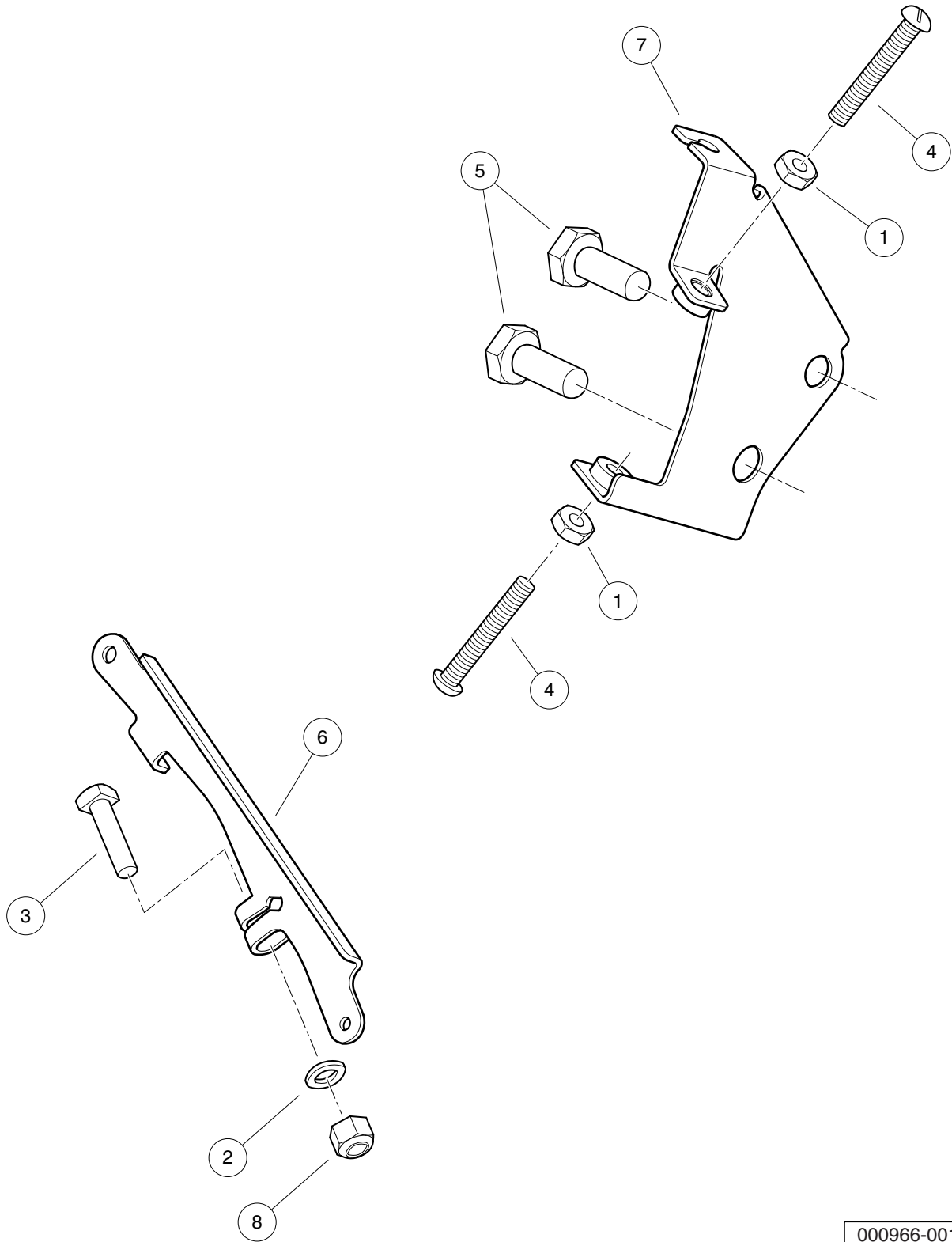


000965-003

SHIFT LEVER AND BRACKET – PEDAL-START ENGINES

ITEM	PART NO.	DESCRIPTION	QTY
		1 2 3 4	
1	101862001	Screw, 1/4-20 X 1.500 Flange	1
2	102498201	Bolt, M10 X 1.25 X 25, Loctite	2
3	105040901	Lever, Shift, Flex, Transaxle, Pedal-Start	1
4	105135101	Bracket, Cable, FNR/Accelerator, ED65	1
5	332	Washer, 1/4 Type A Narrow Flat	1
6	8233	Locknut, 1/4-20, Nylon Insert	1

12
G



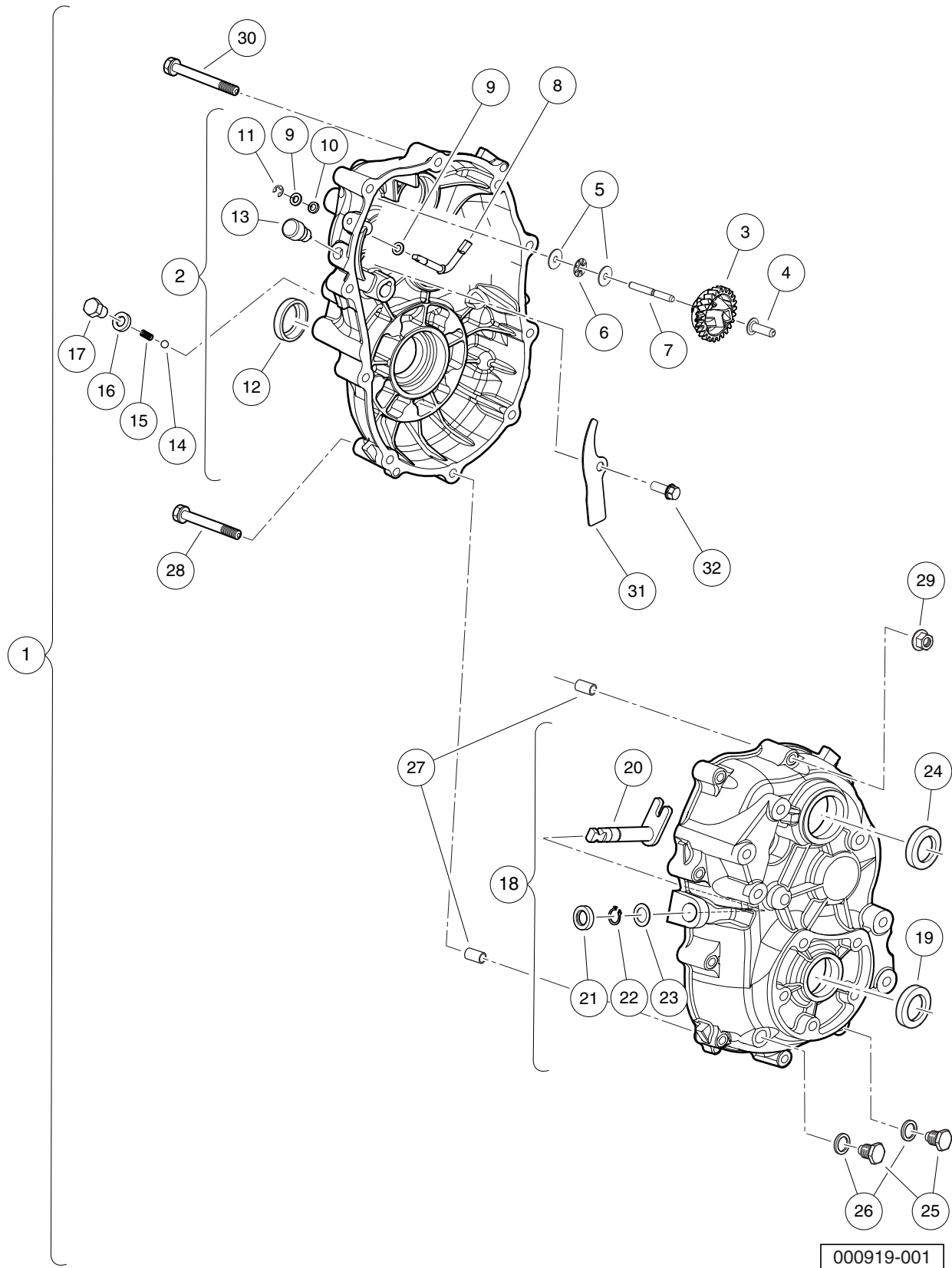
000966-001

GOVERNOR ARM AND BRACKETS

ITEM	PART NO.	DESCRIPTION	QTY
		1 2 3 4	
1	1011114	Nut, M6-1.00 Hex	2
2	1014007	Washer, 1/4, Flat	1
3	101886101	Screw, 1/4-20 X 1.00, Square-Head	1
4	102476401	Bolt, Stop, Pedal	2
5	102498201	Bolt, M10 X 1.25 X 25, Loctite	2
6	104023501	Arm, Governor, ED65	1
7	105144401	Weldment, Governor Bracket	1
8	8233	Locknut, 1/4-20, Nylon Insert	1

12

G

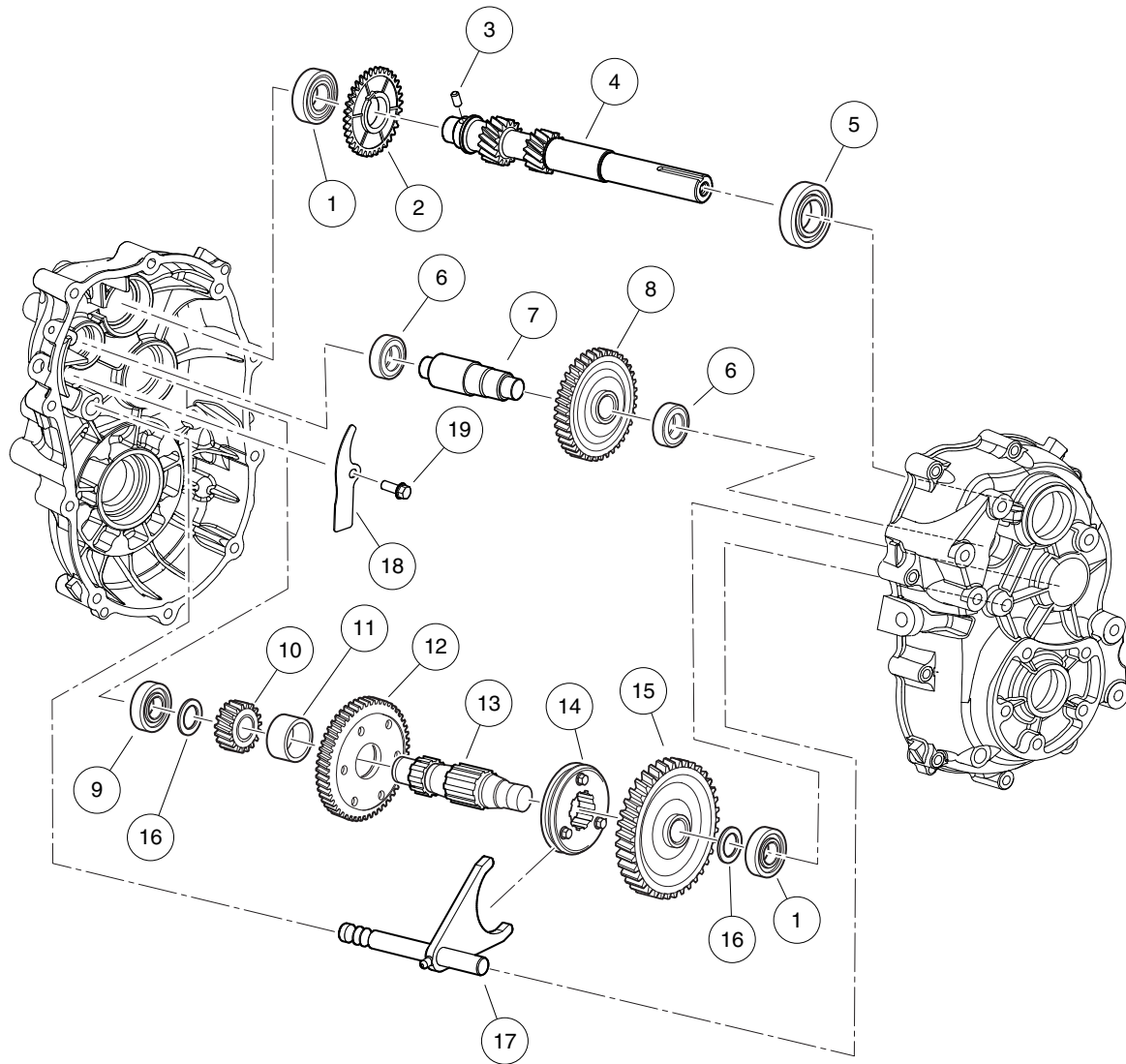


TRANSAXLE (ED65), OPEN – PAGE 1 OF 3

ITEM	PART NO.	DESCRIPTION	QTY
		1 2 3 4	
1	103879701	Transaxle, ED65, Open Differential (includes items 2 through 32)	1
2	105025001	Case, Transaxle, Left, Complete, ED65 (includes items 3 through 13)	1
3	105025101	Gear, Governor, Complete, ED65	1
4	105025201	Sleeve, Governor, ED65	1
5	105025301	Washer, ED65	2
6	105025401	Bearing, Thrust, ED65	1
7	105025501	Shaft, Governor Gear, ED65	1
8	105025601	Shaft, Governor, ED65	1
9	105025701	Washer, 6mm, ED65	2
10	105025801	Seal, Oil, 6x10x2.5, ED65	1
11	105025901	Retaining Ring, E5, ED65	1
12	105026001	Seal, Oil, 24x40x9, ED65	1
13	105027101	Vent, Breather, ED65	1
14	105026101	Ball, Steel, ED65	1
15	105026201	Spring, ED65	1
16	105026301	Gasket, 10, ED65	1
17	105026401	Bolt, M10-1.25x12mm Lg, ED65	1
18	105026501	Case, Transaxle, Right, Complete, ED65 (includes items 19 through 24)	1
19	105026001	Seal, Oil, 24x40x9, ED65	1
20	105026601	Shaft, Select, ED65	1
21	105026701	Seal, Oil, 13x22x5, ED65	1
22	105026801	Snap Ring, 13mm, ED65	1
23	105026901	Spacer, 13x1, ED65	1
24	105027001	Seal, Oil, 25x45x7, ED65	1
25	105027201	Plug, Oil Drain, ED65	2
26	105027301	Gasket, 14, ED65	2
27	105028301	Pin, Guide, ED65	2
28	105028501	Bolt, Flange, M8-1.25x65mm, ED65	1
29	105030001	Nut, Flange, M8-1.25, ED65	10
30	105030701	Bolt, Flanged, M8-1.25x80mm, ED65	9
31	105234801	Plate, Ed65 Splash	1
32	105234901	Bolt, M6-1 X 12mm Lg, Ed65	1
<p>Note: Fuji transaxle component listings span three pages. To identify your transaxle, locate the serial number decal on the axle tube.</p>			

12

G



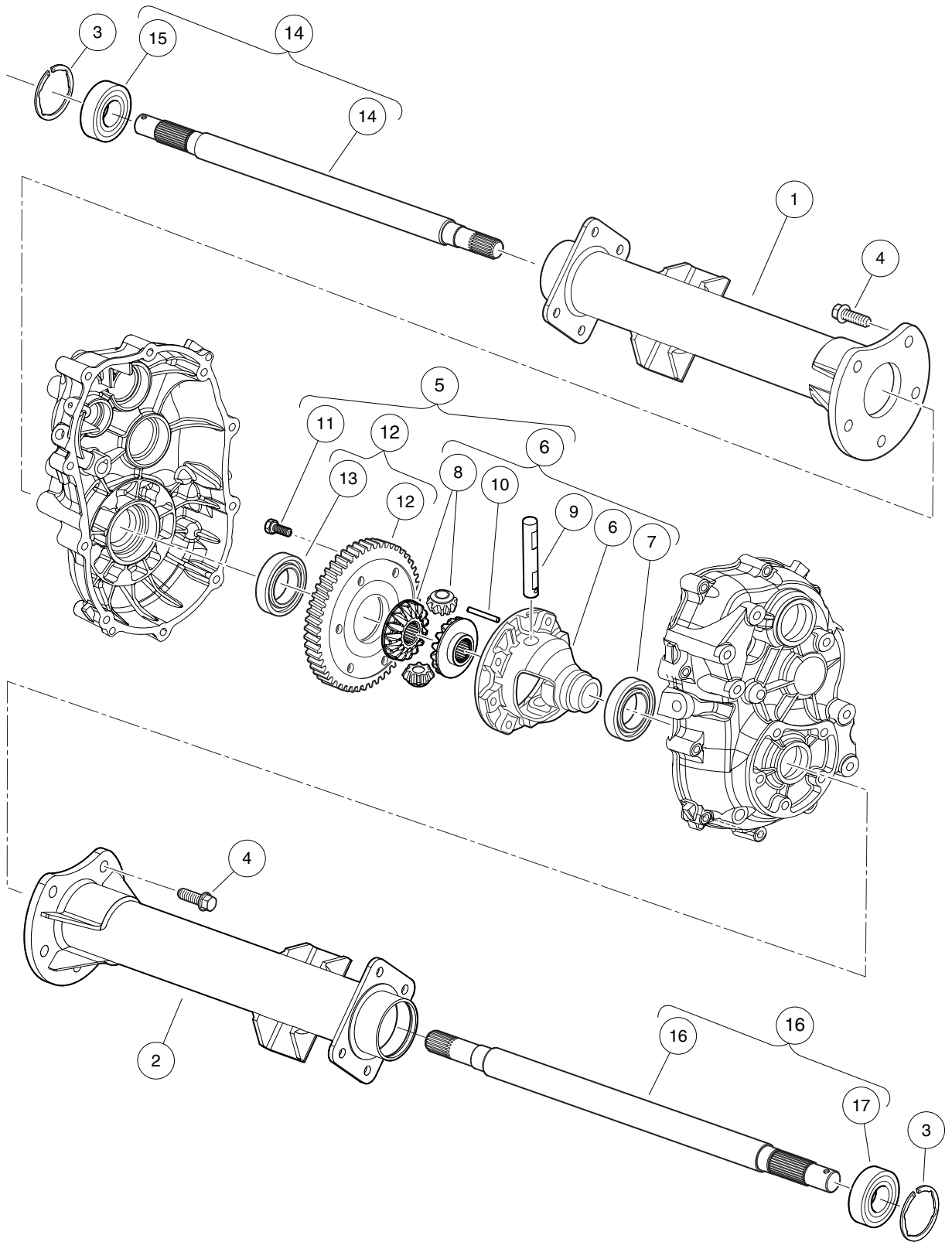
000919-007

TRANSAXLE (ED65), LIMITED SLIP AND OPEN – PAGE 2 OF 3

ITEM	PART NO.	DESCRIPTION	QTY
		1 2 3 4	
1	105027401	Bearing, Ball (6204)	2
2	105027501	Gear, Governor, 34 Tooth, ED65	1
3	105027601	Pin, 6x12 Long, ED65	1
4	105027701	Shaft, Input, ED65	1
5	105027801	Bearing, Ball (6205 seal)	1
6	105027901	Bearing, Ball (6202)	2
7	105028001	Shaft, Counter, ED65	1
8	105028201	Gear, 34 Tooth, ED65	1
9	105028401	Bearing, Ball (6304)	1
10	105028601	Gear, 17 Tooth, ED65	1
11	105028701	Collar, 24 x 12, ED65	1
12	105028801	Gear, 52 Tooth, ED65	1
13	105028901	Shaft, Center, ED65	1
14	105029001	Clutch, Pin, ED65	1
15	105029101	Gear, 62 Tooth, ED65	1
16	105029201	Spacer, 20x2, ED65	2
17	105030901	Shaft, Shift, ED65	1
18	105234801	Plate, Ed65 Splash	1
19	105234901	Bolt, M6-1 X 12mm Lg, Ed65	1
		<p>Note: To identify your transaxle, locate the serial number decal on the axle tube.</p>	

12

G



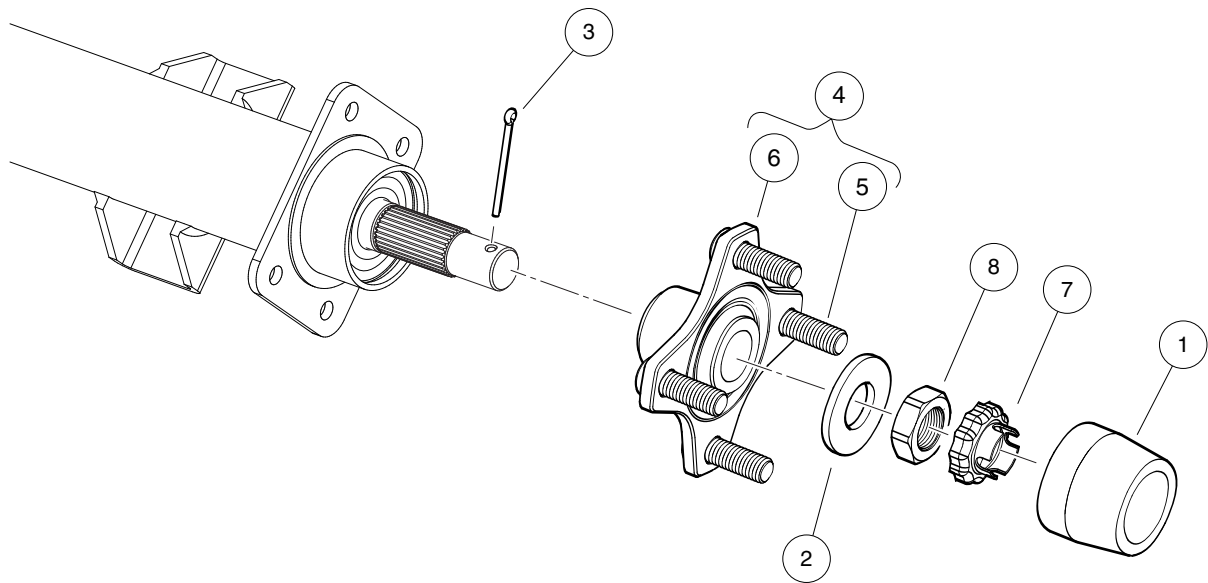
000919-004

TRANSAXLE (ED65), OPEN – PAGE 3 OF 3

ITEM	PART NO.	DESCRIPTION	QTY
		1 2 3 4	
1	105030401	Axle Tube, Driver-Side, ED65	1
2	105030501	Axle Tube, Passenger-Side, ED65	1
3	105030601	Snap Ring, 52mm, ED65	2
4	105030801	Bolt, Flange, M10-1.25x25, ED65	10
5	105031001	Differential, Open, ED65 (includes items 6 through 12)	1
6	105029301	Case, Differential, Complete, ED65 (includes items 7 through 10)	1
7	105028101	Bearing, Ball (6006)	1
8	105029401	Gear Set, Differential, ED65	1
9	105029601	Shaft, Differential, ED65	1
10	105029701	Pin, 4x40 Long, ED65	1
11	105029501	Bolt, M10-1.25x26mm Lg, ED65	6
12	105029901	Gear, 60 Tooth, Complete, ED65 (includes item 13)	1
13	105029801	Bearing, Ball (6007)	1
14	105066001	Axle Shaft, Driver-Side, Complete, ED65 (includes item 15)	1
15	105030301	Bearing, Ball (6205DD)	1
16	105066101	Axle Shaft, Passenger-Side, Complete, ED65 (includes item 17)	1
17	105030301	Bearing, Ball (6205DD)	1
Note: To identify your transaxle, locate the serial number decal on the axle tube.			

12

G



000919-006

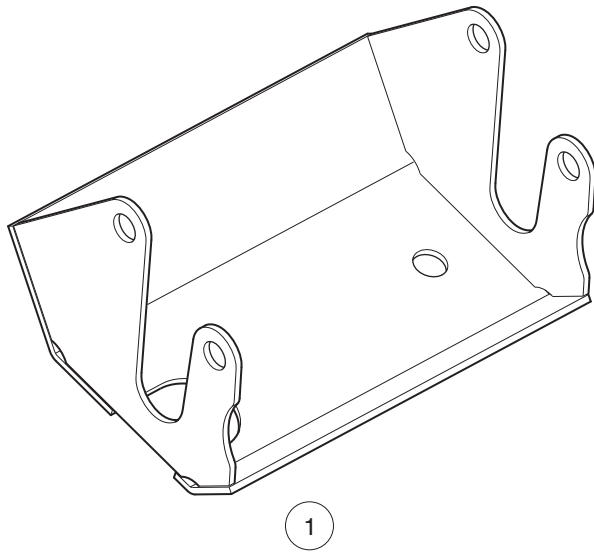
HUB, REAR

ITEM	PART NO.	DESCRIPTION	QTY
		1 2 3 4	
1	102274101	Center Cap, Rubber	2
2	102617801	Washer, Hard, M22	2
3	103989501	Pin, Cotter, 9/64 X 1.75"	2
4	103995001	Asm, Hub, Machined (includes items 5 and 6)	2
5	103951501	Lug Stud, 1/2-20 UNF, SAE J1102	4
6	103979301	Hub, Machined	1
7	104021701	Retaining Ring, Hex Nut, M22	2
8	104027101	Nut, Hex, M22x1.5, Thin	2

12
G

12

G



001436-001

DIFFERENTIAL GUARD, ED65 – GASOLINE VEHICLE

ITEM	PART NO.	DESCRIPTION	QTY
1	103989901	<div style="display: flex; justify-content: space-between; margin-bottom: 5px;"> 1 2 3 4 </div> Weldment, Diff Guard, Ed65	1

12

G

12

G

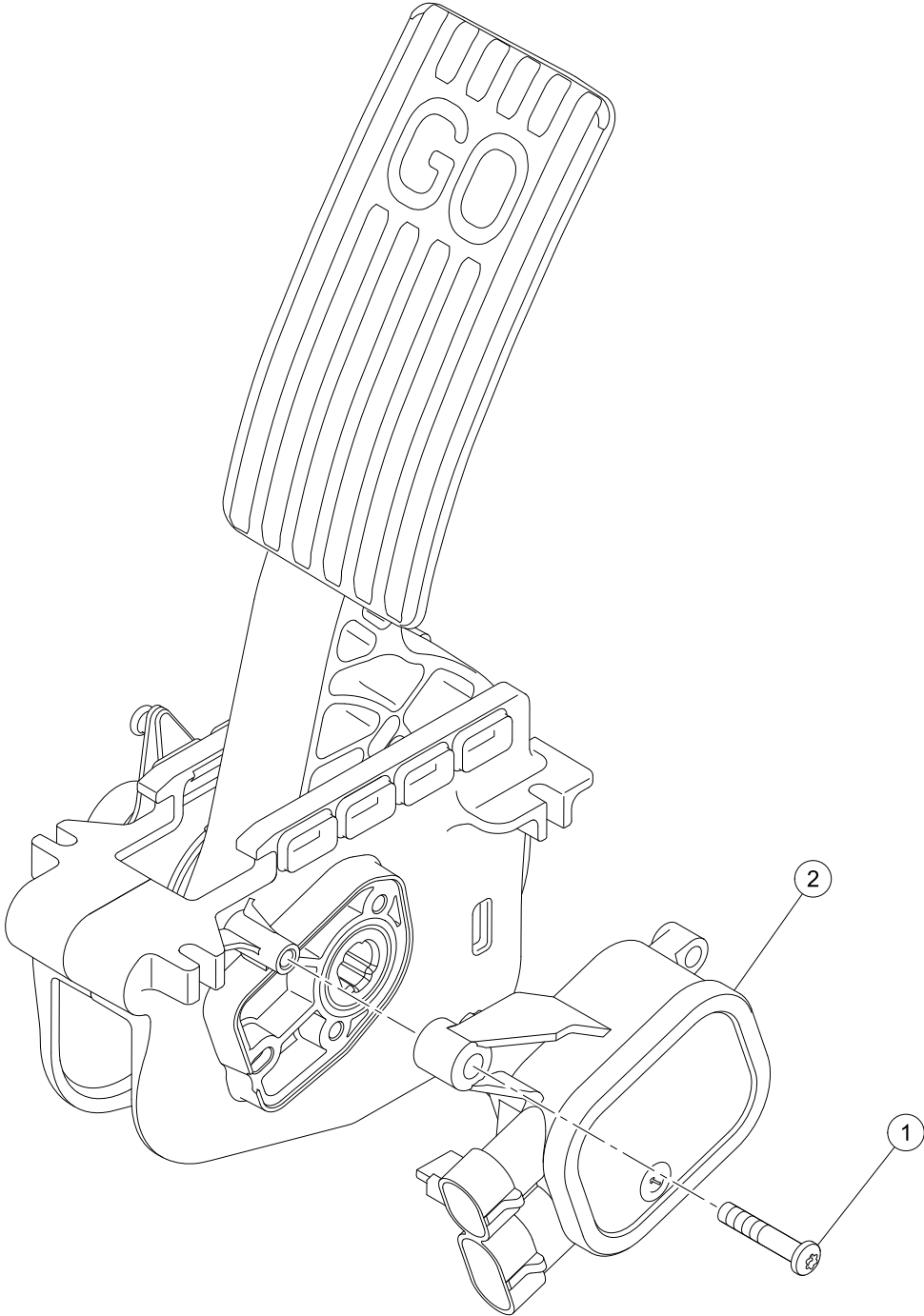
ELECTRICAL SYSTEM – EXCEL WITH HIGH FREQUENCY CHARGERS

13

E

13

E



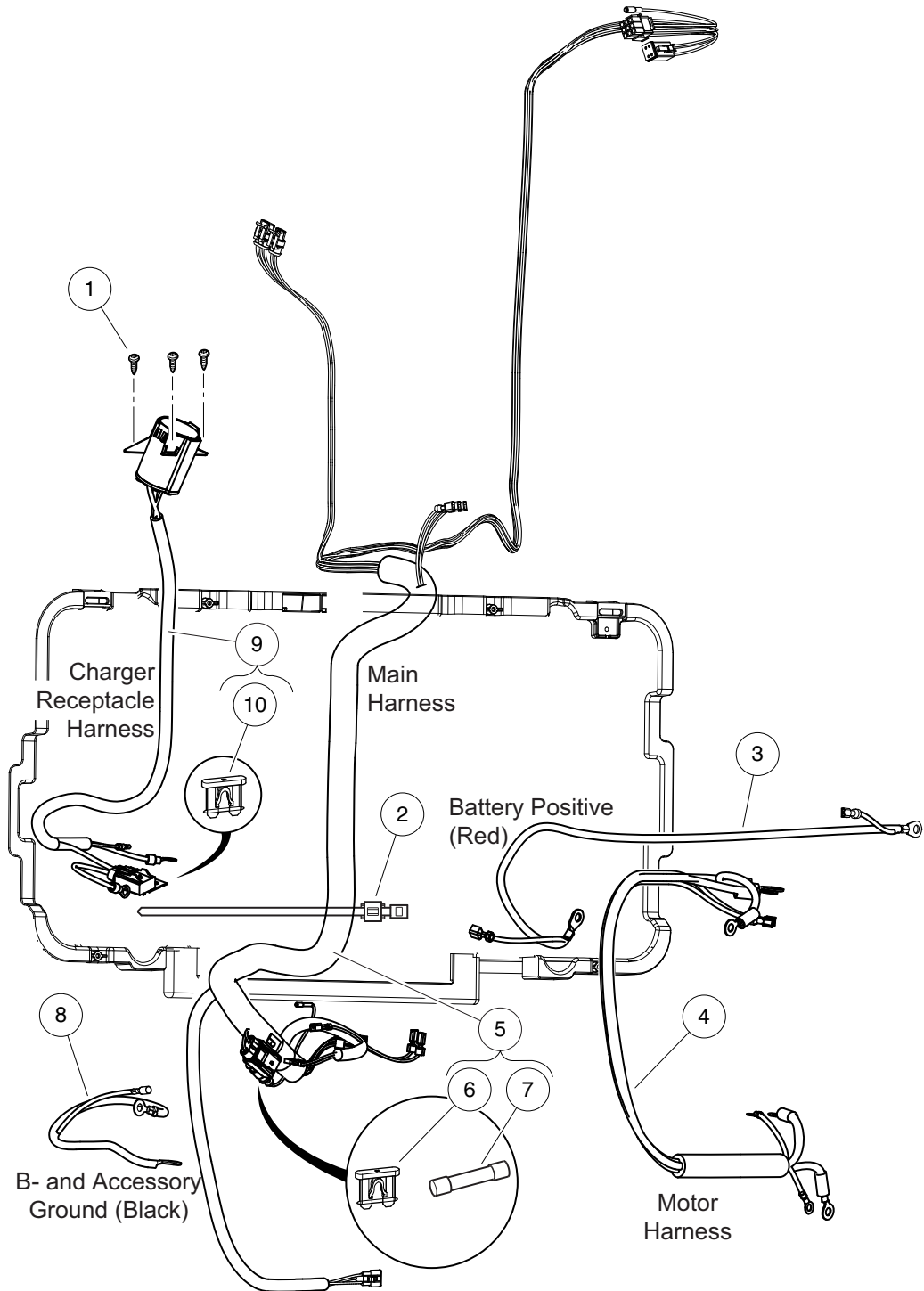
G-131199-000003

MOTOR CONTROLLER OUTPUT REGULATOR (MCOR)

ITEM	PART NO.	DESCRIPTION	QTY
1	103943401	1 2 3 4 Screw, Pan, #10 X 1.00 Hi-lo	1
2	105116301	MCOR4, Type 16 Switch	1

13

E



000647-002

WIRING AND FUSES

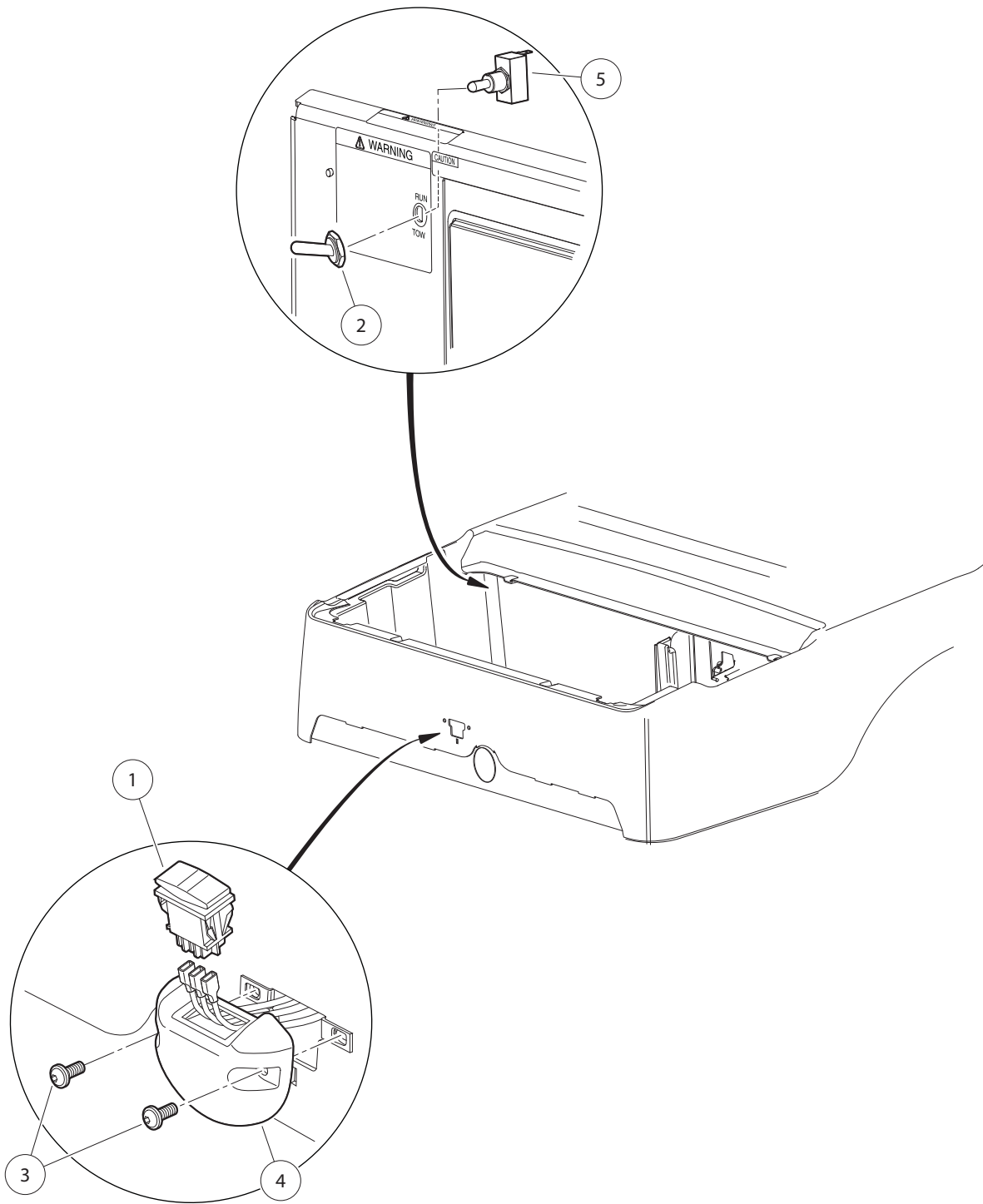
ITEM	PART NO.	DESCRIPTION	QTY
		1 2 3 4	
1	101832001	Screw, #7-19 X 0.625 Phillips Pan-Head Tap	3
2	102554901	Clip, Edge, with Wire Tie	1
3	103375402	Asm, Wire, Battery Positive, B+, Short, 6 Awg	1
4	103375702	Asm, Harness, Motor 1/4	1
5	104023201	Harness, Main, Excel w/Hi-Freq, Mcor3 (includes items 6 and 7)	1
6	102538601	15 Amp Fuse	1
7	103924801	Fuse, Glass, 2-Amp	1
8	104024001	Asm, Wire, Battery Negative, B-, w/ Accy Ground, 6 Awg	1
9	105137401	Harness, Wire, Charger Receptacle (for Yellow DC Cord) (includes item 10)	1
10	102492301	Fuse, 30-Amp	1
11	8639	Tie Wrap, 11" Nylon	A/R
12	8990	Tie Wrap, 8" Nylon	A/R
Note: Items 11 and 12 not shown.			

13

E

13

E



000462-004

FORWARD/REVERSE SWITCH AND TOW/RUN SWITCH

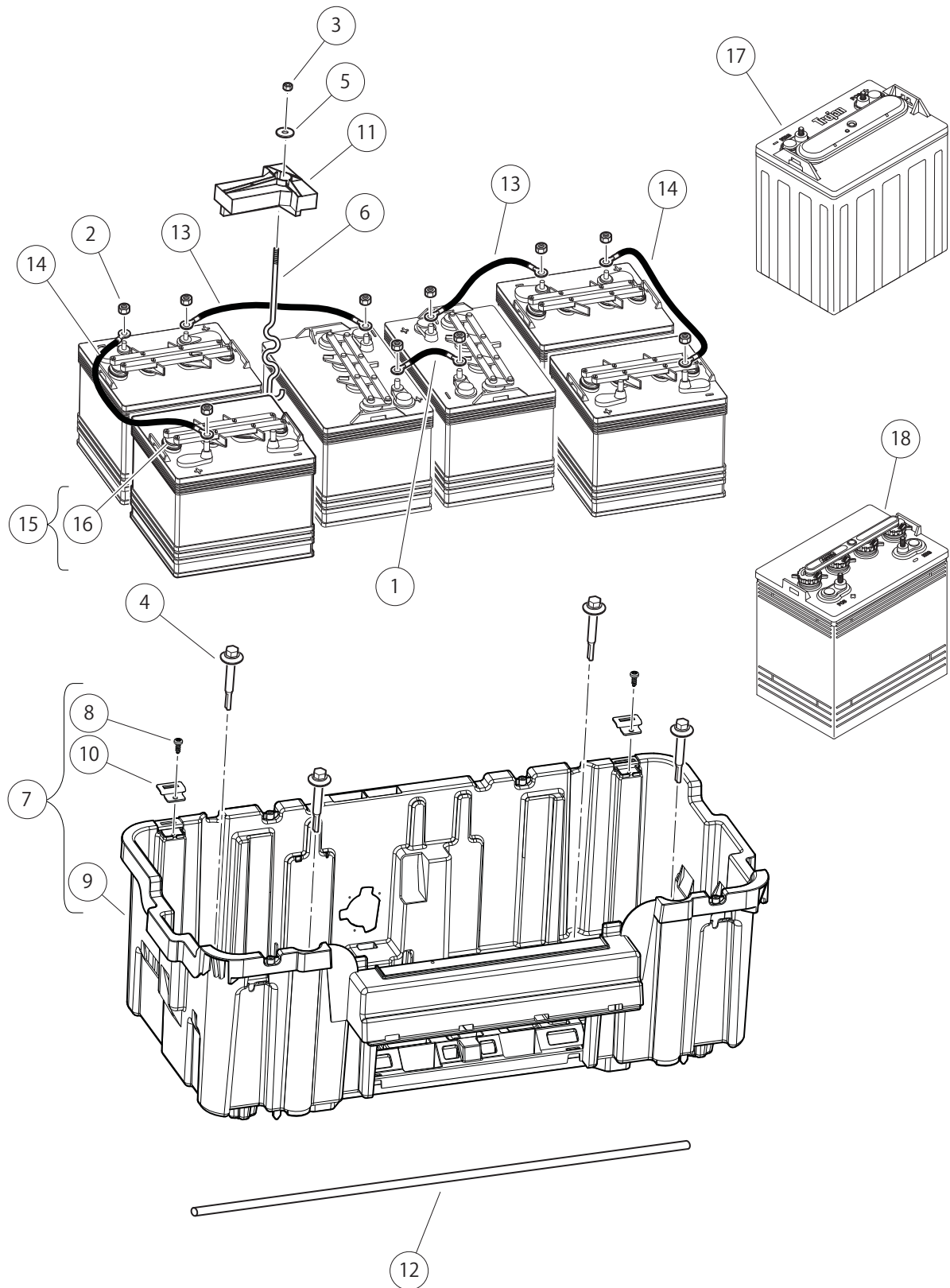
ITEM	PART NO.	DESCRIPTION	QTY
		1 2 3 4	
1	101856001	Switch, Rocker, Double-Pole	1
2	101908401	Boot, Switch	1
3	102296920	Screw, M6, Torx Button Head, Sems	2
4	102508401	Housing, FNR Electric	1
5	102511101	Switch, Tow/Run	1

13

E

13

E



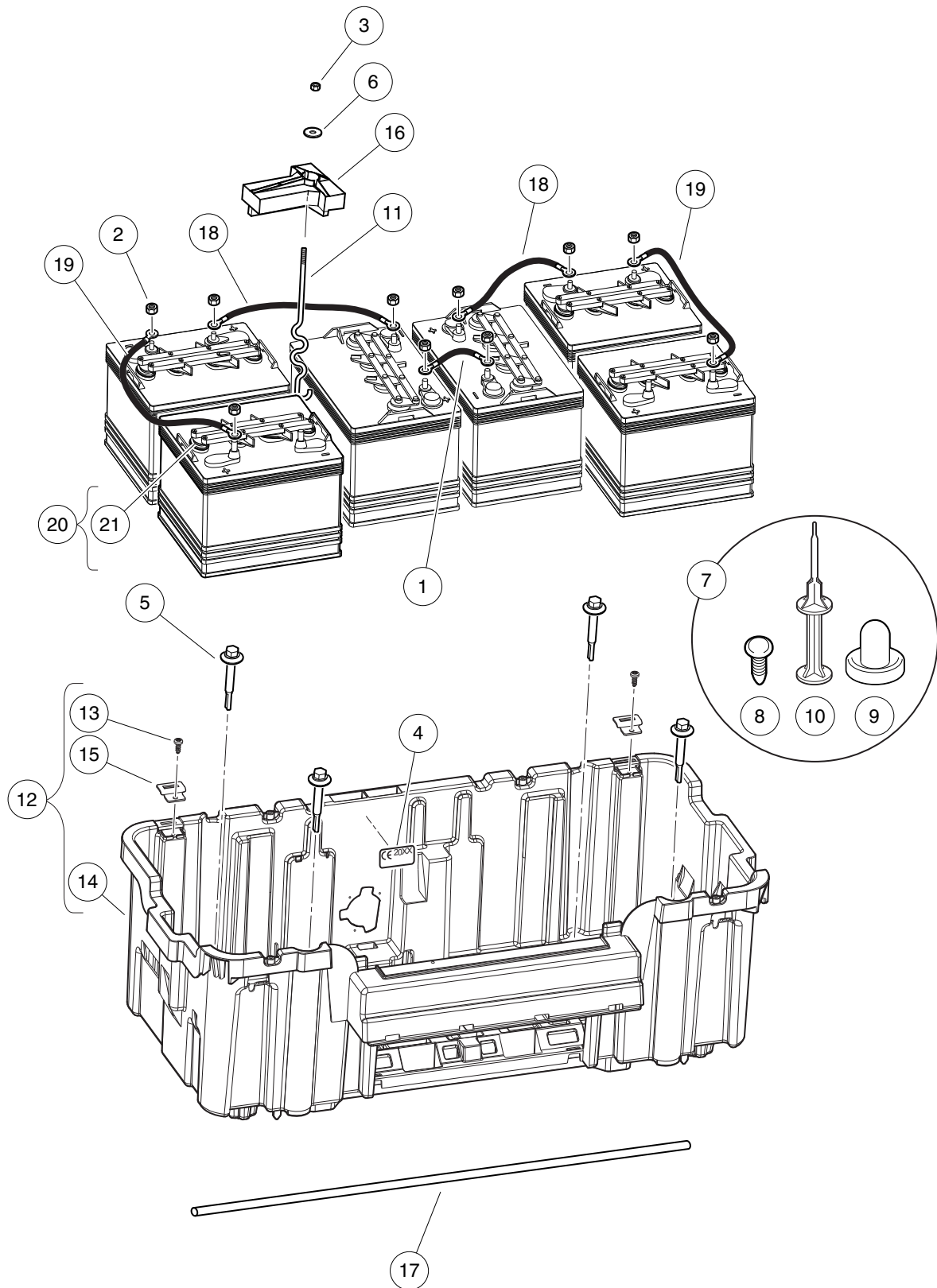
000682-006

BATTERIES AND BATTERY BUCKET, PD+ 8-VOLT

ITEM	PART NO.	DESCRIPTION	QTY
		1 2 3 4	
1	1010958	Asm, Wire, #6blk 8in	1
2	1014304	Nut, 5/16-18 Stainless-Steel Hex	12
3	1014555	Locknut, 7/16-14 Nylon Hex	2
4	102292356	Screw-1/4-20x56 Hwh Self Drill	4
5	102491501	Washer, Hard, M10	2
6	103357701	Bolt, Battery, "s" Hold-down	2
7	103368401	Asm, Bucket, Batt, Elec (includes items 8 through 10)	1
8	102298020	Screw, K80x20, Torx Pn Hd Pt	2
9	103350801	Bucket, Batt, Elec	1
10	103368301	Hinge - Nested	2
11	103374801	Hold Down, Battery	2
12	103375301	Tube, Cross, Battery Rod	1
13	103647402	Wire Asm #6 Blk, 12"	2
14	103647403	Wire Asm #6 Blk, 17"	2
15	105167701	Battery Type = 1, JCI, Wet (includes item 16)	6
16	103765601	Cap, Spin, 8-Volt Battery	1
17	105167706	Battery Type = 6, Trojan, T875, SPWS	6
18	105167707	Battery Type = 7, JCI, SPWS	6
		Note: Items 17 and 18 are for use with Single Point Watering System (SPWS)	

13

E



000682-002

BATTERIES AND BATTERY BUCKET, PD+ 8-VOLT, CE

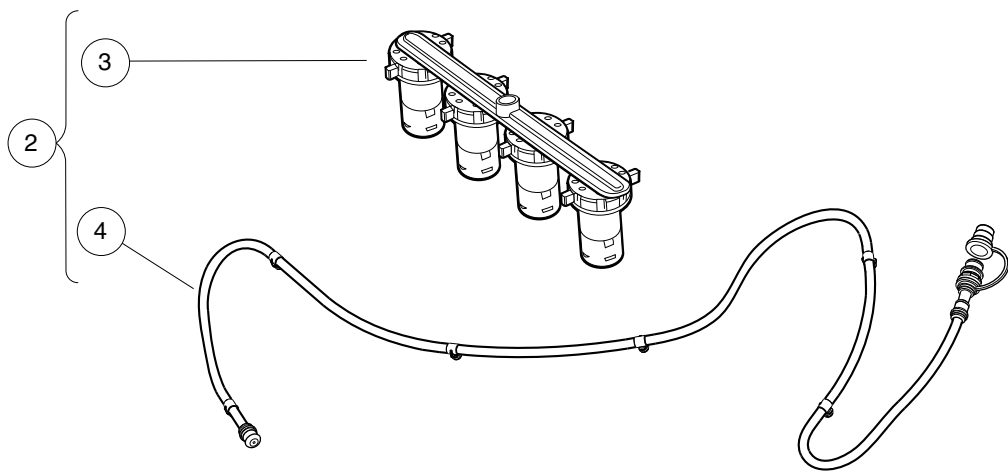
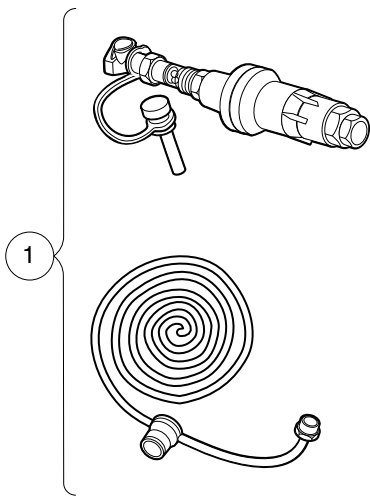
ITEM	PART NO.	DESCRIPTION	QTY
		1 2 3 4	
1	1010958	Asm, Wire, #6blk 8in	1
2	1014304	Nut, 5/16-18 Stainless-Steel Hex	12
3	1014555	Locknut, 7/16-14 Nylon Hex	2
4	101865805	Ce - Decal	1
5	102292356	Screw-1/4-20x56 Hwh Self Drill	4
6	102491501	Washer, Hard, M10	2
7	102571202	Kit Ce Plug - Bucket Elec (includes items 8 through 10)	1
8	1010434	Barrel - Plastic	2
9	N/A	Plug, 1/2", CE Bucket	6
10	N/A	Install Tool, CE Bucket Plug	1
11	103357701	Bolt, Battery, "s" Hold-down	2
12	103368401	Asm, Bucket, Batt, Elec (includes items 13 through 15)	1
13	102298020	Screw, K80x20, Torx Pn Hd Pt	2
14	103350801	Bucket, Batt, Elec	1
15	103368301	Hinge - Nested	2
16	103374801	Hold Down, Battery	2
17	103375301	Tube, Cross, Battery Rod	1
18	103647402	Wire Asm #6 Blk, 12"	2
19	103647403	Wire Asm #6 Blk, 17"	2
20	105138301	Battery, 8-Volt, JCI GC8 Type E (includes item 21)	6
21	103765601	Cap, Spin, 8-Volt Battery	1
		Note: The CE-specific parts shown are required for vehicles sold in the European Union.	

13

E

13

E



000731-009

SINGLE POINT WATERING SYSTEM, 8V

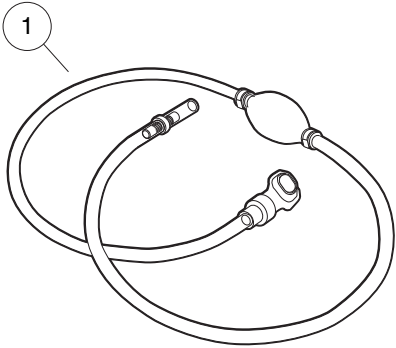
ITEM	PART NO.	DESCRIPTION	QTY
		1 2 3 4	
1	102958001	Kit Regulated Hose Sply Spws	1
2	103395505	Kit, Spws, 8 Volt Non-Trojan (includes items 3 and 4)	1
3	103510602	Spws, Manifold Asm, 8v Non-Trojan	6
4	103774701	Spws, Hose 8v Non-trojan	1
		Note: For JCI 8-Volt batteries only.	

13

E

13

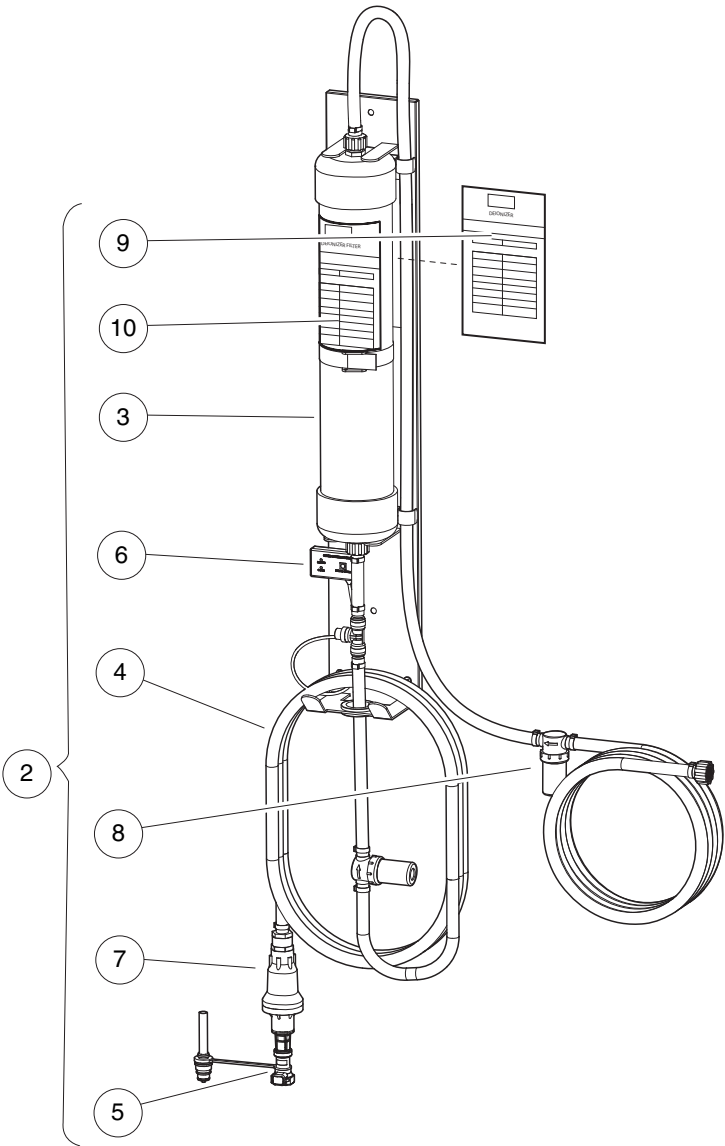
E



11



12



002523-003

HAND PUMP AND DEIONIZER (BATTERY-POWERED QUALITY LIGHT)

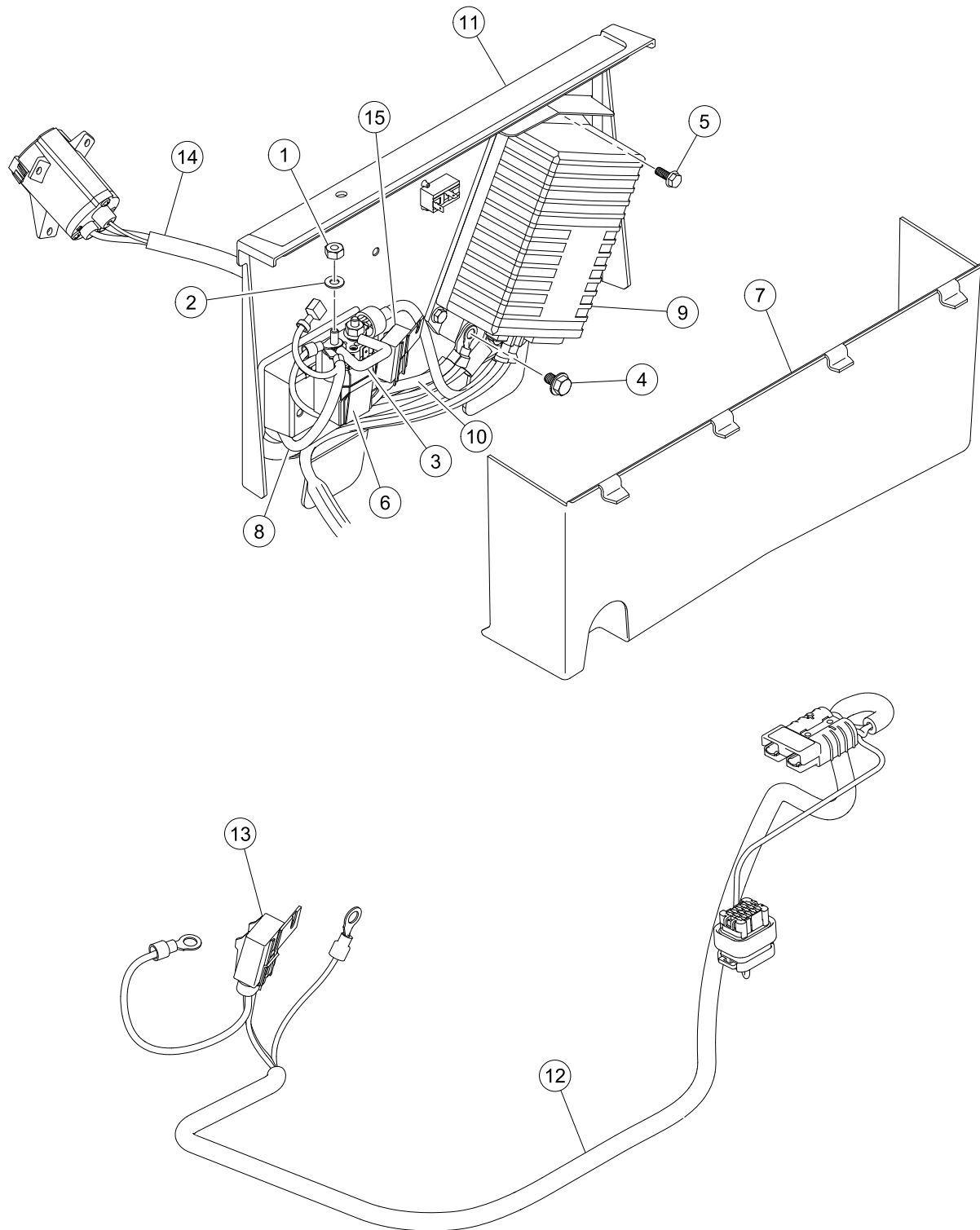
ITEM	PART NO.	DESCRIPTION	QTY
		1 2 3 4	
1	104006101	Kit, Hand Pump, Spws	1
2	105166801	Deionizer, w/Battery-Powered Water Quality Light (includes items 3 through 10)	1
3	104005901	Cartridge, Deionizer	1
4	105166901	Hose,outlet,deionizer	1
5	105167001	Flow Ind, W/coupler, Deionizer	1
6	105167101	Light, Quality, Battery-Powered, w/T-Fitting	1
7	105168501	Regulator, Pressure, Deionizer	1
8	105168601	Strainer, In-line, Deionizer	1
9	AM1300001	Decal, Filter Log, Blue	1
10	AM1300201	Decal, Inspect Log, Yellow	1
11	AM1300101	Decal, Filter Log, Blue, Pack of 100	A/R
12	AM1300301	Decal, Inspect Log, Yellow, Pack of 100	A/R

13

E

13

E



G-130499-000005

CONTROLLER, SOLENOID AND WIRING

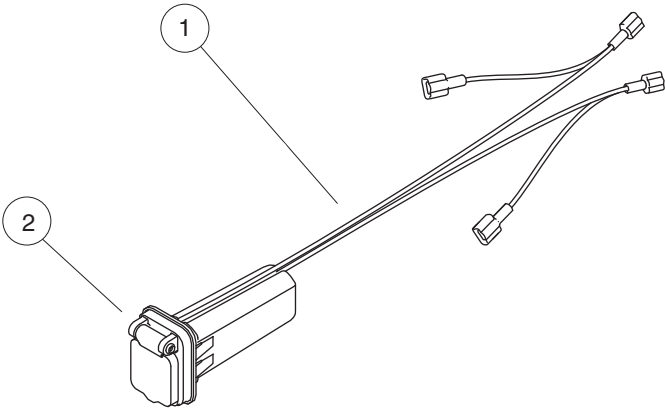
ITEM	PART NO.	DESCRIPTION	QTY
		1 2 3 4	
1	1012528	Nut, M8-1.25 Hex	2
2	1013734	Lockwasher, 8mm Split	2
3	1014947	Resistor Assembly	1
4	102240501	Bolt, Controller, Terminal	3
5	102296716	Screw, M6 X 16 Tt Hx Fl Hd	3
6	102865901	Solenoid 48v Slot Mt No Diode	1
7	103367901	Shield - Controller	1
8	103375402	Asm, Wire, Battery Positive, B+, Short, 6 Awg	1
9	103982301	Controller, 1515, 250A, White	1
10	104024001	Asm, Wire, Battery Negative, B-, w/ Accy Ground, 6 Awg	1
11	105005001	Component Mounting Plate	1
12	105084301	Harness, Wire, High-Freq Onboard Charger, 4-Pass (includes item 13)	1
13	102492301	Fuse, 30-Amp	1
14	105137401	Harness, Wire, Charger Receptacle (for Yellow DC Cord) (includes item 15)	1
15	102492301	Fuse, 30-Amp	1
		Note: Item 12 is only applicable to four passenger vehicles with on-board chargers. Replacement solenoid may vary in appearance from the original.	

13

E

13

E



001286-002

USB PORT KIT FOR ELECTRIC VEHICLES

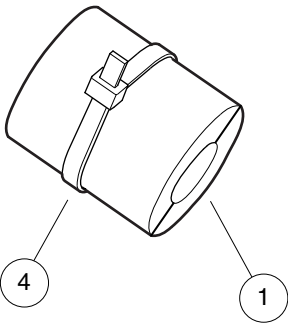
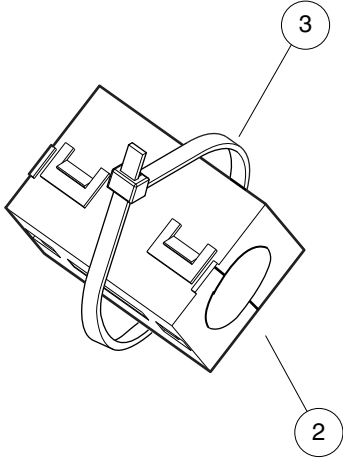
ITEM	PART NO.	DESCRIPTION	QTY
1	47604230001	1 2 3 4 Kit, USB, 48v (includes item 2)	1
2	47560030001	USB Port	1

13

E

13

E



001055-001

FERRITE BEADS, CE

ITEM	PART NO.	DESCRIPTION	QTY
		1 2 3 4	
1	103449501	Bead, Ferrite, Tdk	A/R
2	103449601	Bead, Ferrite, Fair-rite	A/R
3	8639	Tie Wrap, 11" Nylon	A/R
4	8990	Tie Wrap, 8" Nylon	A/R

13

E

13

E

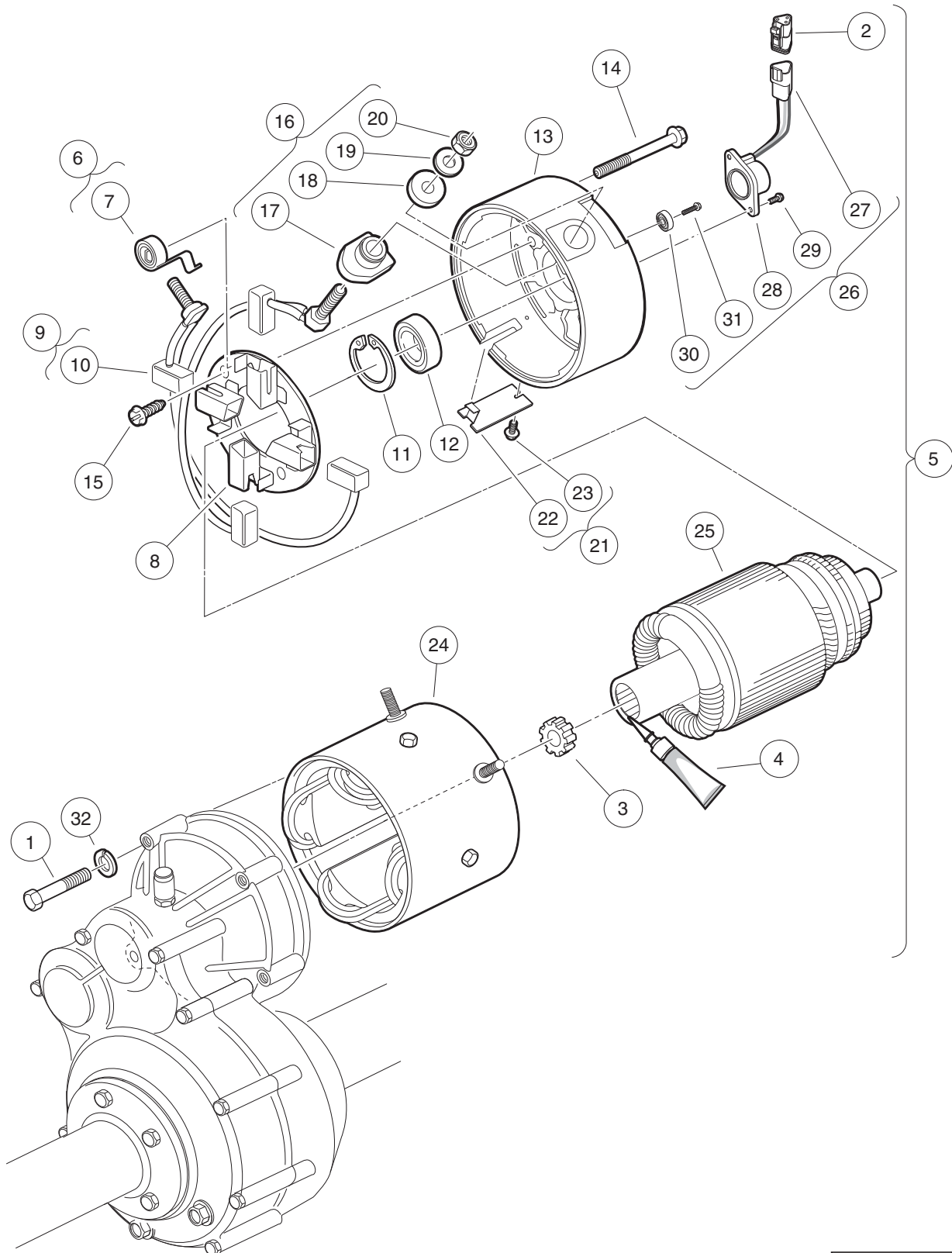
ELECTRIC MOTOR

14

E

14

E



000185-002

MOTOR (MODEL EJ8-4001A) – ELECTRIC VEHICLE

ITEM	PART NO.	DESCRIPTION	QTY
		1 2 3 4	
1	1014201	Screw, 1/4-20 X 2.25 Hex Cap	3
2	101920101	Kit, 3-Pin Wedge Lock	1
3	102235201	Bumper, Drive Unit	1
4	102243403	Lubricant, Moly-Teflon (Single-Use Tube)	1
5	103572501	IQ Electric Motor, 48-VDC 3.3 hp (includes items 6 through 26)	1
6	102186001	Spring Kit, Motor Brush (includes item 7)	1
7	N/A	Spring, Brush, S-g	4
8	102186101	Brush Box Assembly	1
9	102186201	Brush Kit, Motor (includes item 10)	1
10	N/A	Assembly, Brush and Terminal	2
11	N/A	Ring, 2.24" Internal Retaining	1
12	102186401	Bearing, Ball	1
13	102186701	End Cap, Motor	1
14	N/A	Screw, 1/4-20 X 2.25 Hex-Head Washer	2
15	102186901	Screw, #8-32 X .5 Hex-Head	2
16	102187101	Hardware Kit, Motor Terminal (includes items 17 through 20)	2
17	N/A	Bushing, Nylon	2
18	N/A	Washer, Nylon Flat	2
19	N/A	Washer, Flat, 5/16 Steel	2
20	N/A	Nut, Brass Hex, 5/16 - 18	2
21	102187201	Plate Kit, Motor Cover (includes items 22 and 23)	1
22	N/A	Assembly, Cover Plate	1
23	N/A	Screw, #8-32 x 0.375, Taptite Thread	1
24	102704701	Frame and Field Assembly	1
25	102704801	Armature Assembly	1
26	102704901	Kit, Speed Sensor (includes items 27 through 31)	1
27	101942301	Kit, 3-Pin Wedge Lock	1
28	N/A	Sensor, Motor Speed, ADC	1
29	N/A	Screw, #8-32, Taptite Thread	2
30	N/A	Magnet, ADC Motor	1
31	N/A	Screw, 1/4-20 x 0.5	1
32	451	Lockwasher, 1/4 Split	3
Note: The F1 and F2 terminal posts on the EJ8-4001A motor have 1/4 - 20			

14

E

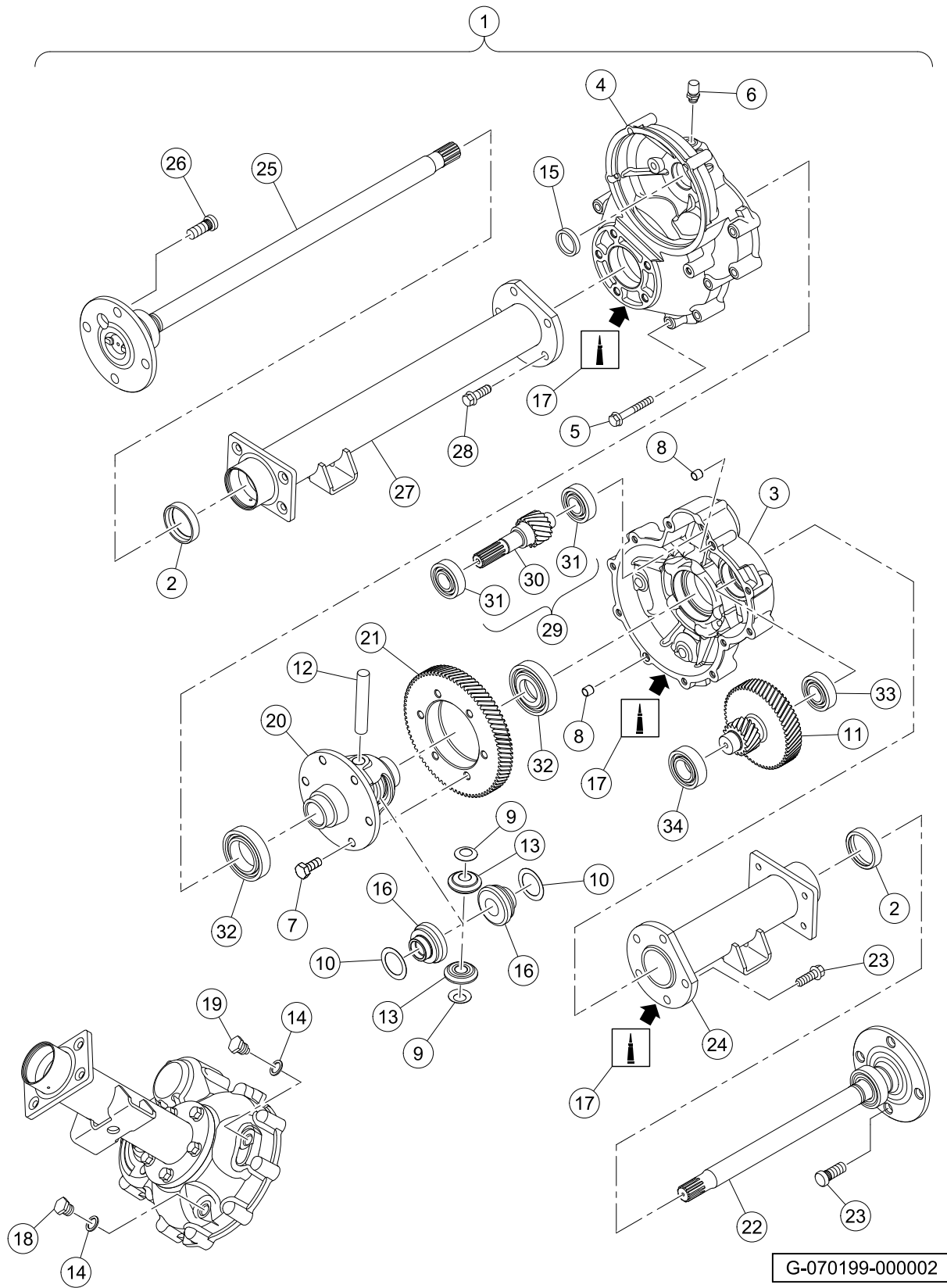
14

E

TRANSAXLE – ELECTRIC VEHICLES

15

E



G-070199-000002

TRANSAXLE – ELECTRIC VEHICLES

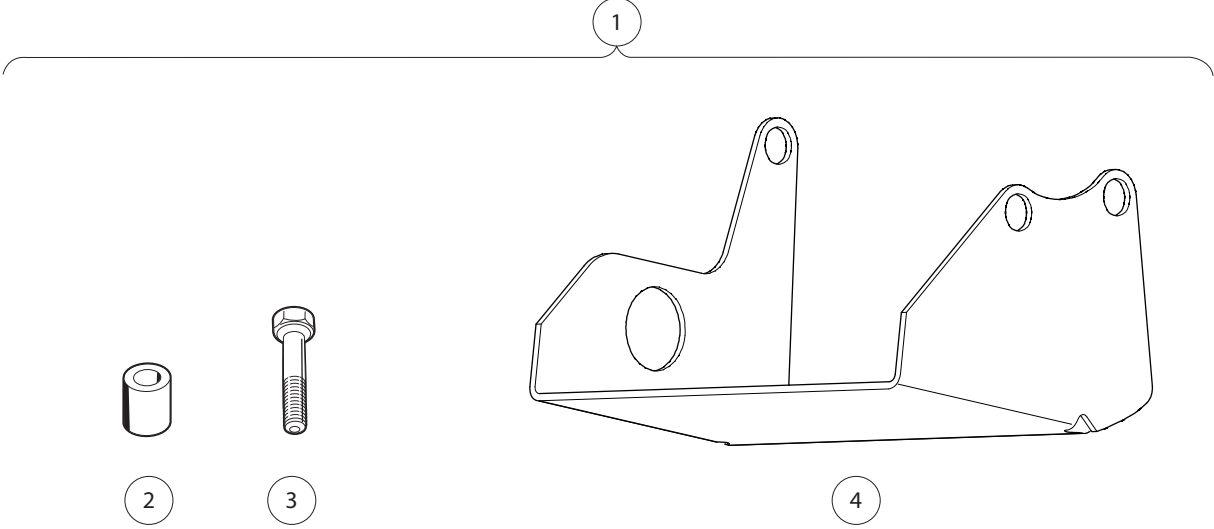
ITEM	PART NO.	DESCRIPTION	QTY
		1 2 3 4	
1	102771701	Transaxle, Electric (includes items 2 through 34)	1
2	1013794	Axle Shaft Oil Seal	2
3	101895401	Gear Case, Driver-Side	1
4	101895501	Gear Case, Passenger-Side	1
5	101897001	Screw, M8-1.25 X 60mm Hex-Head	11
6	101897201	Breather	1
7	101897401	Screw, M10-1.25 X 25mm	6
8	101897601	Pin, 11mm OD X 8.5mm ID X 10mm	2
9	101903601	Washer, Thrust	2
10	101903701	Washer, Thrust	2
11	101906901	Intermediate Shaft Assembly	1
12	101922101	Pin, 15.99mm X 88.7mm Dowel	1
13	101923001	Gear, Differential Idler	2
14	101923201	Gasket	2
15	101923501	Seal, Lip	1
16	101923901	Gear, Differential	2
17	101928701	Liquid Gasket (Transaxle case)	1
18	101972101	Plug, M14-1.5 X 12mm Magnetic	1
19	101972201	Plug, M14-1.5 X 12mm Hex	1
20	102356601	Housing, Differential, 6 Bolt	6
21	102356801	Gear, Differential Output, 6-Bolt	6
22	102886301	Axle Assembly, Driver-Side (includes item 23)	1
23	101922201	Lug Stud	4
24	102886401	Tube, Axle, Driver-Side	1
25	102886501	Axle Assembly, Passenger-Side (includes item 26)	1
26	101922201	Lug Stud	4
27	102886601	Tube, Axle, Passenger-Side	1
28	102902801	Screw, M10 X 30	10
29	103582801	Asm, E Trans Shaft/bearing (includes items 30 and 31)	1
30	N/A	Shaft, Input	1
31	7335	Bearing	2
32	7330	Inner Axle Tube Bearing	2
33	7335	Bearing	1
34	7336	Bearing	1
		Note: Item 34 beaing OD is 2.047 inches (52 mm). Item 33 bearing OD is 1.850 inches (47 mm).	

15

E

15

E



000365-002

DIFFERENTIAL GUARD – ELECTRIC VEHICLES

ITEM	PART NO.	DESCRIPTION	QTY
		1 2 3 4	
1	101611402	Kit, Differential Guard, Elec Vehicles (includes items 2 through 4)	1
2	101914001	Spacer, Steel	2
3	101936101	Screw, M10-1.50 X 60mm Hex Cap	2
4	101978601	Guard, Differential, Electric Vehicle Transaxle	1

15

E

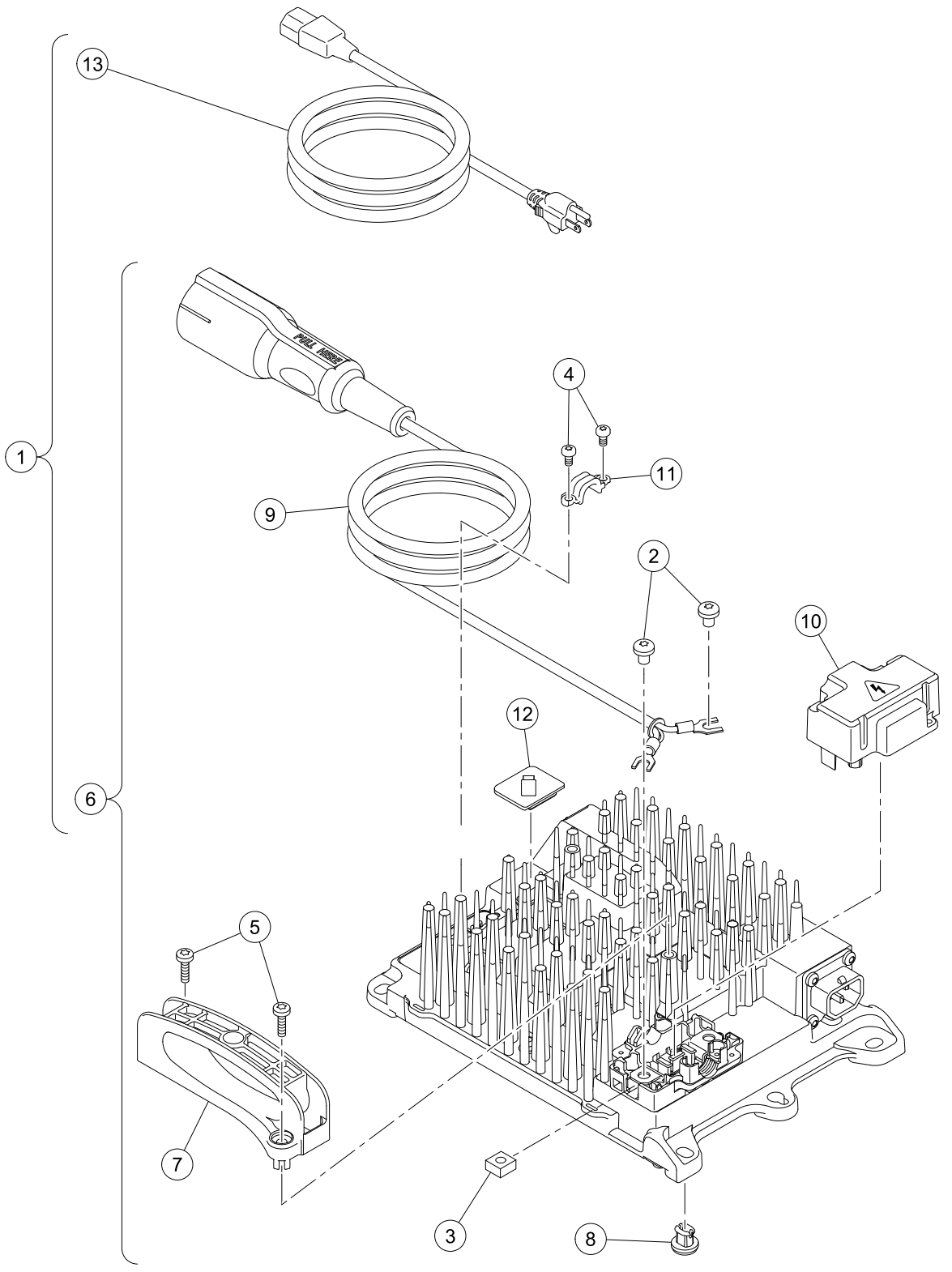
15

E

BATTERY CHARGERS – HIGH-FREQUENCY

16

E



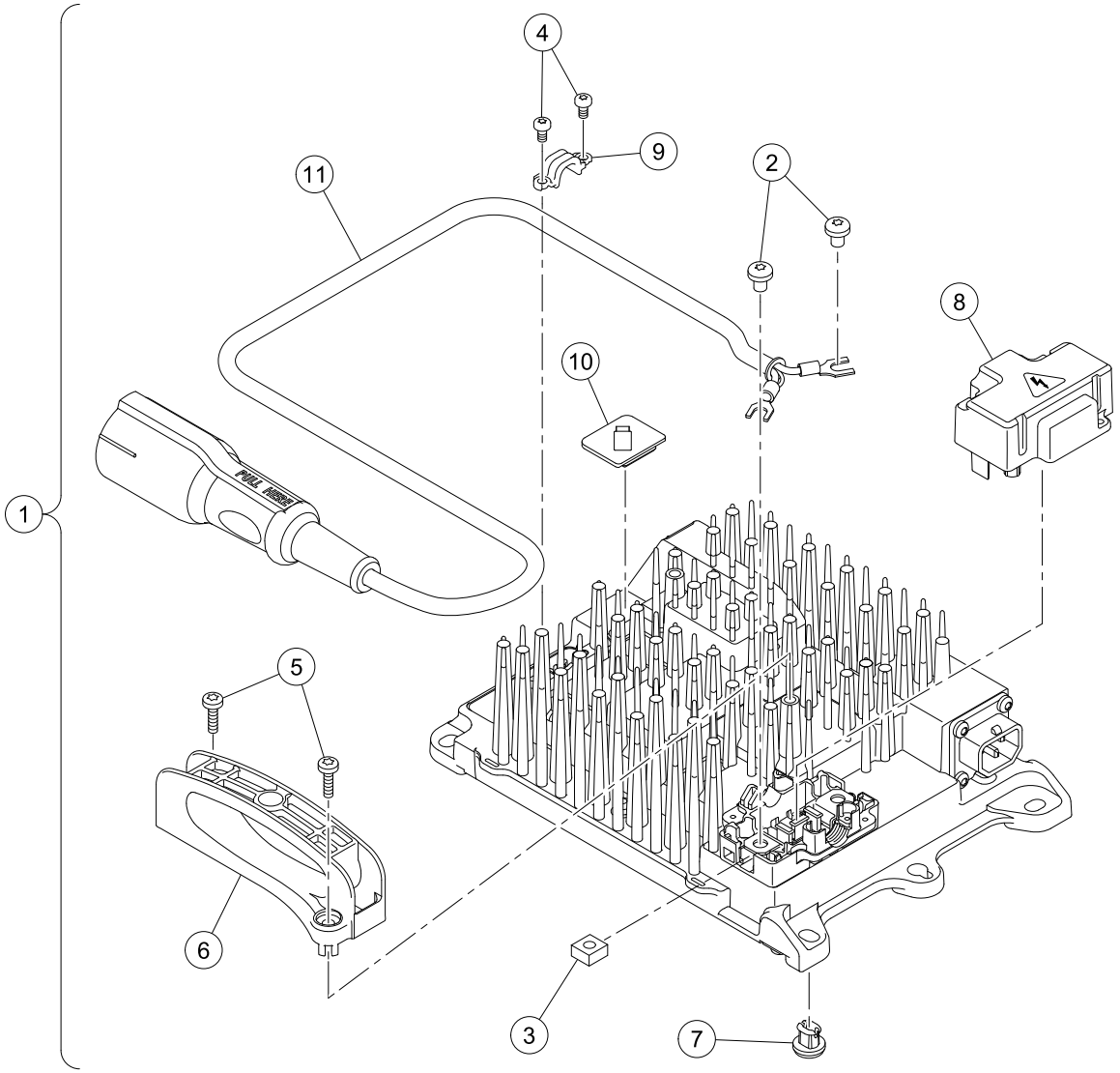
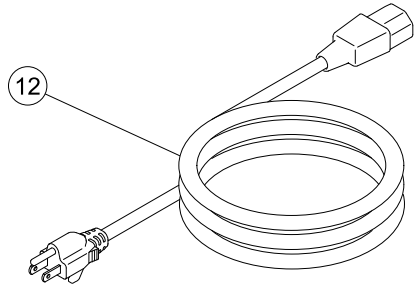
G-130899-000011

JCI BATTERY CHARGER, HIGH-FREQUENCY – U.S./CANADA

ITEM	PART NO.	DESCRIPTION	QTY
		1 2 3 4	
1	105095201	Charger, High-Freq, Service, 9ft Yel DC, 6ft AC, US/Canada (includes items 2 through 12)	1
2	104024501	Screw, M6, Torx Head	2
3	104024601	Nut, M6, Square, Captured	2
4	104028901	Screw, M4 X .70, Pan Hd, Torx	2
5	104029001	Screw, M5 X .80, Pan Hd, Torx	2
6	104029601	Charger, Asm, High-Freq, 9ft (2.74 m) Yellow DC Cord	1
7	105003601	Handle, Charger, High-Freq	1
8	105003701	Foot, Charger, High-Freq	4
9	105070101	Cord, DC, Yellow, 9ft (2.74 m)	1
10	105092301	Cover, DC Terminal Block, High-Freq Charger	1
11	105093101	Strain Relief, High-Freq, External, Charger	1
12	105123801	Cover, USB	1
13	47606837002	Cord, Ac, lec320, 6Us'	1
<p>Note: This charger includes both an AC cord and DC cord. For additional cord lengths that may be used with this charger, see the Battery Charger Cords page.</p>			

16

E



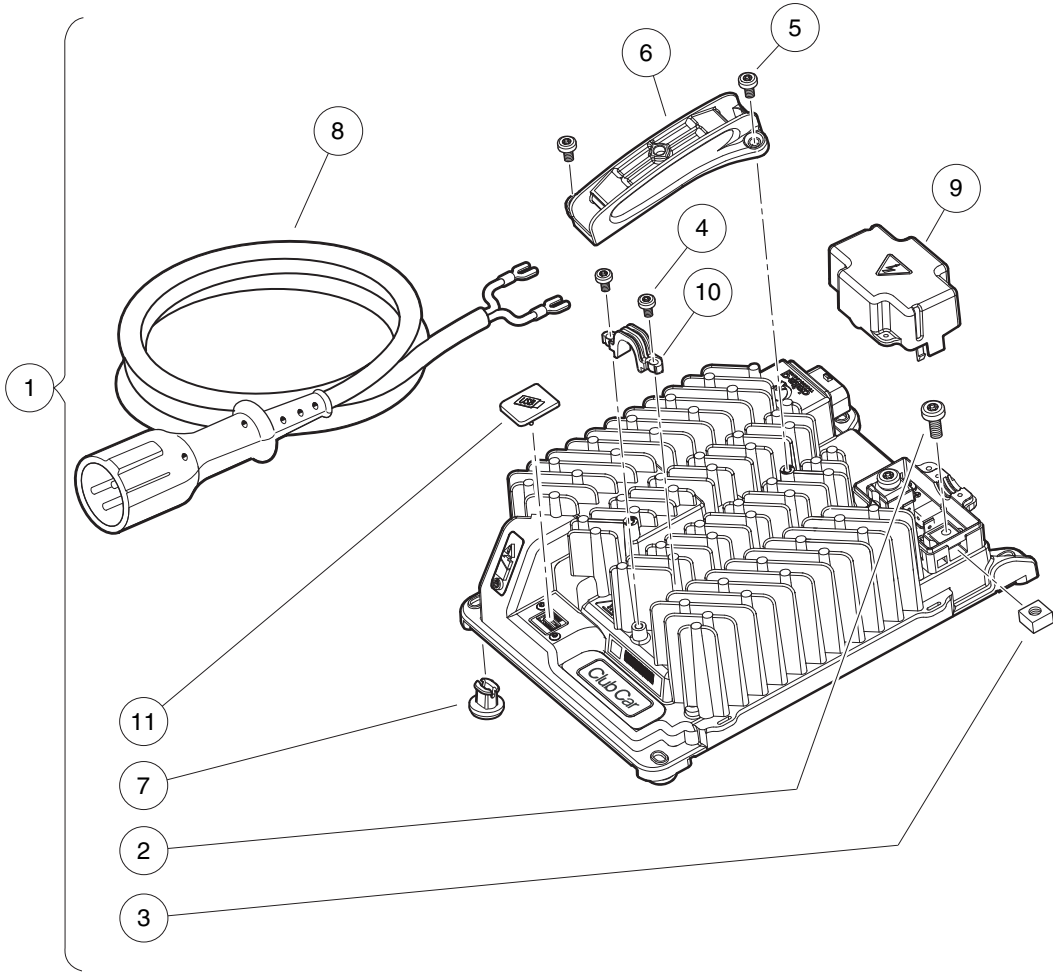
G-130899-000007

TROJAN BATTERY CHARGER, HIGH-FREQUENCY – U.S./CANADA

ITEM	PART NO.	DESCRIPTION	QTY
		1 2 3 4	
1	104029604	Charger, Asm, High-Freq, 9ft (2.74 m) DC Cord (includes items 2 through 11)	1
2	104024501	Screw, M6, Torx Head	2
3	104024601	Nut, M6, Square, Captured	2
4	104028901	Screw, M4 X .70, Pan Hd, Torx	2
5	104029001	Screw, M5 X .80, Pan Hd, Torx	2
6	105003601	Handle, Charger, High-Freq	1
7	105003701	Foot, Charger, High-Freq	4
8	105092301	Cover, DC Terminal Block, High-Freq Charger	1
9	105093101	Strain Relief, High-Freq, External, Charger	1
10	105123801	Cover, USB	1
11	47655301001	Harness, PWR, Charger, Blk, 9'	1
12	47606837002	Cord, Ac, Iec320, 6Us'	1
<p>Note: This charger includes both an AC cord and DC cord. For additional cord lengths that may be used with this charger, see the Battery Charger Cords page.</p>			

16

E



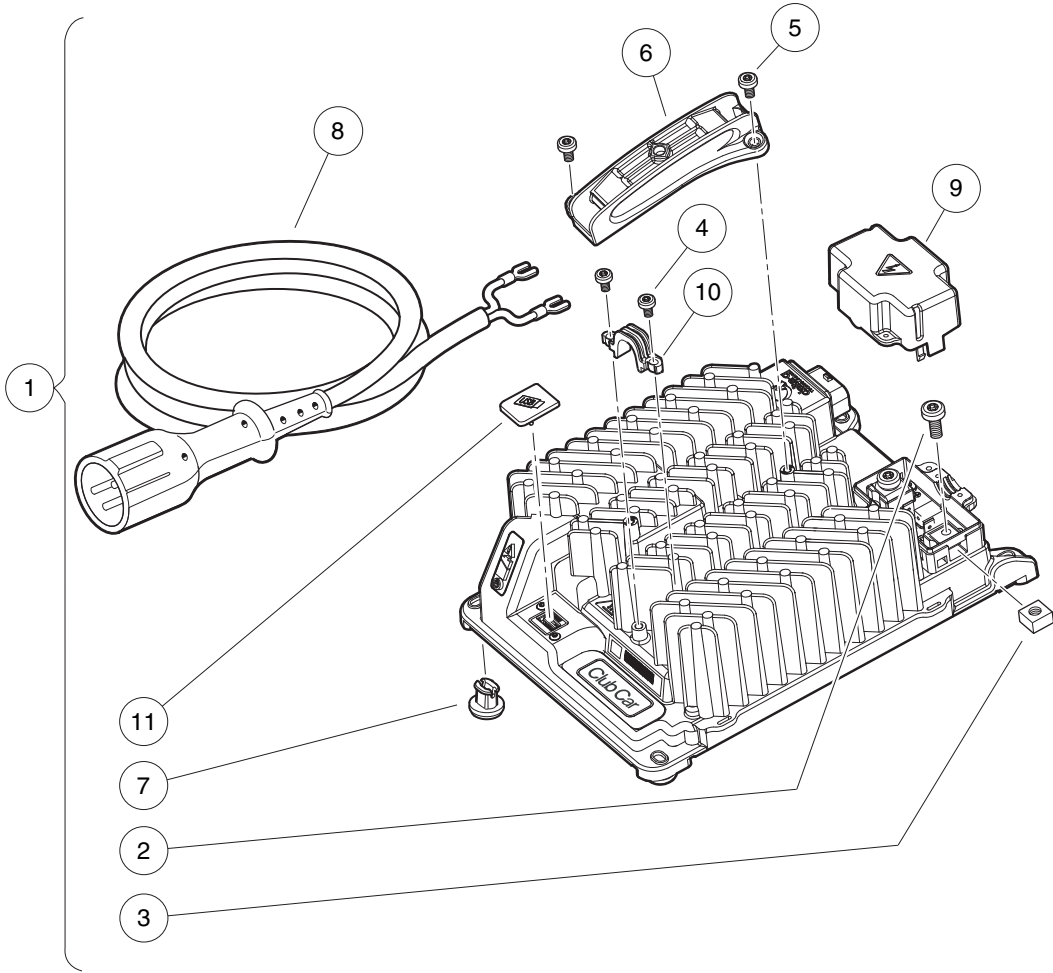
000610-003

BATTERY CHARGER, HIGH-FREQ., 2.74 M DC CORD – GLOBAL

ITEM	PART NO.	DESCRIPTION	QTY
		1 2 3 4	
1	104029601	Charger, Asm, High-Freq, 9ft (2.74 m) Yellow DC Cord (includes items 2 through 11)	1
2	104024501	Screw, M6, Torx Head	2
3	104024601	Nut, M6, Square, Captured	2
4	104028901	Screw, M4 X .70, Pan Hd, Torx	2
5	104029001	Screw, M5 X .80, Pan Hd, Torx	2
6	105003601	Handle, Charger, High-Freq	1
7	105003701	Foot, Charger, High-Freq	4
8	105070101	Cord, DC, Yellow, 9ft (2.74 m)	1
9	105092301	Cover, DC Terminal Block, High-Freq Charger	1
10	105093101	Strain Relief, High-Freq, External, Charger	1
11	105123801	Cover, USB	1
<p>Note: This charger does not include the AC cord. To complete the charger, choose the appropriate type and length of AC cord found on the Battery Charger Cords page.</p>			

16

E



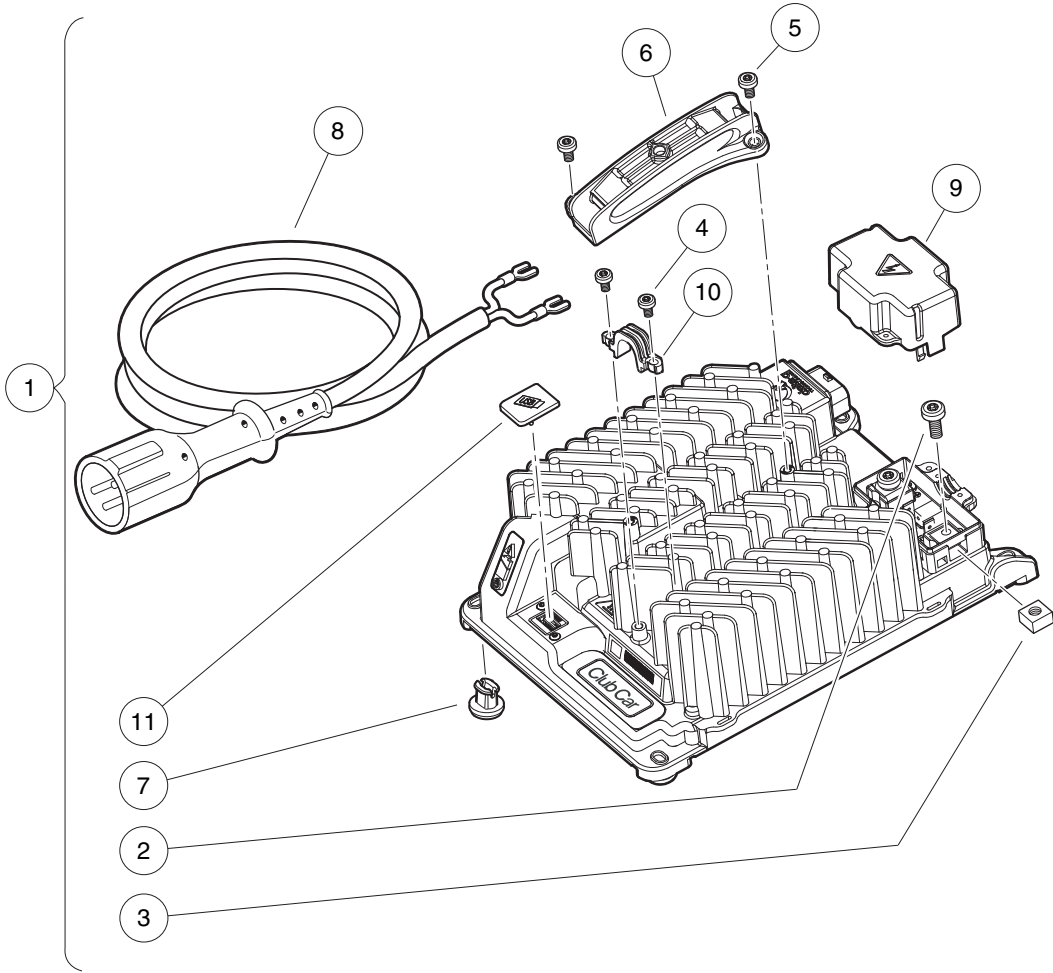
000610-003

BATTERY CHARGER, HIGH-FREQ., 3.66 M DC CORD – GLOBAL

ITEM	PART NO.	DESCRIPTION	QTY
		1 2 3 4	
1	104029602	Charger, Asm, High-Freq, 12ft (3.66 m) Yellow DC Cord (includes items 2 through 11) ..	1
2	104024501	Screw, M6, Torx Head	2
3	104024601	Nut, M6, Square, Captured	2
4	104028901	Screw, M4 X .70, Pan Hd, Torx	2
5	104029001	Screw, M5 X .80, Pan Hd, Torx	2
6	105003601	Handle, Charger, High-Freq	1
7	105003701	Foot, Charger, High-Freq	4
8	105070102	Cord, DC, Yellow, 12ft (3.66 m)	1
9	105092301	Cover, DC Terminal Block, High-Freq Charger	1
10	105093101	Strain Relief, High-Freq, External, Charger	1
11	105123801	Cover, USB	1
<p>Note: This charger does not include the AC cord. To complete the charger, choose the appropriate type and length of AC cord found on the Battery Charger Cords page.</p>			

16

E



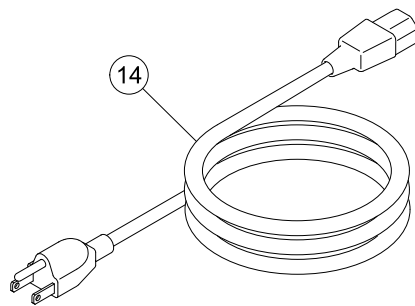
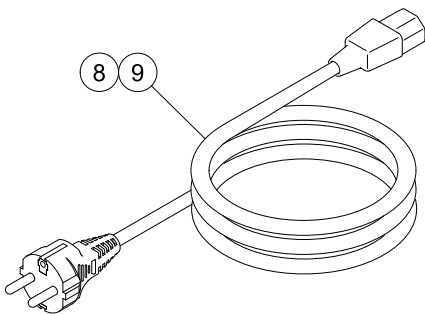
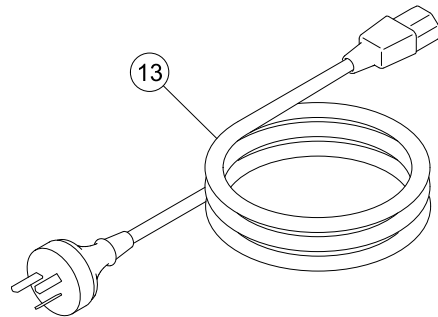
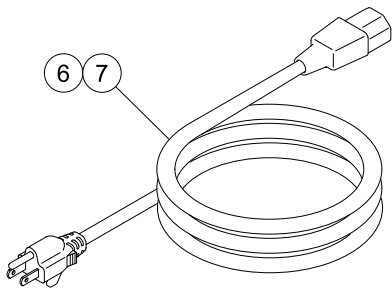
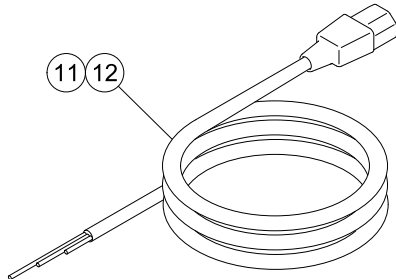
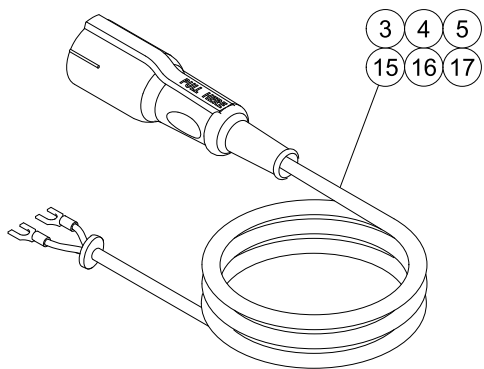
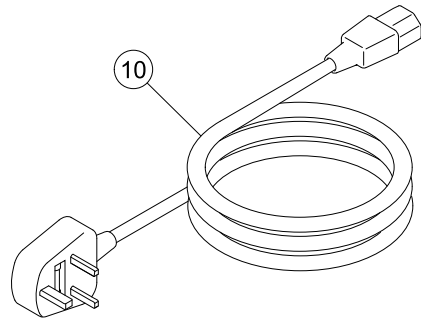
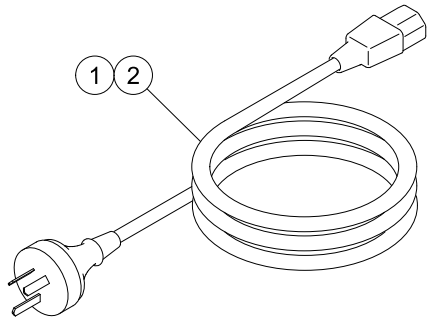
000610-003

BATTERY CHARGER, HIGH-FREQ., 6.1 M DC CORD – GLOBAL

ITEM	PART NO.	DESCRIPTION	QTY
		1 2 3 4	
1	104029603	Charger, Asm, High-Freq, 20ft (6.1 m) Yellow DC Cord (includes items 2 through 11)	1
2	104024501	Screw, M6, Torx Head	2
3	104024601	Nut, M6, Square, Captured	2
4	104028901	Screw, M4 X .70, Pan Hd, Torx	2
5	104029001	Screw, M5 X .80, Pan Hd, Torx	2
6	105003601	Handle, Charger, High-Freq	1
7	105003701	Foot, Charger, High-Freq	4
8	105070103	Cord, DC, Yellow, 20ft (6.1 m)	1
9	105092301	Cover, DC Terminal Block, High-Freq Charger	1
10	105093101	Strain Relief, High-Freq, External, Charger	1
11	105123801	Cover, USB	1
		 Note: This charger does not include the AC cord. To complete the charger, choose the appropriate type and length of AC cord found on the Battery Charger Cords page.	

16

E



G-130899-000006

CORDS – BATTERY CHARGER, HIGH-FREQUENCY

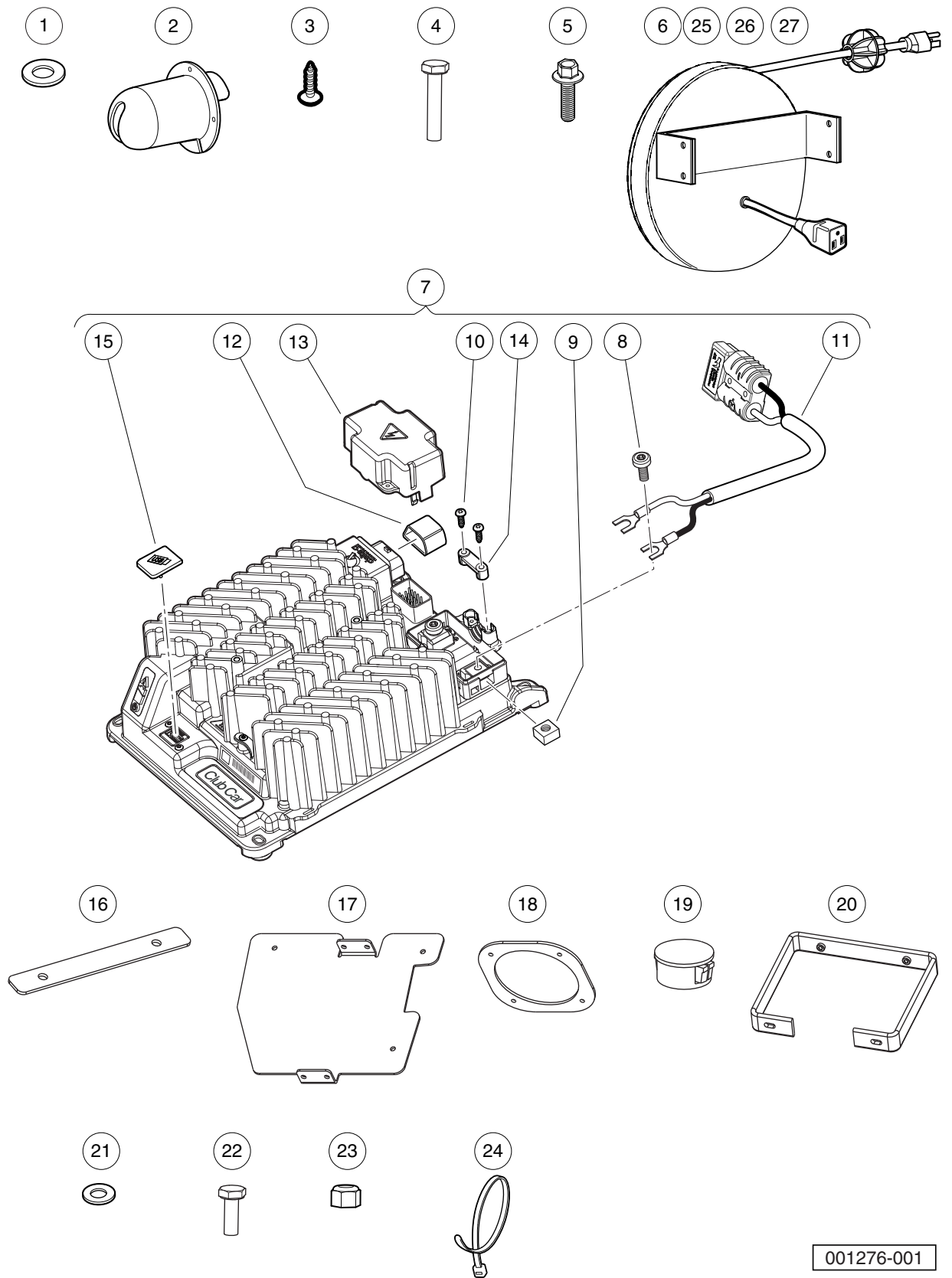
ITEM	PART NO.	DESCRIPTION	QTY
		1 2 3 4	
1	105068201	Cord, AC, lec320, 6ft (1.83 m), China	A/R
2	105068202	Cord, AC, lec320, 9ft (2.74 m), China	A/R
3	105070101	Cord, DC, Yellow, 9ft (2.74 m)	A/R
4	105070102	Cord, DC, Yellow, 12ft (3.66 m)	A/R
5	105070103	Cord, DC, Yellow, 20ft (6.1 m)	A/R
6	47606837001	Cord, Ac, lec320, 9Us'	A/R
7	47606837002	Cord, Ac, lec320, 6Us'	A/R
8	47612314001	Cord, Ac, lec320, 6, Eu'	A/R
9	47612314002	Cord, Ac, lec320, 9, Eu'	A/R
10	47612315002	Cord, Ac, lec320, 9, Gb'	A/R
11	47612316001	Cord, Ac, lec320, 6, Non-term'	A/R
12	47612316002	Cord, Ac, lec320, 9, Non-term'	A/R
13	47612317002	Cord, Ac, lec320, 9, Australi'	A/R
14	47612318002	Cord, ac, lec320, 9, Japan'	A/R
15	47655301001	Harness, PWR, Charger, Blk, 9'	A/R
16	47655301002	Harness, PWR, Charger, Blk, 12'	A/R
17	47655301003	Harness, PWR, Charger, Blk, 20'	A/R
		<p>Note: Items 3, 4 and 5 are specific to JCI battery chargers. Items 15, 16 and 17 are specific to Trojan battery chargers.</p>	

16

E

16

E



001276-001

JCI BATTERY CHARGER, HIGH-FREQUENCY – ONBOARD – FIXED REAR SEAT

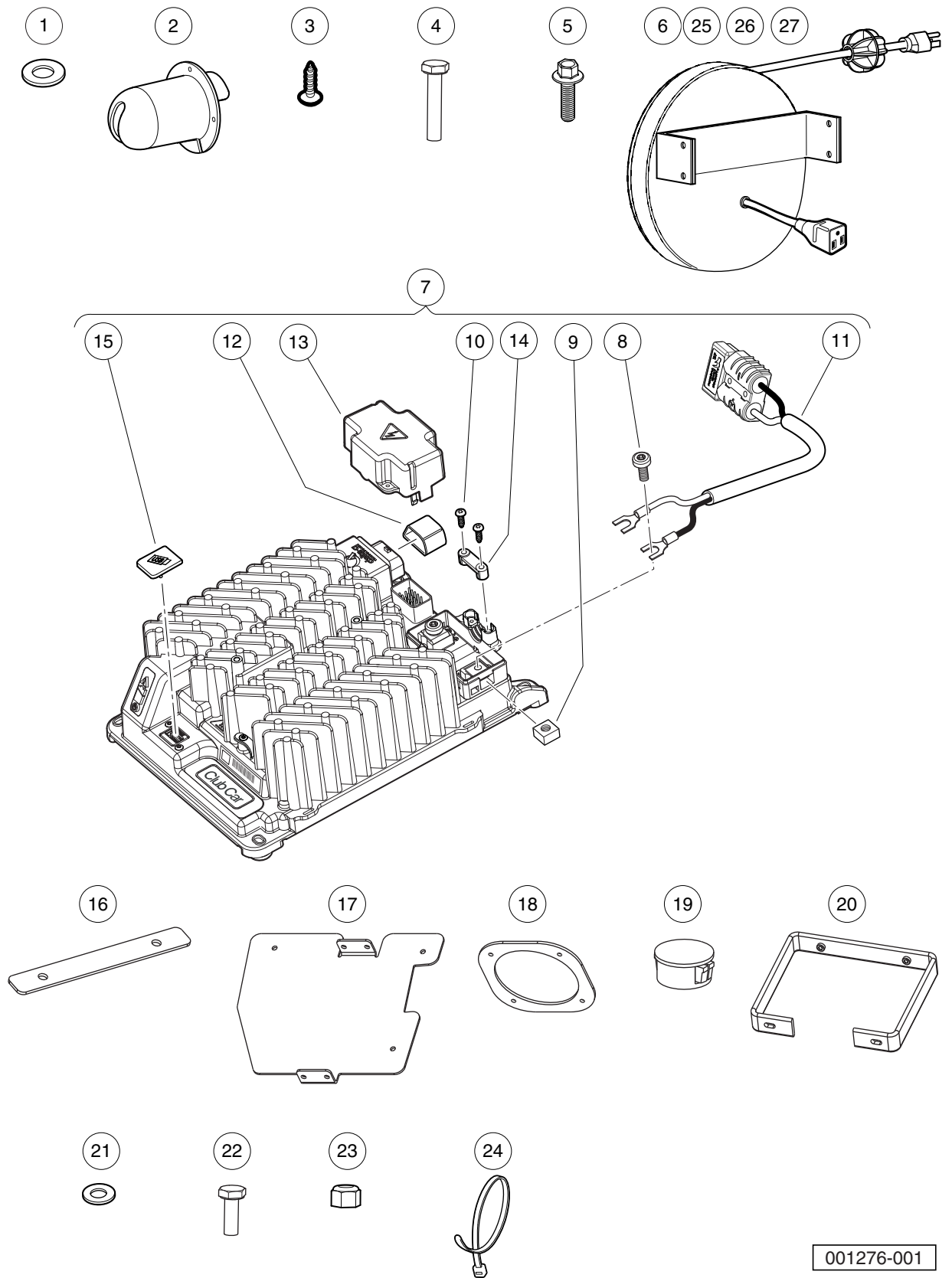
ITEM	PART NO.	DESCRIPTION	QTY
		1 2 3 4	
1	1014306	Washer, 1/4" Type B Flat	3
2	1016673	Housing, Cord Reel	1
3	101832001	Screw, #7-19 X 0.625 Phillips Pan-Head Tap	4
4	101861901	Screw, 1/4-20 X 1.125 Hex Cap	4
5	102541401	Bolt-m6x1.0x20 Hex Flhd Blk-I	4
6	103872701	Cord Reel, Hf Charger	1
7	105083001	Charger, Asm, High-Freq, Onboard (includes items 8 through 15)	1
8	104024501	Screw, M6, Torx Head	2
9	104024601	Nut, M6, Square, Captured	2
10	104029301	Screw, M3x1.5, Plastic Tapping	2
11	105084401	Cord, DC, Onboard	1
12	105086801	Sleeve, lec 320 C14	1
13	105092301	Cover, DC Terminal Block, High-Freq Charger	1
14	105094101	Strain Relief, DC Block, High-Freq, Onboard, Charger	1
15	105123801	Cover, USB	1
16	105299001	Plate, Charger, Mtg, Ubdy	2
17	105299101	Plate, Cord Reel, Mtg, Unbody	1
18	105299601	Plate, Backing, Charge Port	1
19	105300801	Plug, Push In, 61/64" Diameter	1
20	105315201	Asm, Bracket, Obc Eric Mount	2
21	332	Washer, 1/4 Type A Narrow Flat	8
22	7847	Screw, 1/4-20 X 0.75 Hex-Head Cap	7
23	8233	Locknut, 1/4-20, Nylon Insert	4
24	8990	Tie Wrap, 8" Nylon	1
25	SVP738601	Cord Reel Retract 3ft 14ga Uk	1
26	SVP738701	Cord Reel Retract 3ft 14ga Eu	1
27	SVP738801	Cord Reel Retract 3ft 14ga Aus	1

16

E

16

E



001276-001

TROJAN BATTERY CHARGER, HIGH-FREQUENCY – ONBOARD – FIXED REAR SEAT

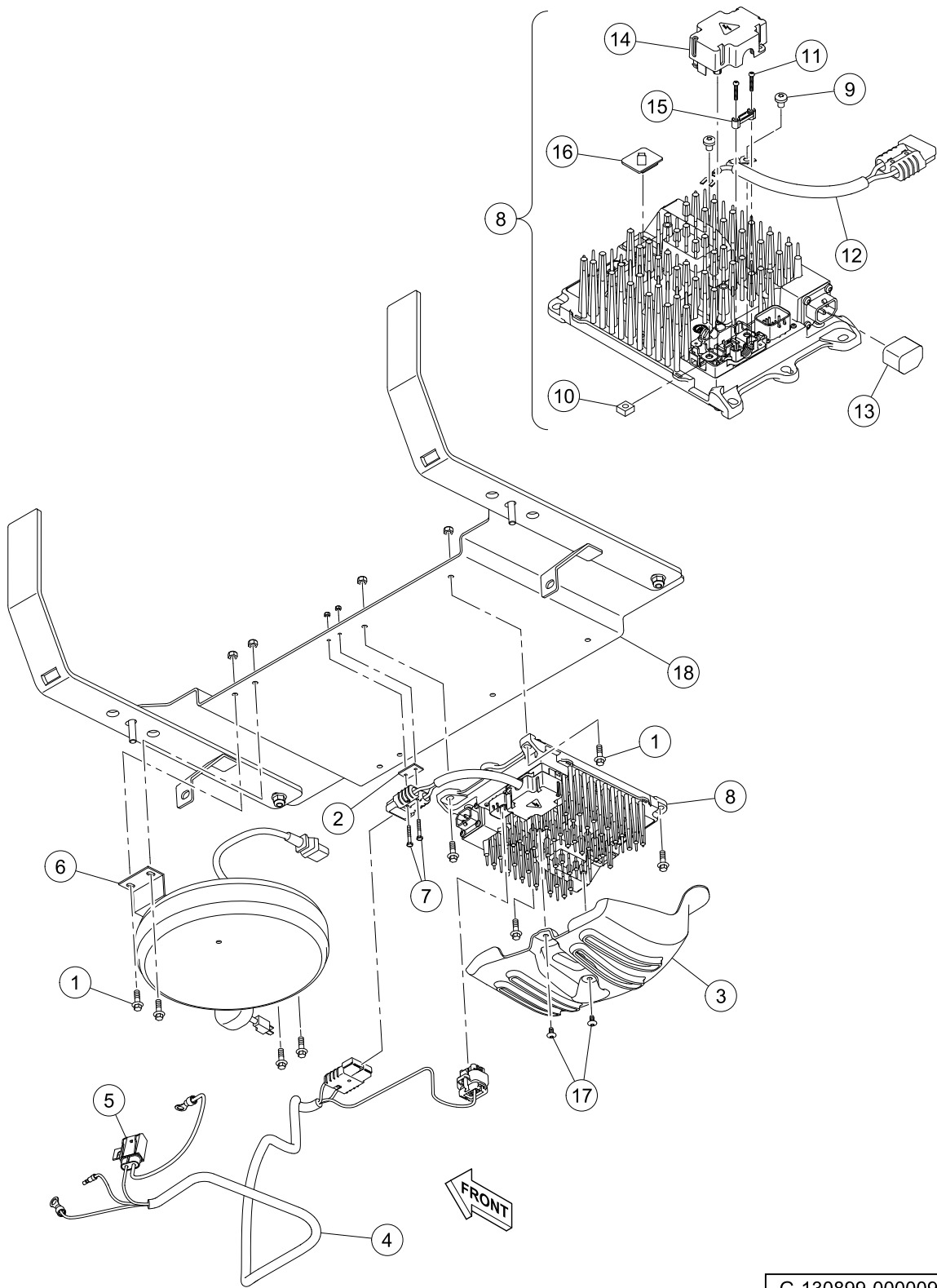
ITEM	PART NO.	DESCRIPTION	QTY
		1 2 3 4	
1	1014306	Washer, 1/4" Type B Flat	3
2	1016673	Housing, Cord Reel	1
3	101832001	Screw, #7-19 X 0.625 Phillips Pan-Head Tap	4
4	101861901	Screw, 1/4-20 X 1.125 Hex Cap	4
5	102541401	Bolt-m6x1.0x20 Hex Flhd Blk-I	4
6	103872701	Cord Reel, Hf Charger	1
7	105083002	Charger Asm, Hf, Onboard, Trojan (includes items 8 through 15)	1
8	104024501	Screw, M6, Torx Head	2
9	104024601	Nut, M6, Square, Captured	2
10	104029301	Screw, M3x1.5, Plastic Tapping	2
11	105084402	Harness, Chgr, Pwr	1
12	105086801	Sleeve, lec 320 C14	1
13	105092301	Cover, DC Terminal Block, High-Freq Charger	1
14	105094101	Strain Relief, DC Block, High-Freq, Onboard, Charger	1
15	105123801	Cover, USB	1
16	105299001	Plate, Charger, Mtg, Ubdy	2
17	105299101	Plate, Cord Reel, Mtg, Unbody	1
18	105299601	Plate, Backing, Charge Port	1
19	105300801	Plug, Push In, 61/64" Diameter	1
20	105315201	Asm, Bracket, Obc Eric Mount	2
21	332	Washer, 1/4 Type A Narrow Flat	8
22	7847	Screw, 1/4-20 X 0.75 Hex-Head Cap	7
23	8233	Locknut, 1/4-20, Nylon Insert	4
24	8990	Tie Wrap, 8" Nylon	1
25	SVP738601	Cord Reel Retract 3ft 14ga Uk	1
26	SVP738701	Cord Reel Retract 3ft 14ga Eu	1
27	SVP738801	Cord Reel Retract 3ft 14ga Aus	1

16

E

16

E



G-130899-000009

JCI BATTERY CHARGER, HIGH-FREQUENCY – ONBOARD (FOLD-DOWN REAR FACING SEAT)

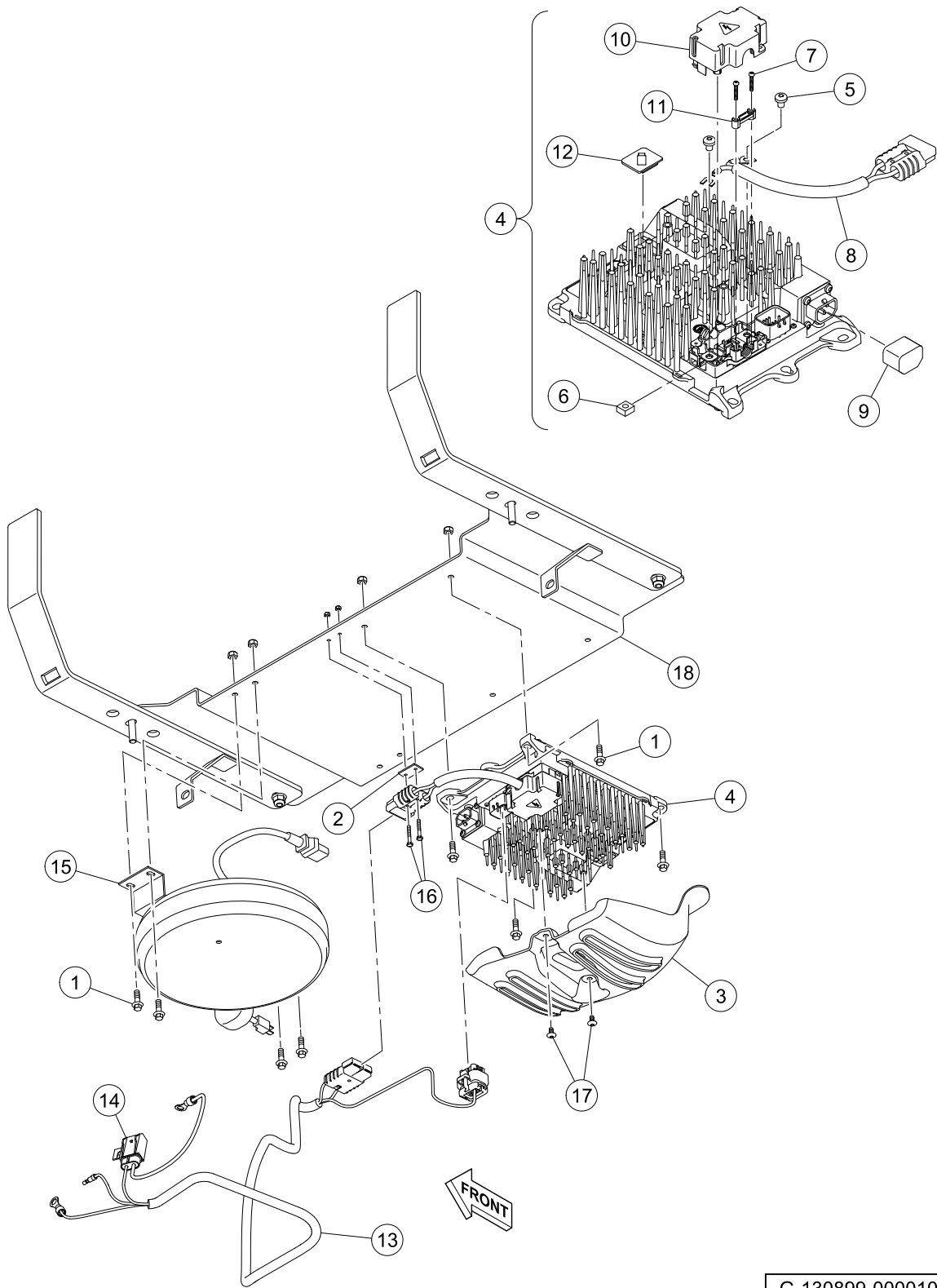
ITEM	PART NO.	DESCRIPTION	QTY
		1 2 3 4	
1	102541401	Bolt-m6x1.0x20 Hex Flhd Blk-I	8
2	105082601	Insulation, Thermal	1
3	105082801	Shield, Charger, High-Freq	1
4	105084301	Harness, Wire, High-Freq Onboard Charger, 4-Pass (includes item 5)	1
5	102492301	Fuse, 30-Amp	1
6	105084501	Cord Reel, AC, Retractable, High-Freq Charger, Onboard	1
7	105086901	Screw, #6-20 Type Abx1.25 Pan	2
8	105096202	Charger, 650w High Freq, OB (includes items 9 through 16)	1
9	104024501	Screw, M6, Torx Head	2
10	104024601	Nut, M6, Square, Captured	2
11	104029301	Screw, M3x1.5, Plastic Tapping	2
12	105084401	Cord, DC, Onboard	1
13	105086801	Sleeve, lec 320 C14	1
14	105092301	Cover, DC Terminal Block, High-Freq Charger	1
15	105094101	Strain Relief, DC Block, High-Freq, Onboard, Charger	1
16	105123801	Cover, USB	1
17	105101001	Screw, M5-0.8x10, Torx, Trs	2
18	105298501	Bracket Adapter	1
		Note: Used on 4-passenger vehicle with fold-down rear-facing back seat only.	

16

E

16

E



G-130899-000010

TROJAN BATTERY CHARGER, HIGH-FREQUENCY – ONBOARD (FOLD-DOWN REAR FACING SEAT)

ITEM	PART NO.	DESCRIPTION	QTY
		1 2 3 4	
1	102541401	Bolt-m6x1.0x20 Hex Flhd Blk-I	8
2	105082601	Insulation, Thermal	1
3	105082801	Shield, Charger, High-Freq	1
4	105083002	Charger Asm, Hf, Onboard, Trojan (includes items 5 through 12)	1
5	104024501	Screw, M6, Torx Head	2
6	104024601	Nut, M6, Square, Captured	2
7	104029301	Screw, M3x1.5, Plastic Tapping	2
8	105084402	Harness, Chgr, Pwr	1
9	105086801	Sleeve, lec 320 C14	1
10	105092301	Cover, DC Terminal Block, High-Freq Charger	1
11	105094101	Strain Relief, DC Block, High-Freq, Onboard, Charger	1
12	105123801	Cover, USB	1
13	105084301	Harness, Wire, High-Freq Onboard Charger, 4-Pass (includes item 14)	1
14	102492301	Fuse, 30-Amp	1
15	105084501	Cord Reel, AC, Retractable, High-Freq Charger, Onboard	1
16	105086901	Screw, #6-20 Type Abx1.25 Pan	2
17	105101001	Screw, M5-0.8x10, Torx, Trs	2
18	105298501	Bracket Adapter	1
		Note: Used on 4-passenger vehicle with fold-down rear-facing back seat only.	

16

E

16

E

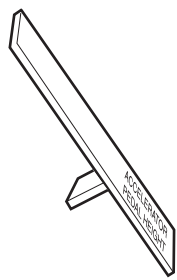
MAINTENANCE AND SERVICE TOOLS

17

G

E

17
G
E



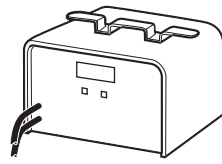
1



2



3



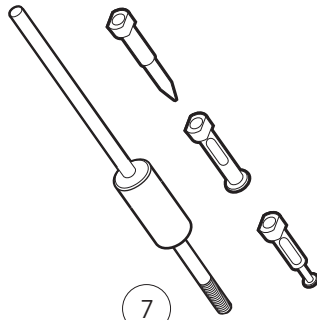
4



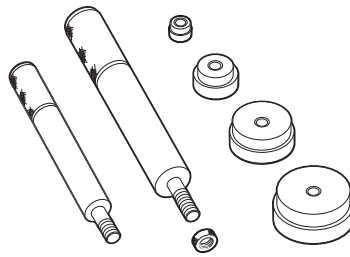
5



6



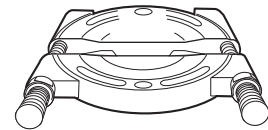
7



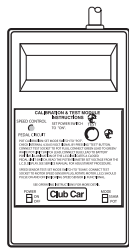
8



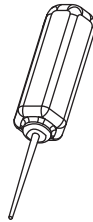
9



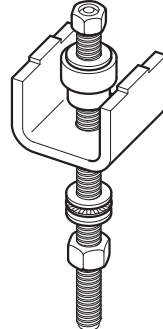
10



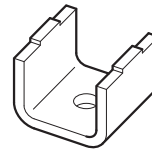
11



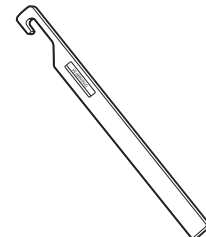
12



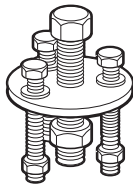
13



14



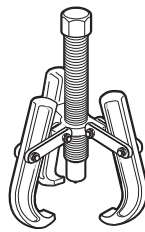
15



16



17



18



19

001060-003

MAINTENANCE AND SERVICE TOOLS

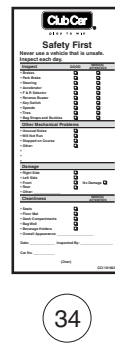
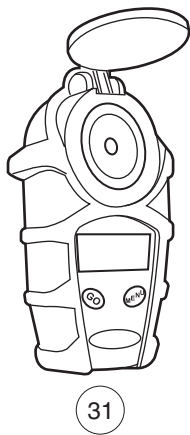
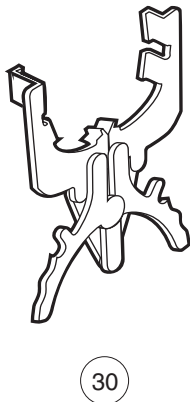
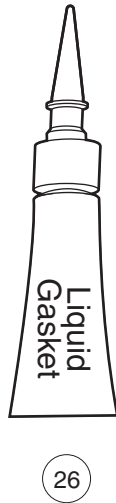
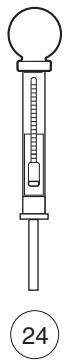
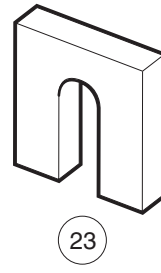
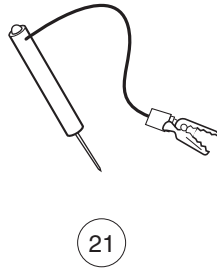
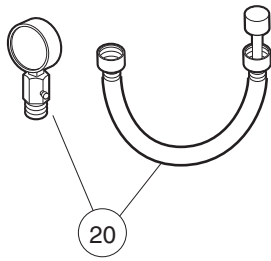
ITEM	PART NO.	DESCRIPTION	QTY GAS	QTY ELEC
		<p>1 2 3 4</p> <p>The following tool list includes all tools available from Club Car for maintenance and service procedures for gasoline and electric golf and utility vehicles. Be sure to carefully examine the tool list for applicability to your vehicle before ordering.</p>		
1	101871001	Accelerator Pedal Adjustment Tool (Utility Vehicles).....	1	1
2	101813202	Adhesive, Guide Ring, 3-Gram Tube		1
3	101641202	Arbor	1	
4	101831901	Battery Discharge Machine, 36/48 Volt		1
5	1014305	Battery Terminal Protector Spray	1	1
6	1011767	Battery Thermometer	1	1
7	1016417	Bearing and Oil Seal Remover Assembly	1	1
8	1016416	Bearing Driver Set	1	1
9	1012811	Bearing Puller	1	1
10	1012812	Bearing Puller Wedge Attachment	1	1
11	101887101	Calibration Test Module		1
12	102562401	Charger Bezel Tool		1
		Clutch Tools (items 13 - 19)	1	
13	47568549001	Driven Clutch Tool	1	
14	47568246001	Plate, Cam Press (supplied with item 13).....	1	
15	105072501	Drive Clutch Holder Tool Assembly	1	
16	1014497	Drive Clutch Hub Puller	1	
17	1014496	Drive Clutch Puller	1	
18	1014508	Driven Clutch Cam Puller	1	
19	1014507	Driven Clutch Puller Plug	1	
		<p>Please refer to the maintenance and service manual for proper tool application.</p>		

17

G

E

17
G
E



001061-003

MAINTENANCE AND SERVICE TOOLS, CONTINUED

ITEM	PART NO.	DESCRIPTION	QTY GAS	QTY ELEC
		1 2 3 4		
20	101641002	Compression Gauge and Adapter	1	
21	1011273	Continuity Tester	1	1
22	1012151	Dry Moly Lubricant	1	1
23	1016418	Gear Yoke	1	1
24	1011478	Hydrometer	1	1
25	1013593	Internal Retaining Ring Pliers	1	1
26	101928701	Liquid Gasket (transaxle case)	1	1
27	102243402	Moly-Teflon Lubricant (4-oz. (113-gram) tube)		1
28	102587201	Paint Pen, Touch-Up, Underbody ,Black	1	1
29	1016414	Piston Ring Compressor Kit	1	
30	1016415	Piston Ring Pliers	1	
31	AM1285701	Refractometer	1	1
32	1012549	Retaining Ring Pliers, 45 External	1	1
33	1012560	Retaining Ring Pliers, 90 Internal	1	1
34	101823101	Safety First Card (50 per pack)	1	1
35	1012809	Seal Puller	1	1
		Please refer to the maintenance and service manual for proper tool application.		

17

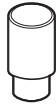
G

E

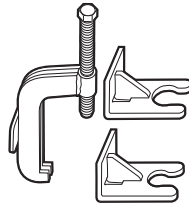
17
G
E



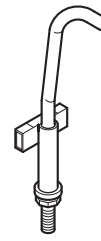
36



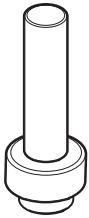
37



38



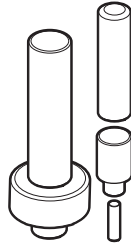
39



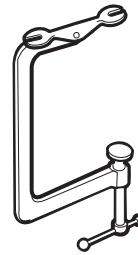
40



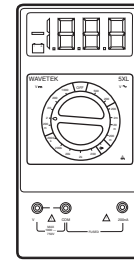
41



42



43



44



45



46



47

001062-002

MAINTENANCE AND SERVICE TOOLS, CONTINUED

ITEM	PART NO.	DESCRIPTION	QTY GAS	QTY ELEC	
		1 2 3 4			17
36	1014264	Steering Column Bearing Press Tool	1	1	G
37	1014259	Steering Column Retaining Ring Tool	1	1	E
38	102061201	Steering Wheel Puller Tool	1	1	
39	102570401	Tool, Tensioning, Starter Generator	1		
40	1014162	Transaxle Axle Seal Tool		1	
41	1014161	Transaxle Pinion Seal Tool		1	
42	1014115	Transmission Tool Kit		1	
43	101641101	Valve Spring Compressor	1		
44	1011480	Volt Ohm Meter	1	1	
45	47631025001	Kit, EFI Diagnostics	1		
46	47631026001	Kit, Bluetooth EFI Diagnostics	1		
47	47631075001	Kit, EFI Tool	1		
<p>Please refer to the maintenance and service manual for proper tool application.</p>					

INDEX

Part Number and Page

AM10079	4-9, 4-11	1011897	1-47	1014305	17-3
AM10092	1-57	1012151	17-5	1014306	16-15, 16-17
AM10419	11-9	1012180	6-15, 6-19	1014453	11-5, 11-7
AM10682	2-3	1012181	6-19	1014454	11-9
AM1231201	1-25	1012182	6-19	1014496	17-3
AM1292101	1-25	1012295	7-5	1014497	17-3
AM1300001	13-15	1012431	7-17, 12-3	1014507	17-3
AM1300101	13-15	1012505	4-9, 4-11	1014508	17-3
AM1300201	13-15	1012528	13-17	1014555	6-15, 6-19, 13-9, 13-11
AM1300301	13-15	1012549	17-5	1014727	7-17, 12-3
SVP738601	16-15, 16-17	1012560	17-5	1014807	7-17, 12-3
SVP738701	16-15, 16-17	1012565	6-3, 6-5	1014902	1-51, 1-53, 1-55
SVP738801	16-15, 16-17	1012566	6-3, 6-5	1014947	13-17
SVP915201	1-23	1012571	1-15	1015064	12-3
183	4-15, 11-5, 11-7	1012594	7-17, 12-3	1015332	8-9
332	1-57, 12-7, 16-15, 16-17	1012649	9-7	1015524	17-3
334	11-5, 11-7	1012809	17-5	1015583	6-15, 6-19
451	14-3	1012811	17-3	101558302	6-15, 6-17, 6-19
1016	4-15	1012812	17-3	101587711	9-7
1242	5-7, 7-9, 7-11	1012836	11-9	101587712	9-7
1620	1-25	1012987	12-3	1015932	7-9
1624	7-9	1013042	6-9	101609401	1-47, 3-3
7174	7-9	1013164	6-15, 6-19	101611402	15-5
7310	2-3	1013589	12-3	1016154	6-3, 6-5
7311	1-57	1013590	12-3	1016201	11-5, 11-7
7330	15-3	1013591	12-3	1016214	6-3, 6-5
7335	15-3	1013593	17-5	1016289	11-5, 11-7
7336	15-3	1013609	7-11	101641002	17-5
7847	16-15, 16-17	1013734	13-17	101641101	17-7
7893	4-15, 7-11	1013746	9-7	101641202	17-3
8056	7-17	1013794	15-3	1016414	17-5
8057	7-17, 12-3	1013857	4-11	1016415	17-5
8058	7-17, 12-3	1013924	5-3, 5-5, 8-7	1016416	17-3
8233	1-57, 9-13, 12-7, 12-9, 16-15, 16-17	1014007	9-13, 12-9	1016417	17-3
8450	11-5, 11-7	1014051	11-7	1016418	17-5
8639	13-5, 13-21	1014055	11-5, 11-7	1016673	16-15, 16-17
8717	12-3	1014056	11-5, 11-7	1016801	11-5, 11-7
8754	7-9	1014057	11-5, 11-7	1016849	4-9, 4-11
8990	6-9, 12-5, 13-5, 13-21, 16-15, 16-17	1014058	11-5, 11-7	1016851	4-9, 4-11
1010145	6-15, 6-17, 6-19	1014059	11-5, 11-7	1016901	11-5
1010434	1-21, 1-45, 1-49, 1-51, 1-53, 1-55, 5-9, 5-11, 5-13, 5-15, 7-13, 13-11	1014062	11-5, 11-7	1017041	1-31
1010436	1-25	1014063	11-5, 11-7	101705701	1-51, 1-53, 1-55, 3-3
1010829	5-7	1014065	11-5, 11-7, 12-3	1017235	1-51, 1-53, 1-55, 6-19
1010909	4-15	1014072	11-9	1017686	11-9
1010958	13-9, 13-11	1014078	11-9	101791101	5-3
1010984	2-3	1014080	11-9	101808401	17-3
1011114	9-13, 12-9	1014115	17-7	101813202	17-3
1011137	5-5	1014145	12-3	101815501	5-3, 5-5
1011273	17-5	1014161	17-7	101815502	5-3, 5-5
1011415	6-15, 6-19	1014162	17-7	101816501	5-3, 5-5
1011478	17-5	1014201	14-3	101816502	5-3, 5-5
1011480	17-7	1014259	17-7	101823101	17-5
1011697	10-3	1014264	17-7	101823201	5-3, 5-5
1011767	17-3	1014287	11-5, 11-7	101823801	5-3, 5-5
		1014288	11-5, 11-7	101823901	5-3, 5-5
		1014304	13-9, 13-11	101830701	4-9, 4-11

INDEX

101831901	17-3	102186201	14-3	102298020	1-13, 1-15, 13-9, 13-11
101832001	13-5, 16-15, 16-17	102186401	14-3	102298030	1-17, 1-23, 1-45, 5-9, 5-11, 5-13, 5-15
101833401	11-9	102186701	14-3	102298116	6-7, 8-9
101834502	4-9, 4-11	102186901	14-3	102298130	6-7
101834601	8-7	102187101	14-3	102298170	6-15, 6-19, 6-21
101834602	8-7	102187201	14-3	102298175	6-15, 6-17, 6-19
101850301	6-3, 6-5	102196901	4-9	102298240	1-21, 1-45
101851101	4-9, 4-11	102199001	4-11	102298401	1-3, 1-5, 1-37, 1-39, 6-15, 6-17, 6-19, 8-9, 10-3
101856001	13-7	102235201	14-3	102298580	1-3, 6-15, 6-19
101861901	16-15, 16-17	102240501	13-17	102298601	1-3, 1-49, 6-15, 6-19
101862001	12-7	102242101	11-9	102298716	1-13
101865805	13-11	102243402	17-5	102298720	1-23, 1-49, 1-51, 1-53, 1-55, 4-3
101871001	17-3	102243403	14-3	102298745	1-45, 1-49, 1-51, 1-53, 1-55
101884801	8-7	102274101	12-17	102298995	1-3
101886101	9-13, 12-9	102279104	1-23	102299065	1-9, 1-37, 1-39, 1-43
101887101	17-3	102287101	6-11	102299360	1-37, 1-39
101887601	9-13	102287601	6-11	102299601	1-37, 1-39
101895401	15-3	102287701	6-11	102353201	6-13
101895501	15-3	102288101	6-11, 6-13	102353301	6-13
101897001	15-3	102288201	6-13	102353401	6-13
101897201	15-3	102288401	6-13	102356601	15-3
101897401	15-3	102288701	6-13	102356801	15-3
101897601	15-3	102288801	6-13	102357701	6-13
101898001	7-11	102288801	6-13	102410604	9-3, 9-13
101903601	15-3	102288901	6-11	102411209	9-17
101903701	15-3	102289001	6-9	102476401	9-13, 12-9
101906901	15-3	102289001	6-9	102478101	1-27, 1-29
101908401	4-17, 7-13, 13-7	102289101	6-13	102478201	1-29
101914001	15-5	102289101	6-13	102490301	9-3, 9-13
101920101	14-3	102289201	6-13	102491501	11-5, 11-7, 13-9, 13-11
101922101	15-3	102289401	6-11	102492301	13-5, 13-17, 16-19, 16-21
101922201	15-3	102289501	6-11, 6-13	102498201	9-13, 12-7, 12-9
101923001	15-3	102289601	6-11	102500801	5-9, 5-11, 5-13, 5-15
101923201	15-3	102289701	6-11	102501402	1-23
101923501	15-3	102289801	6-13	102501403	1-23
101923901	15-3	102289901	6-11	102502501	1-7
101928701	15-3, 17-5	102290120	6-3, 6-5, 6-7	102504001	1-21
101936101	15-5	102292101	1-3	102504201	1-21
101942301	14-3	102292201	5-9, 5-11, 5-13, 5-15	102504301	1-21
101954301	1-19	102292356	1-11, 1-13, 13-9, 13-11	102504802	1-13
101960501	3-5	102292701	1-13, 1-23	102505701	1-3, 6-11
101972001	1-47, 3-3	102292801	5-7	102506401	6-15, 6-17, 6-19
101972101	15-3	102296020	1-7, 1-27, 1-29, 4-5, 7-3, 7-11, 9-3, 9-17	102507801	1-3
101972201	15-3	102296040	7-11, 12-3	102508202	1-17
101978601	15-5	102296140	1-35	102508401	13-7
101979101	7-17, 12-3	102296150	1-27, 1-29, 1-39	102508601	4-9
101985201	1-31	102296301	1-27, 1-29, 1-33, 1-47, 9-3	102508901	1-35
101998501	1-19	102296401	1-35	102508902	1-35
102022601	6-9	102296530	1-21, 1-45, 1-51, 1-53, 1-55	102508903	1-35
102025801	9-5	102296601	1-23	102511101	4-17, 13-7
102051901	4-11	102296716	9-13, 13-17	102511601	1-35
102061201	17-7	102296720	8-9	102511602	1-35
102155801	11-9	102296819	1-11	102511603	1-35
102163001	1-33	102296920	13-7	102512501	8-9
102186001	14-3	102297001	1-11		
102186101	14-3	102297125	9-17		
		102297230	1-21, 1-23, 1-25, 1-27, 1-29, 1-31		
		102297901	5-7		

INDEX

102513501	1-37, 1-39	102570907	1-55	103200701	4-9
102515101	4-11	102571202	13-11	103205101	1-35
102516901	1-17	102572401	4-9	103205501	3-5, 7-13
102517001	1-21	102573101	1-45, 1-51, 1-53, 1-55	103210101	1-35
102517501	4-3	102581201	1-43	103262201	8-5
102517601	4-7	102582401	1-27, 1-29, 1-33, 1-47	103286201	1-41
102517901	3-5	102584701	1-49, 1-51, 1-53, 1-55	103286202	1-41
102519301	3-3	102584801	1-49, 1-51, 1-53, 1-55	103286203	1-41
102521401	9-17	102587201	17-5	103325001	1-5
102521901	1-13	102588501	6-15, 6-17, 6-19	103327601	1-21
102526201	12-3	102588601	6-11	103347601	7-7
102528901	4-19	102594301	5-7	103347701	7-7
102529001	4-19	102594801	5-9, 5-11, 5-13, 5-15	103347801	7-7
102529201	4-3, 4-7	102594901	5-9, 5-11, 5-13, 5-15	103348201	4-11
102531001	1-49, 1-51, 1-53, 1-55	102595201	5-9, 5-11, 5-13, 5-15	103348602	4-11
102531402	1-49, 1-51, 1-53, 1-55	102595301	5-9, 5-11, 5-13, 5-15	103350801	13-9, 13-11
102531502	1-45, 1-51, 1-53, 1-55	102595401	5-9, 5-11, 5-13, 5-15	103357701	13-9, 13-11
102534201	1-5, 1-49, 1-51, 1-53, 1-55	102595502	5-9, 7-3	103367901	13-17
102534801	1-51, 1-53, 1-55, 6-19	102595901	5-9, 5-11, 5-13, 5-15	103368301	13-9, 13-11
102535401	4-7	102596001	5-9, 5-11, 5-13, 5-15	103368401	13-9, 13-11
102536103	1-31	102596301	5-11, 5-13, 5-15	103372101	9-3
102538601	13-5	102617201	8-5	103372401	9-7
102538803	1-25	102617801	12-17	103374801	13-9, 13-11
102540301	8-7	102618601	1-47	103375301	13-9, 13-11
102541401	1-25, 1-31, 7-9, 16-15, 16-17, 16-19, 16-21	102621501	1-43, 7-9	103375402	13-5, 13-17
102541425	1-27, 1-29, 1-43, 1-45, 1-51, 1-53, 1-55	102670701	6-17	103375702	13-5
102541445	1-47	102704701	14-3	103380201	5-3, 5-5
102541465	1-47	102704801	14-3	103380202	5-3, 5-5
102541501	1-47	102704901	14-3	103384601	3-3, 3-5
102543903	1-9	102732401	8-5	103384701	3-5
102544201	1-9, 1-37, 1-39, 1-43	102771701	15-3	103384801	3-5
102551901	5-7	102803301	7-11	103388501	6-11
102552001	5-7	102838701	7-7	103395505	13-13
102554901	13-5	102838801	7-7	103397901	4-3
102555901	3-3	102838901	7-7	103402701	1-11
102556701	2-3	102839001	7-7	103414901	4-3
102557201	1-11	102839301	7-7	103449501	13-21
102558201	8-3, 9-17	102841101	7-7	103449601	13-21
102558301	9-17	102865901	13-17	103451301	1-27, 1-29
102558501	9-17	102878201	6-13	103451401	1-27, 1-29
102558601	9-17	102886301	15-3	103451901	1-29
102558701	9-17	102886401	15-3	103451902	1-29
102559401	5-9, 5-11, 5-13, 5-15	102886501	15-3	103451903	1-29
102559701	5-9, 5-11, 5-13, 5-15	102886601	15-3	103459104	2-3
102559901	2-3	102902801	15-3	103470701	9-3
102559902	2-3	102915601	1-11	103483101	5-3, 5-5
102562401	17-3	102922701	10-3	103483102	5-3, 5-5
102565201	6-9	102947601	1-33	103483201	5-3, 5-5
102566001	6-9	102956201	6-11, 6-13	103483401	5-3, 5-5
102569302	2-3	102958001	13-13	103483601	5-3, 5-5
102569311	2-3	102967901	1-23	103483701	5-3, 5-5
102570401	17-7	103146501	6-21	103508101	8-5
102570905	1-51	103196001	1-37, 1-39, 1-43	103510602	13-13
102570906	1-53	103198401	7-13	103528701	5-7
		103199301	1-43	103528702	5-7
		103200301	1-37, 1-39	103535001	5-7

INDEX

103572501	14-3	103853124	1-21, 1-45, 1-55	104005901	13-15
103582801	15-3	103853125	1-21, 1-45	104006101	13-15
103597101	4-3	103866801	1-45	104008001	1-35
103624601	1-51, 1-53, 1-55	103866802	1-45	104008002	1-35
103624602	1-51, 1-53, 1-55	103866901	1-45, 1-51, 1-53, 1-55	104008003	1-35
103635201	1-13	103866902	1-45, 1-51, 1-53, 1-55	104008503	1-39
103638601	6-13	103866903	1-47	104021701	12-17
103638701	6-13	103866904	1-47	104023201	13-5
103638702	6-13	103872701	16-15, 16-17	104023421	1-19
103638801	6-13	103874111	5-15	104023422	1-19
103638901	1-3	103879701	12-11	104023424	1-19
103647402	13-9, 13-11	103886601	12-5	104023425	1-19
103647403	13-9, 13-11	103886801	1-31	104023501	9-13, 12-9
103653001	1-45, 1-51, 1-53, 1-55	103896607	9-7	104024001	13-5, 13-17
103653201	1-43	103921601	6-15	104024501	16-3, 16-5, 16-7, 16-9, 16-11, 16-15, 16-17, 16-19, 16-21
103662801	1-25	103921602	6-15	104024601	16-3, 16-5, 16-7, 16-9, 16-11, 16-15, 16-17, 16-19, 16-21
103677101	1-33	103922401	1-49, 1-51, 1-53, 1-55	104025101	11-9
103679701	6-9	103924801	7-5, 13-5	104027101	12-17
103694501	2-3	103926603	1-3	104028901	16-3, 16-5, 16-7, 16-9, 16-11
103699401	1-21	103929301	1-21	104029001	16-3, 16-5, 16-7, 16-9, 16-11
103724501	6-5	103929302	1-21	104029301	16-15, 16-17, 16-19, 16-21
103724503	6-3	103935601	6-13	104029601	16-3, 16-7
103724601	6-3, 6-5	103943401	5-15, 13-3	104029602	16-9
103724901	6-3, 6-5	103951001	2-3	104029603	16-11
103725703	1-43	103951002	2-3	104029604	16-5
103742303	1-51, 1-53, 1-55	103951007	2-3	105003601	16-3, 16-5, 16-7, 16-9, 16-11
103742304	6-17	103951501	12-17	105003701	16-3, 16-5, 16-7, 16-9, 16-11
103742305	6-15	103952901	1-21	105005001	13-17
103742306	6-19	103964901	6-15, 6-19	105005402	1-15
103750001	1-37, 1-39, 1-43	103965001	6-15, 6-19	105009001	9-17
103750101	1-37, 1-39, 1-43	103973901	11-7	105025001	12-11
103754901	1-33	103973902	11-5	105025101	12-11
103756401	9-7	103974102	11-3	105025201	12-11
103765601	13-9, 13-11	103974201	11-5, 11-7	105025301	12-11
103774701	13-13	103974401	11-5, 11-7	105025401	12-11
103774801	1-37	103974815	5-9	105025501	12-11
103777601	5-9, 5-11, 5-13, 5-15, 7-3	103974821	5-11, 5-13	105025601	12-11
103783001	3-5, 6-3, 6-5	103974901	5-9, 5-11, 5-13, 5-15	105025701	12-11
103783002	3-5, 6-3, 6-5	103975011	5-15	105025801	12-11
103783003	6-3	103975301	11-9	105025901	12-11
103796701	6-3	103975901	1-3	105026001	12-11
103810201	6-7	103976101	11-5, 11-7	105026101	12-11
103812901	1-23	103978801	1-21	105026201	12-11
103813001	1-23	103979301	12-17	105026301	12-11
103816401	1-43	103982001	9-13	105026401	12-11
103816402	1-43	103982002	9-13	105026501	12-11
103826201	6-9	103982301	13-17	105026601	12-11
103826301	6-9	103984601	11-5, 11-7	105026701	12-11
103832401	2-3	103989501	12-17	105026801	12-11
103832901	1-19	103989901	12-19	105026901	12-11
103833601	1-19	103990501	1-3	105027001	12-11
103833701	1-19	103990502	1-3	105027101	12-11
103833801	1-19	103990601	1-3	105027201	12-11
103833901	1-19	103991501	4-9	105027301	12-11
103853121	1-21, 1-45, 1-51	103994101	1-25		
103853122	1-21, 1-45, 1-53	103995001	12-17		

INDEX

105027401	12-13	105070103	16-11, 16-13	105188701	6-17
105027501	12-13	105070501	3-5	105223321	1-19
105027601	12-13	105074101	12-3	105223322	1-19
105027701	12-13	105081501	7-5	105223323	1-19
105027801	12-13	105081601	7-5	105223324	1-19
105027901	12-13	105082601	16-19, 16-21	105223325	1-19
105028001	12-13	105082801	16-19, 16-21	105223326	1-19
105028101	12-15	105083001	16-15	105223327	1-19
105028201	12-13	105083002	16-17, 16-21	105223328	1-19
105028301	12-11	105084301	13-17, 16-19, 16-21	105223329	1-19
105028401	12-13	105084401	16-15, 16-19	105223421	1-21
105028501	12-11	105084402	16-17, 16-21	105223422	1-21
105028601	12-13	105084501	16-19, 16-21	105223423	1-21
105028701	12-13	105086801	16-15, 16-17, 16-19, 16-21	105223424	1-21
105028801	12-13	105086901	16-19, 16-21	105223425	1-21
105028901	12-13	105092301	16-3, 16-5, 16-7, 16-9, 16-11, 16-15, 16-17, 16-19, 16-21	105223426	1-21
105029001	12-13	105093101	16-3, 16-5, 16-7, 16-9, 16-11	105223427	1-21
105029101	12-13	105094101	16-15, 16-17, 16-19, 16-21	105223428	1-21
105029201	12-13	105095201	16-3	105223429	1-21
105029301	12-15	105096101	11-5, 11-7	105234801	12-11, 12-13
105029401	12-15	105096202	16-19	105234901	12-11, 12-13
105029501	12-15	105101001	16-19, 16-21	105237399	7-11
105029601	12-15	105101221	1-45, 1-51	105245801	11-3
105029701	12-15	105101222	1-45, 1-53	105248601	1-33
105029801	12-15	105101224	1-45, 1-55	105248701	1-33
105029901	12-15	105101225	1-45	105267301	3-3
105030001	12-11	105102601	7-17	105267401	3-3
105030301	12-15	105114802	7-5	105267501	3-3
105030401	12-15	105114803	7-5	105268501	1-47
105030501	12-15	105114805	7-5	105284001	1-27
105030601	12-15	105114806	7-5	105288901	1-57
105030701	12-11	105114808	7-5	105289701	1-33
105030801	12-15	105116301	5-15, 13-3	105291501	1-13
105030901	12-13	105123801	16-3, 16-5, 16-7, 16-9, 16-11, 16-15, 16-17, 16-19, 16-21	105291701	1-27
105031001	12-15	105130201	7-5	105291702	1-27
105037101	4-11	105135101	9-13, 12-7	105291703	1-27
105037501	12-3	105137401	13-5, 13-17	105298501	16-19, 16-21
105037601	12-3	105138301	13-11	105299001	16-15, 16-17
105037701	12-3	105142401	2-3	105299101	16-15, 16-17
105038501	12-3	105143301	9-3	105299601	16-15, 16-17
105038801	12-5	105144401	9-13, 12-9	105300101	1-47
105039801	12-3	105152301	4-9	105300801	16-15, 16-17
105040401	12-3	105161701	7-7	105307901	1-47
105040901	12-7	105166801	13-15	105308425	1-47
105041101	12-3	105166901	13-15	105308440	1-47
105043801	9-5	105167001	13-15	105310201	1-47
105043901	9-5	105167101	13-15	105310202	1-47
105049001	6-7	105167701	13-9	105310203	1-47
105066001	12-15	105167706	13-9	105310204	1-47
105066101	12-15	105167707	13-9	105313801	1-57
105067501	3-5	105168501	13-15	105314001	1-13
105068201	16-13	105168601	13-15	105314101	1-13
105068202	16-13	105187901	6-13	105315201	16-15, 16-17
105068601	6-7	105188185	6-15, 6-17, 6-19	4 pass conversion kit, beige	1-51
105070101	16-3, 16-7, 16-13			4 pass conversion kit, gray	1-55
105070102	16-9, 16-13			4 pass conversion kit, white	1-53

INDEX

47539338002	7-9	47583791001	7-7	47594727001	4-13
47542195001	5-3, 5-5	47583794001	7-7	47597567001	2-3
47554735001	4-17	47583795001	8-7	47597567002	2-3
47554736001	4-17	47583912001	6-17	47598099001	8-5
47555612001	4-17	47584178001	7-7	47598441001	4-11
47557751001	4-17	47584179001	7-7	47600218001	11-9
47559264001	1-39	47584184001	8-7	47601355001	9-13
47559264002	1-39	47586191001	3-3	47601767001	11-9
47559265001	1-39	47586323001	7-3	47601767002	11-9
47559268001	1-39	47587701001	8-7	47601832001	11-9
47559475001	7-7	47587715001	7-15	47602210001	9-3
47559475002	7-7	47589916201	1-7	47602210002	9-3
47560030001	13-19	47589916202	1-7	47603573001	2-3
47560464001	9-7	47589916203	1-7	47603573002	2-3
47560765001	9-17	47589916204	1-7	47604229001	7-15
47562746001	4-3	47589916205	1-7	47604230001	13-19
47562747002	7-5	47589916206	1-7	47604303001	4-15
47564888021	1-45	47589916207	1-7	47604926001	1-5
47564888022	1-45	47589916208	1-7	47605157001	2-3
47564888023	1-45	47589916209	1-7	47605157003	2-3
47564888024	1-45	47589916210	1-7	47606837001	16-13
47564888025	1-45	47589916301	1-7	47606837002	16-3, 16-5, 16-13
47564888026	1-45	47589916302	1-7	47610134002	9-3
47564888027	1-45	47589916303	1-7	47610135001	9-3
47564888028	1-45	47589916304	1-7	47610136001	9-17
47564888029	1-45	47589916305	1-7	47611209001	10-3
47564889021	1-45	47589916306	1-7	47611210001	10-3
47564889022	1-45	47589916307	1-7	47611483001	8-5
47564889023	1-45	47589917001	1-7	47611484001	8-5
47564889024	1-45	47589918001	1-5	47611648001	8-5
47564889025	1-45	47589919201	1-23	47611868001	7-9
47564889026	1-45	47589919202	1-23	47611869001	7-9
47564889027	1-45	47589919203	1-23	47611870001	7-9
47564889028	1-45	47589919204	1-23	47611876001	9-3
47564890001	8-7	47589919205	1-23	47611877001	9-3
47565234007	4-5	47589919206	1-23	47612314001	16-13
47565234008	4-5	47589919207	1-23	47612314002	16-13
47574837001	4-3	47589919208	1-23	47612315002	16-13
47576196001	6-17	47589919209	1-23	47612316001	16-13
47576649001	6-21	47589919210	1-23	47612316002	16-13
47576650001	6-21	47589919301	1-23	47612317002	16-13
47576651001	6-21	47589919302	1-23	47612318002	16-13
47576652001	6-21	47589919303	1-23	47612352001	9-11
47576652002	6-21	47589919304	1-23	47612535001	7-5
47577864001	6-21	47589919305	1-23	47612537001	7-5
47577865001	6-21	47589919306	1-23	47613414002	4-11
47579096001	6-15, 6-17, 6-19	47589919307	1-23	47613414003	4-9
47580172001	4-3	47589920001	1-37, 1-39, 1-43	47613414005	4-11
47583000001	7-7	47589920002	1-37, 1-39, 1-43	47613414006	4-11
47583296001	3-3	47589922001	1-9	47613414007	4-11
47583296002	3-3	47589922002	1-9	47613414009	4-9
47583297001	3-3	47593000001	1-7	47613526001	1-39
47583297002	3-3	47593001001	4-5	47613526002	1-39
47583665001	6-17	47593001002	4-5	47614573001	3-3
47583666001	6-17	47593002001	4-5	47614573002	3-3
47583790001	7-7	47593002002	4-5	47614573003	3-3

INDEX

47614573004	3-3	47629730001	8-15	47643624002	9-3
47614573005	3-3	47629768001	8-15	47645493001	7-13
47614573006	3-3	47629822001	8-15	47649808001	10-3
47615815001	9-17	47629823001	8-15	47649808002	10-3
47617158001	9-11	47629824001	8-15	47650647001	8-13
47617345001	7-9	47629825001	8-15	47652014001	1-9
47622330001	9-5	47629826001	8-13	47655301001	16-5, 16-13
47622750001	9-3	47629828001	8-13	47655301002	16-13
47622750002	9-3	47629831001	8-13	47655301003	16-13
47623281001	7-11	47629832001	8-13	47655585001	3-5
47623339001	9-5	47629833001	8-13	47655585002	3-5
47623580001	3-3	47629834001	8-13	96704176	4-13
47623580002	3-3	47629835001	8-13	96705199	9-3
47625005001	1-39	47629836001	8-13	96705587	10-3
47629583001	8-21	47629837001	8-13	96741046	8-5
47629585001	8-21	47629838001	8-13		
47629588001	8-21	47629839001	8-13	A	
47629589001	8-21	47629841001	8-13	A-arm, three-piece	6-11
47629677001	8-17	47629843001	8-13	absorber, front shock	6-11
47629680001	8-17	47629844001	8-11	absorber, rear shock	6-15, 6-17, 6-19
47629682001	8-17	47629845001	8-11	AC cord	16-13
47629685001	8-17	47629846001	8-11	accelerator cable	9-13
47629686001	8-17	47629847001	8-11	accelerator pedal	5-9, 5-11, 5-13, 5-15, 7-3
47629687001	8-17	47629848001	8-11	accelerator pedal adjustment tool	17-3
47629688001	8-17	47629851001	8-11	access panel	1-23
47629689001	8-17	47629853001	8-11	adhesive, guide ring	17-3
47629690001	8-17	47629855001	8-11	air cleaner assembly	9-17
47629691001	8-17	47629856001	8-11	air filter	8-3, 9-17
47629693001	8-17	47629857001	9-9	air filter canister evacuation valve	9-17
47629694001	8-17	47629858001	9-9	air intake cover	9-17
47629696001	8-17	47629859001	9-9	air intake hose	9-17
47629697001	8-17	47629860001	9-9	AM1285701	17-5
47629698001	8-17	47629861001	9-9	arbor	17-3
47629699001	8-19	47629862001	9-9	arm	
47629700001	8-19	47629864001	9-9	governor	9-13, 12-9
47629701001	8-19	47629865001	9-9	armature	14-3
47629702001	8-13, 8-19	47629866001	9-9	armrest	1-19
47629703001	8-19	47629867001	9-9	assembly	
47629705001	8-19	47629868001	9-9	brake lever	5-3, 5-5
47629707001	8-19	47629869001	9-9	drive hub	11-5, 11-7
47629709001	8-19	47629870001	9-9	frame and field (motor)	14-3
47629711001	8-15	47629871001	9-9	fuel cap	9-3
47629714001	8-15	47629872001	9-9	moveable-face	11-5, 11-7, 11-9
47629716001	8-15	47629874001	9-9	secondary clutch weight	11-5, 11-7
47629717001	8-15	47629875001	9-11	axle	15-3
47629718001	8-15	47629876001	9-11	axle guard	15-5
47629719001	8-15	47629877001	9-11	axle shaft	12-15
47629720001	8-15	47629878001	9-11	axle shaft oil seal	15-3
47629722001	8-15	47629879001	9-15	axle tube	12-15, 15-3
47629723001	8-15	47629880001	9-15		
47629724001	8-15	47629881001	9-15	B	
47629725001	8-15	47629882001	9-15	backing plate, brake	5-3, 5-5
47629726001	8-15	47638185001	1-39	backrest, beige	1-21, 1-45, 1-51
47629727001	8-15	47638453001	1-39	backrest, black	1-21, 1-45
47629728001	8-15	47640021001	8-13	backrest, gray	1-21, 1-45, 1-55
47629729001	8-15	47640281001	8-3, 8-13		

INDEX

- backrest, white 1-21, 1-45, 1-53
 - bag hoop 1-21
 - bag strap 1-21
 - bag strap buckle 1-21
 - ball bearing 7-7, 12-13, 12-15
 - ball joint, inner 6-9
 - barrel, plastic 1-21, 1-45, 1-49, 1-51, 1-53, 1-55, 5-9, 5-11, 5-13, 5-15, 7-13, 13-11
 - basket 1-39
 - battery
 - 8-volt, GC8 Type E 13-11
 - battery bucket 13-9, 13-11
 - battery charger 16-3, 16-5, 16-7, 16-9, 16-11, 16-15
 - battery charger wire harness
 - onboard 13-17, 16-19, 16-21
 - battery clamp 7-11
 - battery condition indicator, 48-volt 4-9
 - battery cross rod tube 13-9, 13-11
 - battery discharge machine 17-3
 - battery hold-down 13-9, 13-11
 - battery terminal protector spray 17-3
 - battery thermometer 17-3
 - battery, 12-volt, top-post 7-11
 - Battery, JCI 13-9
 - Battery, Trojan, T875 13-9
 - bead, ferrite 13-21
 - bearing 15-3
 - ball 7-7, 12-13, 12-15
 - ball (motor) 14-3
 - inner axle tube 15-3
 - thrust 12-11
 - bearing and oil seal remover 17-3
 - bearing driver set 17-3
 - bearing puller 17-3
 - bearing puller wedge 17-3
 - bellows, steering 6-9
 - belt, drive 11-3
 - body
 - under 1-13, 1-23
 - body kick plate 1-15
 - body kick plate (ele) 1-17
 - bolt
 - battery, "S" hold-down 13-9, 13-11
 - bolt, U- 1-51, 1-53, 1-55
 - boot, switch 4-17, 7-13, 13-7
 - bottle, sand 1-29
 - Bracket 7-13
 - bracket
 - accel.cable 9-13, 12-7
 - canopy support 1-37, 1-39
 - clamshell 1-13
 - equalizer 5-7
 - FNR cable 9-13, 12-7
 - governor 9-13, 12-9
 - jounce bumper 1-51, 1-53, 1-55, 6-19
 - seat support 1-45
 - shock mounting, drv 6-15, 6-19
 - shock mounting, pas 6-15, 6-19
 - snubber 8-7
 - Bracket, Fuel 9-3
 - brake adjusting mechanism 5-3, 5-5
 - brake backing plate 5-3, 5-5
 - brake cable 5-7
 - brake cluster 5-3, 5-5
 - brake drum 5-3, 5-5
 - brake lever 5-3, 5-5
 - brake pedal 5-9, 5-11, 5-13, 5-15
 - brake rod 5-9, 5-11, 5-13, 5-15
 - brake self-adjusting mechanism 5-3, 5-5
 - brake shoe 5-3, 5-5
 - brake spring 5-3, 5-5
 - breather 12-11, 15-3
 - brow cap 1-7
 - brush 14-3
 - brush box assembly 14-3
 - brush rigging 14-3
 - brush spring 14-3
 - bucket, battery 13-9, 13-11
 - bucket, sand 1-31
 - buckle, bag strap 1-21
 - bumper 1-47
 - drive unit (motor) 14-3
 - jounce 1-51, 1-53, 1-55, 6-17, 6-19
 - rubber 1-25
 - Bumper, Shock Plug 1-5
 - bushing 6-11, 6-13, 6-21, 11-5, 11-7, 12-3
 - urethane 6-15, 6-17, 6-19
 - button, drive 11-9
 - buzzer, reverse 4-9, 4-11
- ## C
- cable
 - accelerator 9-13
 - brake 5-7
 - FNR shifter 12-5
 - calibration test module 17-3
 - cam
 - driven clutch 11-9
 - cam, neutral lockout 12-3
 - canister, carbon, fuel tank 9-7
 - canopy 1-35
 - canopy drain cover 1-35
 - canopy handle 1-35
 - canopy strut, front, lh 1-37, 1-39, 1-43
 - canopy strut, front, rh 1-37, 1-39, 1-43
 - canopy support 1-37, 1-39
 - canopy support bracket, drv 1-21
 - canopy support bracket, pas 1-21
 - Cap 2-3
 - cap
 - dust 4-9
 - front hub 6-13
 - fuel, gas, ratchet 9-3
 - key switch 4-9, 4-11
 - rubber 12-17
 - cap, hub, 7 prong 2-3
 - cap, SAM 1-9
 - carbon canister 9-7
 - card, safety first 17-5
 - case
 - gear 15-3
 - transaxle 12-11
 - CE mark battery bucket plug kit 13-11
 - CE mark decal 13-11
 - CE mark ferrite bead, Fair-rite 13-21
 - CE mark ferrite bead, TDK 13-21
 - center shaft 12-13
 - charger bezel tool 17-3
 - charger receptacle 13-5, 13-17
 - charger, battery, Hi-Freq 16-3, 16-5, 16-7, 16-9, 16-11, 16-15
 - clamp
 - battery 7-11
 - hose 9-7, 9-17
 - leaf spring 6-13
 - p- (fuel filter) 9-3, 9-13
 - clamshell bracket 1-13
 - clip 4-3
 - body trim 1-13, 1-23
 - meter 4-11
 - clip, score card 6-3, 6-5
 - cluster, brake 5-3, 5-5
 - clutch
 - pin 12-13
 - clutch cam installation tool 17-3
 - clutch repair kit 11-9
 - clutch tool kit 17-3
 - clutch weight 11-5, 11-7
 - clutch, drive 11-5, 11-7
 - collar 12-13
 - comfort grip steering wheel 6-3
 - comfort grip steering wheel kit 6-3
 - component mounting plate 13-17
 - compression gauge 17-5
 - compressor, piston ring 17-5
 - compressor, valve spring 17-7
 - continuity tester 17-5
 - controller shield 13-17
 - controller, motor speed
 - Excel w/Hi-Freq 13-17
 - conversion kit, 4 pass, beige 1-51
 - conversion kit, 4 pass, gray 1-55
 - conversion kit, 4 pass, white 1-53
 - cord reel 16-15, 16-17, 16-19, 16-21
 - cord set, DC 16-3, 16-7, 16-9, 16-11, 16-13
 - cord, AC 16-13
 - cord, DC 16-15, 16-19

INDEX

counter shaft 12-13
cover
 air intake 9-17
 canopy drain 1-35
 DC terminal block 16-3, 16-5, 16-7, 16-9,
 16-11, 16-15, 16-17, 16-19, 16-21
 dust 5-3, 5-5
 USB 16-3, 16-5, 16-7, 16-9, 16-11, 16-15,
 16-17, 16-19, 16-21
cover plate 14-3
cover, steering column 4-3, 4-7
cushion, shock absorber 6-15, 6-17, 6-19

D

dash 1-11
dash support assembly 1-3, 6-11
DC cord 16-15, 16-19
DC cord set 16-3, 16-7, 16-9, 16-11, 16-13
decal 3-5
 box bed warning 1-47, 3-3
 CE mark 13-11
 crush area warning 1-47, 3-3
 filter log 13-15
 four-passenger warning 1-51, 1-53, 1-55,
 3-3
 frame ground warning 3-5
 inspect log 13-15
 maintenance/operate switch 3-5, 7-13
 operating instructions 3-5, 6-3, 6-5
 private speed mode 3-3
 rollover warning 3-3
 rotating parts 3-5
 Run/Tow warning 3-5
 warning 3-5
 warning, Run/Tow 3-5
 water exposure 3-3, 3-5
Decal, Batteries, Charger 3-5
Decal, Batteries, Trojan, Cord 3-5
deionizer 13-15
 cartridge 13-15
differential 12-15
 open 12-15
differential drive unit 15-3
differential gear 15-3
differential gear set 12-15
differential guard 15-5
differential housing 15-3
differential shaft 12-15
drain channel 1-11
drain plug 1-25, 12-11
drive belt 11-3
drive button 11-9
drive clutch 11-5, 11-7
drive clutch button 11-5, 11-7
drive clutch holder tool 17-3
drive clutch hub puller 17-3

drive clutch puller 17-3
drive clutch spring 11-5, 11-7
drive clutch weight 11-5, 11-7
drive hub 11-5, 11-7
drive unit bumper 14-3
drive unit guard 15-5
driven clutch button 11-9
driven clutch cam 11-9
driven clutch cam puller 17-3
driven clutch puller plug 17-3
driver, drive clutch 11-5, 11-7
drum, brake 5-3, 5-5
dry moly lubricant 17-5
dual snubber 8-7
dust cap 4-9
dust cover 5-3, 5-5
dust seal 6-9

E

end cap, motor 14-3
end, tie rod 6-9
engine
 air cleaner 9-17
 air filter 8-3, 9-17
 air intake hose 9-17
equalizer 5-7
Exhaust 10-3

F

face, moveable 11-9
ferrite bead (CE), Fair-rite 13-21
ferrite bead (CE), TDK 13-21
filter
 air 8-3, 9-17
floor cover plate 5-9, 5-11, 5-13, 5-15
floor mat 1-13
floor mat, 4 pass, rear 1-49, 1-51, 1-53, 1-55
FNR handle 12-3
FNR housing 13-7
FNR shift lever 12-7
FNR shifter base 12-3
FNR shifter cable 12-5
foot deck 1-49, 1-51, 1-53, 1-55
frame and field assembly (motor) 14-3
front hub 6-13
front suspension structure 6-11
Fuel Module, Hold-Down Ring 9-5
fuse
 10-amp 7-5
 15-amp 13-5
 2-amp 7-5, 13-5
 30-amp 13-5, 13-17, 16-19, 16-21
 5-amp 7-5
fuse, mini, 7.5A 7-5
fuse, mini, 10A 7-5

G

gas pedal assembly, anodized 5-11, 5-13
gas pedal assembly, anodized triac 5-9
gasket 12-11
 air intake 9-17
 liquid 15-3, 17-5
 plug 15-3
 seat 1-19
gauge, compression 17-5
gear
 17 tooth 12-13
 34 tooth 12-13
 52 tooth 12-13
 60 tooth 12-15
 62 tooth 12-13
 differential 15-3
 differential idler 15-3
 differential output 15-3
 governor 12-11
 governor, 34 tooth 12-13
 set, differential 12-15
gear yoke 17-5
gearcase 15-3
governor arm 9-13, 12-9
governor gear shaft 12-11
governor shaft 12-11
grip, pencil 6-3, 6-5
guard, differential 15-5
guide pin 12-11
guide ring adhesive 17-3

H

hand rail 1-49, 1-51, 1-53, 1-55
handle, canopy 1-35
handle, FNR 12-3
Harness 16-5, 16-13
harness
 instrument panel lighting 4-3
 Visage strut 4-17
Harness, Chgr 16-17, 16-21
harness, instrument panel 4-9
harness, wire 4-7, 13-5
harness, wire, onboard battery charger 13-17,
 16-19, 16-21
hinge 13-9, 13-11
 seat bottom 1-19
hinge, seat bottom 1-19
hip restraint 1-19
hip restraint, 4 pass 1-45, 1-51, 1-53, 1-55
hold-down, battery 13-9, 13-11
hoop, bag 1-21
horn 4-7
hose
 air intake 9-17
 SPWS 13-13

INDEX

vent 9-7
Hose, Intake 9-17
housing
 3-pin 14-3
 differential 15-3
hub 6-13, 12-17
hub cap 2-3, 6-13
hub cap, 7 prong 2-3
hub, front 6-13
hydrometer 17-5

I

idler gear, differential 15-3
indicator, charger 4-9
inner ball joint 6-9
inner frame snubber 8-7
input shaft 12-13, 15-3
instrument panel harness 4-9
Insulation 1-9
intake cover 9-17
intermediate shaft 15-3
internal retaining ring pliers 17-5
isolator, shock damper 6-15, 6-17, 6-19

J

J-clip 1-3, 1-49, 6-15, 6-19
jounce bumper 1-51, 1-53, 1-55, 6-17, 6-19
jounce bumper bracket 1-51, 1-53, 1-55, 6-19

K

key
 driven clutch 11-9
 On/Off 4-9, 4-11
 square 11-9
key switch 4-9, 4-11
key switch cap 4-9, 4-11
kick plate 1-15
kick plate (ele) 1-17
king pin 6-13
kit
 3-pin housing 14-3
 4 pass conversion, beige 1-51
 4 pass conversion, gray 1-55
 4 pass conversion, white 1-53
 ball joint, inner 6-9
 bellows, steering, sona 6-9
 brake cable 5-7
 brake shoe retainer 5-3, 5-5
 CE battery bucket plug 13-11
 clutch repair 11-9
 comfort grip steering wheel 6-3
 drive clutch button 11-5, 11-7
 drive clutch weight 11-5, 11-7
 driven clutch button 11-9
 front hub replacement 6-13

hand pump, SPWS 13-15
hub cap 2-3
motor brush 14-3
motor brush spring 14-3
motor cover plate 14-3
motor speed sensor 14-3
motor terminal hardware 14-3
relay, 48V 4-3
SAM assembly 1-21
seat bottom 1-19
shock absorber 6-15, 6-19
shock absorber cushion 6-15, 6-19
shoe retainer 5-3, 5-5
windshield 1-33
Kit, Strut 1-43
knob, light switch 4-11

L

leaf spring, rear 6-15, 6-17, 6-19
leaf spring, rear, 4-pass 1-51, 1-53, 1-55
lever
 transaxle shift 12-7
light
 oil 4-11
 tail 4-19
 water quality 13-15
light switch 4-11
light switch knob 4-11
limit switch 7-17, 12-3
liquid gasket 15-3, 17-5
low oil warning light 4-11
lubricant, dry moly 17-5
lubricant, moly-teflon 14-3, 17-5
lug nut 2-3
lug stud 6-13, 12-17, 15-3

M

magnet, speed sensor 14-3
mat, floor 1-13
MCOR 5-15, 13-3
mechanism, brake adjusting 5-3, 5-5
meter clip 4-11
meter, volt ohm 17-7
mirror 1-57
module
 calibration test 17-3
moly-teflon lubricant 17-5
motor
 48-volt IQ 14-3
 motor brush kit 14-3
 motor brush spring kit 14-3
 motor bumper 14-3
 motor end cap 14-3
 motor magnet, speed sensor 14-3
 motor speed controller

Excel w/Hi-Freq 13-17
motor speed sensor 14-3
motor speed sensor kit 14-3
motor terminal hardware kit 14-3
motor wire harness 13-5
mounting plate, component 13-17
moveable-face 11-5, 11-7, 11-9

N

neutral lockout cam 12-3
nut, lug 2-3

O

oil seal 12-11
oil warning light, low 4-11
O-Ring, Fuel Module 9-5

P

paint, underbody (black) 17-5
panel
 access 1-23
 SAM 1-21
panhard 6-21
park brake release, anod 5-9, 5-11, 5-13, 5-15, 7-3
p-clamp (fuel filter) 9-3, 9-13
pedal assembly, gas, anodized 5-11, 5-13
pedal assembly, gas, anodized triac 5-9
pedal, accelerator 5-9, 5-11, 5-13, 5-15, 7-3
pedal, brake 5-9, 5-11, 5-13, 5-15
pencil grip 6-3, 6-5
pin
 bow tie locking 5-7
 clevis 5-7
 differential 12-15
 guide 12-11
 input shaft 12-13
 king 6-13
piston ring compressor 17-5
piston ring pliers 17-5
plate
 backing (brake) 5-3, 5-5
 component mounting 13-17
 cover 14-3
 floor cover 5-9, 5-11, 5-13, 5-15
 kick 1-15
 kick(ele) 1-17
pliers
 internal retaining ring 17-5
 piston ring 17-5
 retaining ring 17-5
plug
 drain 12-11
 driven clutch puller 17-3
plug, drain 1-25

INDEX

protector spray, battery terminal 17-3
puller

- bearing 17-3
- drive clutch 17-3
- drive clutch hub 17-3
- driven clutch cam 17-3
- seal 17-5

R

rack and pinion 6-9
rear underbody support 1-21
receptacle 13-5, 13-17
reel cord 16-15, 16-17, 16-19, 16-21
reflector 3-3
refractometer 17-5
regulator, voltage 7-11
relay 4-3
relay, 12-volt 4-11
relay, 48V 4-3
release, anod park brake 5-9, 5-11, 5-13, 5-15, 7-3
remover, bearing and oil seal 17-3
resistor assembly 13-17
restraint, hip, 4 pass 1-45, 1-51, 1-53, 1-55
retainer

- brake shoe 5-3, 5-5
- shock absorber cushion 6-15, 6-17, 6-19

retaining ring pliers 17-5
reverse buzzer 4-9, 4-11
Rim 2-3
rim (wheel) 2-3
ring

- retaining 11-5, 11-7, 11-9, 12-3, 12-11, 12-17
- spiral backup 11-5, 11-7

Rivet, Removable 1-23
rock guard 15-5
rocker switch 13-7
rod

- brake 5-9, 5-11, 5-13, 5-15

rubber bumper 1-25

S

safety first card 17-5
SAM (structural accessory module) 1-21
SAM assembly kit 1-21
SAM cap 1-9
SAM panel 1-21
sand bottle 1-29
sand bucket 1-31
sand scoop 1-31
scoop, sand 1-31
score card clip 6-3, 6-5
score card plate 6-3, 6-5
seal

- dust 6-9

lip 15-3
oil 12-11, 15-3
seal puller 17-5
sealant 15-3
seat back, beige 1-21, 1-45, 1-51
seat back, black 1-21, 1-45
seat back, gray 1-21, 1-45, 1-55
seat back, white 1-21, 1-45, 1-53
seat bottom kit 1-19
seat bracket 1-45, 1-51, 1-53, 1-55
seat gasket 1-19
seat hinge 1-19
seat support bracket 1-45
seat support weldment 1-45
select shaft 12-11
sensor, motor speed 14-3
Sensor, Temperature 8-13
shaft

- axle 12-15
- center 12-13
- counter 12-13
- differential 12-15
- governor 12-11
- governor gear 12-11
- input 12-13, 15-3
- intermediate 15-3
- select 12-11
- shift 12-13

shield, charger 16-19, 16-21
shield, controller 13-17
shield, debris aux 5-9, 5-11, 5-13, 5-15
shield, debris primary 5-9, 5-11, 5-13, 5-15
shift lever 12-7
shift shaft 12-13
shock absorber (front) 6-11
shock absorber (rear) 6-15, 6-17, 6-19
shock absorber cushion 6-15, 6-17, 6-19
shock absorber cushion retainer 6-15, 6-17, 6-19
shock damper isolator 6-15, 6-17, 6-19
shock mounting bracket, drv 6-15, 6-19
shock mounting bracket, pas 6-15, 6-19
shoe retainer kit 5-3, 5-5
shoe, brake 5-3, 5-5
sleeve 6-11, 6-13, 6-15, 6-17, 6-19, 6-21, 12-11
snubber bracket 8-7
snubber housing 8-9
snubber, dual 8-7
snubber, inner frame 8-7
solenoid, 12-volt 7-11
spacer 12-11, 12-13
speed controller

- Excel w/Hi-Freq 13-17

speed sensor 14-3
speed sensor magnet 14-3
speed sensor, motor 14-3

spindle 6-13
spiral backup ring 11-5, 11-7
spray, battery terminal protector 17-3
spring 12-11

- brake 5-3, 5-5
- brush 14-3
- compression 6-3, 6-5
- drive button 11-5, 11-7
- drive clutch 11-5, 11-7
- forward/reverse cam 12-3

spring, leaf, rear 6-15, 6-17
spring, leaf, rear, 4-pass 1-51, 1-53, 1-55, 6-19
SPWS hose 13-13
steering column bearing press tool 17-7
steering column cover 4-3, 4-7
steering column retaining ring tool 17-7
steering wheel 6-3, 6-5
steering wheel (comfort grip) kit 6-3
steering wheel puller tool 17-7
stem, valve 2-3
strap, bag 1-21
strut, angle, tie 1-45, 1-51, 1-53, 1-55
strut, front canopy, lh 1-37, 1-39, 1-43
strut, front canopy, rh 1-37, 1-39, 1-43
stud

- lug 6-13, 12-17, 15-3

support, canopy 1-37, 1-39
support, underbody, rear 1-21
suspension, front structure 6-11
switch

- key 4-9, 4-11
- light 4-11
- limit 7-17, 12-3
- rocker 13-7
- Tow/Run 4-17, 13-7
- turn signal 4-3

switch rubber boot 4-17, 7-13, 13-7
switch, toggle 7-13

T

12-volt solenoid 7-11
taillight 4-19
tester, continuity 17-5
thermometer, battery 17-3
three-piece A-arm 6-11
throttle, gas, Gen2, triac, sensor 5-9, 7-3
throttle, Gen2, no sensor 5-11, 5-13, 5-15
tie rod end 6-9
tie wrap 6-9, 12-5, 13-5, 13-21, 16-15, 16-17
tire 2-3
tire, pro tour, 205-50 x 10 2-3
toggle switch 7-13
tool

- accelerator pedal adjustment 17-3
- belt tensioning, starter/generator 17-7
- charger bezel 17-3

INDEX

clutch cam installation 17-3
drive clutch holder 17-3
steering column bearing press 17-7
steering column retaining ring 17-7
steering wheel puller 17-7
transaxle axle seal 17-7
transaxle pinion seal 17-7
transmission 17-7
tool kit, clutch 17-3
touch-up paint 17-5
Tow/Run switch 4-17, 13-7
transaxle (Electric Vehicle) 15-3
transaxle axle seal tool 17-7
transaxle guard 15-5
transaxle pinion seal tool 17-7
transaxle, open-diff (Gas Vehicle) 12-11
transmission tool 17-7
tube
 axle 12-15, 15-3
 battery cross rod 13-9, 13-11
Tuflok 1-23
turn signal switch 4-3

U

U-bolt 1-51, 1-53, 1-55, 6-15, 6-17, 6-19
underbody 1-13
underbody support, rear 1-21
underbody, rear 1-23
urethane bushing 6-15, 6-17, 6-19
USB
 cover 16-3, 16-5, 16-7, 16-9, 16-11, 16-15,
 16-17, 16-19, 16-21
 port 13-19
USB cover 16-3, 16-5, 16-7, 16-9, 16-11, 16-15,
 16-17, 16-19, 16-21
USB port 13-19

V

valve spring compressor 17-7
valve stem 2-3
vent
 transaxle 12-11
vent, barb 9-7
volt ohm meter 17-7
voltage regulator 7-11

W

warning light, low oil 4-11
water quality light 13-15
wedge, bearing puller 17-3
weight
 clutch 11-5, 11-7
 secondary clutch 11-5, 11-7
weldment
 governor bracket 9-13, 12-9

Wheel 2-3
wheel 2-3
 steering 6-3, 6-5
windshield 1-33
windshield channel 1-33
wire
 green, starter/generator 7-7
 ground, fuel tank 9-3
wire harness 4-7, 13-5
wire harness, Excel w/Hi-Freq, MCOR3 13-5
wire harness, onboard battery charger 13-17,
 16-19, 16-21
wrap, tie 6-9, 12-5, 13-5, 13-21, 16-15, 16-17

Y

yoke, gear 17-5



Club Car, Inc.
P.O. Box 204658
Augusta, GA 30917-4658
USA

Web www.clubcar.com
Phone 1.706.863.3000
1.800.ClubCar
Int'l +1 706.863.3000
Fax 1.706.863.5808