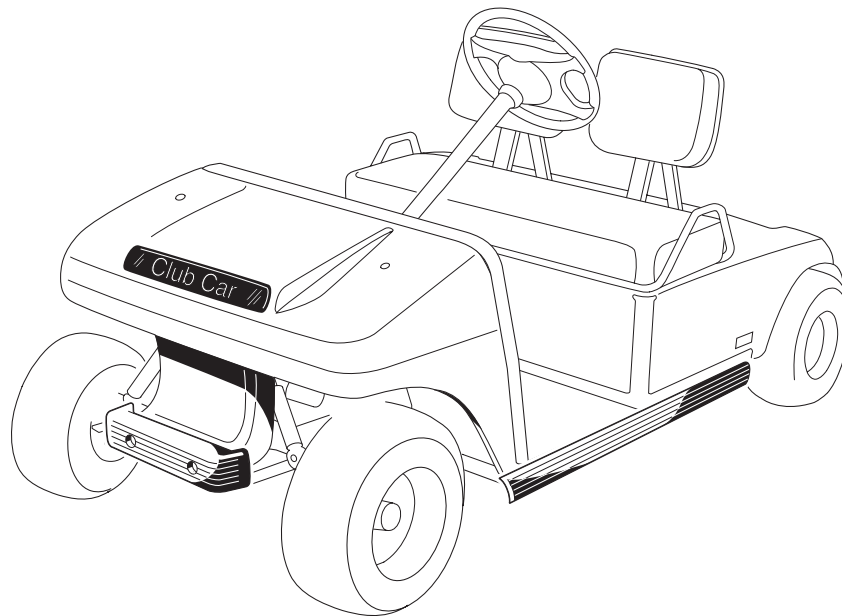


**1993  
DS Golf Car  
Illustrated Parts List**



**Gasoline and Electric Vehicles**

Manual Number 101710702  
Edition Code 0892B1008A



# USING THE ILLUSTRATED PARTS LIST

---

## **⚠ WARNING**

- **This manual is to be used only for identification and ordering of service parts. Be sure to read and use the maintenance and service manual before attempting any vehicle repairs.**

Use the Table of Contents to find the sections and pages that contain the parts and assemblies you seek. The Table of Contents lists section numbers, and under them, the individual page titles and numbers to be found in that section. The index can be used to find specific parts and assemblies. The index is divided into numerical and alphabetical listings with the page numbers in italic text.

There is a two-page spread for each individual page title in the Table of Contents. On the left-hand page is an illustration showing the parts in their relative positions; the parts are each tagged with an item number in a balloon. The right-hand page is the parts list page, and gives the page title at the top, then the item numbers (corresponding to the numbers on the illustration), part descriptions, and quantity of parts used.

Note that a part description may be indented. This indentation corresponds to a parts assembly level indicated by the numbers 1, 2, 3, and 4 at the top left corner of the parts description area of the parts list page. A part that is indented to *level 2* is a component of the *level 1* part (assembly) that it is listed under. A *level 3* part is a component of the *level 2* part that it is listed under, and a *level 4* part is a component of the *level 3* part preceding it. In each case, the part quantity given for a level 2, 3, or 4 part *is the quantity used per next higher level assembly of which it is a component*. A part that is not indented is a *level 1* part. This means that the quantity given is the quantity used per the portion of the vehicle illustrated on that particular spread.

## HOW TO ORDER PARTS

Replacement parts and accessories can be obtained from our network of authorized dealers and distributors. You can obtain the name and phone number of your closest authorized Club Car dealer or distributor by visiting our web site at [www.clubcar.com](http://www.clubcar.com) and clicking on the "*Distributor Search*" link or by calling our toll-free Service Parts and Technical Assistance hotline at (800) 872-2246 or (706) 863-3000, extension 3887.

Copyright © 1992, 2008 Club Car, Inc.  
*Club Car and Carryall* are registered  
trademarks of Club Car, Inc



P. O. Box 204658  
Augusta, Georgia 30917-4658 USA  
Telephone 706-863-3000  
Service Parts Fax 706-855-7413  
[www.clubcar.com](http://www.clubcar.com)



# CONTENTS

## INDEX

### MAINTENANCE AND SERVICE TOOLS

#### BODY AND TRIM

#### SECTION 1

Body and Trim .....	1-2
Covers — Front .....	1-4
Covers — Rear .....	1-6
Seat Back and Bag Hoop .....	1-8
Seat Bottom and Armrest .....	1-10

#### DRIVE UNIT

#### SECTION 2

Drive Unit .....	2-2
------------------	-----

#### BRAKES, PEDAL AND CABLE ASSEMBLY

#### SECTION 3

Brake Cluster, Right and Left Hand .....	3-2
Brake Pedal and Cable Assembly .....	3-4
Accelerator Pedal Assembly .....	3-6

#### STEERING AND FRONT SUSPENSION

#### SECTION 4

Steering Column — Aluminum .....	4-2
Steering Assembly .....	4-4
Front Suspension Assembly — Delta A-Plate .....	4-6

#### ELECTRICAL AND BATTERY

#### SECTION 5

Wiring — Gas Vehicle .....	5-2
Electrical Component Box .....	5-4
Starter Generator — Mounting .....	5-6
Starter Generator Assembly .....	5-7
F&R Shifter Assembly .....	5-8
Reverse Buzzer .....	5-10
Battery .....	5-11

#### ENGINE

#### SECTION 6

Engine .....	6-2 — 6-12
--------------	------------

#### FUEL AND INTAKE SYSTEM

#### SECTION 7

Fuel System Assembly .....	7-2
Carburetor Assembly .....	7-4
Governor Guard and Intake Hose .....	7-6
Expansion Chamber, Choke and Filter .....	7-8
Governor and Accelerator Cables .....	7-10

#### EXHAUST SYSTEM

#### SECTION 8

Exhaust System .....	8-2
----------------------	-----

#### TORQUE CONVERTER

#### SECTION 9

Drive Clutch Assembly .....	9-2
Driven Clutch Assembly .....	9-4

#### TRANSMISSION AND GOVERNOR

#### SECTION 10

Transmission and Governor Assembly .....	10-2
--	------

#### REAR SUSPENSION — GAS VEHICLE

#### SECTION 11

Rear Suspension Assembly .....	11-2
Inner Frame Assembly .....	11-4

#### ELECTRICAL — ELECTRIC VEHICLE

#### SECTION 12

Power Wiring — Electric Vehicle .....	12-2
V-Glide Wiper Switch .....	12-4
Resistor and Board Assembly — V-Glide .....	12-6
Forward and Reverse Switch Assembly .....	12-8
Power Wiring — Solid State Controller .....	12-10
Forward and Reverse Switch — Solid State Controller .....	12-12
V-Glide Wiper Switch — Solid State Controller .....	12-14
Reverse Buzzer .....	12-16

#### CHARGERS

#### SECTION 13

Model 13800 Accu-Power .....	13-2
Model 14000 Ultra-Power .....	13-4

#### MOTOR

#### SECTION 14

CLUB CAR Model #1012191 and #1014678 .....	14-2
--	------

#### REAR SUSPENSION ASSEMBLY — ELECTRIC VEHICLE

#### SECTION 15





Rear Suspension Assembly — Electric Vehicle .....	15-2
---	------



# INDEX

GAS		G
-----	---	---

ELECTRIC		E
----------	---	---

BODY AND TRIM — FRONT AND REAR COVERS		1
DRIVE UNIT		2
BRAKES, PEDAL AND CABLE ASSEMBLY		3
STEERING AND FRONT SUSPENSION		4












# INDEX

GAS



G

<b>ELECTRICAL AND BATTERY</b>		<b>5</b>
<b>ENGINE</b>		<b>6</b>
<b>FUEL, INTAKE AND GOVERNOR SYSTEM</b>		<b>7</b>
<b>EXHAUST SYSTEM</b>		<b>8</b>
<b>TORQUE CONVERTER</b>		<b>9</b>
<b>TRANSMISSION AND GOVERNOR</b>		<b>10</b>
<b>REAR SUSPENSION</b>		<b>11</b>







# INDEX

**ELECTRIC**



**E**

<b>ELECTRICAL</b>		<b>12</b>
<b>BATTERY CHARGER</b>		<b>13</b>
<b>MOTOR</b>		<b>14</b>
<b>REAR SUSPENSION</b>		<b>15</b>



# MAINTENANCE SERVICE TOOLS

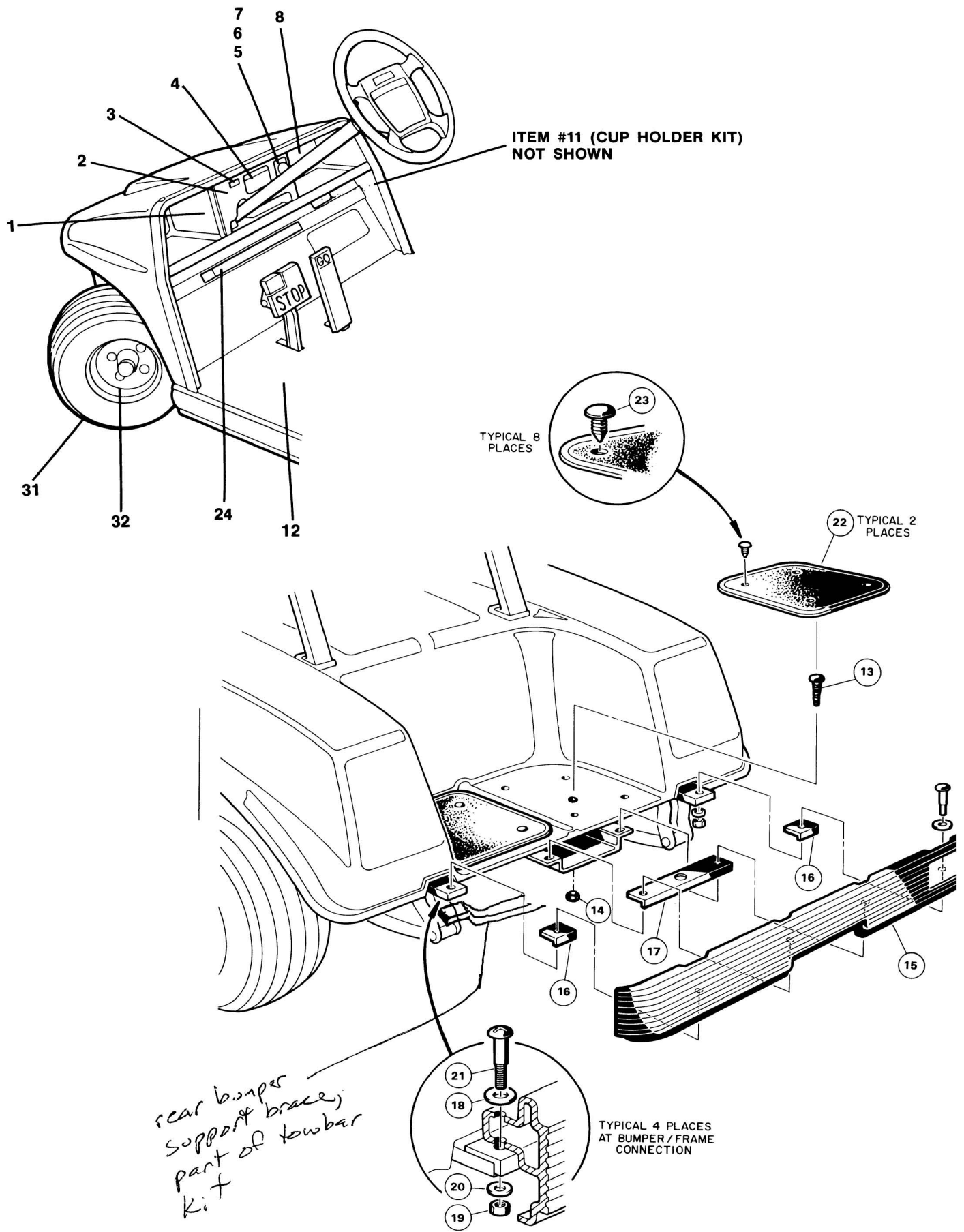
DESCRIPTION	PART NO.
Internal Retaining Pliers .....	1013593
Brake Adjusting Tool .....	1013582
Volt Ohm Meter .....	1011480
Continuity Tester .....	1011273
Retaining Ring Pliers (45° External) .....	1012549
Retaining Ring Pliers (90° Internal) .....	1012560
Keyswitch Tool .....	1012801
Seal Puller .....	1012809
Bearing Puller .....	1012811
Bearing Puller Wedge Attachment .....	1012812
Tachometer .....	1016112
Drive Clutch Puller .....	1014496
Clutch Alignment Tool .....	1014498
Touch-Up Paint - Enamel Beige .....	1017096-01
Touch-Up Paint - Enamel White .....	1017096-02
Touch-Up Paint - Enamel Non-Standard .....	1017096-03
Touch-Up Paint - Enamel Gray .....	1017096-04
Touch-Up Paint - Enamel Green .....	1017096-05
Touch-Up Paint - Enamel Red .....	1017096-06
Touch-Up Paint - Enamel Light Blue .....	1017096-07
Touch-Up Paint - Lacquer Beige .....	1017097-01
Touch-Up Paint - Lacquer White .....	1017097-02
Touch-Up Paint - Lacquer Non-Standard .....	1017097-03
Touch-Up Paint - Lacquer Gray .....	1017097-04
Touch-Up Paint - Lacquer Green .....	1017097-05
Touch-Up Paint - Lacquer Red .....	1017097-06
Touch-Up Paint - Lacquer Light Blue .....	1017097-07
Transmission Tool Kit .....	1014115
Drive Unit Pinion Seal Tool .....	1014161
Drive Unit Axle Seal Tool .....	1014162
Steering Column Bearing Press Tool .....	1014264
Steering Column Retaining Ring Tool .....	1014259
Battery Terminal Protector .....	1014305
Dry Moly Lubricant .....	1012151
Flexible Cowl Repair Kit .....	1014963
Hydrometer .....	1011478
Battery Tester (Discharge Machine) .....	1010687
Battery Thermometer .....	1011767
Fly Wheel Puller Kit .....	1016627
Valve Seat Cutter Holder Bar .....	1016551
Valve Seat Cutter Holder .....	1016552
Valve Seat Cutter 45° (32mm Diameter) .....	1016553
Valve Seat Cutter 45° (35mm Diameter) .....	1016554
Valve Seat Cutter 32° (35mm Diameter) .....	1016555
Clutch Tool Kit .....	1014510
Spring Tune-Up Kit (OHV Engine) .....	1016110-02
Compression Gauge .....	1016410-01
Adapter .....	1016410-02
Valve Spring Compressor .....	1016411-01
Adapter .....	1016411-02
Valve Guide Reamer .....	1016412-01
Arbor .....	1016412-02
Valve Clearance Adjuster Screw Holder .....	1016413
Piston Ring Compressor Kit .....	1016414
Piston Ring Plier .....	1016415
Bearing Driver Set .....	1016416
Bearing and Oil Seal Remover Assembly .....	1016417
Gear Yoke .....	1016418
Generator Belt Tension Tool .....	1016867
Muffler Spring Tool .....	1016712

Please refer to the Maintenance and Service Manual for proper tool application.



## **Section 1**

# **BODY AND TRIM FRONT AND REAR COVERS**



**BODY AND TRIM**

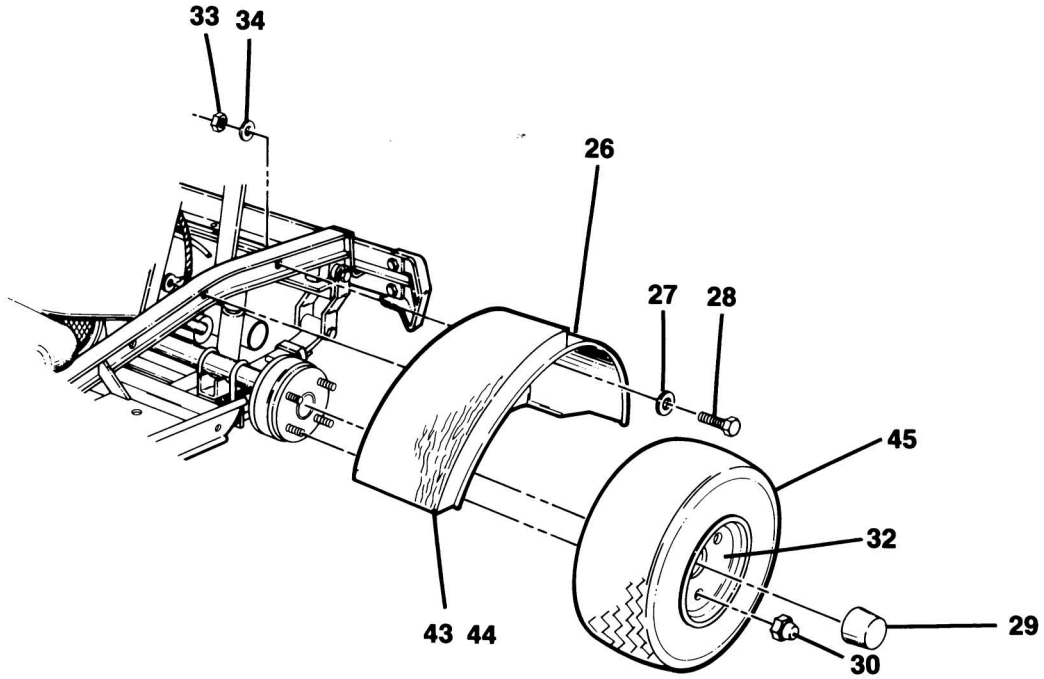


**BODY AND TRIM**

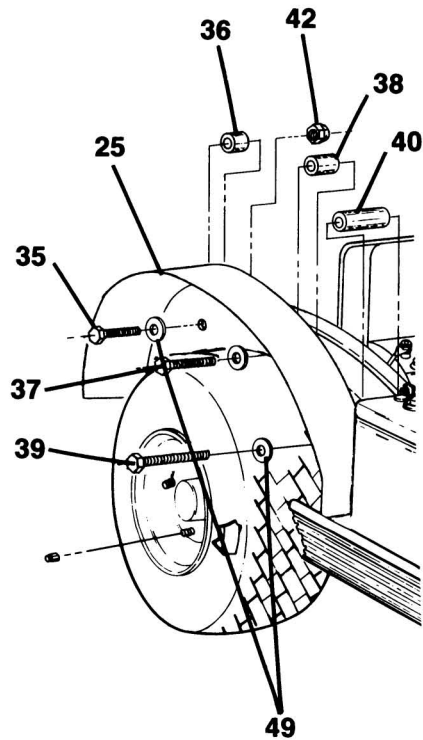
ITEM NUMBER	PART NUMBER	1 2 3 4	DESCRIPTION	UNITS PER VEHICLE	
				GAS	ELECTRIC
1	1013980		DASH COMPONENT, LEFT (TAN)	1	1
1	1013344		DASH COMPONENT, LEFT (BLACK)	1	1
2	1016604-01		CENTER DASH PANEL (TAN)		1
2	1016620-01		CENTER DASH PANEL WITH OIL LIGHT OPENING (TAN)	1	
2	1016604-02		CENTER DASH PANEL (BLACK)		1
2	1016620-02		CENTER DASH PANEL WITH OIL LIGHT OPENING (BLACK)	1	
2	1016620-03		CENTER DASH PANEL WITH OIL LIGHT AND FUEL GAUGE (BLACK)	1	
3	1016630		OIL LIGHT	1	
4	1013390		DECAL, GOLF ETIQUETTE	1	1
5	1012415		SWITCH, KEY (INCLUDES 2 KEYS) 12 VOLT	1	
5	1012531		SWITCH, KEY (INCLUDES 2 KEYS) 36 VOLT		1
6	1012505		KEY	PAIR	
7	1012530		DECAL, ON/OFF	1	1
8	1013979		DASH COMPONENT, RIGHT (TAN)	1	1
8	1013343		DASH COMPONENT, RIGHT (BLACK)	1	1
9	7848		SCREW - 1/4"-14 X 3/4" HEX HEAD CAP SCREW	6	6
10	1016952		1/4-20 U-NUT	2	2
11	1017083-01		CUP HOLDER KIT INCLUDES ITEMS 9 AND 10	2	2
12	1015032		MAT, FLOOR	1	1
13	8251		SCREW, PHILLIPS TRUSS HEAD, 1/4-20	2	2
14	8233		LOCKNUT, NYLON, 1/4-20	2	2
15	1016379		REAR BUMPER	1	1
16	1016874		MOUNTING PLATE — SHORT	2	2
17	1016875		MOUNTING PLATE — LONG	2	2
18	1017042		3/8 FLATWASHER (BLACK)	4	4
19	8986		LOCKNUT, 5/16-18 DIMPLED	4	4
20	1241		FLATWASHER, 5/16	4	4
21	1016876		3/8 X .98 PHILLIPS TRUSS HEAD SHOULDER BOLT	4	4
22	1014392		MAT, BAG WELL	2	2
23	1010434		FASTENER, PLASTIC BARREL	8	8
24	1014883		DASH WARNING DECAL	1	1
25	1017073		FENDER, INNER — RIGHT	1	1
26	1016968		FENDER, INNER — LEFT	1	1
27	332		FLATWASHER, 1/4"	6	
28	304		BOLT, 1/4-20 X 1" HEX	6	
29	1012186		SEAL, DUST	2	2
30	1010984		NUT, LUG 1/2-20	16	16
31	1015705-01		TIRE AND WHEEL ASSEMBLY, BEIGE (STANDARD RIB)	4	4
31	1015705-02		TIRE AND WHEEL ASSEMBLY, BEIGE (POWER RIB)	4	4
31	1015705-03		TIRE AND WHEEL ASSEMBLY, BEIGE (X-TRA TRAC TERRA)	4	4
31	1015705-04		TIRE AND WHEEL ASSEMBLY, BEIGE (WHITE WALL POWER RIB)	4	4
31	1015705-05		TIRE AND WHEEL ASSEMBLY, BEIGE (TERRAGARD)	4	4
31	1016514-01		TIRE AND WHEEL ASSEMBLY, WHITE (STANDARD RIB)	4	4
31	1016514-02		TIRE AND WHEEL ASSEMBLY, WHITE (POWER RIB)	4	4
31	1016514-03		TIRE AND WHEEL ASSEMBLY, WHITE (SOFT TRAC)	4	4
31	1016514-04		TIRE AND WHEEL ASSEMBLY, WHITE (WHITE WALL POWER RIB)	4	4
31	1016514-05		TIRE AND WHEEL ASSEMBLY, WHITE (TERRAGARD)	4	4
32	1015707		WHEEL RIM (BEIGE) (UNMOUNTED RIMS NOT SHOWN)	4	4
32	1014771		WHEEL RIM (WHITE) (UNMOUNTED RIMS NOT SHOWN)	4	4

G  
E  
1

GAS



ELECTRIC

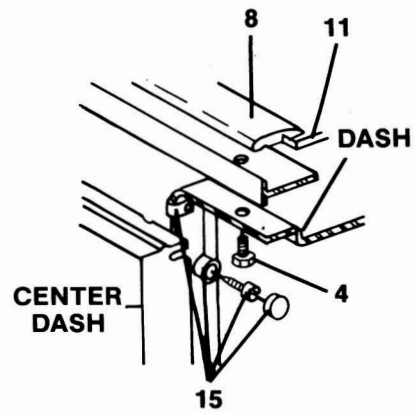
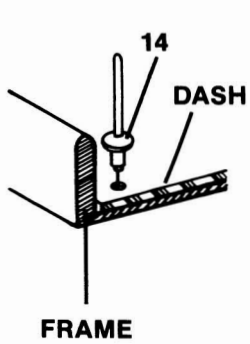
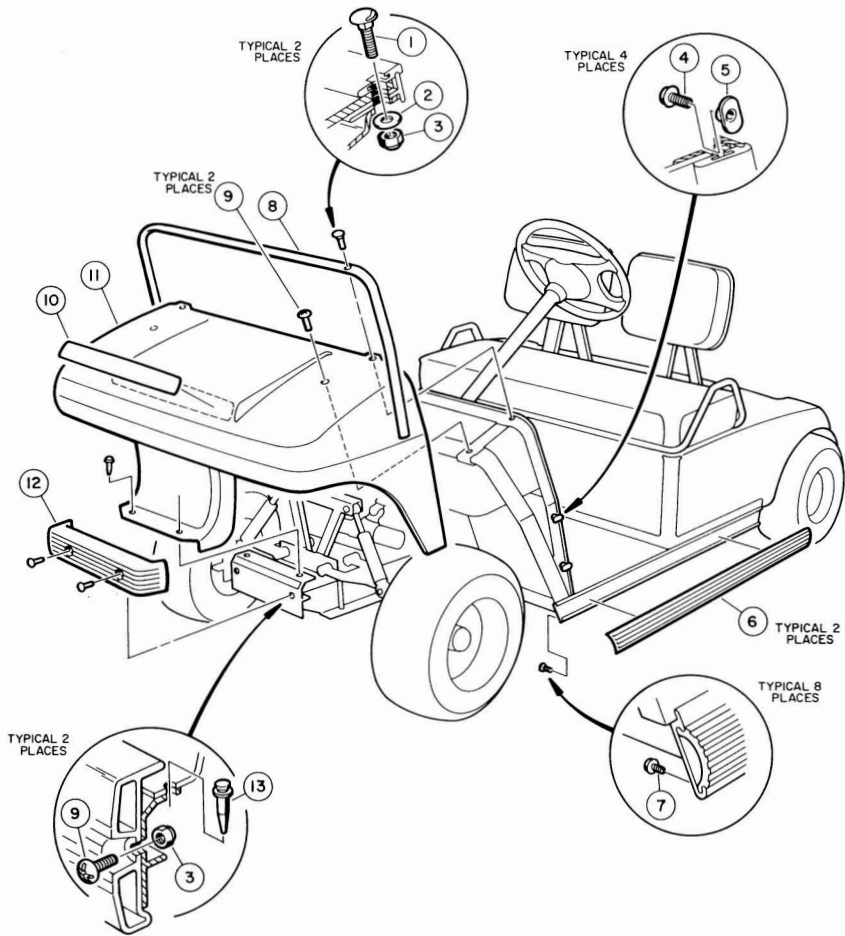


**BODY AND TRIM (CONTINUED)**

**BODY AND TRIM (CONTINUED)**

ITEM NUMBER	PART NUMBER	DESCRIPTION	1 2 3 4			
			UNITS PER VEHICLE		UNITS PER VEHICLE	
			GAS	ELECTRIC		
33	1028	NUT, 1/4-20 HEX	6			
34	451	LOCKWASHER, 1/4	6			
35	1013509	BOLT, HEX HEAD, 1/4-20 X 1-3/4"		2		
36	1013507	SPACER, 1"		2		
37	343	BOLT, HEX HEAD, 1/4-20 X 3"		2		
38	1013506	SPACER, 2-1/8"		2		
39	1012462	BOLT, HEX HEAD, 1/4-20 X 3-1/2"		2		
40	1013508	SPACER, 2-3/4"		2		
41	332	FLATWASHER, 1/4"		6		
42	8233	LOCKNUT, 1/4-20 UNC		6		
43	1015421	SOUND INSULATION (LEFT)	1			
44	1015422	SOUND INSULATION (RIGHT)	1			
45	1015672	TIRE — UNMOUNTED (POWER RIB)	4	4		
45	1015674	TIRE — UNMOUNTED (SOFT TRAC)	4	4		
45	7271	TIRE — UNMOUNTED (STANDARD RIB)	4	4		

G  
E  
1

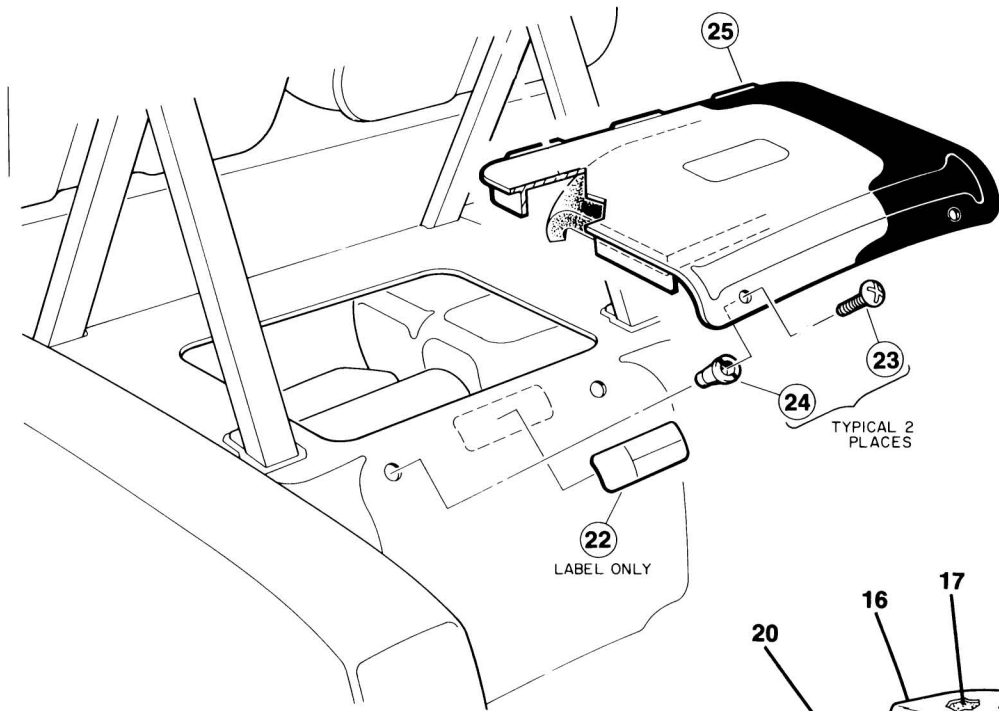


**COVERS — FRONT**

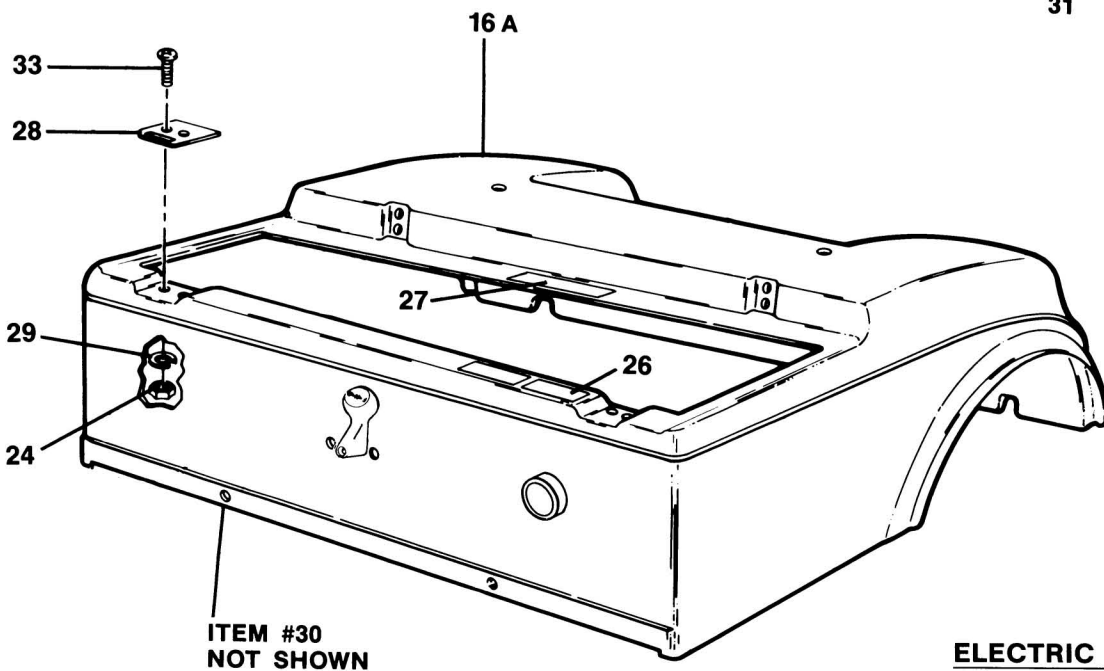
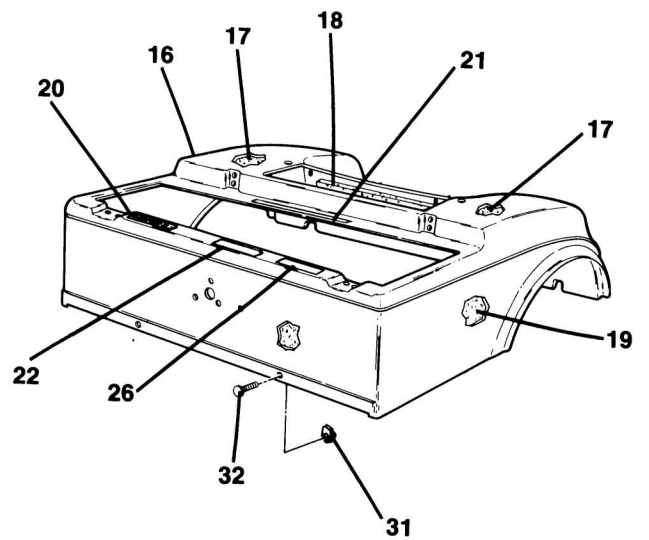
**COVERS — FRONT**

ITEM NUMBER	PART NUMBER	1 2 3 4	DESCRIPTION	UNITS PER VEHICLE	
				GAS	ELECTRIC
1	1010435		CARRIAGE BOLT, 5/16-18 UNC-2A		
2	1241		5/16 FLATWASHER	2	2
3	1017180		LOCKNUT, 5/16-18 UNC-2B (BLACK)	2	2
4	1011017		FLANGE LOCK SCREW	2	2
5	1011394		SLAB BASE "T" NUT PACKAGE (4 PIECES)	6	6
6	1013983		BUMPER, SIDE GUARD	1	1
7	1012047		SCREW, #8-32 SELF TAPPING	2	2
8	1011014		COWL TRIM	8	8
9	1017177		SCREW, 5/16-18 X 1.00 PHILLIPS HEAD TRUSS	1	1
10	1014198		NAMEPLATE KIT	2	2
11	1016925-01		COWL (BEIGE)	1	1
11	1016925-02		COWL (WHITE)	1	1
11	1016925-03		COWL (NON-STANDARD)	1	1
11	1016925-04		COWL (GRAY)	1	1
11	1016925-05		COWL (GREEN)	1	1
11	1016925-06		COWL (RED)	1	1
11	1016925-07		COWL (LIGHT BLUE)	1	1
11	1016939-01		COWL WITH HEADLIGHT OPENING (BEIGE)	1	1
11	1016939-02		COWL WITH HEADLIGHT OPENING (WHITE)	1	1
11	1016939-03		COWL WITH HEADLIGHT OPENING (NON-STANDARD)	1	1
11	1016939-04		COWL WITH HEADLIGHT OPENING (GRAY)	1	1
11	1016939-05		COWL WITH HEADLIGHT OPENING (GREEN)	1	1
11	1016939-06		COWL WITH HEADLIGHT OPENING (RED)	1	1
11	1016939-07		COWL WITH HEADLIGHT OPENING (LIGHT BLUE)	1	1
12	1016868		BUMPER, FRONT	1	1
13	1016967		BLIND RIVET	1	1
14	7973		POP RIVET, 3/16 X 1/2"	2	2
15	1013986		SNAP WASHER KIT (BROWN)	7	7
15	1014645		SNAP WASHER KIT (BLACK)	2	2

G  
E  
1



**GAS VEHICLE**



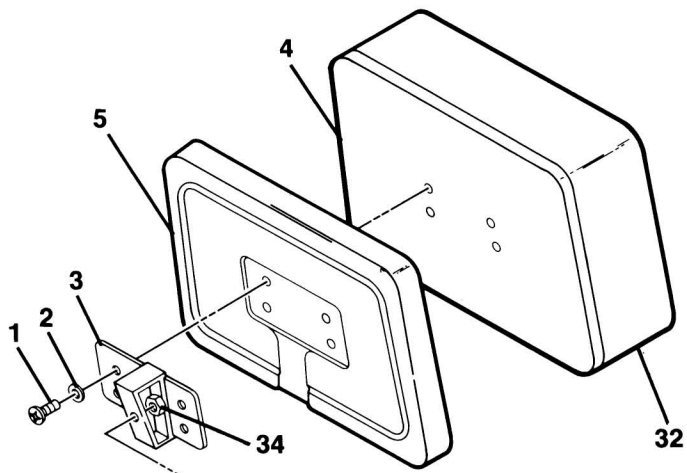
**ELECTRIC VEHICLE**

**COVERS — REAR**

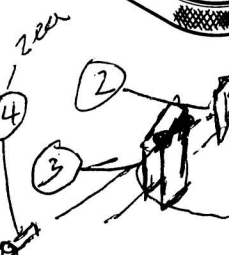
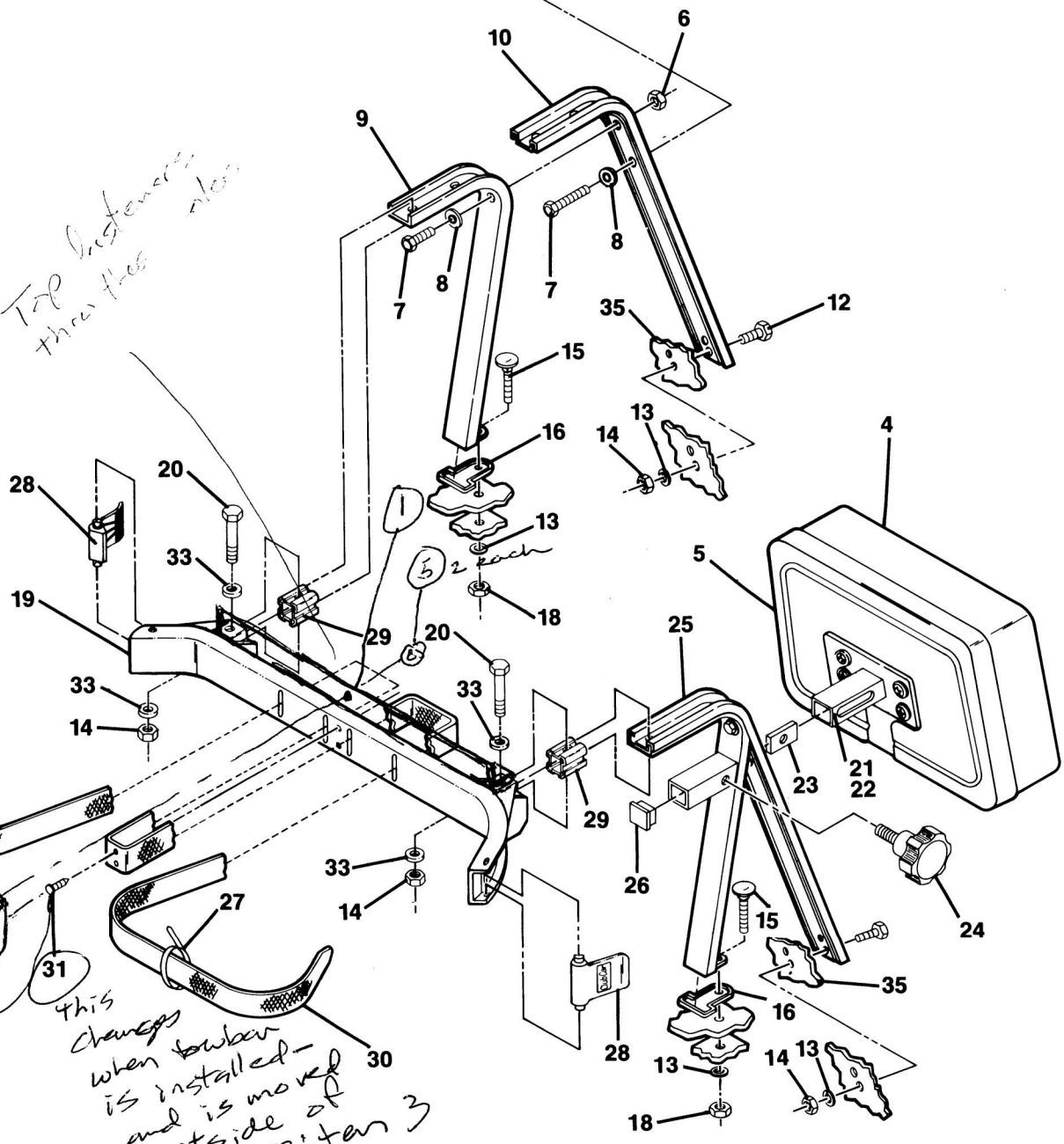
**COVERS — REAR**

ITEM NUMBER	PART NUMBER	1 2 3 4	DESCRIPTION	UNITS PER VEHICLE	UNITS PER VEHICLE
				GAS	ELECTRIC
16	1016926-01		BODY (BEIGE)	1	
16	1016926-02		BODY (WHITE)	1	
16	1016926-03		BODY (NON-STANDARD)	1	
16	1016926-04		BODY (GRAY)	1	
16	1016926-05		BODY (GREEN)	1	
16	1016926-06		BODY (RED)	1	
16	1016926-07		BODY (LIGHT BLUE)	1	
16A	1016933-01		BODY (BEIGE)		1
16A	1016933-02		BODY (WHITE)		1
16A	1016933-03		BODY (NON-STANDARD)		1
16A	1016933-04		BODY (GRAY)		1
16A	1016933-05		BODY (GREEN)		1
16A	1016933-06		BODY (RED)		1
16A	1016933-07		BODY (LIGHT BLUE)		1
16A	1016962-01		BODY WITH TAILLIGHT OPENINGS (BEIGE)		1
16A	1016962-02		BODY WITH TAILLIGHT OPENINGS (WHITE)		1
16A	1016962-03		BODY WITH TAILLIGHT OPENINGS (NON-STANDARD)		1
16A	1016962-04		BODY WITH TAILLIGHT OPENINGS (GRAY)		1
16A	1016962-05		BODY WITH TAILLIGHT OPENINGS (GREEN)		1
16A	1016962-06		BODY WITH TAILLIGHT OPENINGS (RED)		1
16A	1016962-07		BODY WITH TAILLIGHT OPENINGS (LIGHT BLUE)		1
16	1016962-08		BODY WITH TAILLIGHT OPENINGS (BEIGE)	1	
16	1016962-09		BODY WITH TAILLIGHT OPENINGS (WHITE)	1	
16	1016962-10		BODY WITH TAILLIGHT OPENINGS (NON-STANDARD)	1	
16	1016962-11		BODY WITH TAILLIGHT OPENINGS (GRAY)	1	
16	1016962-12		BODY WITH TAILLIGHT OPENINGS (GREEN)	1	
16	1016962-13		BODY WITH TAILLIGHT OPENINGS (RED)	1	
16	1016962-14		BODY WITH TAILLIGHT OPENINGS (LIGHT BLUE)	1	
17	1015420		SOUND INSULATION	2	
18	1015419		SOUND INSULATION	1	
19	1016963		SOUND INSULATION	1	
20	1015476		GASOLINE TANK DANGER LABEL	1	
21	1016083		MANIFOLD WARNING LABEL	1	
22	1013392		WARNING: MOVING PARTS DECAL	2	
23	1017114		SCREW, 1/4-20 X 1 PHILLIPS HEAD (BLACK)	8	8
24	8233		LOCKNUT, 1/4-20 NYLON	4	4
24	1015525		1/4-20 BLIND NUT	2	
25	1015829-01		ACCESS PANEL (BEIGE) KIT	1	
25	1015829-02		ACCESS PANEL (BLACK) KIT	1	
26	1013677		BATTERY DANGER DECAL		1
27	1013496		RESISTOR WARNING DECAL		1
28	1012412		HINGE PLATE	2	2
29	332		FLATWASHER, 1/4"	4	4
30	1017141		BODY SUPPORT — FRONT (NOT SHOWN)	1	1
31	1016952		1/4-20 U-NUT	2	2
32	1014415		1/4-20 X 3/4" TORX TRUSS HEAD SCREW	2	2
33	8251		1/4-20 X 1" PHILLIPS HEAD SCREW	4	4

G  
E  
1



*Top fasteners  
through here*



*this changes  
when barber  
is installed -  
and is moved  
outside of  
pitan 3*

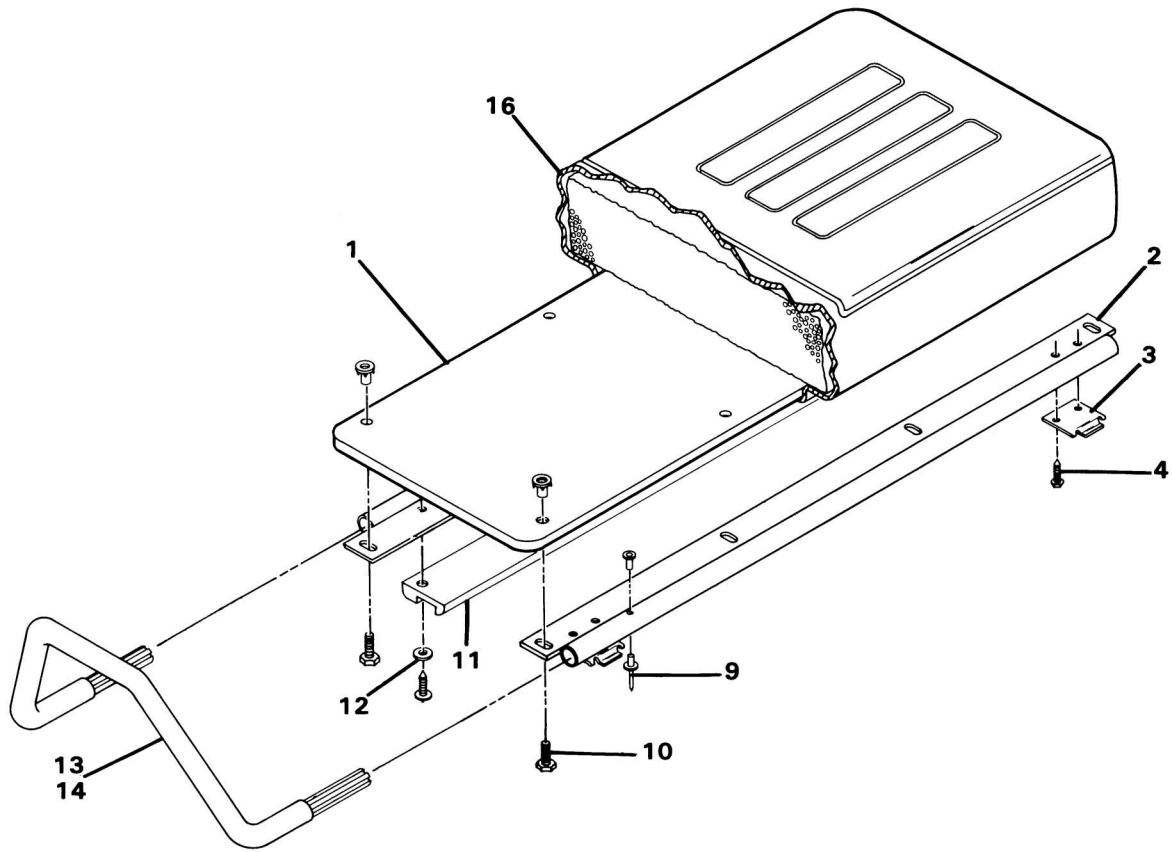
**SEAT BACK AND BAG HOOP**



## SEAT BACK AND BAG HOOP

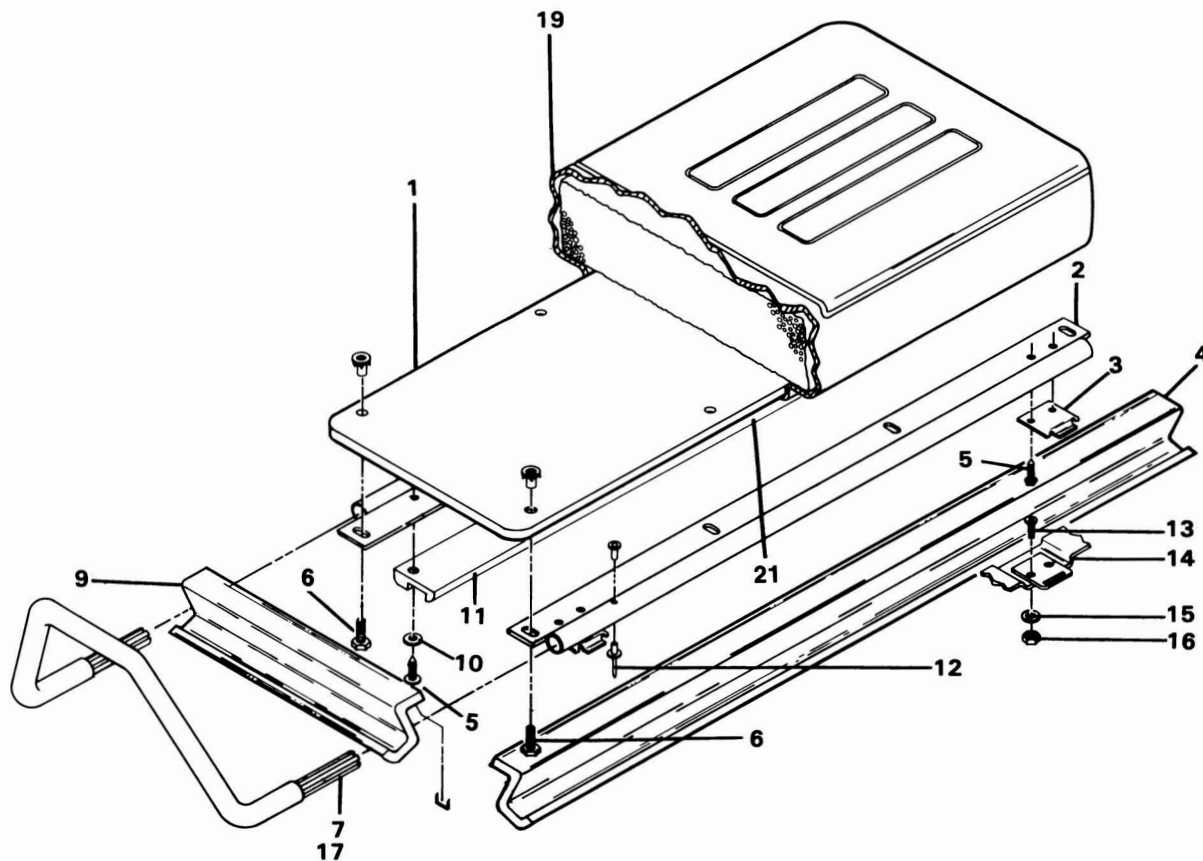
ITEM NUMBER	PART NUMBER	1 2 3 4	DESCRIPTION	UNITS PER VEHICLE	
				GAS	ELECTRIC
1	8248		SCREW, 1/4-20 X 3/4"	8	8
2	8304		LOCKWASHER, 1/4" INTERNAL TOOTH	8	8
3	1011716		PLATE MOUNTING ASSEMBLY	2	2
4	1015651-02		SEAT BACK ASSEMBLY — THICK BUNN (WHITE WITH BLACK CAP) INCLUDES ITEM 5	2	2
4	1015651-03		SEAT BACK ASSEMBLY — THICK BUNN (NON-STANDARD WITH BLACK CAP) INCLUDES ITEM 5	2	2
4	1015651-04		SEAT BACK ASSEMBLY — THICK BUNN (WHITE WITH TAN CAP) INCLUDES ITEM 5	2	2
4	1015651-05		SEAT BACK ASSEMBLY — THICK BUNN (BUFF WITH BLACK CAP) INCLUDES ITEM 5	2	2
5	1011231		CAP, SEAT BACK (TAN)	2	2
5	1013938		CAP, SEAT BACK (BROWN)	2	2
5	1013335		CAP, SEAT BACK (BLACK)	2	2
6	8233		LOCKNUT, 1/4-20 NYLON	2	2
7	7847		BOLT, HEX HEAD, 1/4-20 X 3/4"	4	4
8	332		FLATWASHER, 1/4"	6	6
9	1011710		KNEE BRACE WELD ASSEMBLY	2	2
10	1011708		MAIN SEAT BACK SUPPORT	2	2
12	1010577		BOLT, HEX HEAD, 5/16-18 X 1-1/2"	4	4
13	1241		FLATWASHER, 5/16"	6	6
14	7473		LOCKNUT, 5/16-18 NYLON	8	8
15	7818		BOLT, 5/16-18 X 1-1/2" CARRIAGE	2	2
16	1011706		MOUNTING PAD	2	2
18	1242		NUT, HEX, 5/16-18	2	2
19	1013935		BAG HOOP ASSEMBLY INCLUDES ITEMS 28, 30 AND 31	1	1
20	1017182		BOLT, HEX HEAD, 5/16-18 X 2-1/4" (BLACK)	2	2
21	1011794		ADJUSTABLE SEAT BACK KIT (OPTION) INCLUDES ITEMS 22-26	A/R	A/R
22	1011752		MOUNTING PLATE WELD ASSEMBLY	2	2
23	1010322		SEAT ADJUSTER LOCK	2	2
24	1011761		SEAT ADJUSTER KNOB	2	2
25	NO #		ADJUSTABLE SEAT BACK WELD ASSEMBLY (SEE ITEM 21)	2	2
26	1011760		TUBE PLUG	2	2
27	8639		TIE WRAP	1	1
28	1013754		BUCKLE	2	2
29	1013884		SPACER, BAG HOOP	2	2
30	1010413		BELT STRAP ASSEMBLY	1	1
31	1010434		PLASTIC BARRELS (BLACK)	2	2
32	1015626-01		VINYL COVER - SEAT BACK (BUFF)	A/R	A/R
32	1015626-02		VINYL COVER - SEAT BACK (WHITE)	A/R	A/R
32	1015626-03		VINYL COVER - SEAT BACK (NON-STANDARD)	A/R	A/R
33	1017173		FLATWASHER, 5/16" (BLACK)	4	4
34	1015661		1/4-20 FLANGE LOCKNUTS	2	2
35	1017138		BODY SUPPORT — REAR	1	1

G  
E  
1



**SEAT BOTTOM AND ARMREST — ELECTRIC VEHICLE**

ITEM NUMBER	PART NUMBER	1 2 3 4				DESCRIPTION	UNITS PER VEHICLE
		1	2	3	4		
1	1015648-04					SEAT BOTTOM ASSEMBLY, (BUFF)	1
1	1015648-05					SEAT BOTTOM ASSEMBLY, (WHITE)	1
1	1015648-06					SEAT BOTTOM ASSEMBLY, (NON-STANDARD)	1
2	1015625					BRACKET, SEAT SUPPORT	2
3	1011652					PLATE, SEAT HINGE	2
4	1011451					SCREW, #12 TYPE AB	9
9	1012327					RIVET, 3/16" MATING	4
10	304					BOLT, 1/4-20 HEX	8
11	1012597					BUMPER, SEAT	1
12	183					WASHER, #10 FLAT	3
13	1011786					LEFT ARMREST ASSEMBLY	1
14	1011780					RIGHT ARMREST ASSEMBLY	1
15	1015670					ARMREST SEAT BOTTOM ASSEMBLY KIT INCLUDES ITEMS 2, 9, 13 AND 14	1
16	1015627-01					VINYL COVER - SEAT BOTTOM (BUFF)	A/R
16	1015627-02					VINYL COVER - SEAT BOTTOM (WHITE)	A/R
16	1015627-03					VINYL COVER - SEAT BOTTOM (NON-STANDARD)	A/R



**SEAT BOTTOM AND ARMREST ASSEMBLY — GAS VEHICLE**

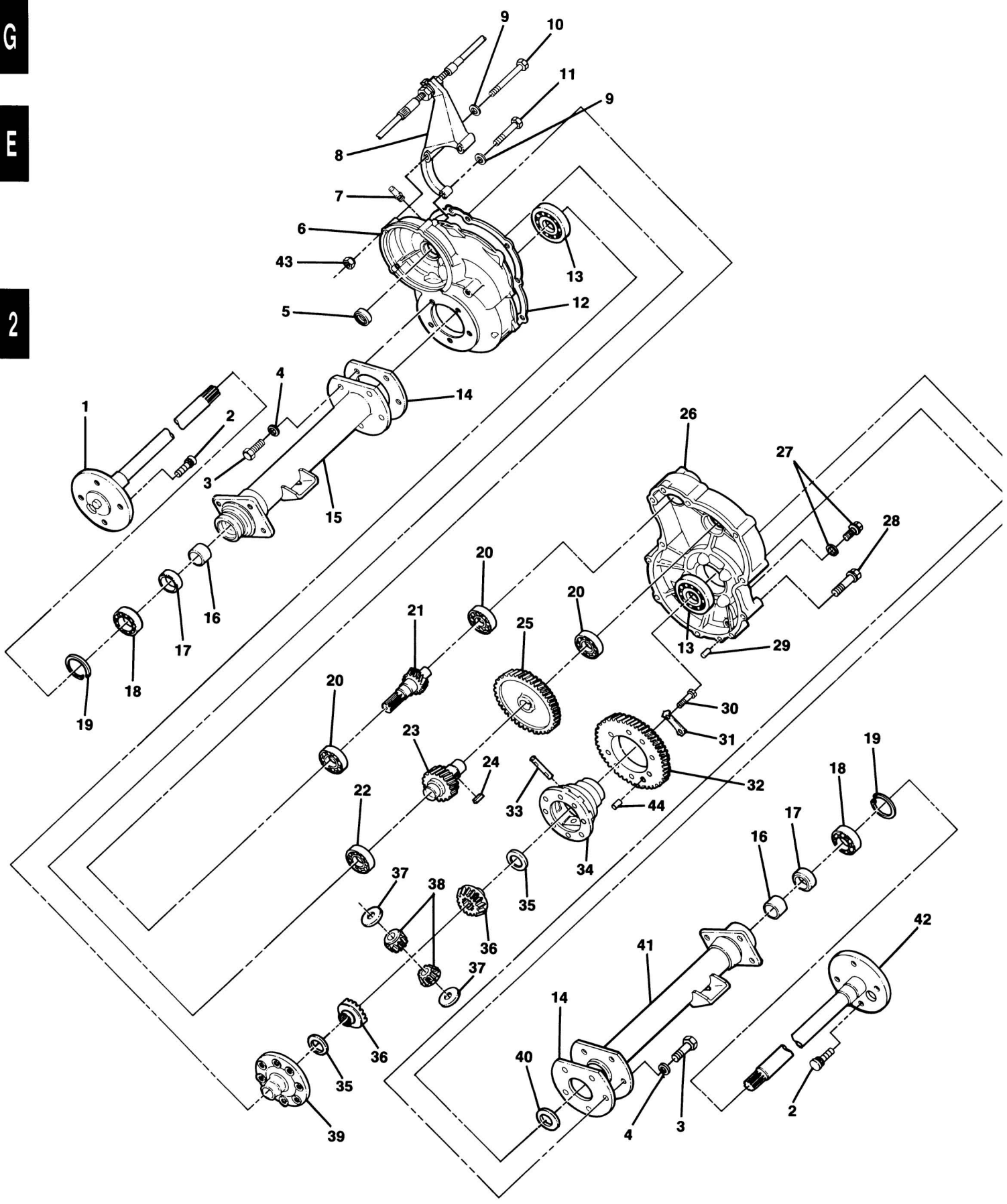
ITEM NUMBER	PART NUMBER	1 2 3 4				DESCRIPTION	UNITS PER VEHICLE
		1	2	3	4		
1	1015648-04					SEAT BOTTOM ASSEMBLY (BUFF)	1
1	1015648-05					SEAT BOTTOM ASSEMBLY (WHITE)	1
1	1015648-06					SEAT BOTTOM ASSEMBLY (NON STANDARD)	1
2	1015625					BRACKET, SEAT SUPPORT	2
3	1011652					PLATE, SEAT HINGE	2
4	1012657					GASKET, SEAT (LONG)	1
5	1011451					SCREW, #12 TYPE AB	9
6	304					BOLT, 1/4-20 HEX	8
7	1011786					LEFT ARMREST ASSEMBLY	1
9	1012656					GASKET, SEAT (SHORT)	2
10	183					WASHER, #10 FLAT	5
11	1012597					BUMPER, SEAT	1
12	1012327					RIVET, 3/16 MATING	4
13	8251					SCREW, 1/4-20 PHILLIPS HEAD	4
14	1012412					PLATE, BODY HINGE	2
15	332					WASHER, 1/4 FLAT	4
16	8233					NUT, 1/4-20 NYLON LOCK	4
17	1011780					RIGHT ARMREST ASSEMBLY	1
19	1015627-01					VINYL COVER - SEAT BOTTOM (BUFF)	A/R
19	1015627-02					VINYL COVER - SEAT BOTTOM (WHITE)	A/R
19	1015627-03					VINYL COVER - SEAT BOTTOM (NON STANDARD)	A/R
20	1015670					ARMREST SEAT BOTTOM ASSEMBLY KIT INCLUDES ITEMS 2, 12, 7 AND 17	1
21	1015417					SOUND INSULATION (NOT SHOWN)	1
22	1016623					INSULATION RETAINER (NOT SHOWN)	2

G

E

1

**Section 2**  
**DRIVE UNIT**



**DRIVE UNIT**

## DRIVE UNIT

ITEM NUMBER	PART NUMBER	DESCRIPTION				UNITS PER VEHICLE
		1	2	3	4	
	1013664	DRIVE UNIT				1
		INCLUDES ALL ITEMS EXCEPT 8, 9, 10, 11 AND 43				
1	1013785	AXLE ASSEMBLY, RIGHT				1
		INCLUDES ITEMS 2, 16, 18 AND 19				
2	1013787	LUG STUD				8
3	1013790	BOLT (10 X 30)				10
4	1013791	LOCKWASHER				10
5	1013775	INPUT SHAFT OIL SEAL				1
6	1013756	GEAR CASE — RIGHT HAND				1
7	1012711	BREATHER PLUG				1
8	1013866	SHIFT CABLE SUPPORT BRACKET KIT (GAS VEHICLE ONLY)				1
		INCLUDES ITEMS 9, 10, 11 AND 43				
9	332	1/4" FLATWASHER				6
10	1013872	1/4-20 X 4" HEX BOLT				2
11	1012462	1/4-20 X 3-1/2" HEX BOLT				1
12	1013758	GASKET				1
13	7330	INNER AXLE, TUBE BEARING				2
14	1013789	GASKET — AXLE TUBE				2
15	1014209	AXLE TUBE ASSEMBLY — RIGHT HAND				1
16	1014207	BUSHING WITH GROOVE IN END				1
17	1013794	AXLE SHAFT OIL SEAL				2
18	1011291	OUTER AXLE TUBE BEARING				2
19	1013792	CIRCLIP, TYPE-C				2
20	7335	INPUT GEAR BEARING				3
21	1013764	SHAFT, INPUT				1
22	7336	INTERMEDIATE GEAR BEARING				1
23	1013766	INTERMEDIATE GEAR — SMALL				1
24	1013780	KEY, SUNK				1
25	1013765	INTERMEDIATE GEAR — LARGE				1
26	1013757	GEAR CASE — LEFT HAND				1
27	1013759	FILL PLUG WITH GASKET				2
28	1013763	BOLT (6 X 50)				10
29	1012710	PIN, DOWEL				2
30	1013779	BOLT (8 X 37)				8
31	1013782	PLATE, LOCK				4
32	1013767	OUTPUT GEAR				1
33	1013772	DIFFERENTIAL PIN				1
34	1013768	DIFFERENTIAL GEAR CASE — LEFT HAND				1
35	1013773	PLATE, THRUST (DIFFERENTIAL GEAR)				2
36	1013771	DIFFERENTIAL GEAR				2
37	1013774	PLATE, THRUST (IDLER GEAR)				2
38	1013770	DIFFERENTIAL IDLER GEAR				2
39	1013769	DIFFERENTIAL GEAR CASE — RIGHT HAND				1
40	1013781	SHIM				A/R
41	1014210	AXLE TUBE ASSEMBLY — LEFT HAND				1
42	1013786	AXLE ASSEMBLY, LEFT				1
		INCLUDES ITEMS 2, 16, 18 AND 19				
43	8233	1/4-20 NYLON LOCKNUT				3
44	1014193	PIN, DOWEL				1

G

E

2

G

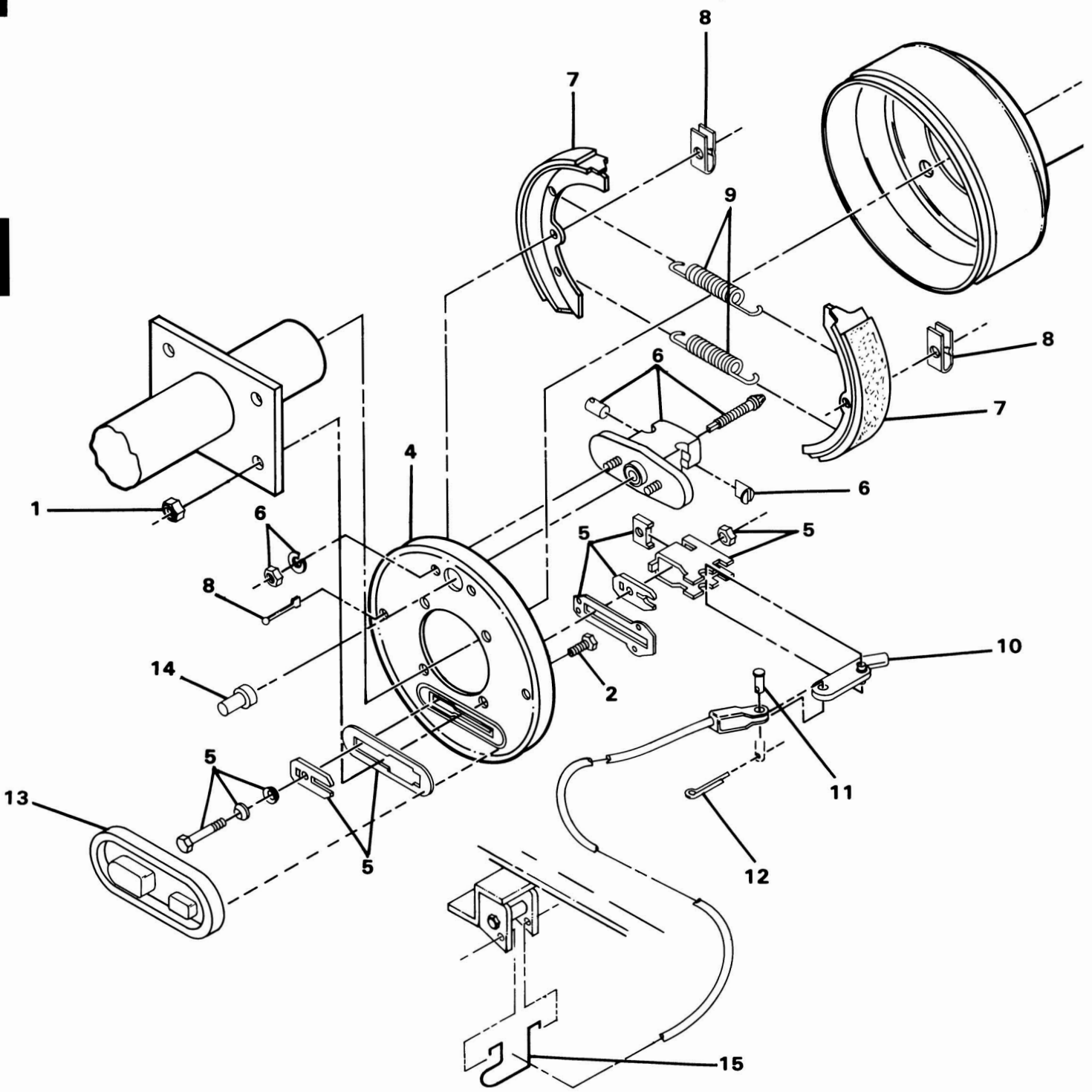
E

2



## **Section 3**

# **BRAKES, PEDAL AND CABLE ASSEMBLY**



**BRAKE CLUSTER, RIGHT HAND AND LEFT HAND**

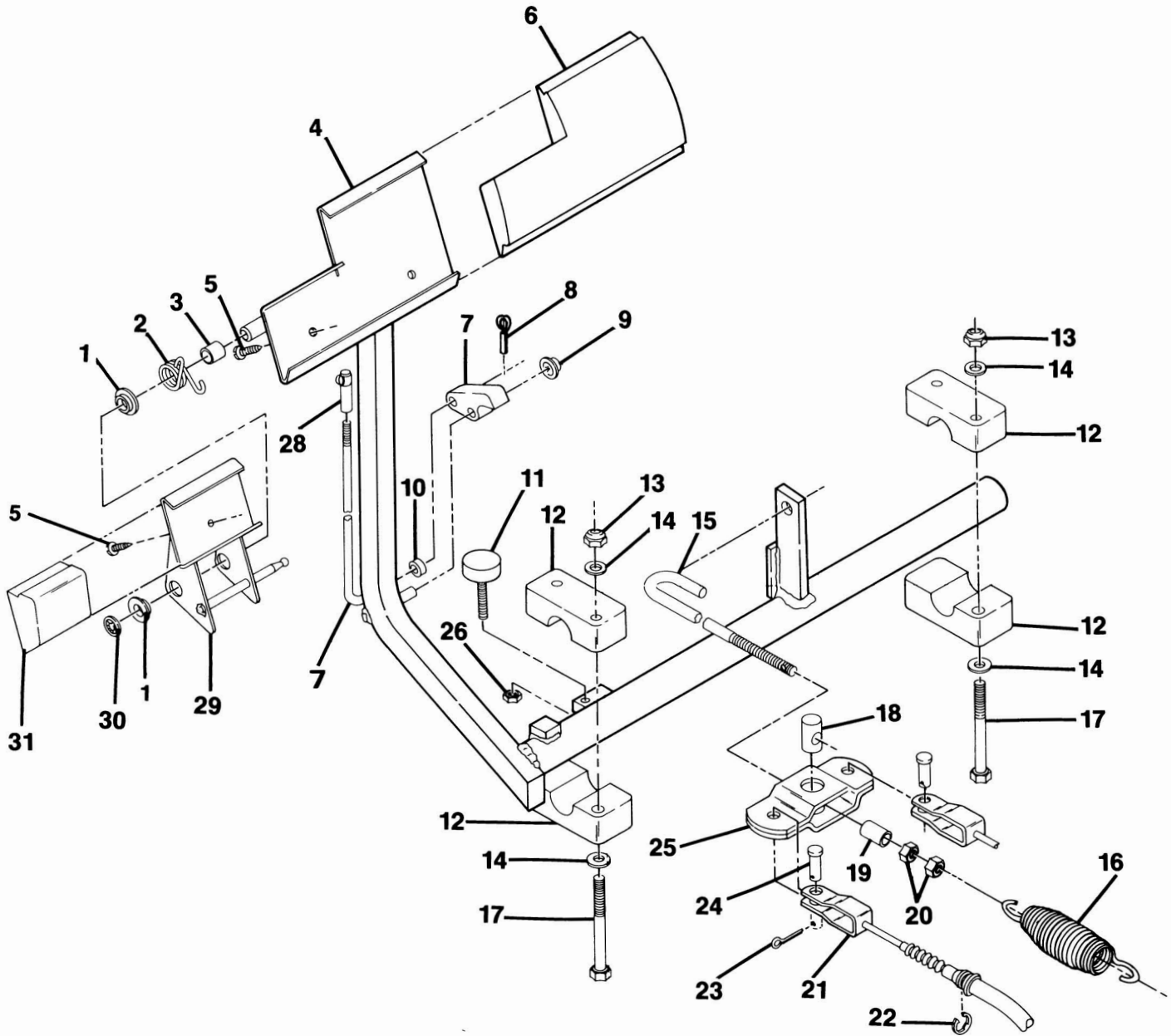
**BRAKE CLUSTER, RIGHT HAND AND LEFT HAND**

ITEM NUMBER	PART NUMBER	DESCRIPTION	UNITS PER VEHICLE
	1011146	RIGHT HAND BRAKE CLUSTER COMPLETE INCLUDES ITEMS 4 THRU 14	1
	1011145	LEFT HAND BRAKE CLUSTER COMPLETE INCLUDES ITEMS 4 THRU 14	1
1	1013924	LOCKNUT, 5/16-24, GRADE 8	8
2	1014153	BOLT, BRAKE CLUSTER MOUNTING	8
3	1011137	DRUM, BRAKE	2
4	1011494	PLATE BACKING, LEFT HAND	1
4	1011154	PLATE BACKING, RIGHT HAND	1
5	1011465	BRAKE ACTUATOR KIT	1
6	1011467	ANCHOR BODY KIT	1
7	1011463	BRAKE SHOE PACKAGE (4 PIECES)	1
8	1011466	SHOE RETAINER KIT	1
9	1011464	BRAKE SPRING PACKAGE	1
10	1011297	ARM, BRAKE LEVER	2
11	1010829	PIN, 5/16" CLEVIS	2
12	1035	PIN, COTTER	2
13	1010850	COVER, DUST	2
14	1011303	CAP, ADJUSTMENT BOLT	2
15	1013207	BRAKE CABLE HANGER	2

**G**

**E**

**3**



**BRAKE PEDAL AND CABLE ASSEMBLY**

## BRAKE PEDAL AND CABLE ASSEMBLY

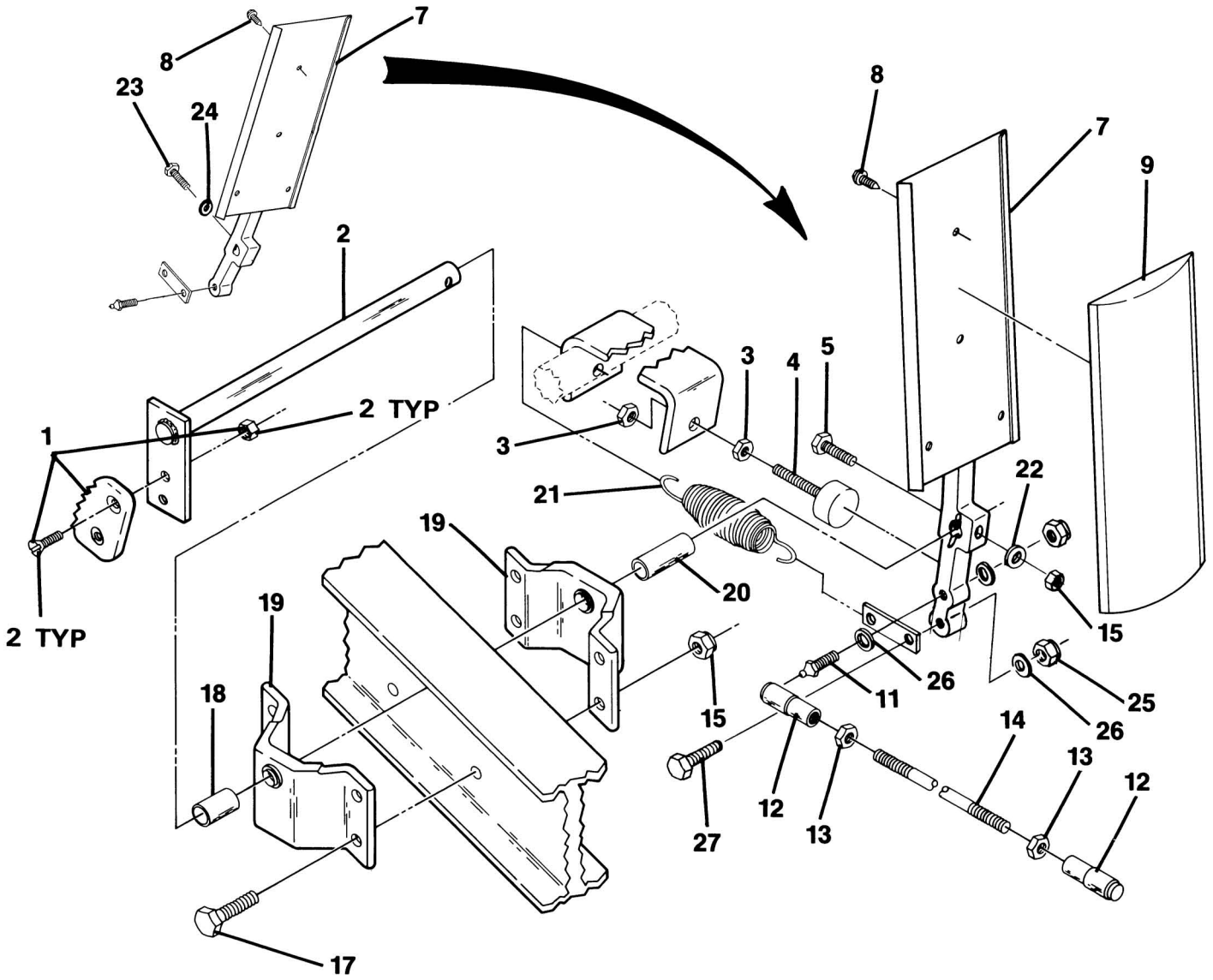
ITEM NUMBER	PART NUMBER	DESCRIPTION	UNITS PER VEHICLE
			1 2 3 4
1	1032	NYLON BUSHING	2
2	1010933	TORSION SPRING	1
3	1010927	HILL BRAKE SPACER	1
4	1011406	BRAKE PEDAL KIT INCLUDES ITEMS 5 & 6	1
5	7716	SCREW, NO. 10-16 SHEET METAL	6
6	1013869	BRAKE PEDAL PAD	1
7	1016173	HILL BRAKE ROD AND PAWL KIT INCLUDES ITEMS 7, 8, 9 AND 10	1
8	1017029	PIN - COTTER, 7/64 X 1/2", 302 STAINLESS STEEL	1
9	1010877	NUT, 5/16 PUSH	1
10	1010805	HILL BRAKE ROD SLEEVE	1
11	1010878	BRAKE STOP	1
12	1011402	BRAKE MOUNTING BLOCK PACKAGE	1
13	7473	NUT, 5/16-18 NYLON LOCK	4
14	1241	WASHER, 5/16 FLAT	8
15	1010808	EQUALIZER ROD	1
16	1013532	SPRING, BRAKE RETURN (GAS VEHICLE)	1
16	1013531	SPRING, BRAKE RETURN (ELECTRIC VEHICLE)	1
17	1010921	BOLT, 5/16-18 HEX	4
18	1016320	LIMITER EQUALIZER PIVOT	1
19	1013855	SPACER EQUALIZER	1
20	1242	NUT, 5/16-18 HEX	2
21	1011403	BRAKE CABLE KIT INCLUDES ITEMS 22, 23, 24	2
22	1011779	RING, "E"	4
23	1035	PIN, COTTER	2
24	1010829	PIN, 5/16 CLEVIS	2
25	1016319	EQUALIZER WELD ASSEMBLY	1
26	1028	NUT, 1/4-20 HEX	1
28	1010932	BALL JOINT, 1/4-28	1
29	1011418	HILL BRAKE KIT INCLUDES ITEMS 1, 5, 29, 30, 31	1
30	1013876	NUT, 3/8 PUSH	1
31	1013870	PAD, HILL BRAKE	1
32	1017211	EQUALIZER AND PIVOT LIMITER KIT INCLUDES ITEMS 18 AND 25	1

G

E

3

ELECTRIC VEHICLE ONLY



ACCELERATOR PEDAL ASSEMBLY

### ACCELERATOR PEDAL ASSEMBLY

ITEM NUMBER	PART NUMBER	DESCRIPTION				UNITS PER VEHICLE
		1	2	3	4	
1	1011877	LATCH, HILL BRAKE				1
2	1016166	ROD, ACCELERATOR PIVOT (GAS VEHICLE)				1
2	1016116	ROD, ACCELERATOR PIVOT (ELECTRIC VEHICLE)				1
3	1028	NUT, 1/4-20 HEX				2
4	1010878	STOP, BRAKE				1
5	1016619	BOLT, 1/4-20 HEX				1
6	1014007	1/4" FLATWASHER				1
7	1016377-01	ACCELERATOR PEDAL ASSEMBLY (GAS VEHICLE) INCLUDES ITEMS 8, 9, 10, 11, 25, 26, AND 27				1
7	1010969	ACCELERATOR PEDAL ASSEMBLY (ELECTRIC VEHICLE) INCLUDES ITEMS 8, 9, 10, AND 11				1
8	7716	SCREW, #10-16 SHEET METAL				4
9	1013871	PAD, ACCELERATOR				1
10	1011691	HANGER, ACCELERATOR PEDAL SPRING				1
11	1016157	BALL STUD, 1/4-28 X 1.00 (GAS VEHICLE)				1
11	1010954	BALL STUD, 1/4-28 (ELECTRIC VEHICLE)				1
12	1011734	BALL JOINT, 1/4-28 SPRING LOADED				2
13	1011084	NUT, 1/4-28 JAM				2
14	1014085	ROD, ACCELERATOR (ELECTRIC VEHICLE) INCLUDES ITEMS 12 AND 13				1
14	1016168	ROD, ACCELERATOR (GAS VEHICLE) INCLUDES ITEMS 12 AND 13				1
15	8233	LOCKNUT, 1/4-20 NYLON				5
17	7479	BOLT, 1/4-20 HEX				4
18	1011699	SPACER, 1/2"				1
19	1011694	BRACKET, ACCELERATOR BEARING				2
20	1011700	SPACER, ACCELERATOR				1
21	1012075	SPRING EXTENSION				1
22	332	1/4" FLATWASHER				1
23	403	BOLT, 1/4"-20 HEX (ELECTRIC VEHICLE ONLY)				1
24	8304	WASHER, 1/4" INTERNAL TOOTH LOCK (ELECTRIC VEHICLE ONLY)				1
25	8717	1/4-28 NYLON HEX NUT (GAS VEHICLE)				2
26	1014007	1/4 FLATWASHER (GAS VEHICLE)				3
27	7510	1/4-28 X 1-1/4 HEX CAP SCREW (GAS VEHICLE)				1

G

E

3

G

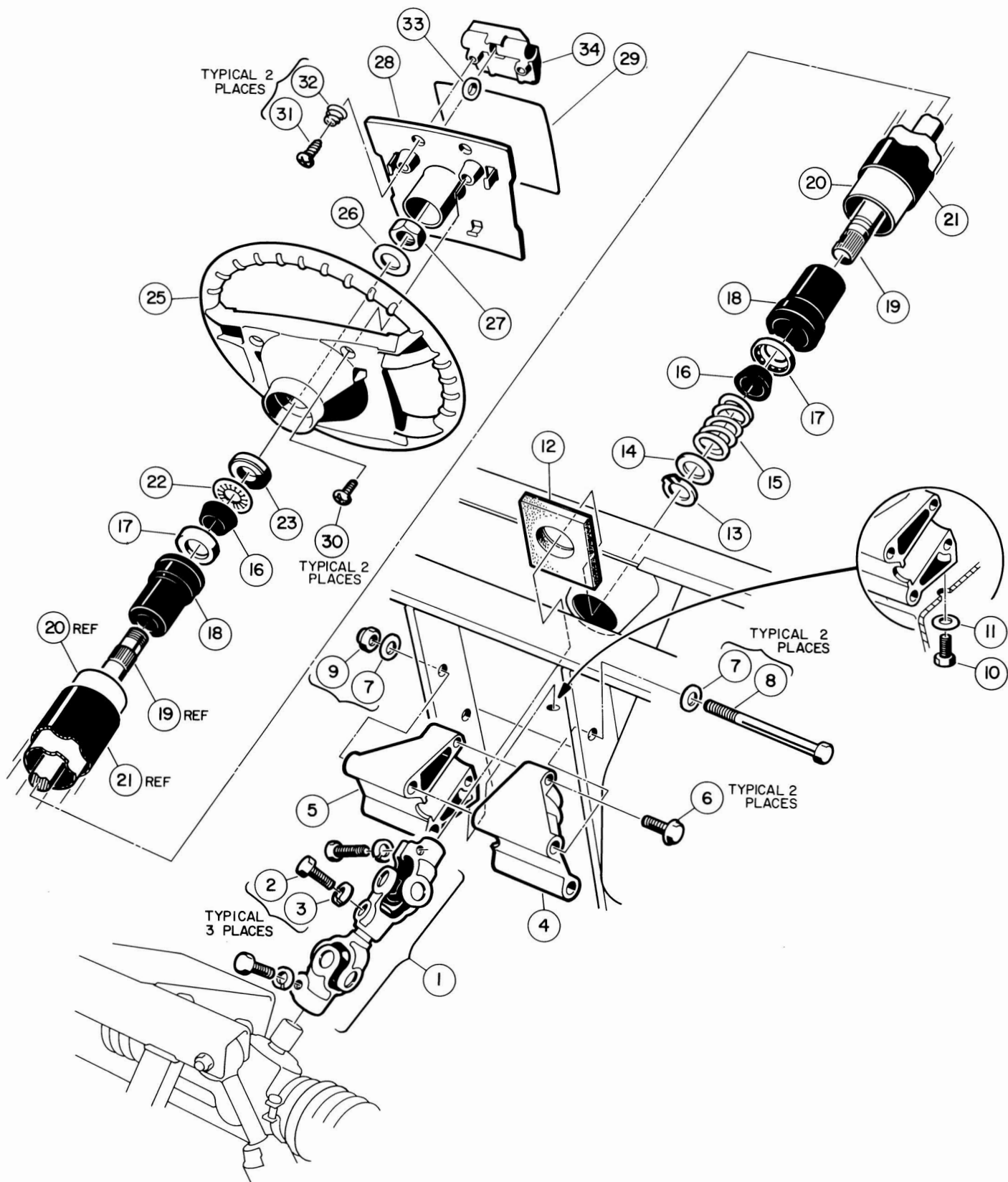
E

3



## **Section 4**

# **STEERING AND FRONT SUSPENSION**



**STEERING COLUMN — ALUMINUM**

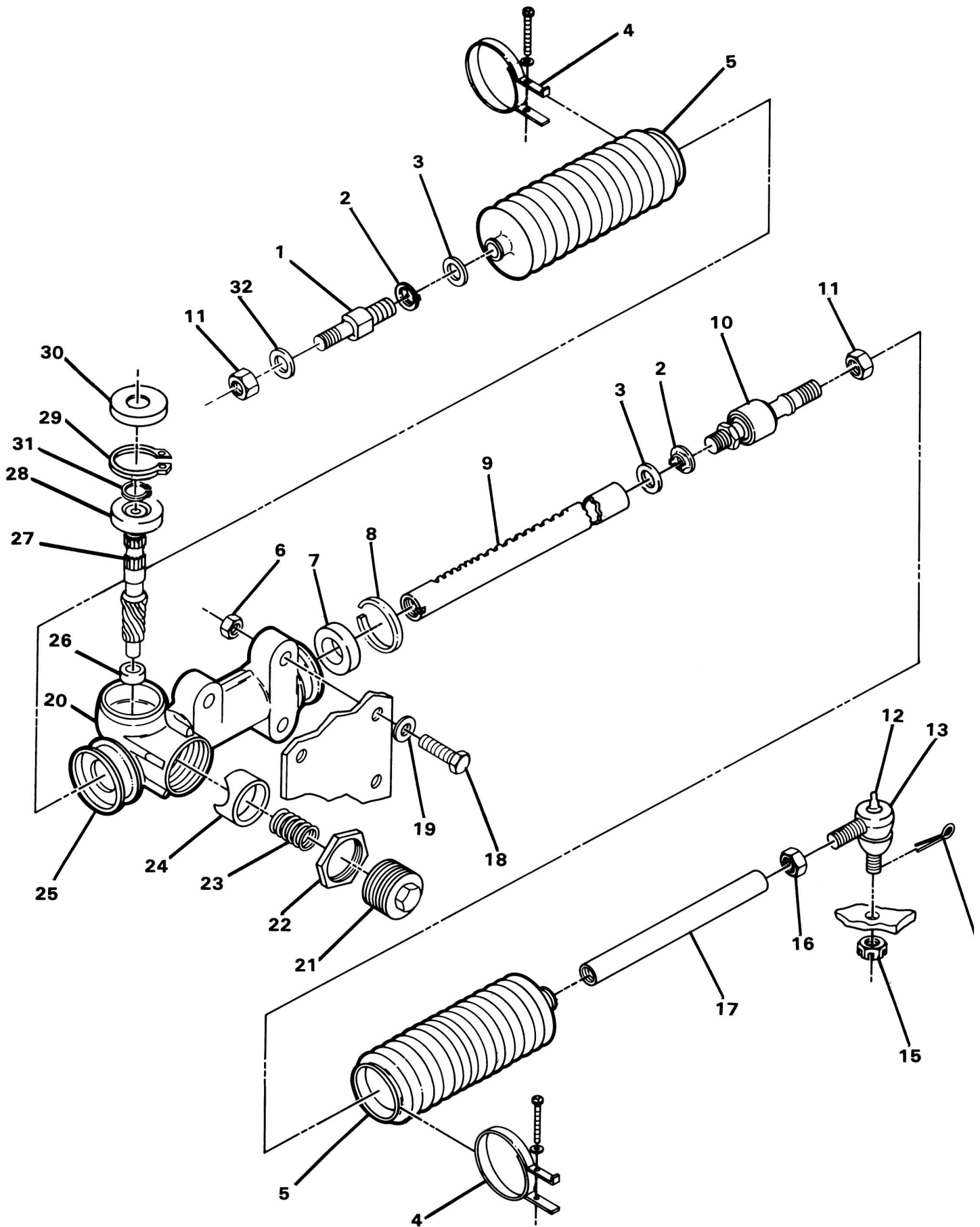
**STEERING COLUMN — ALUMINUM**

ITEM NUMBER	PART NUMBER	DESCRIPTION	UNITS PER VEHICLE
1	1013861	COMPOUND STEERING JOINT INCLUDES ITEMS 2 AND 3	1
2	1017226	HEX HEAD BOLT, 8MM	3
3	7174	LOCKWASHER, 5/16" DIAMETER	
4	1016185	STEERING COLUMN MOUNT, LEFT HAND	1
5	1016184	STEERING COLUMN MOUNT, RIGHT HAND	1
6	1016269	HEX WASH HEAD THREAD FORMING SCREW, 5/16-18 X 2	2
7	334	FLATWASHER, 3/8" DIAMETER	4
8	1016183	HEX HEAD BOLT, 3/8-16 X 6-1/2	2
9	8754	NYLON LOCKNUT, 3/8-16	2
10	1014288	HEX HEAD THREAD FORMING SCREW, 5/16-18 X 3/4	2
11	1011697	FLATWASHER, 5/16" DIAMETER	1
12	1012499	DUST BOOT	1
13	1012605	RETAINING RING	1
14	1012604	WASHER	1
15	1014217	SPRING	1
16	1014125	WEDGE	2
17	1014213	BEARING ASSEMBLY	2
18	1014126	BEARING SEAT	2
19	1015545	STEERING SHAFT	1
20	1016622	STEERING TUBE	1
21	1016263	STEERING TUBE COVER	1
22	1014214	RETAINING RING	1
23	1014211	BEARING SEAL	1
25	1016156	STEERING WHEEL	1
26	1012604	FLATWASHER, 5/8" DIAMETER	1
27	7278	HEX JAM NUT, 5/8-18	1
28	1016219	SCORE CARD PLATE ASSEMBLY INCLUDES ITEMS 28 AND 31 THRU 34	1
29	1016216	OPERATING INSTRUCTIONS DECAL	1
30	1010715	TRI-LOBULAR SCREW, #10-14	4
31	1012565	SCREW, #12	2
32	1012566	SPRING	2
33	1016214	PENCIL GRIP	1
34	1016154	SCORE CARD CLIP	1
	1016181	STEERING COLUMN ASSEMBLY INCLUDES ITEMS 13 THRU 20, 22 AND 23	

G

E

4



STEERING ASSEMBLY

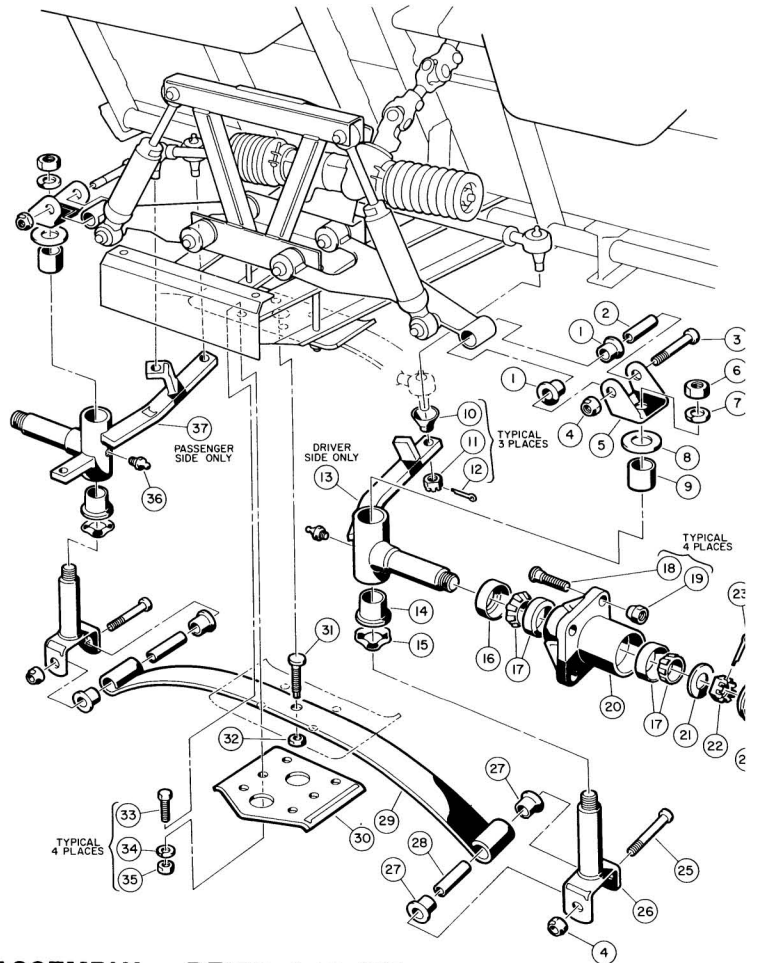
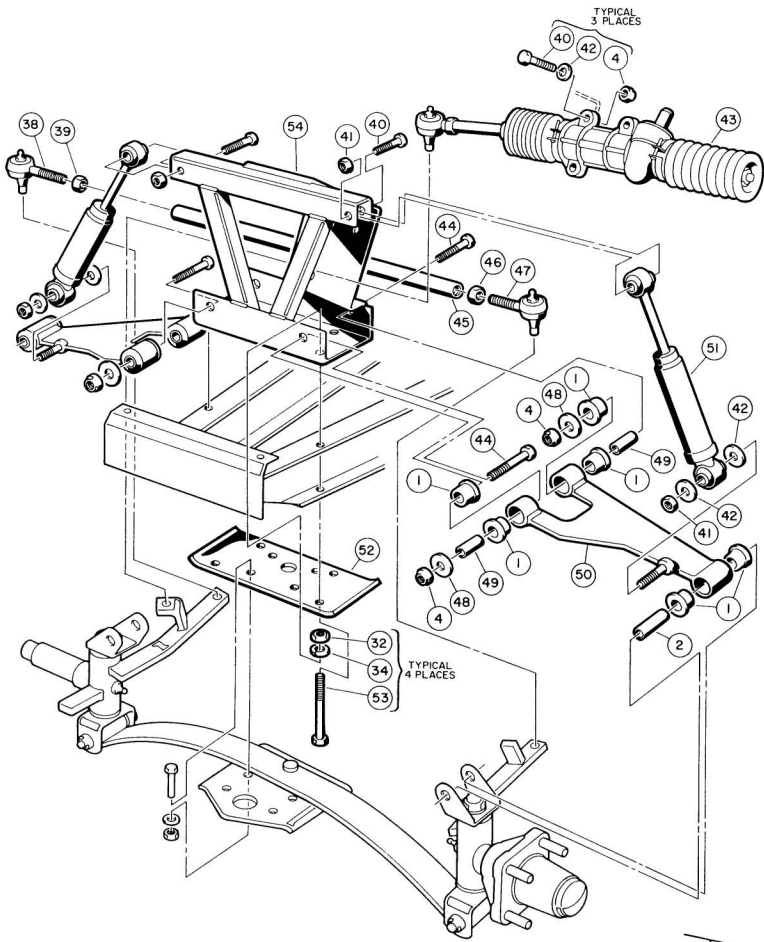
## STEERING ASSEMBLY

ITEM NUMBER	PART NUMBER	1 2 3 4	DESCRIPTION	UNITS PER VEHICLE
1	1013053		BOLT, STOPPER, 12MM	1
2	1013040		LOCKWASHER, TIE ROD	2
3	1013039		WASHER, TIE ROD STOPPER	2
4	1013034		BAND, BELLOWS	2
5	1013035		SEAL, DUST	2
6	1010138		LOCKNUT, 3/8-16	3
7	1013036		BUSHING, RACK	1
8	1013037		RING, SNAP	1
9	NO #		RACK, STEERING (SEE ITEM 20)	1
10	1013041		END, RACK	1
11	1013042		NUT, HEX, 12MM	2
12	1015597		FITTING, GREASE	1
13	7540		SOCKET, VERTICAL, LEFT HAND INCLUDES ITEMS 12 AND 15	1
14	1035		PIN, COTTER	1
15	7602		NUT, HEX, SLOTTED, 3/8-24	1
16	7555		NUT, LEFT HAND, JAM, 1/2-20	1
17	1012467		LINK, DRAG	1
18	1624		BOLT, HEX, 3/8-16	3
19	334		FLATWASHER, 3/8	3
20	1012452		STEERING GEAR BOX ASSEMBLY INCLUDES ITEMS 1 THRU 5, 7 THRU 11 AND 21 THRU 30	1
21	1013043		SCREW, RACK GUIDE	1
22	1013044		LOCKNUT, RACK SCREW	1
23	1013045		SPRING, RACK GUIDE PRESSURE	1
24	1013046		GUIDE, STEERING RACK	1
25	1013047		BOX, STEERING GEAR	1
26	1013048		BUSHING, PINION	1
27	NO #		PINION, STEERING (SEE ITEM 20)	1
28	1012884		BALL BEARING	1
29	1013051		RING-RETAINING, INTERNAL	1
30	1013052		DUST SEAL, STEERING PINION	1
31	1013031		RING-RETAINING, EXTERNAL	1
32	1013030		WASHER, END	1
33	1011930		DUST SEAL	1

G

E

4



**FRONT SUSPENSION ASSEMBLY — DELTA A-PLATE**

**FRONT SUSPENSION ASSEMBLY — DELTA A-PLATE**

ITEM NUMBER	PART NUMBER	1 2 3 4				DESCRIPTION	UNITS PER VEHICLE
1	1016346					URETHANE BUSHING	12
2	1016350					DELTA OUTER SLEEVE	2
3	1016387					HEX HEAD BOLT, 3/8-16 X 2-3/4 LONG	2
4	8754					NYLON LOCKNUT, 3/8-16	11
5	1016384					UPPER DELTA CLEVIS	2
6	1308					HEX NUT, 1/2-20	2
7	209					LOCKWASHER, 1/2 DIAMETER	2
8	1010150					THRUST WASHER	2
9	8067					SPINDLE BUSHING	2
10	1011930					DUST BOOT	3
11	7602					HEX NUT, SLOTTED, 3/8-24	3
12	1035					COTTER PIN, 3/32 DIAMETER X 1 LONG	3
13	1010342					SPINDLE SUB ASSEMBLY, LEFT HAND	1
14	7048					BRONZE BUSHING	2
15	1016389					KINGPIN WAVE WASHER	2
16	1013135					DUST SEAL	2
17	1011393					HUB BEARING	4
18	1011304					LUG STUD	8
19	1011390					LUG NUT	8
20	1011153					HUB	2
21	1010005					FLATWASHER, 3/4 DIAMETER	2
22	7840					HEX NUT, SLOTTED, 3/4-16	2
23	7910					COTTER PIN	2
24	1011887					DUST COVER	2
25	8755					HEX HEAD BOLT, 3/8-16 X 3-3/8 LONG	2
26	1016386					KINGPIN ASSEMBLY	2
27	1015583					URETHANE BUSHING	4
28	1012303					STEEL BUSHING	2
29	1015108					TAMPERED LEAF SPRING (GAS VEHICLE)	1
29	1012030					TAMPERED LEAF SPRING (ELECTRIC VEHICLE)	1
30	1014276					RETAINER PLATE	1
31	8745					ADJUSTMENT ECCENTRIC	1
32	706					HEX NUT, 3/8-16	5
33	1624					HEX HEAD BOLT, 3/8-16 X 1-1/2 LONG	4
34	357					LOCKWASHER, 3/8 DIAMETER	8
35	706					HEX NUT, 3/8-16	4
36	1015597					GREASE FITTING	2
37	1010344					SPINDLE SUB ASSEMBLY, RIGHT HAND	1
	1011894					HUB ASSEMBLY	
						INCLUDES ITEMS 17, 18 AND 20	
	1015828					FRONT SPRING ASSEMBLY	
						INCLUDES ITEMS 29, 31 AND 32	
38	1011893					BALL JOINT, RIGHT HAND	1
39	1308					HEX NUT, 1/2-20, RIGHT HAND	1
40	1624					HEX HEAD BOLT, 3/8-16 X 1-1/2	5
41	1010138					DIMPLED LOCKNUT, 3/8-16	4
42	334					FLATWASHER, 3/8 DIAMETER	7
43	1012485					GEAR AND SOCKET ASSEMBLY	1
44	2402					HEX HEAD BOLT, 3/8-16 X 2-1/4	4
45	1010219					TIE ROD	1
46	7555					HEX NUT, 1/2-20, LEFT HAND	1
47	1011895					BALL JOINT, LEFT HAND	1
48	808					FLATWASHER, TYPE B, 3/8 DIAMETER	4
49	1016349					DELTA INNER SLEEVE	4
50	1016351					DELTA A-PLATE	2
51	1015813					FRONT SHOCK ABSORBER (GAS VEHICLE)	2
51	1014235					FRONT SHOCK ABSORBER (ELECTRIC VEHICLE)	2
52	1010124					SPRING MOUNTING PLATE	1
53	1010200					HEX HEAD BOLT, 3/8-16 X 4-1/4	4
54	1016385					SHOCK SUPPORT	1

G

E

4

G

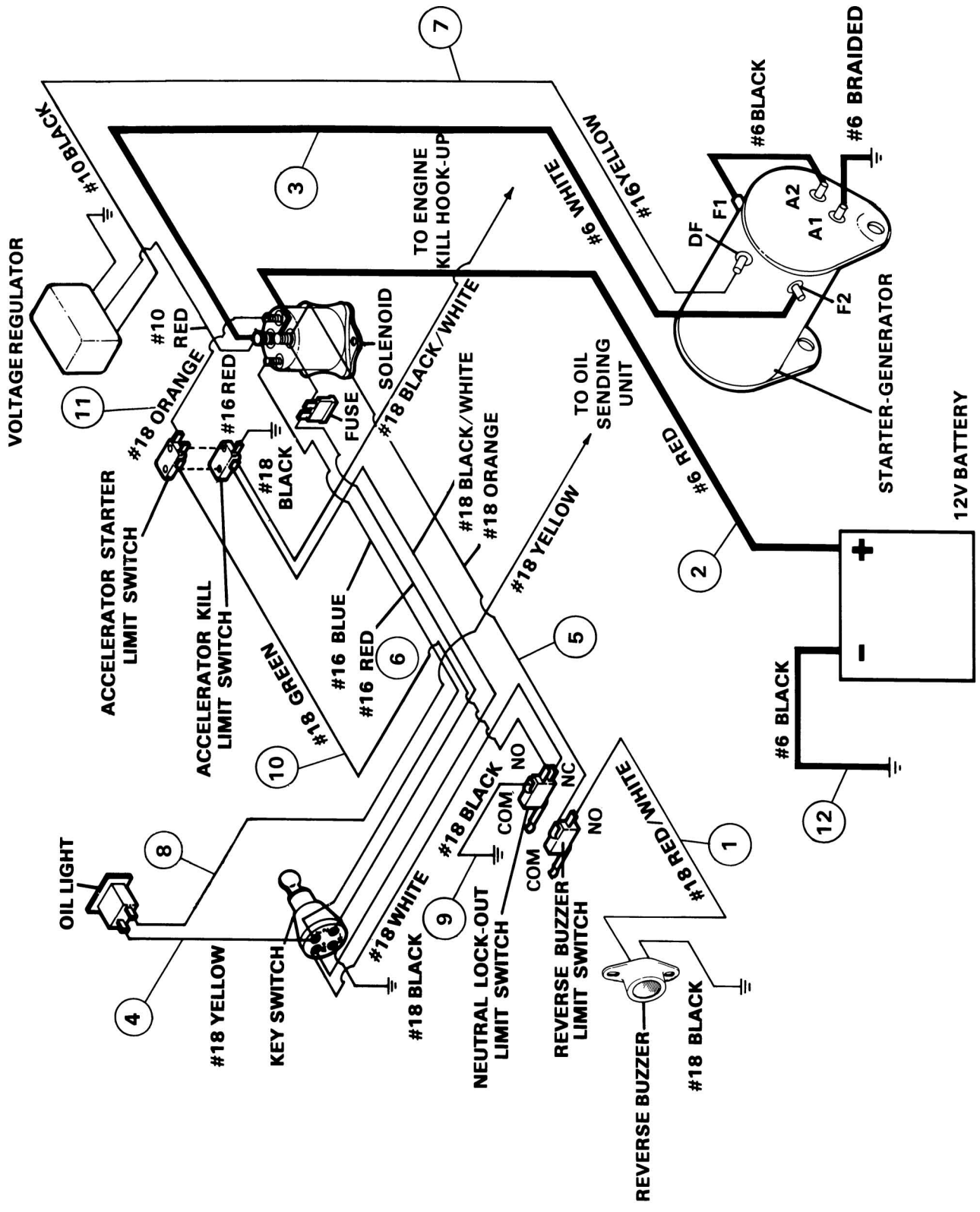
E

4



**Section 5**

**ELECTRICAL AND BATTERY**



WIRING — GAS VEHICLE

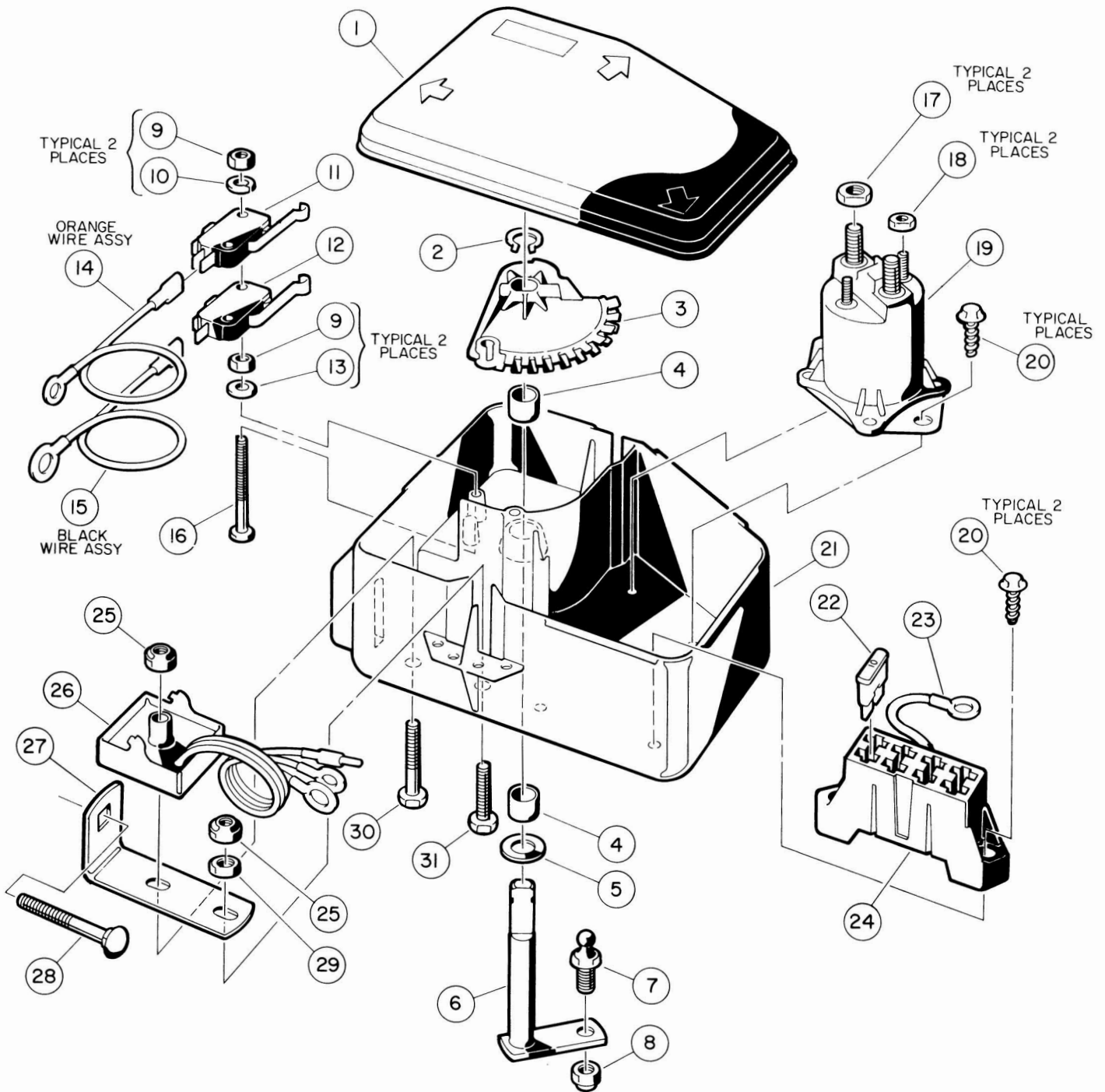
**WIRING — GAS VEHICLE**

ITEM NUMBER	PART NUMBER	DESCRIPTION	UNITS PER VEHICLE
		1 2 3 4	
	1015735	WIRE HARNESS ASSEMBLY	1
1	1013723	WIRE ASSEMBLY, #18 RED/WHITE	1
2	1014119	WIRE ASSEMBLY, #6 RED	1
3	1015769	WIRE ASSEMBLY, #6 WHITE	1
4	1013601	WIRE ASSEMBLY, #18 YELLOW	1
5	1015831	WIRE ASSEMBLY, #18 ORANGE	1
6	1015736	WIRE ASSEMBLY, #16 RED	1
7	1015738	WIRE ASSEMBLY, #16 YELLOW	1
8	1015740	WIRE ASSEMBLY, #18 YELLOW	1
9	1015780	WIRE ASSEMBLY, #18 BLACK	1
10	1015779	WIRE ASSEMBLY, #18 GREEN	1
11	1015767	WIRE ASSEMBLY, #18 ORANGE	1
12	1012382	WIRE ASSEMBLY, #6 BLACK	1

**G**

**5**

**NOTE: ITEM #30 BOX COVER MOUNTING SCREW NOT SHOWN**



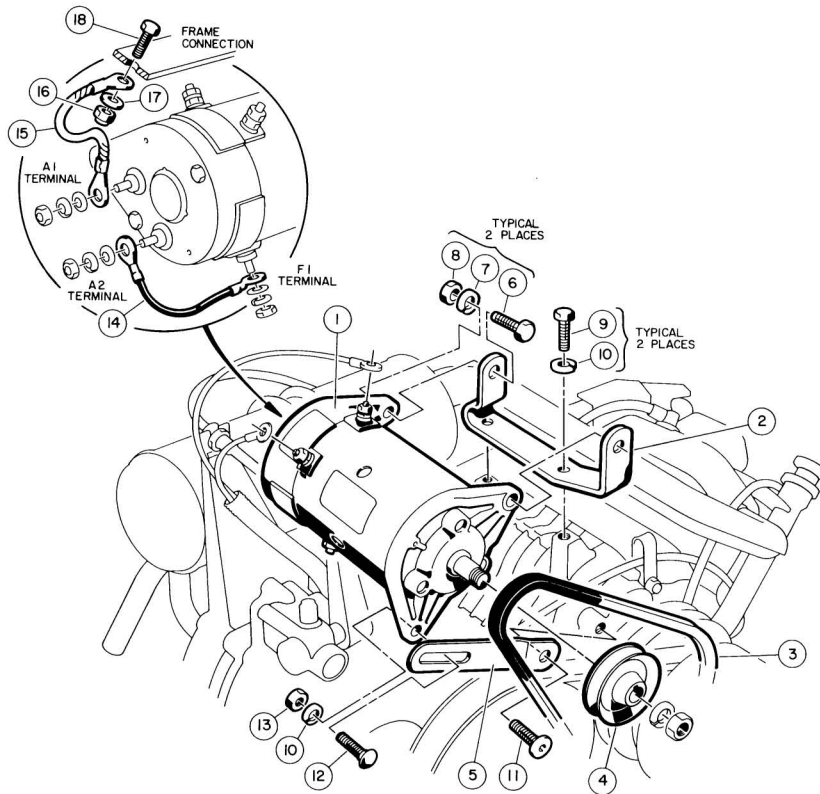
**ELECTRICAL COMPONENT BOX**

**ELECTRICAL COMPONENT BOX**

ITEM NUMBER	PART NUMBER	1 2 3 4				DESCRIPTION	UNITS PER VEHICLE
1	1015372					ELECTRICAL COMPONENT BOX COVER	1
2	1013589					RETAINING RING	1
3	1015373					CAM	1
4	1014145					BRONZE BUSHING	2
5	1014065					FLATWASHER (DELFIN)	1
6	1015345					BELL CRANK SHAFT ASSEMBLY	1
7	1010954					1/4 BALL STUD	1
8	8717					1/4-28 NYLON LOCK NUT	1
9	8057					#4-40 UNC HEX NUT	4
10	8058					#4 LOCKWASHER	2
11	1014807					LIMIT SWITCH	1
12	1014808					LIMIT SWITCH	1
13	1012431					#4 FLATWASHER	2
14	1015767					WIRE ASSEMBLY	1
15	1015766					WIRE ASSEMBLY	1
16	1015878					#4-40 UNC X 1.62 SCREW	2
17	1242					5/16-18 UNC HEX NUT	2
18	7893					#10-32 UNF HEX NUT	2
19	1013609					12 VOLT SOLENOID	1
20	1015752					#12-16 X .5 HILO SCREW	4
21	1015371					ELECTRICAL COMPONENT BOX	1
22	1012295					FUSE 10 AMP	1
23	1015737					WIRE ASSEMBLY	1
24	1015741					FUSE BLOCK	1
25	8233					1/4-20 NYLON LOCK NUT	2
26	1015777					VOLTAGE REGULATOR ASSEMBLY	1
27	1015343					GROUND STRAP	1
28	1015405					5/16-18 X 2.00 ROUND HEAD SQUARE NECK SCREW	1
29	1015919					1/4-20 JAM NUT	1
30	1703					1/4-20 X 1.50 HEX SCREW (NOT SHOWN)	1
31	304					1/4-20 UNC X 1 HEX SCREW	1
32	8168					WIRE TIE WRAP (NOT SHOWN)	2
33	1703					1/4-20 X 1.50 HEX SCREW	1

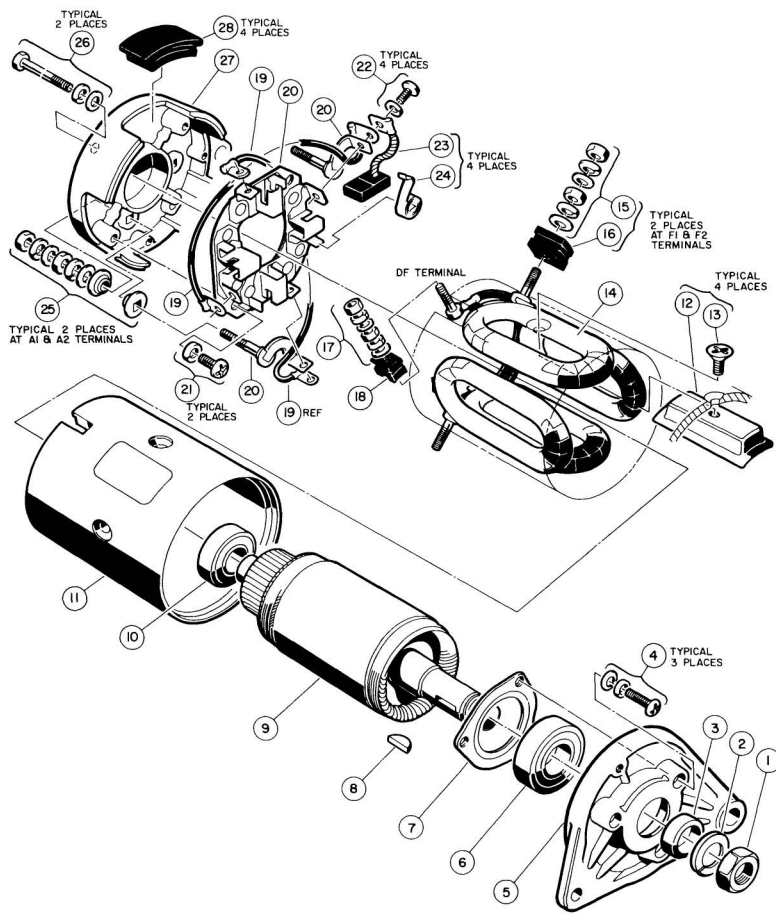
**G**

**5**



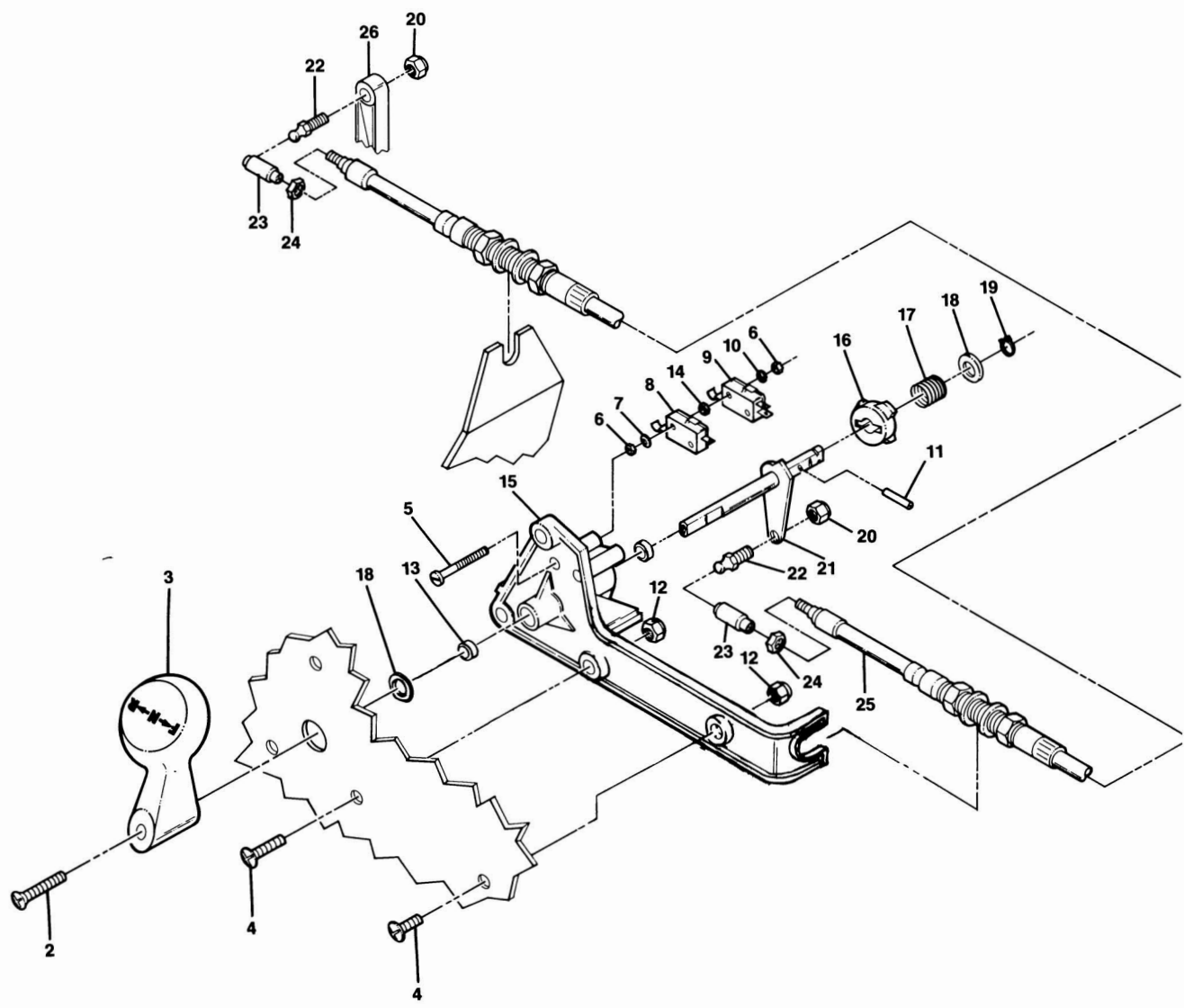
### STARTER-GENERATOR MOUNTING

ITEM NUMBER	PART NUMBER	1 2 3 4				DESCRIPTION	UNITS PER VEHICLE
		1	2	3	4		
1	1012316					STARTER-GENERATOR	1
2	1015240-01					MOUNTING BRACKET	1
3	1015241					BELT	1
4	1014289					PULLEY	1
5	1012335					ADJUSTING BRACKET	1
6	705					HEX HEAD SCREW, 3/8-16 X 1-1/4	2
7	357					LOCKWASHER, 3/8" DIAMETER	2
8	706					HEX NUT, 3/8-16	2
9	1015331					HEX HEAD SCREW, M8-1.25 X 25MM	2
10	7174					LOCKWASHER, 5/16" DIAMETER	2
11	1016074					TORX HEAD SCREW, M8-1.25 X 18MM	1
12	1015932					ROUND HEAD SQUARE NECK BOLT, 5/16-18 X 1	1
13	1242					HEX NUT, 5/16-18	1
14	1012384					#6 BLACK WIRE ASSEMBLY	1
15	1015920					GROUND WIRE	1
16	7473					NYLON LOCK NUT, 5/16-18	1
17	1241					FLATWASHER, 5/16" DIAMETER	1
18	7173					HEX HEAD CAP SCREW, 5/16-18 X 3/4	1



**STARTER-GENERATOR ASSEMBLY**

ITEM NUMBER	PART NUMBER	DESCRIPTION	UNITS PER VEHICLE
		1 2 3 4	
1	NO #	HEX NUT, M14 X 1.5	1
2	NO #	LOCKWASHER, M14	1
3	1013000	SPACER	1
4	NO #	CROSS-RECESSED SCREW, M5 X 18 WITH LOCKWASHERS AND FLATWASHERS	3
5	1012999	OUTPUT SHAFT END BELL	1
6	1013001	DOUBLE SEALED BALL BEARING	1
7	1013002	BEARING RETAINER	1
8	1013003	KEY	1
9	1013004	ARMATURE ASSEMBLY INCLUDES ITEMS 3, 6, 7, 10 AND ARMATURE	1
10	1013005	DOUBLE SEALED BALL BEARING	1
11	1013006	FRAME ASSEMBLY INCLUDES ITEMS 12 THRU 18 AND FRAME	1
12	NO #	POLE PIECE	4
13	1013009	POLE PIECE SCREW	4
14	1013010	FIELD COIL ASSEMBLY	1
15	1013007	TERMINAL HARDWARE KIT INCLUDES NUTS, LOCKWASHERS AND FLATWASHERS	2
16	NO #	INSULATOR	2
17	1013017	TERMINAL HARDWARE KIT INCLUDES NUTS, LOCKWASHERS AND FLATWASHERS	1
18	NO #	INSULATOR	
19	1013013	CROSSOVER LEAD	2
20	1013011	BRUSH HOLDER	1
21	NO #	SCREW, M5 X 16 WITH LOCKWASHER	2
22	1013014	SCREW, M4 X 10 WITH LOCKWASHER	4
23	1014699	BRUSH PACKAGE INCLUDES 4 BRUSHES	1
24	1013016	BRUSH SPRING	4
25	1012990	TERMINAL HARDWARE KIT INCLUDES NUTS, LOCKWASHERS, FLATWASHERS AND INSULATORS	2
26	1012992	CLAMP BOLT, 6 X 180	2
27	1012993	COMMUTATOR END BELL	1
28	1012991	BRUSH INSPECTION PORT COVER	4



F&R SHIFTER ASSEMBLY

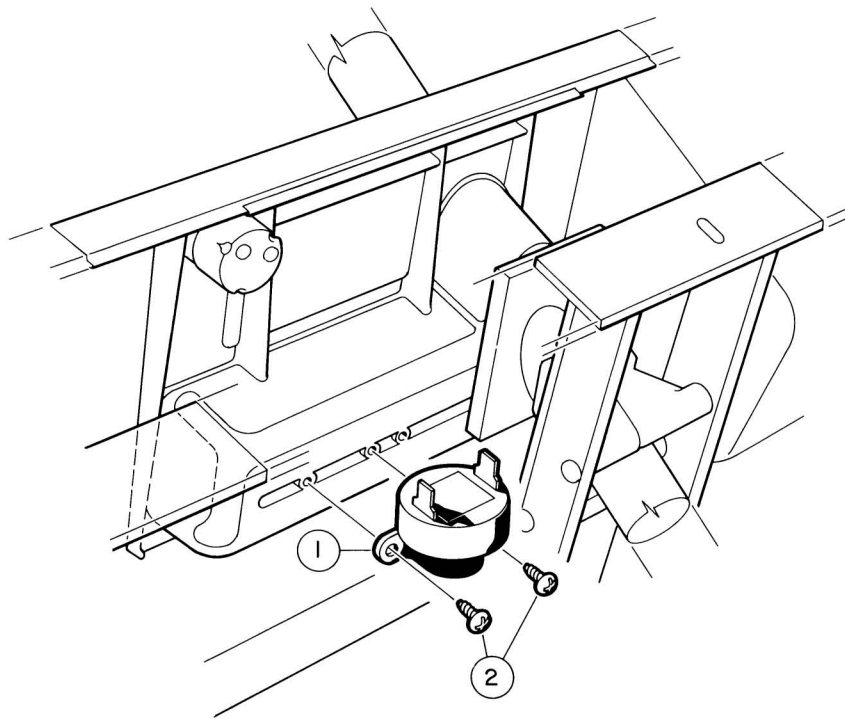


**F&R SHIFTER ASSEMBLY**

**G**

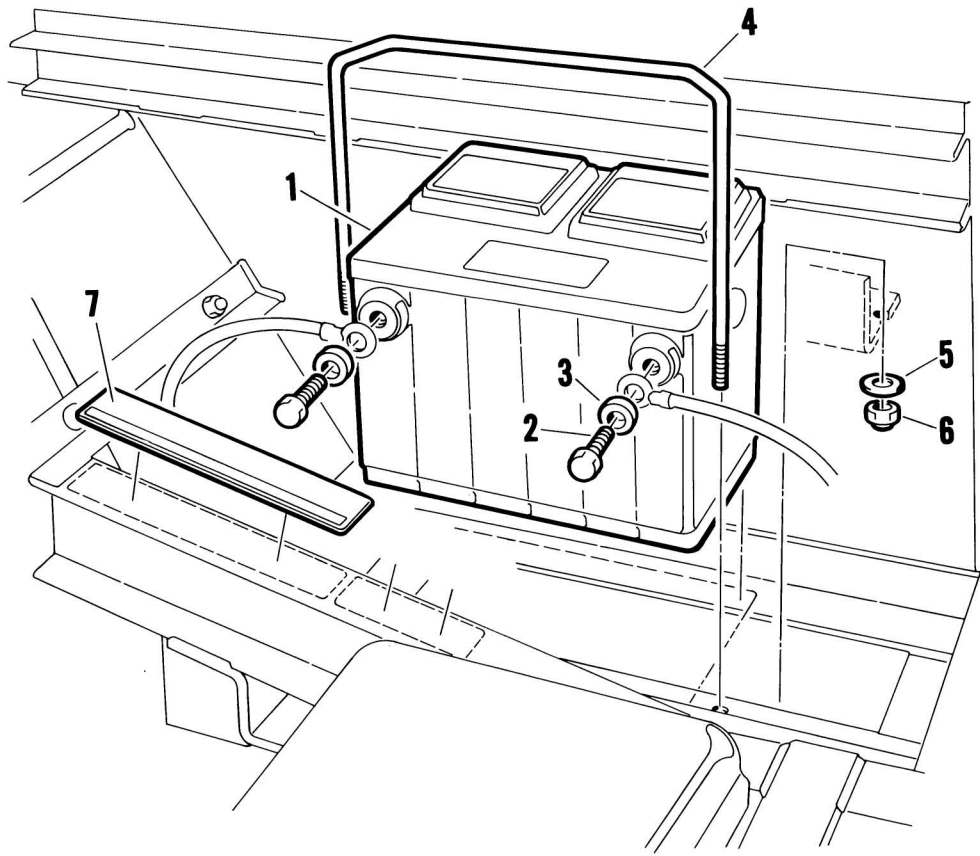
ITEM NUMBER	PART NUMBER	DESCRIPTION	UNITS PER VEHICLE
1	1016947	F&R SHIFTER ASSEMBLY INCLUDES ITEMS 5 THRU 22, 27 AND 28	1
2	1013198	#8-32 PHILLIPS MACHINE SCREW	1
3	1012987	F&R HANDLE	1
4	8248	SCREW, 1/4-20 X 3/4" PHILLIPS HEAD	1
5	1012594	SCREW, #4-40 X 1.00" MACHINE	2
6	8057	NUT, #4-40 UNC HEX	6
7	1012431	FLATWASHER, #4	2
8	1014808	LIMIT SWITCH	1
9	1014807	LIMIT SWITCH	1
10	8058	LOCKWASHER, #4	2
11	1013591	1/8" ROLL PIN	1
12	8233	LOCKNUT, 1/4-20 NYLON	4
13	1014145	BUSHING	2
14	1014727	#4 FLATWASHER (NYLON)	2
15	1016342	F&R SHIFTER BASE	1
16	1014089	NEUTRAL LOCK-OUT CAM KIT INCLUDES ITEM 18	1
17	1013590	SPRING — F&R CAM	1
18	1014065	FLATWASHER-DELRIN	1
19	1013589	RETAINING RING	1
20	8717	LOCKNUT, 1/4-28 NYLON	2
21	1013587	F&R BELL CRANK WELDMENT	1
22	1010954	BALL STUD, 1/4-28 UNF X .25	2
23	1012333	BALL JOINT	2
24	7893	NUT, #10-32 UNF HEX	2
25	1013085	TRANSMISSION SHIFT CABLE INCLUDES ITEMS 23 AND 24	1
26	1016341	TRANSMISSION SHIFT LEVER	1

**5**



**REVERSE BUZZER**

ITEM NUMBER	PART NUMBER	1 2 3 4 DESCRIPTION	UNITS PER VEHICLE
1	1016851	REVERSE BUZZER	1
2	1016849	#4-24 X .330 SCREW PAN HEAD HI-LO	2
3	1016857	WIRE ASSEMBLY (BLACK) (NOT SHOWN)	1



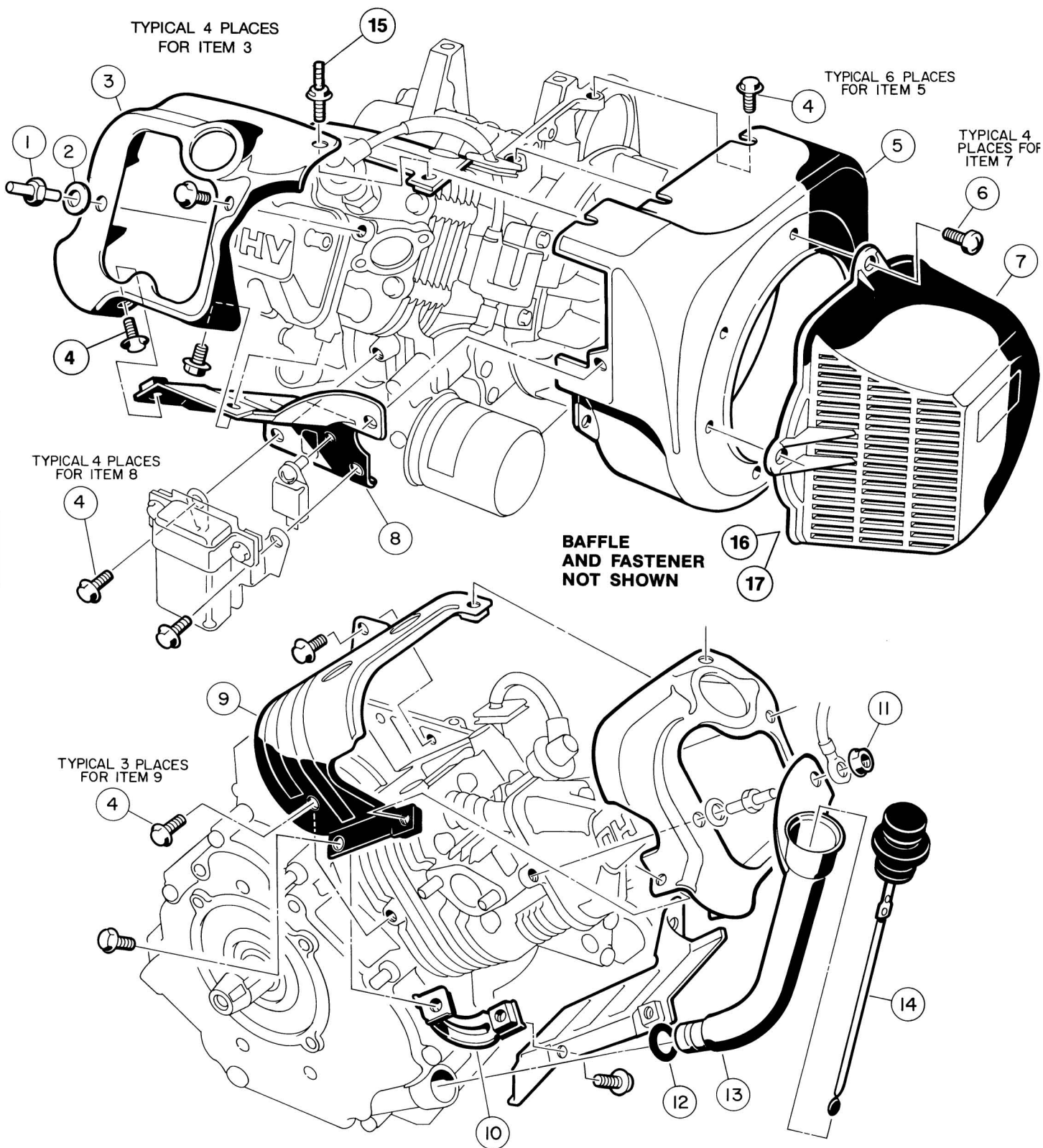
**BATTERY**

ITEM NUMBER	PART NUMBER	DESCRIPTION	UNITS PER VEHICLE
1	1012328	12 VOLT BATTERY	1
2	1014375	HEX HEAD BOLT, SS, 3/8-16 X 1/2	2
3	1014374	SPACER	2
4	1013882	BATTERY HOLD DOWN	1
5	1011931	WIDE FLATWASHER, 1/4" DIAMETER	2
6	8233	NYLON LOCKNUT, 1/4-20	2
7	1015474	FRAME GROUND DECAL	1



## **Section 6**

# **ENGINE**



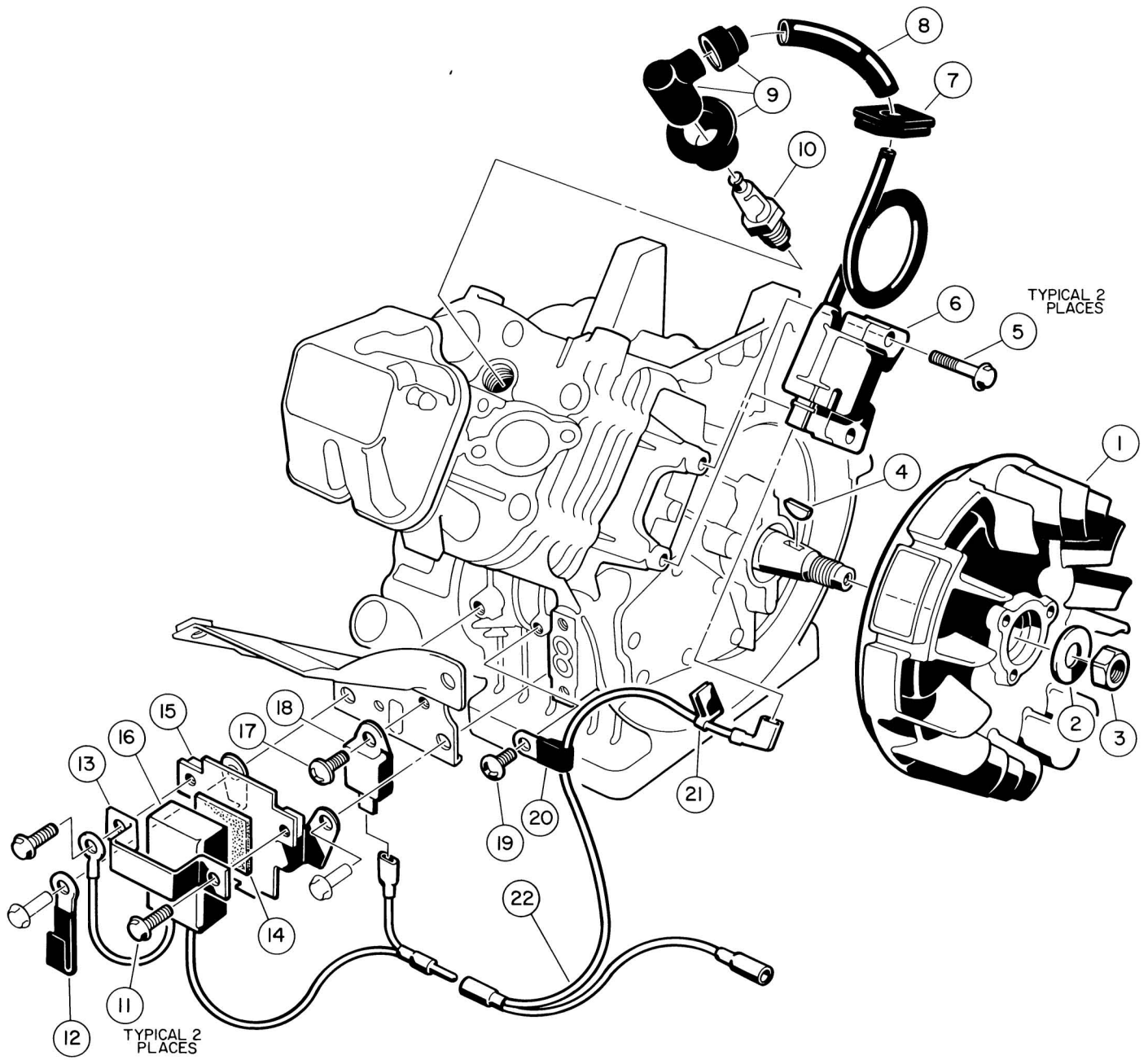
ENGINE

**ENGINE**

**G**

ITEM NUMBER	PART NUMBER	DESCRIPTION	UNITS PER VEHICLE
		1 2 3 4	
	1015731	ENGINE — COMPLETE	
1	1016507	BOLT, 2-ENDED, M6 X 1	1
2	1016512	PLAIN WASHER, 6MM DIAMETER	1
3	1016524	ENGINE SHROUD	1
4	1016456	FLANGED BOLT, M6 X 1 X 12MM LONG	17
5	1016534	FAN HOUSING	1
6	1015969	PAN HEAD SCREW, M6 X 1 X 14MM LONG	4
7	1015649	FAN SHROUD	1
8	1016526	ENGINE SHROUD	1
9	1016525	ENGINE SHROUD	1
10	1016443	BRACKET	1
11	1016547	NUT, M6 X 1	1
12	1016539	O-RING	1
13	1016536	FILLER	1
14	1016531	GAUGE	1
15	1017221	BOLT, 2-ENDED	1
16	1017129	BAFFLE, FAN SHROUD (NOT SHOWN)	1
17	1010434	BARREL FASTENER (BLACK) (NOT SHOWN)	3

**6**

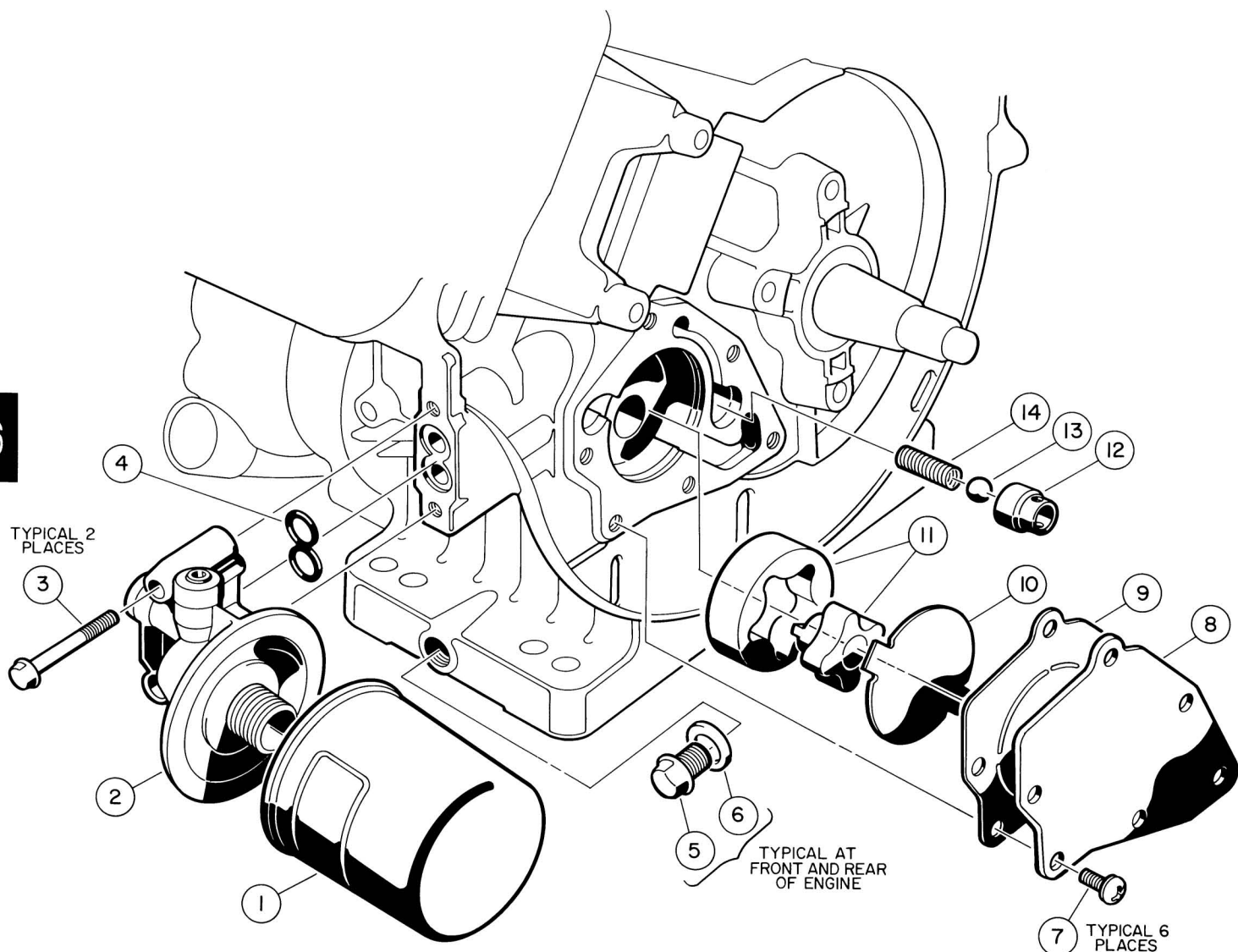


ENGINE



## ENGINE

ITEM NUMBER	PART NUMBER	1 2 3 4				DESCRIPTION	UNITS PER VEHICLE
1	1016495					FLYWHEEL	1
2	1016548					FLATWASHER, 16MM DIAMETER	1
3	1016505					HEX NUT, M16 X 1.5	1
4	1016562					KEY	1
5	1016455					FLANGED BOLT, M5 X 0.8 X 25MM LONG	2
6	1016492					IGNITION COIL	1
7	1016578					GROMMET	1
8	1016588					TUBE	1
9	1016493					PLUG CAP ASSEMBLY	1
10	1016111					SPARK PLUG	1
11	1016456					FLANGED BOLT, M6 X 1.0 X 12MM LONG	2
12	1012978					CLAMP TUBE	1
13	1016579					BAND	1
14	1016586					DAMPER	1
15	1016445					BRACKET	1
16	1016511					RPM LIMITER	1
17	1016497					CROSS PAN HEAD SCREW, M5 X 0.8 X 8MM LONG	1
18	1016491					IGNITER	1
19	1016544					CROSS PAN HEAD SELF TAP SCREW M5 X 12MM LONG	1
20	1016561					CLAMP	1
21	1016587					CLAMP	1
22	1016503					LEAD WIRE	1



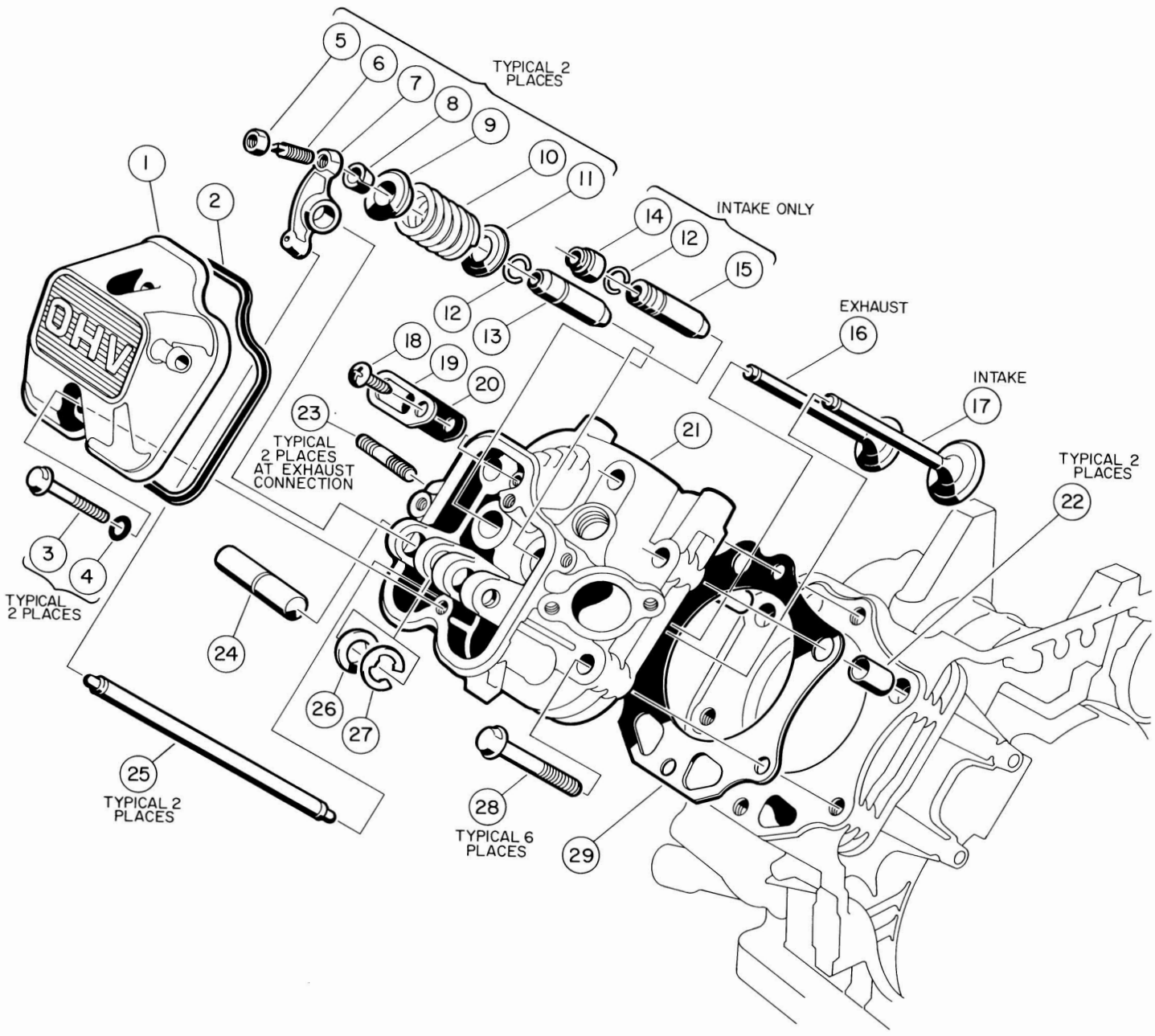
ENGINE

## ENGINE

ITEM NUMBER	PART NUMBER	DESCRIPTION				UNITS PER VEHICLE
		1	2	3	4	
1	1016467	OIL FILTER				1
2	1016502	OIL FILTER BRACKET				1
3	1016457	FLANGED HEX HEAD BOLT, M6 X 1.0 X 40MM LONG				2
4	1016570	O-RING				1
5	1016576	DRAW PLUG				2
6	1016432	GASKET				2
7	1016498	CROSS PAN HEAD SCREW, M6 X 1.0 X 12MM LONG				6
8	1016484	PUMP COVER				1
9	1016435	OIL PUMP GASKET				1
10	1016473	OIL PUMP PLATE				1
11	1016482	PUMP ASSEMBLY — OIL				1
12	1016429	VALVE SEAT				1
13	1016537	STEEL BALL				1
14	1016581	SPRING				1

G

6



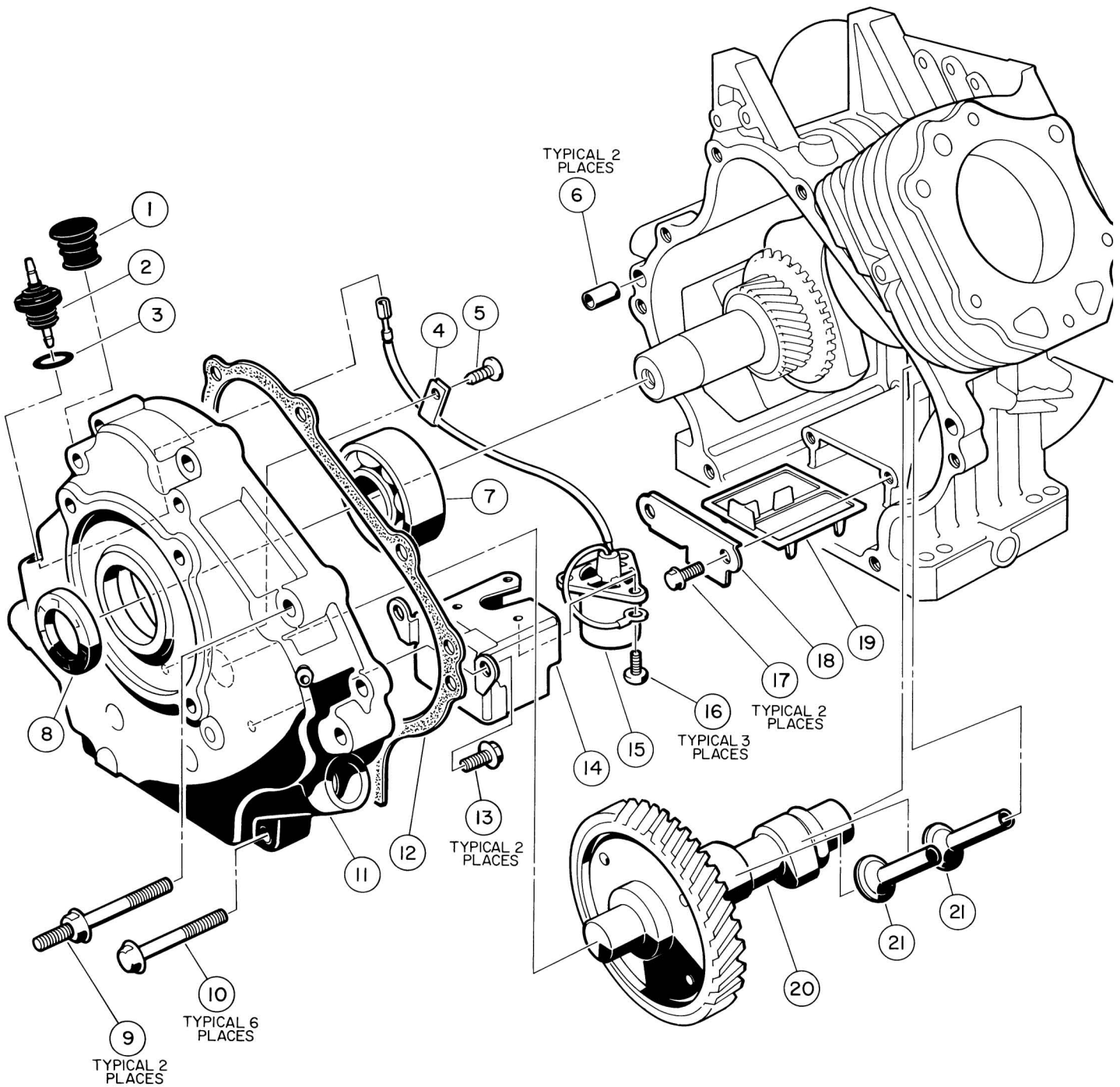
**ENGINE**

## ENGINE

ITEM NUMBER	PART NUMBER	DESCRIPTION				UNITS PER VEHICLE
		1	2	3	4	
1	1016442	ROCKER CASE				1
2	1016436	ROCKER CASE GASKET				1
3	1016583	FLANGED BOLT, M6 X 1.0 X 35MM LONG				2
4	1016569	O-RING				2
5	1016542	SCREW				2
6	1016545	HEX NUT				2
7	1016451	ROCKER ARM				2
8	1016450	COLLET				2
9	1016449	VALVE SPRING RETAINER				2
10	1016523	ENGINE VALVE SPRING				2
11	1016479	SPRING SEAT				2
12	1016560	SNAP RING				2
13	1016518	VALVE GUIDE (EXHAUST)				2
14	1016566	OIL SEAL				1
15	1016519	VALVE GUIDE (INTAKE)				1
16	1016448	EXHAUST VALVE				1
17	1016447	INTAKE VALVE				1
18	1016544	SCREW				1
19	1016474	PLATE				1
20	1016483	VALVE				1
21	1016431	CYLINDER HEAD				1
		INCLUDES ITEMS 12, 13 AND 15				1
22	1016563	PIN				2
23	1016489	STUD BOLT				2
24	1016452	ROCKER SHAFT				1
25	1016471	PUSH ROD				2
26	1016549	WASHER				1
27	1016517	TYPE-E CIRCLIP				1
28	1016458	FLANGED BOLT, M8 X 1.25 X 45MM LONG				6
29	1016430	HEAD GASKET				1

G

6



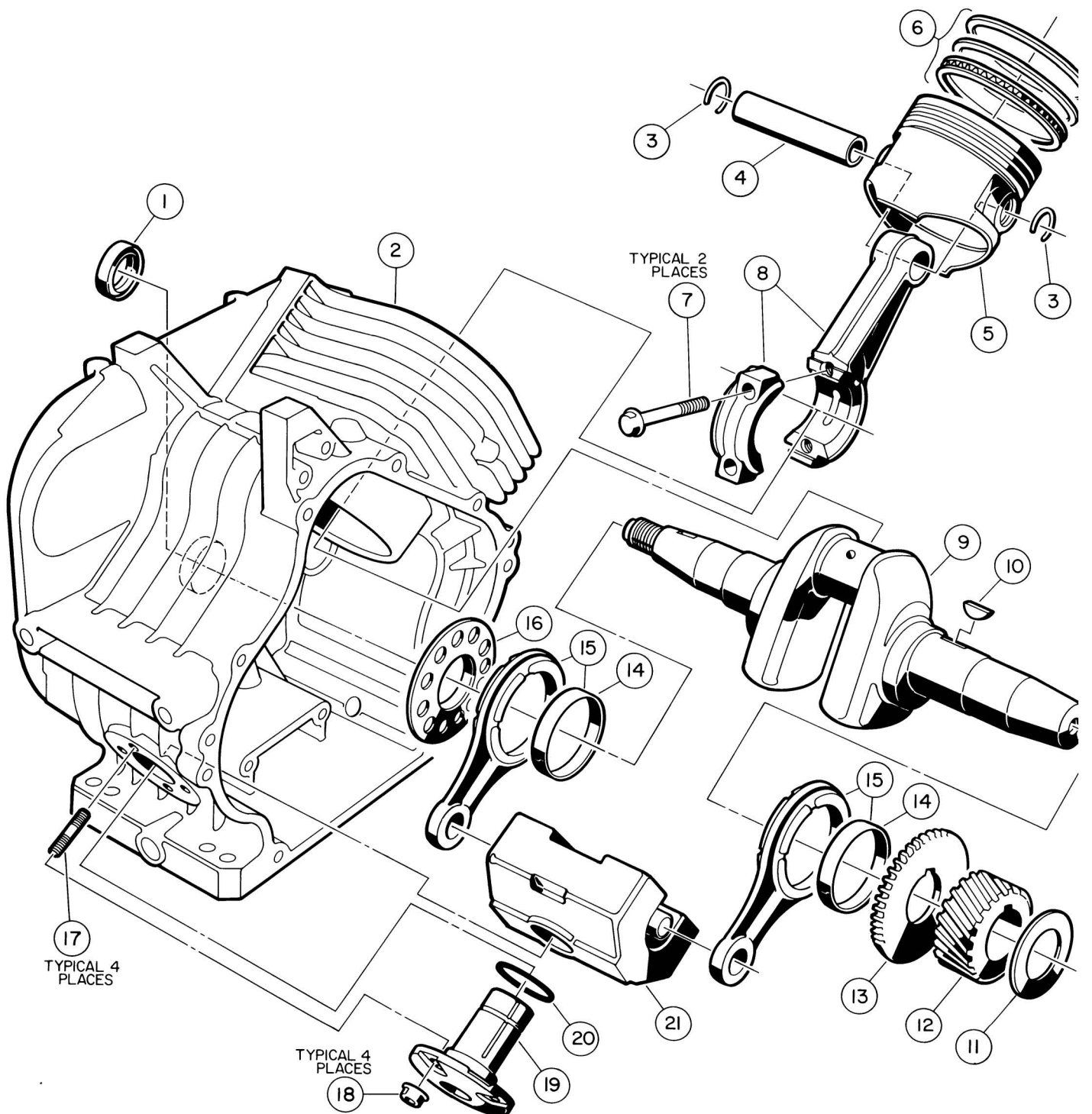
ENGINE

## ENGINE

G

ITEM NUMBER	PART NUMBER	DESCRIPTION	UNITS PER VEHICLE
		1 2 3 4	
1	1016596	PLUG	1
2	1016535	CORD CONNECTOR	1
3	1016538	O-RING	1
4	1016506	CLAMP	1
5	1016544	CROSS PAN HEAD SELF TAPPING SCREW, 5MM DIAMETER X 12MM LONG	1
6	1016564	PIN	2
7	1016565	BALL BEARING	1
8	1016567	OIL SEAL	1
9	1016584	FLANGED 2-ENDED BOLT, M8 X 1.25	2
10	1016458	FLANGED BOLT, M8 X 1.25	6
11	1016520	CRANKCASE COVER	1
12	1016446	CRANKCASE COVER GASKET	1
13	1016456	FLANGED BOLT, M5 X 1.0 X 12MM LONG	2
14	1016510	SWITCH BRACKET	1
15	1016494	SENSOR	1
16	1016496	CROSS PAN HEAD SCREW, M4 X 0.7 X 8MM LONG	3
17	1016454	FLANGED BOLT, M5 X 0.8 X 8MM LONG	2
18	1016472	OIL FILTER PLATE	1
19	1016521	OIL FILTER	1
20	1016528	CAMSHAFT	1
21	1016453	TAPPET	2

6



ENGINE



## ENGINE

G

ITEM NUMBER	PART NUMBER	1	2	3	4	DESCRIPTION	UNITS PER VEHICLE
1	1016568					OIL SEAL	1
2	1016529					CRANKCASE	1
3	1016558					SNAP RING	2
4	1016460					PISTON PIN	1
5	1016459-01					PISTON — STANDARD	1
5	1016459-02					PISTON — .25MM OVERSIZE	1
5	1016459-03					PISTON — .50MM OVERSIZE	1
5	1016459-04					PISTON — .75MM OVERSIZE	1
6	1016461-01					PISTON RING — STANDARD	1
6	1016461-02					PISTON RING — .25MM OVERSIZE	1
6	1016461-03					PISTON RING — .50MM OVERSIZE	1
6	1016461-04					PISTON RING — .75MM OVERSIZE	1
7	1016509					BOLT	2
8	1016475-01					CONNECTING ROD ASSEMBLY — STANDARD INCLUDES 2 EACH ITEM 7	1
8	1016475-02					CONNECTING ROD ASSEMBLY — .50MM UNDERSIZE INCLUDES 2 EACH ITEM 7	1
9	1016468					CRANKSHAFT INCLUDES 1 EACH ITEMS 10, 12, 13 AND 15	1
10	1016562					KEY	1
11	1016550					SHIM	1
12	1016533					HELICAL GEAR	1
13	1016532					SPUR GEAR	1
14	1016580					PLAIN BEARING	2
15	1016516					CONNECTING ROD ASSEMBLY INCLUDES ITEM 14	2
16	1016559					SPACER	1
17	1016541					STUD M6 X 1.0	4
18	1016547					FLANGED NUT M6 X 1.0	4
19	1016420					SHAFT	1
20	1016571					O-RING	1
21	1016469					WEIGHT	1

6

