

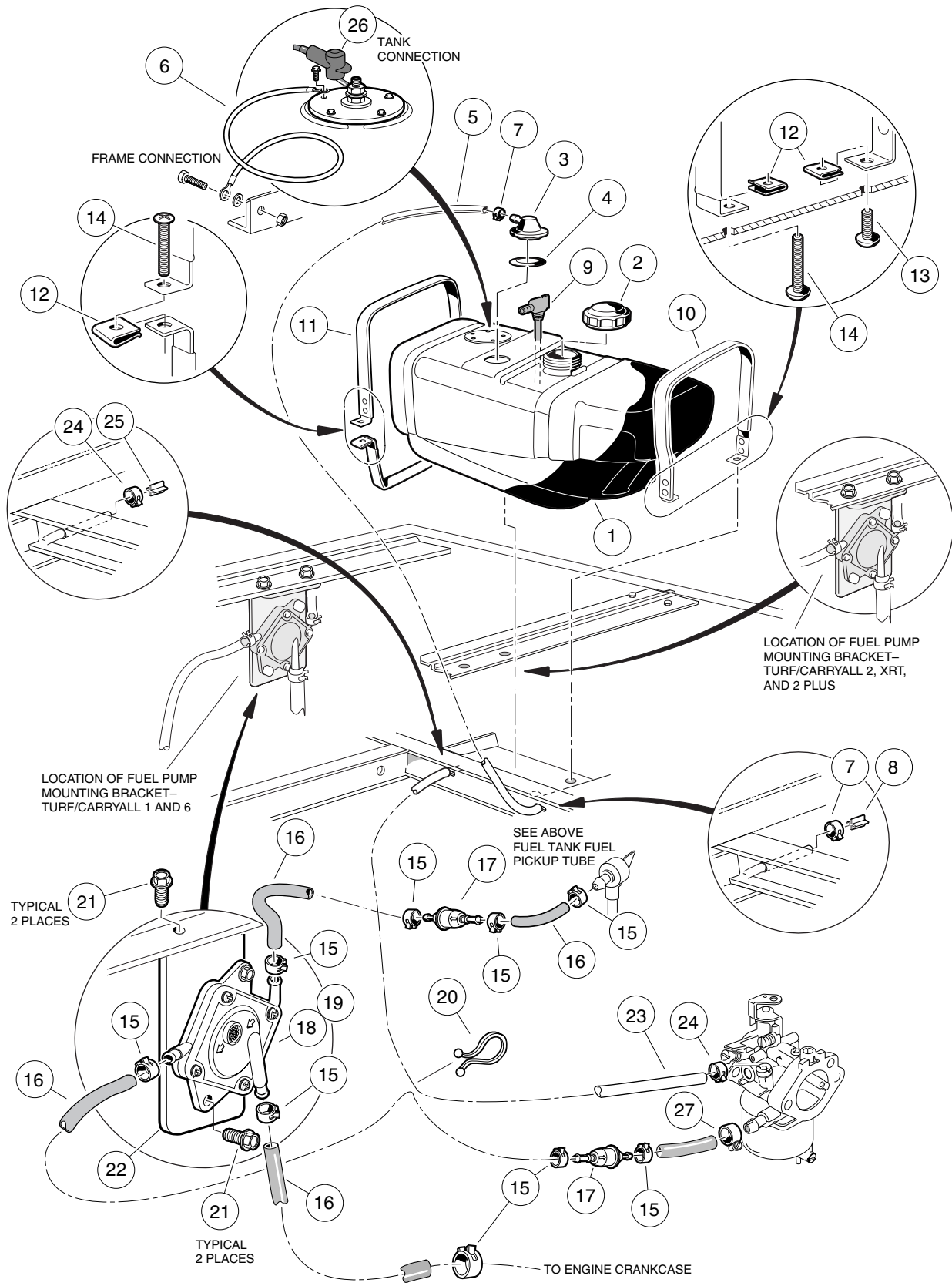
# FUEL, INTAKE, AND GOVERNOR SYSTEMS

---

8

G

E

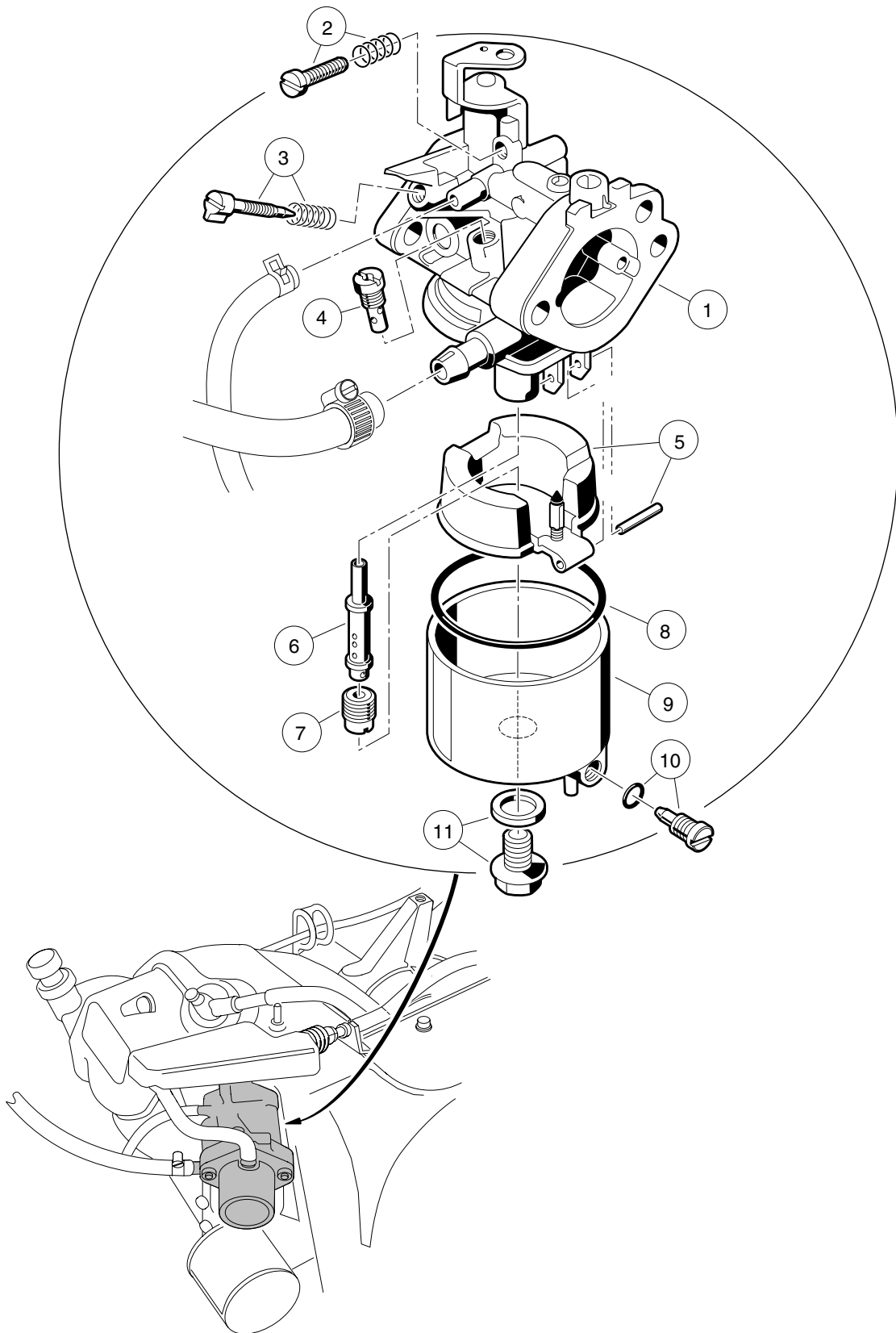


# FUEL SYSTEM

ITEM	PART NO.	DESCRIPTION	QTY
		1 2 3 4	
1	1016004	Kit, Fuel Tank, Unit (includes items 2 - 9) .....	1
2	1015188	Cap, Fuel Tank, Nonvented .....	1
3	1015143	Assembly, Fuel Tank Vent .....	1
4	1015139	Grommet, Insulation .....	1
5	1015137	Line, Bulk Vent (available by the foot) .....	A/R
6	N/A	Wire Assembly, #16 Black .....	1
7	1013746	Clamp, Hose (gray) .....	2
8	101824401	Barb, Vent .....	1
9	101896901	Valve, Fuel Pickup Tube with Shut-Off .....	1
10	1014928	Assembly, Rear Fuel Strap .....	1
11	101955301	Assembly, Front Fuel Strap .....	1
12	1014116	Nut, U-Type Speed, 1/4-20 .....	3
13	8248	Screw, Phillips Truss-Head, 1/4-20 x 3/4 .....	1
14	1011988	Screw, Phillips Truss-Head, 1/4-20 x 2 .....	2
15	1012649	Clamp, Hose (red) .....	9
16	1013692	Line, Bulk Fuel (available by the foot)* .....	A/R
17	102003201	Filter, Fuel .....	2
18	1014523	Pump, Fuel Impulse .....	1
19	1014524	Kit, Rebuild, Fuel Impulse Pump .....	A/R
20	101987701	Clamp, Plastic .....	1
21	1012285	Screw, Thread-Rolling, 1/4-20 x 5/8 .....	4
22	101929501	Bracket, Fuel Pump Mounting .....	1
23	1015137	Line, Bulk Vent (available by the foot) .....	A/R
24	1013746	Clamp, Hose (gray) .....	2
25	101824401	Barb, Vent .....	1
26	N/A	Boot, Rubber .....	1
27	1013687	Clamp, Hose (screw type) .....	1
		<p>*Total fuel line lengths:                      Turf/Carryall 1 and 6 – 43 inches (109.2 cm)                      Turf/Carryall 2, 2 Plus, and XRT – 48 inches (121.9 cm)</p>	

8  
G  
E

**8**  
**G**  
**E**

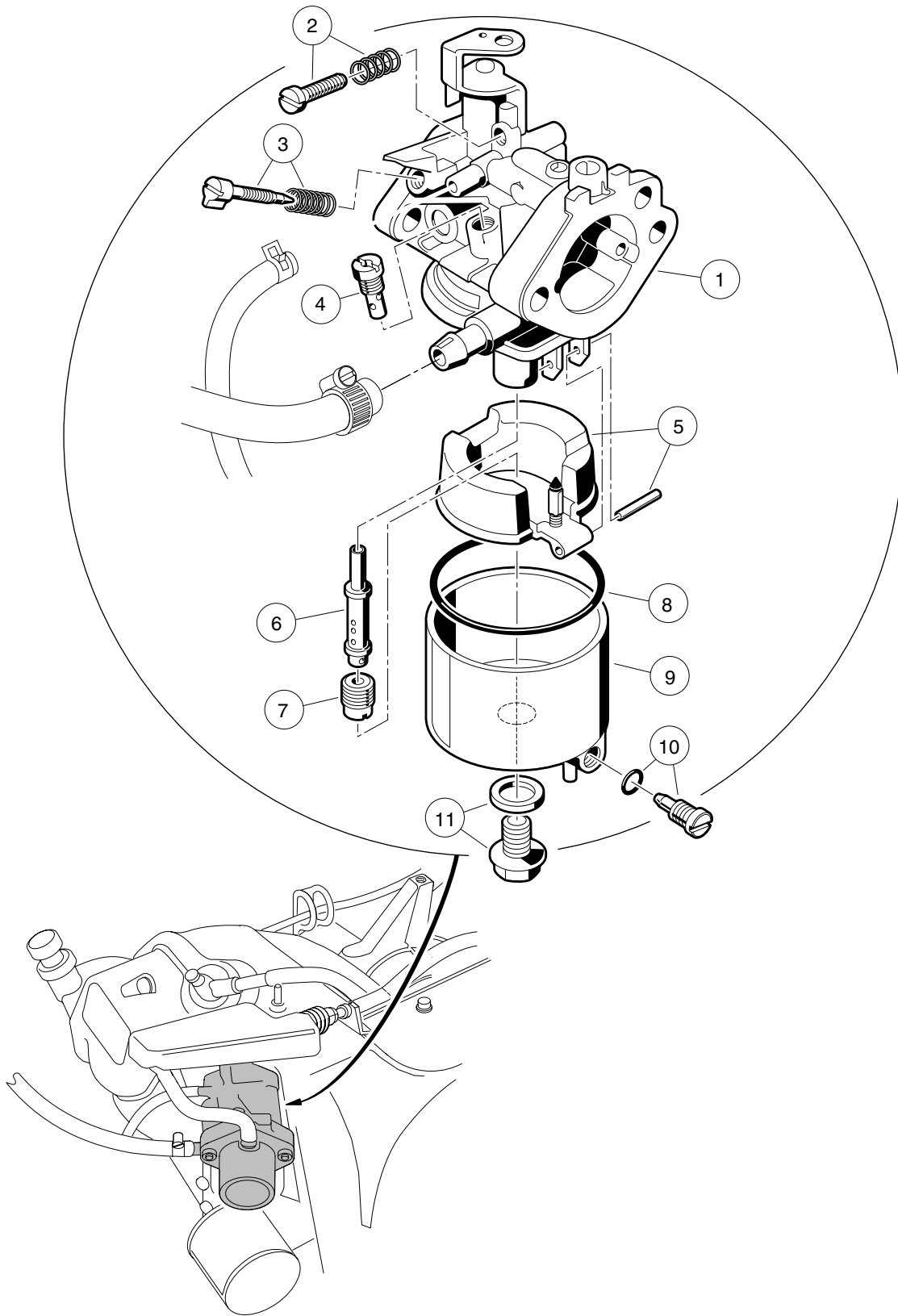


# CARBURETOR ASSEMBLY, FE290 ENGINE – TURF/CARRYALL 1

ITEM	PART NO.	DESCRIPTION	QTY
		1 2 3 4	
1	101905601	Assembly, Carburetor (includes items 2 - 11) .....	1
2	1016501	Assembly, Idle Screw .....	1
3	N/A	Assembly, Pilot Air Screw .....	1
4	101973101	Jet, Pilot, #40 .....	1
5	1016486	Assembly, Float .....	1
6	101973201	Nozzle, Main .....	1
		Standard Jetting:	
7	101642582	Jet, Main, 0 - 3,000 feet .....	1
7	101642580	Jet, Main, 3,000 - 5,000 feet .....	A/R
7	101642578	Jet, Main, 5,000 - 8,000 feet .....	A/R
7	101642575	Jet, Main, 8,000 - 10,000 feet .....	A/R
7	101642572	Jet, Main, 10,000 Feet and Above .....	A/R
8	1016437	Gasket, Float Chamber .....	1
9	1017461	Assembly, Float Chamber (includes item 10) .....	1
10	1016499	Assembly, Screw .....	1
11	1016585	Assembly, Bolt .....	1

**8**  
**G**  
**E**

**8**  
**G**  
**E**

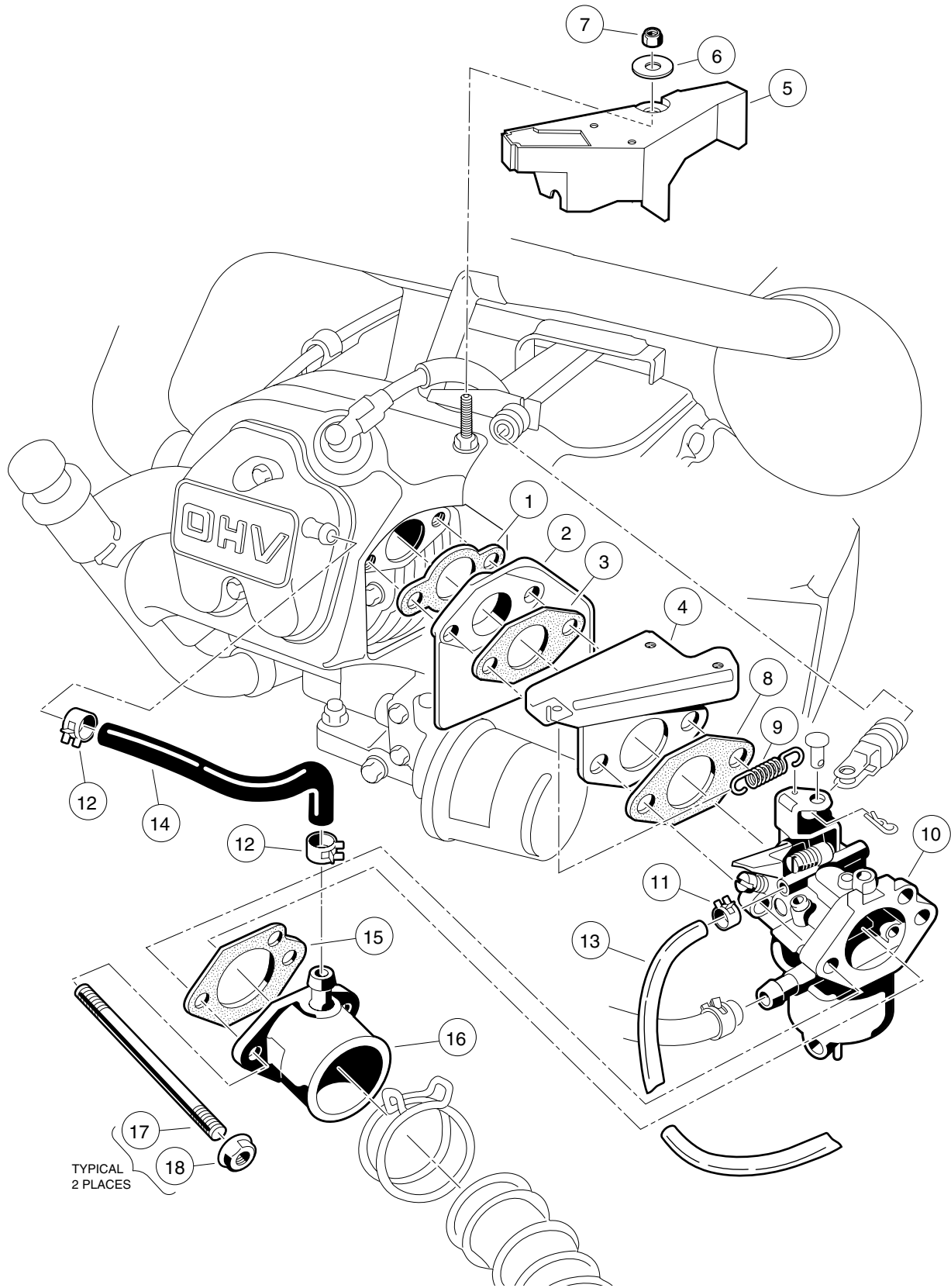


# CARBURETOR ASSEMBLY, FE350 ENGINE – TURF/CARRYALL 2, XRT, 2 PLUS, AND 6

ITEM	PART NO.	DESCRIPTION	QTY
		1 2 3 4	
1	101905901	Assembly, Carburetor (includes items 2 - 11) .....	1
2	1016501	Assembly, Idle Screw .....	1
3	N/A	Assembly, Pilot Air Screw .....	1
4	101973101	Jet, Pilot, #40 .....	1
5	1016486	Assembly, Float .....	1
6	101973301	Nozzle, Main .....	1
		Standard Jetting:	
7	101642585	Jet, Main, 0 - 3,000 Feet .....	1
7	101642582	Jet, Main, 3,000 - 5,000 Feet .....	A/R
7	101642580	Jet, Main, 5,000 - 8,000 Feet .....	A/R
7	101642578	Jet, Main, 8,000 - 10,000 Feet .....	A/R
7	101642575	Jet, Main, 10,000 Feet and Above .....	A/R
8	1016437	Gasket, Float Chamber .....	1
9	1017461	Assembly, Float Chamber (includes item 10) .....	1
10	1016499	Assembly, Screw .....	1
11	1016585	Assembly, Bolt .....	1

**8**  
**G**  
**E**

**8**  
**G**  
**E**

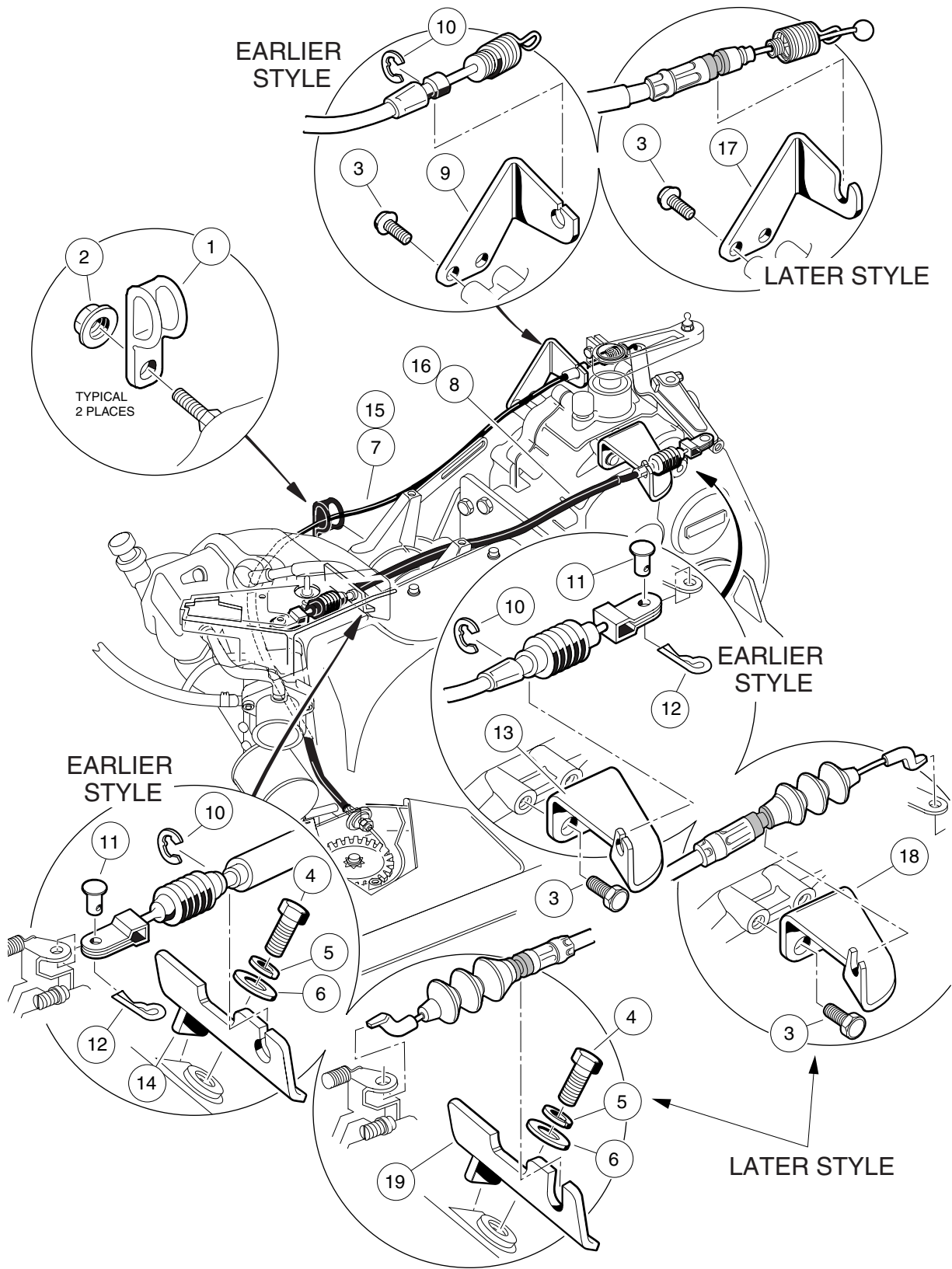




# CARBURETOR INSTALLATION

ITEM	PART NO.	DESCRIPTION	QTY
		1 2 3 4	
1	1016440	Gasket, Insulator .....	1
2	101648102	Insulator, Carburetor .....	1
3	1016439	Gasket, Carburetor Insulator to Throttle Bracket (Turf/Carryall 1 and 2) .....	1
3	101973401	Gasket, Carburetor Insulator to Throttle Bracket (Turf/Carryall 2 XRT, 2 Plus and 6) .....	1
4	1016444	Bracket, Throttle .....	1
5	101820201	Guard, Governor (Turf/Carryall 1) .....	1
6	1011697	Washer, Flat, 5/16 (Turf/Carryall 1) .....	1
7	101887601	Nut, Nylon Lock, M6 x 1 (Turf/Carryall 1) .....	1
8	1016441	Gasket, Throttle Bracket To Carburetor .....	1
9	1016582	Spring, Throttle Return .....	1
10	101905601	Assembly, Carburetor (Turf/Carryall 1 and 2) .....	1
10	101905901	Assembly, Carburetor (Turf/Carryall 2 XRT, 2 Plus and 6) .....	1
11	1013746	Clamp, Hose (gray) .....	1
12	1017466	Clamp, Hose (bronze) .....	2
13	1015137	Line, Bulk Vent .....	A/R
14	1016572	Tube, Crankcase Vent .....	1
15	1016438	Gasket, Carburetor to Intake Manifold .....	1
16	1016480	Pipe, Intake .....	1
17	101649002	Screw, 2-Ended Stud, M6 x 1 x 90 mm .....	2
18	1016547	Nut, Flanged, M6 x 1 .....	2

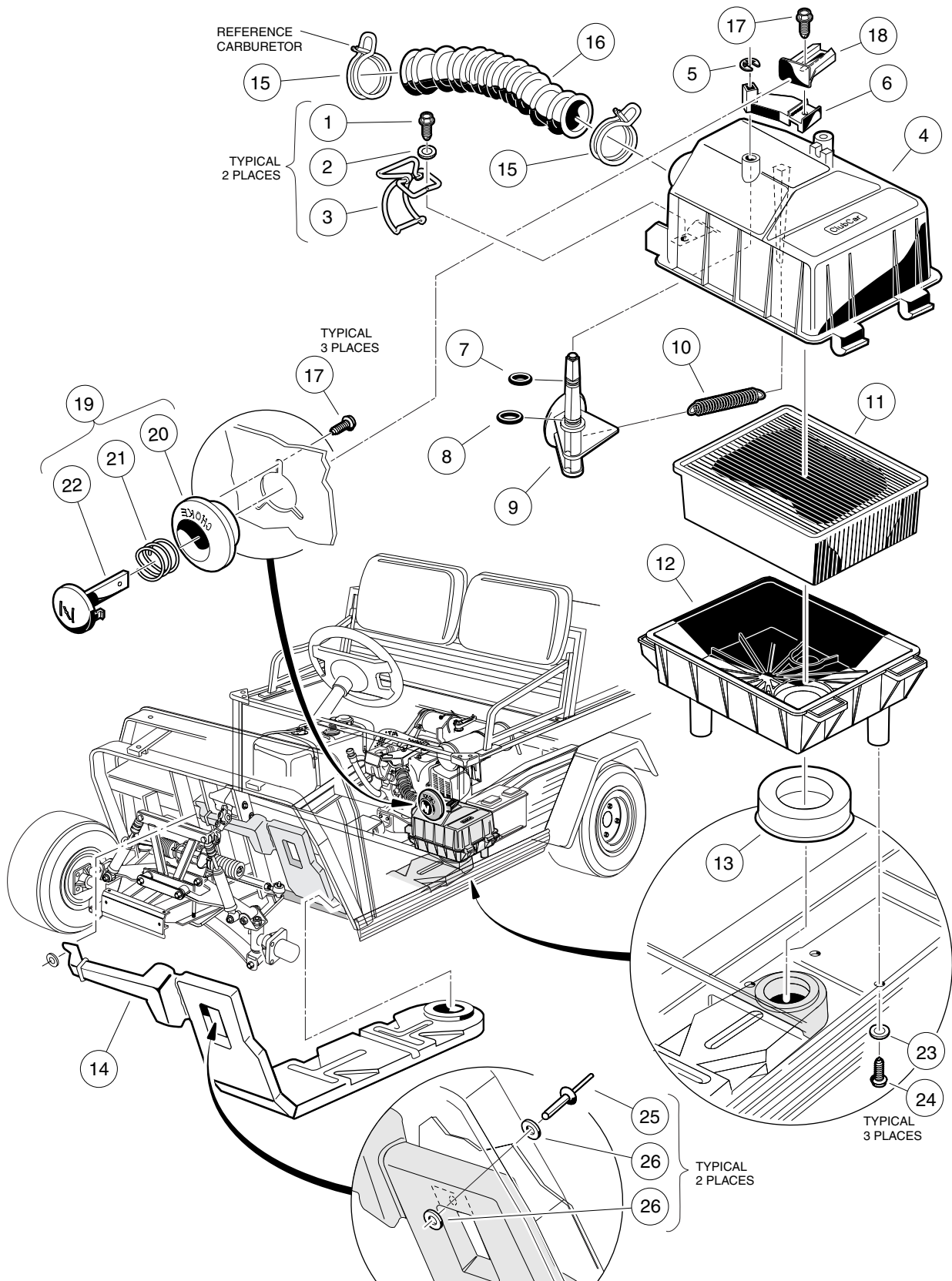
**8**  
**G**  
**E**



# GOVERNOR AND ACCELERATOR CABLES

ITEM	PART NO.	DESCRIPTION	QTY
		1 2 3 4	
1	1013700	Clamp, Cable Retaining .....	2
2	1016546	Nut, Flanged Hex, M8 x 1.25 .....	2
3	1012285	Screw, Thread Rolling, 1/4-20 x 5/8 .....	4
4	101903501	Screw, Hex-Head Cap, M8 x 1.25 x 24 mm .....	1
5	7174	Washer, Lock, 5/16 .....	1
6	1011697	Washer, Flat, 5/16 .....	1
		Earlier style cables (2001, 2002, and early 2003 models)*:	
7	101832501	Cable, Accelerator .....	1
8	101832401	Cable, Governor (Turf/Carryall 1) .....	1
8	101832402	Cable, Governor (Turf/Carryall 2, XRT, 2 Plus and 6) .....	1
9	101832301	Bracket, Accelerator Support .....	1
10	1016202	E-Ring .....	3
11	1015408	Pin, Governor Cable Clevis .....	2
12	1014413	Pin, Hair Spring Cotter, 1/8 I.D. x 5/8 .....	2
13	101832201	Bracket, Support .....	1
14	1015845	Bracket, Governor Cable Engine .....	1
		Later style cables (beginning mid-model year 2003)*:	
15	102336101	Cable, Accelerator, Snap-in .....	1
16	102336001	Cable, Governor, Snap-in .....	1
17	101832302	Bracket, Accelerator Support .....	1
18	101832202	Bracket, Support .....	1
19	101584502	Bracket, Governor Cable Engine.....	1
		* Brackets and cables must be of the same style.	

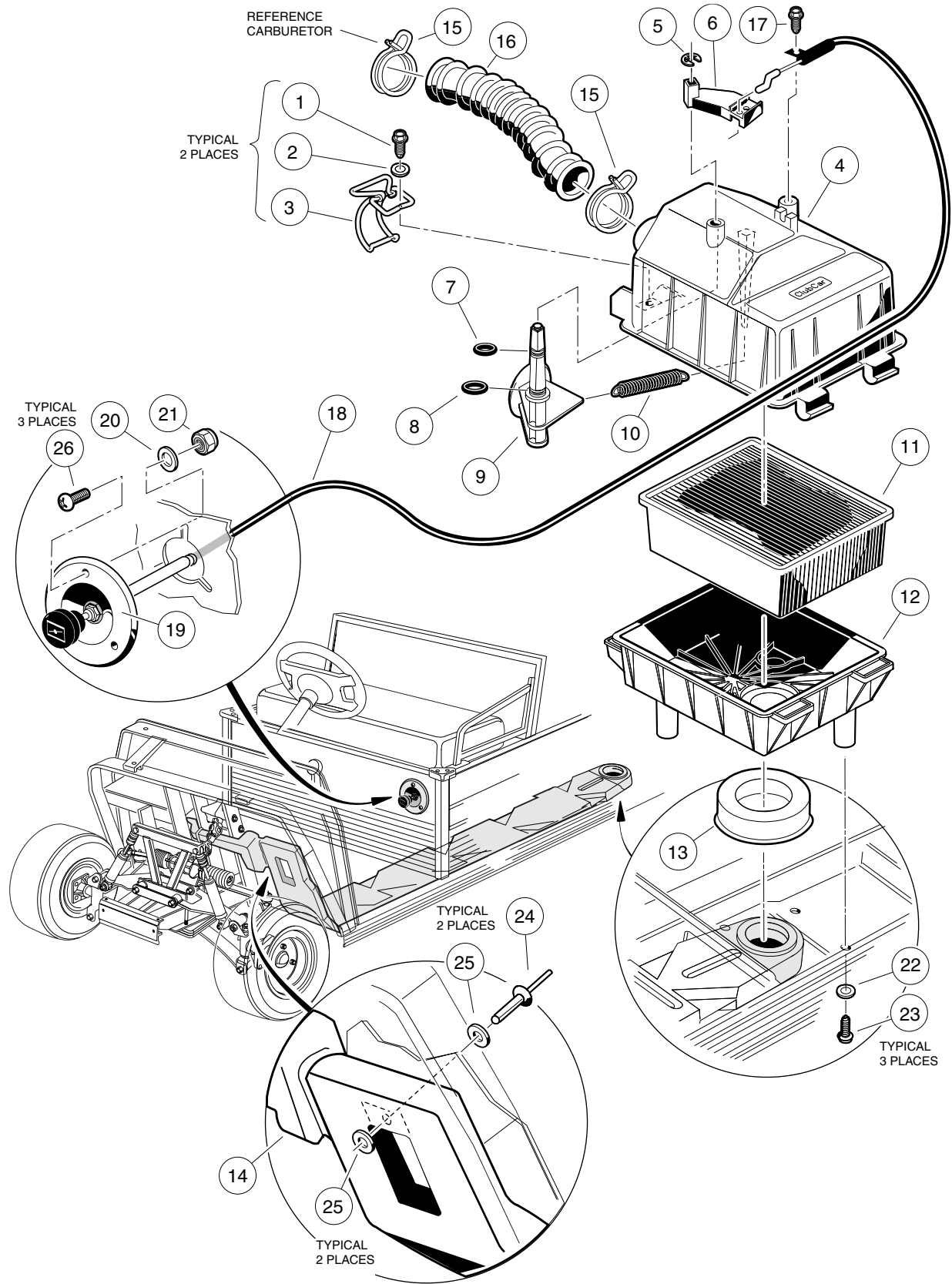
8  
G  
E



# INTAKE DUCT, CHOKE, AND AIR BOX ASSEMBLY – TURF/CARRYALL 1

ITEM	PART NO.	DESCRIPTION	QTY
		1 2 3 4	
	101821501	Assembly, Air Box (includes items 1 - 13) .....	1
1	101804301	Screw, Hi-Lo Hex-Head, #8-1/2 .....	2
2	101881701	Washer, Stainless Steel, #8 .....	2
3	101925701	Latch, Wire .....	2
4	101972801	Assembly, Air Box Top (includes items 5 - 10) .....	1
5	101813001	E-Clip .....	1
6	101917601	Lever, Choke .....	1
7	N/A	O-Ring, 5/16 (red) .....	1
8	N/A	O-Ring, 3/8 (green) .....	1
9	N/A	Valve, Choke .....	1
10	101812301	Spring, Return .....	1
11	1015426	Filter, Air .....	1
12	101811901	Bottom, Air Box .....	1
13	101921501	Seal, Intake .....	1
14	101958101	Assembly, Air Duct .....	1
15	101971301	Clamp, Hose (air intake) .....	2
16	101837101	Hose, Intake .....	1
17	101850301	Screw, Hi-Lo, #12 x 1/2 .....	4
18	101917701	Positioner, Choke .....	1
19	101805701	Assembly, Choke Button (includes items 20, 21 and 22) .....	1
20	101811501	Guide, Choke Lever .....	1
21	101856201	Spring, Compression .....	1
22	101811401	Lever, Choke .....	1
23	332	Washer, Flat, 1/4 .....	3
24	1015752	Screw, Hi-Lo, #12-16 x 5/8 .....	3
25	1606	Rivet, Pop, 3/16 .....	2
26	183	Washer, Flat, #10 .....	4
	101971001	Kit, Air Duct Repair (not shown) .....	A/R

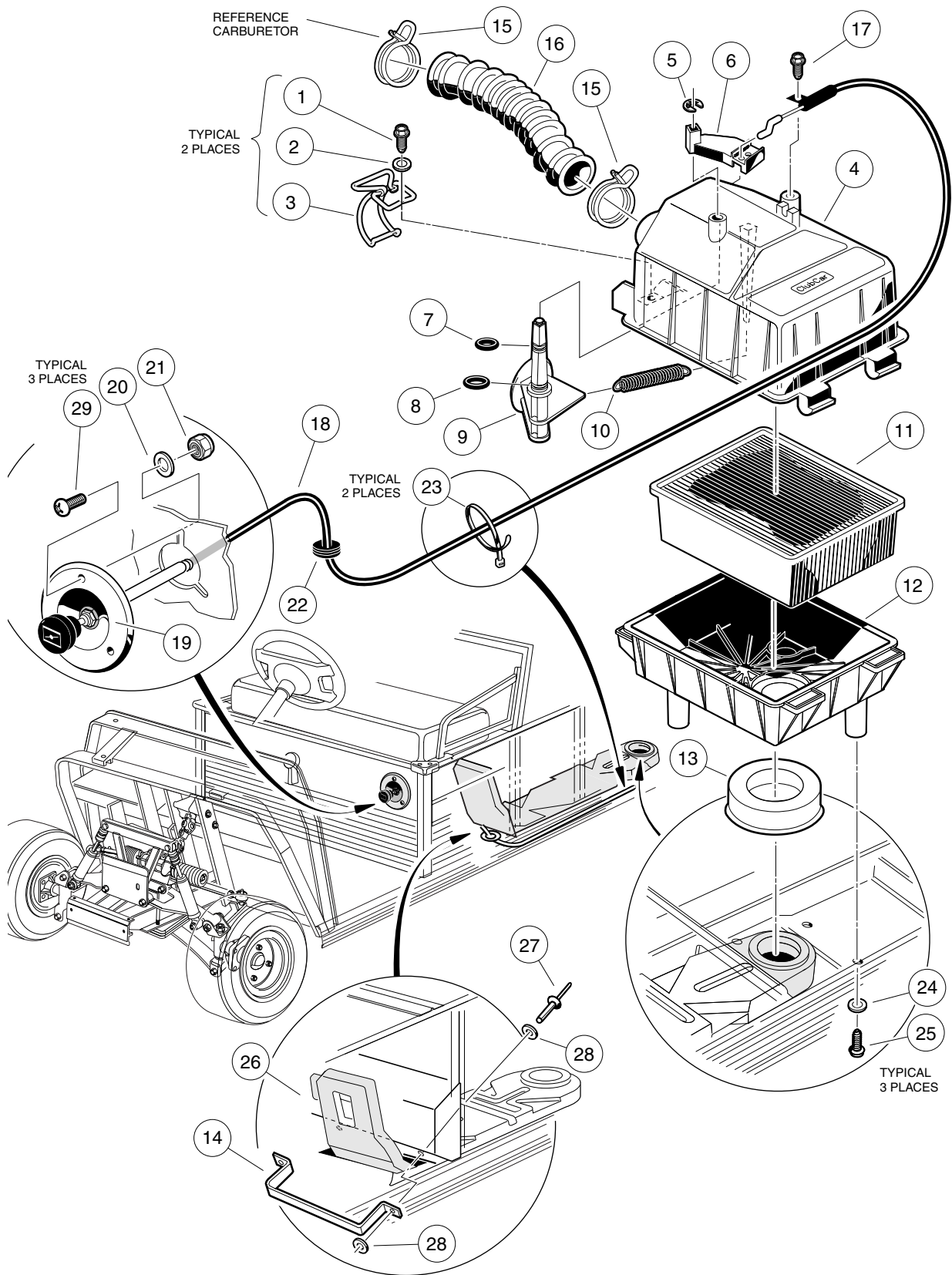
**8**  
**G**  
**E**



# INTAKE DUCT, CHOKE, AND AIR BOX ASSEMBLY – TURF/CARRYALL 2, XRT, AND 2 PLUS

ITEM	PART NO.	DESCRIPTION	QTY
		1 2 3 4	
	101821501	Assembly, Air Box (includes items 1 - 13) .....	1
1	101804301	Screw, Hi-Lo Hex-Head, #8-1/2 .....	2
2	101881701	Washer, Stainless Steel, #8 .....	2
3	101925701	Latch, Wire .....	2
4	101972801	Assembly, Air Box Top (includes items 5 - 10) .....	1
5	101813001	E-Clip .....	1
6	101917601	Lever, Choke .....	1
7	N/A	O-Ring, 5/16 (red) .....	1
8	N/A	O-Ring, 3/8 (green) .....	1
9	N/A	Valve, Choke .....	1
10	101812301	Spring, Return .....	1
11	1015426	Filter, Air .....	1
12	101811901	Bottom, Air Box .....	1
13	101921501	Seal, Intake .....	1
14	101958102	Assembly, Air Duct .....	1
15	101971301	Clamp, Hose (air intake) .....	2
16	101837101	Hose, Intake .....	1
17	101804301	Screw, Hex-Head Hi-Lo, #8 x 1/2 .....	1
18	101926801	Cable, Choke (includes item 19) .....	1
19	101933701	Bezel, Choke Cable .....	1
20	183	Washer, #10 .....	3
21	1012438	Nut, Nylon Lock, #10-24 .....	3
22	332	Washer, Flat, 1/4 .....	3
23	1015752	Screw, Hi-Lo, #12-16 x 5/8 .....	3
24	1606	Rivet, Pop, 3/16 .....	2
25	183	Washer, Flat, #10 .....	4
26	1631	Screw, Pan-Head, #10-24 x 3/4 .....	3

**8**  
**G**  
**E**





# INTAKE DUCT, CHOKE, AND AIR BOX ASSEMBLY – TURF/CARRYALL 6

ITEM	PART NO.	DESCRIPTION	QTY
		1 2 3 4	
	101821501	Assembly, Air Box (includes items 1 - 13) .....	1
1	101804301	Screw, Hi-Lo Hex-Head, #8-1/2 .....	2
2	101881701	Washer, Stainless Steel, #8 .....	2
3	101925701	Latch, Wire .....	2
4	101972801	Assembly, Air Box Top (includes items 5 - 10) .....	1
5	101813001	E-Clip .....	1
6	101917601	Lever, Choke .....	1
7	N/A	O-Ring, 5/16 (red) .....	1
8	N/A	O-Ring, 3/8 (green) .....	1
9	N/A	Valve, Choke .....	1
10	101812301	Spring, Return .....	1
11	1015426	Filter, Air .....	1
12	101811901	Bottom, Air Box .....	1
13	101921501	Seal, Intake .....	1
14	101825701	Bracket, Retaining .....	1
15	101971301	Clamp, Hose (air intake) .....	2
16	101837101	Hose, Intake .....	1
17	101804301	Screw, Hex-Head Hi-Lo, #8 x 1/2 .....	1
18	101926802	Cable, Choke (includes item 19) .....	1
19	101933701	Bezel, Choke Cable .....	1
20	183	Washer, #10 .....	3
21	1012438	Nut, Nylon Lock, #10-24 .....	3
22	1015139	Grommet .....	1
23	8168	Tie, Wire .....	2
24	332	Washer, Flat, 1/4 .....	3
25	1015752	Screw, Hi-Lo, #12-16 x 5/8 .....	3
26	101811301	Duct, Air .....	1
27	7973	Rivet, Pop, 3/16 .....	2
28	183	Washer, Flat, #10 .....	4
29	1631	Screw, Pan-Head, #10-24 x 3/4 .....	3

**8**  
**G**  
**E**

**8**

**G**

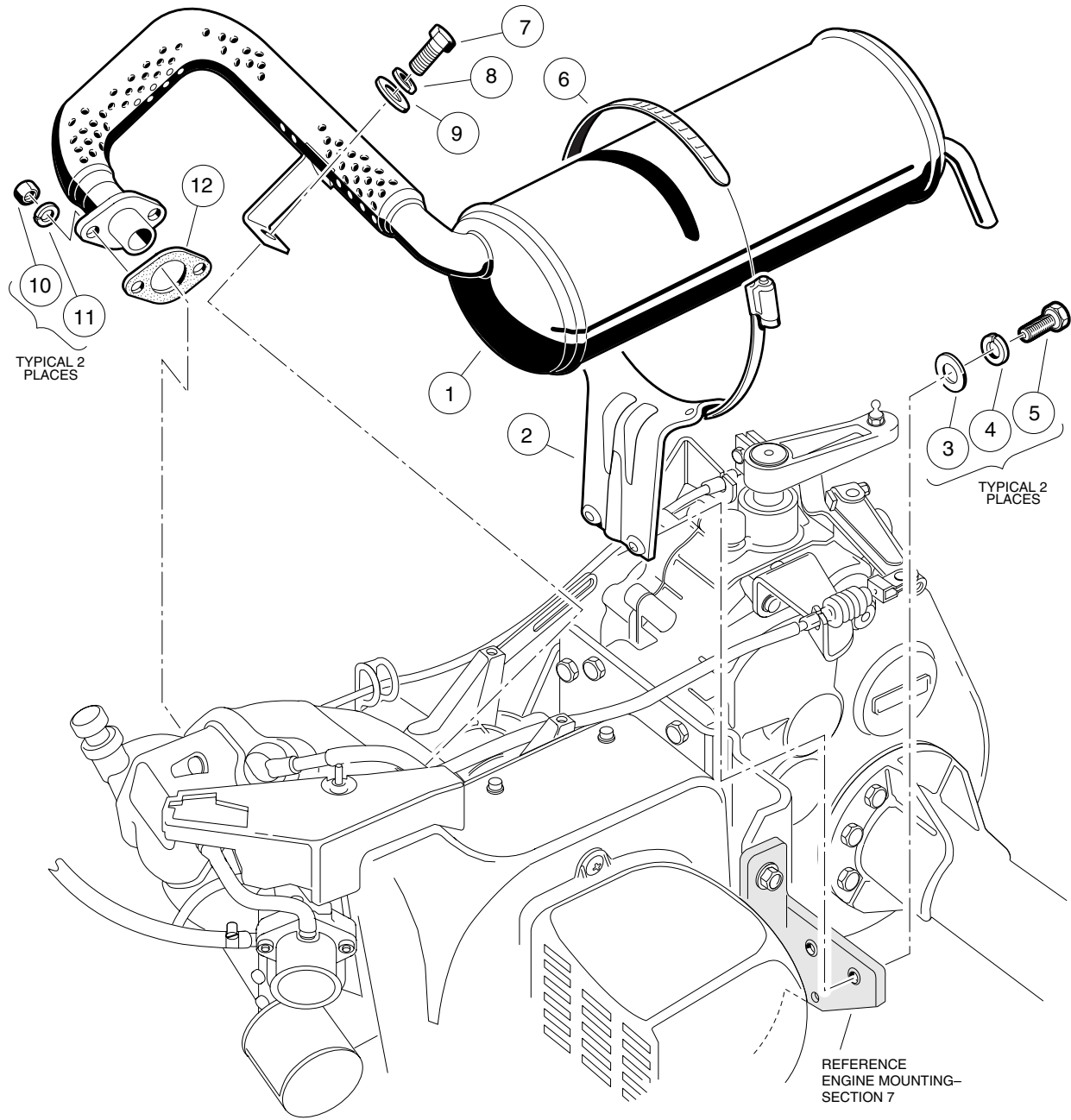
**E**

# EXHAUST SYSTEM

---

9

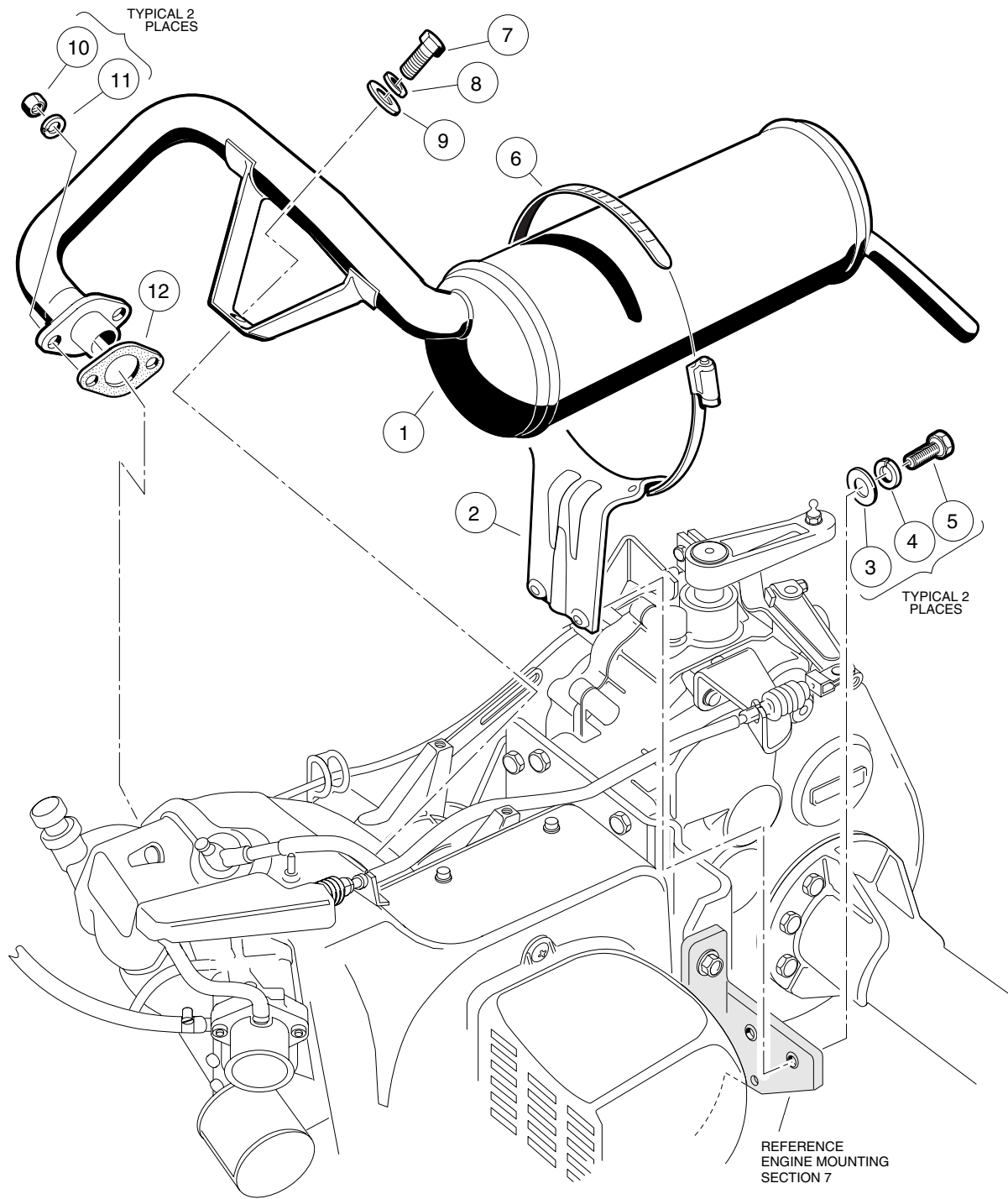
G



# EXHAUST SYSTEM, FE290 – TURF/CARRYALL 1

ITEM	PART NO.	DESCRIPTION	QTY
		1 2 3 4	
1	101859301	System, Exhaust .....	1
2	1015814	Bracket, Muffler Mounting .....	1
3	332	Washer, Flat, 1/4 .....	2
4	451	Washer, Lock, 1/4 .....	2
5	7847	Screw, Hex-Head, 1/4-20 x 3/4 .....	2
6	1017689	Clamp, Muffler .....	1
7	1012830	Screw, Hex-Head Cap, M8 x 1.25 x 22 mm .....	1
8	7174	Washer, Lock, 5/16 .....	1
9	1015075	Washer, Flat, 5/16 .....	1
10	1012528	Nut, Hex, M8 x 1.25 .....	2
11	1013734	Washer, Lock, 8 mm .....	2
12	1015330	Gasket, Exhaust .....	1

**9**  
**G**



# EXHAUST SYSTEM, FE350 – TURF/ CARRYALL 2, XRT, 2 PLUS, AND 6

ITEM	PART NO.	DESCRIPTION	QTY
		1 2 3 4	
1	101859401	System, Exhaust .....	1
2	1015814	Bracket, Muffler Mounting .....	1
3	332	Washer, Flat, 1/4 .....	2
4	451	Washer, Lock, 1/4 .....	2
5	7847	Screw, Hex-Head Cap, 1/4-20 x 3/4 .....	2
6	1017689	Clamp, Muffler .....	1
7	1012830	Screw, Hex-Head Cap, M8 x 1.25 x 22 mm .....	1
8	7174	Washer, Lock, 5/16 .....	1
9	1015075	Washer, Flat, 5/16 .....	1
10	1012528	Nut, Hex, M8 X 1.25 .....	2
11	1013734	Washer, Lock, 8 mm .....	2
12	1016904	Gasket, Exhaust .....	1

**9**  
**G**

9

G

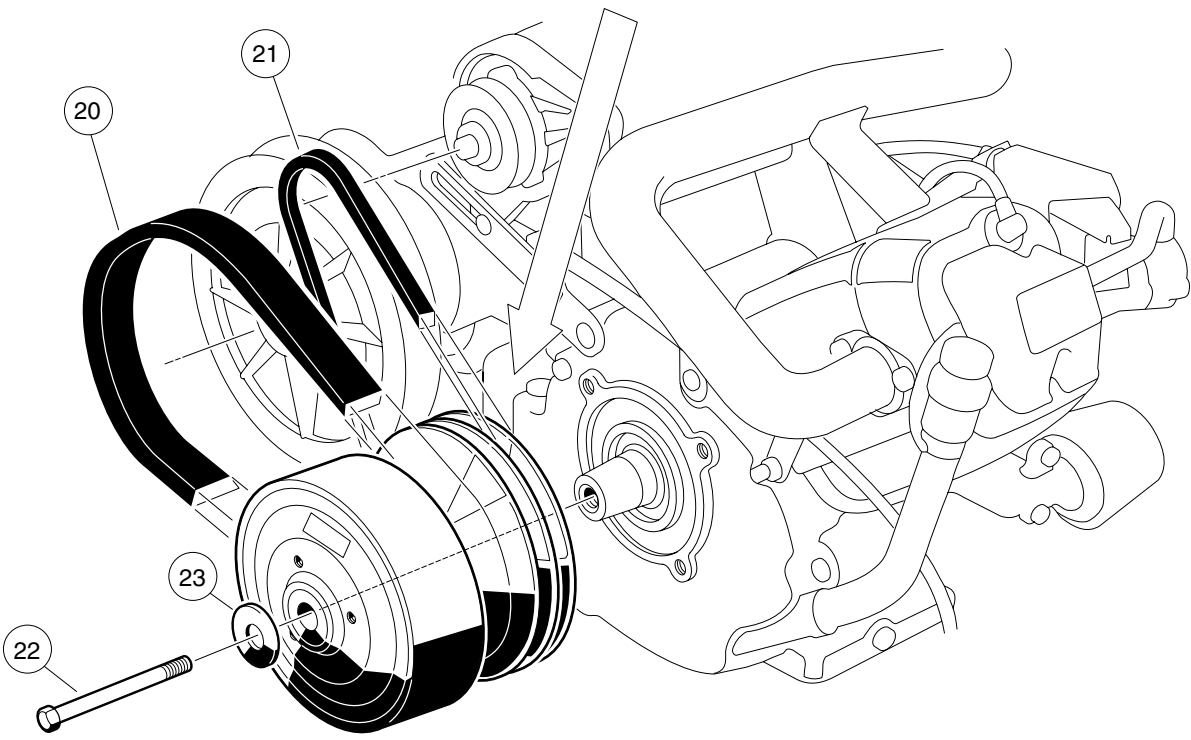
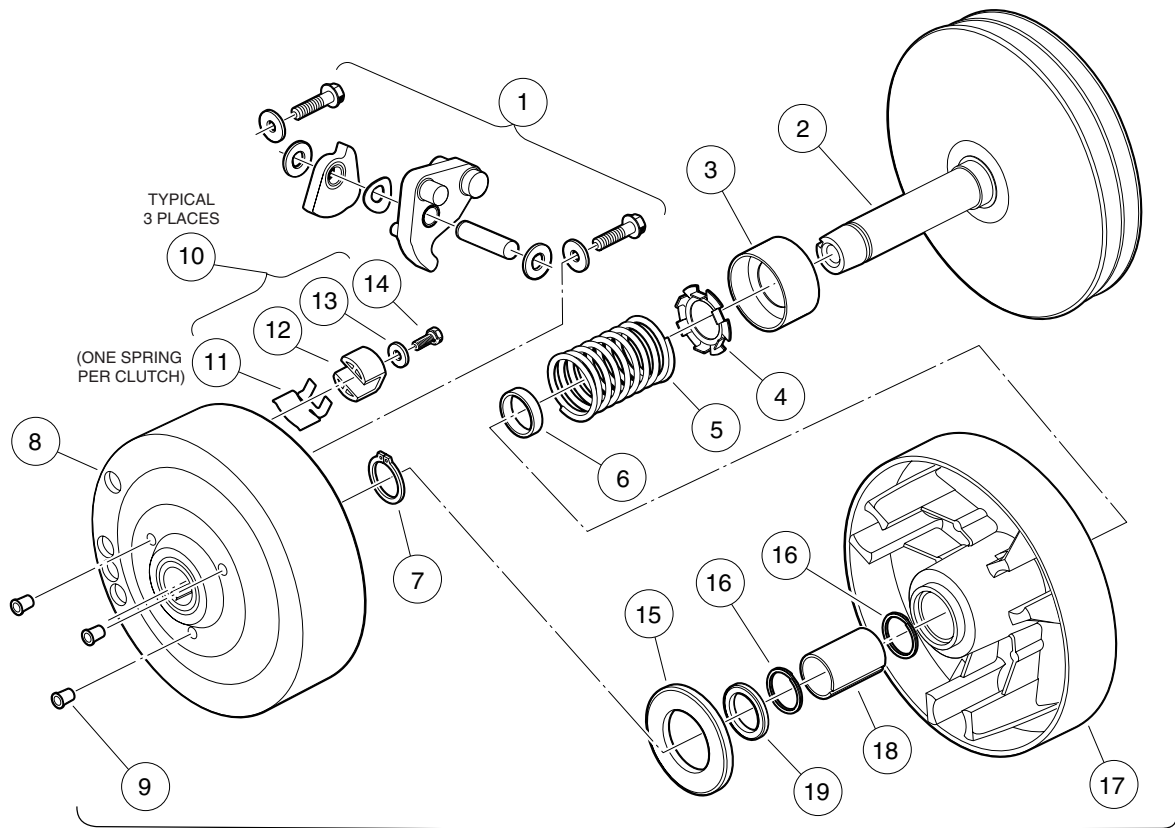


# TORQUE CONVERTER

---

10

G

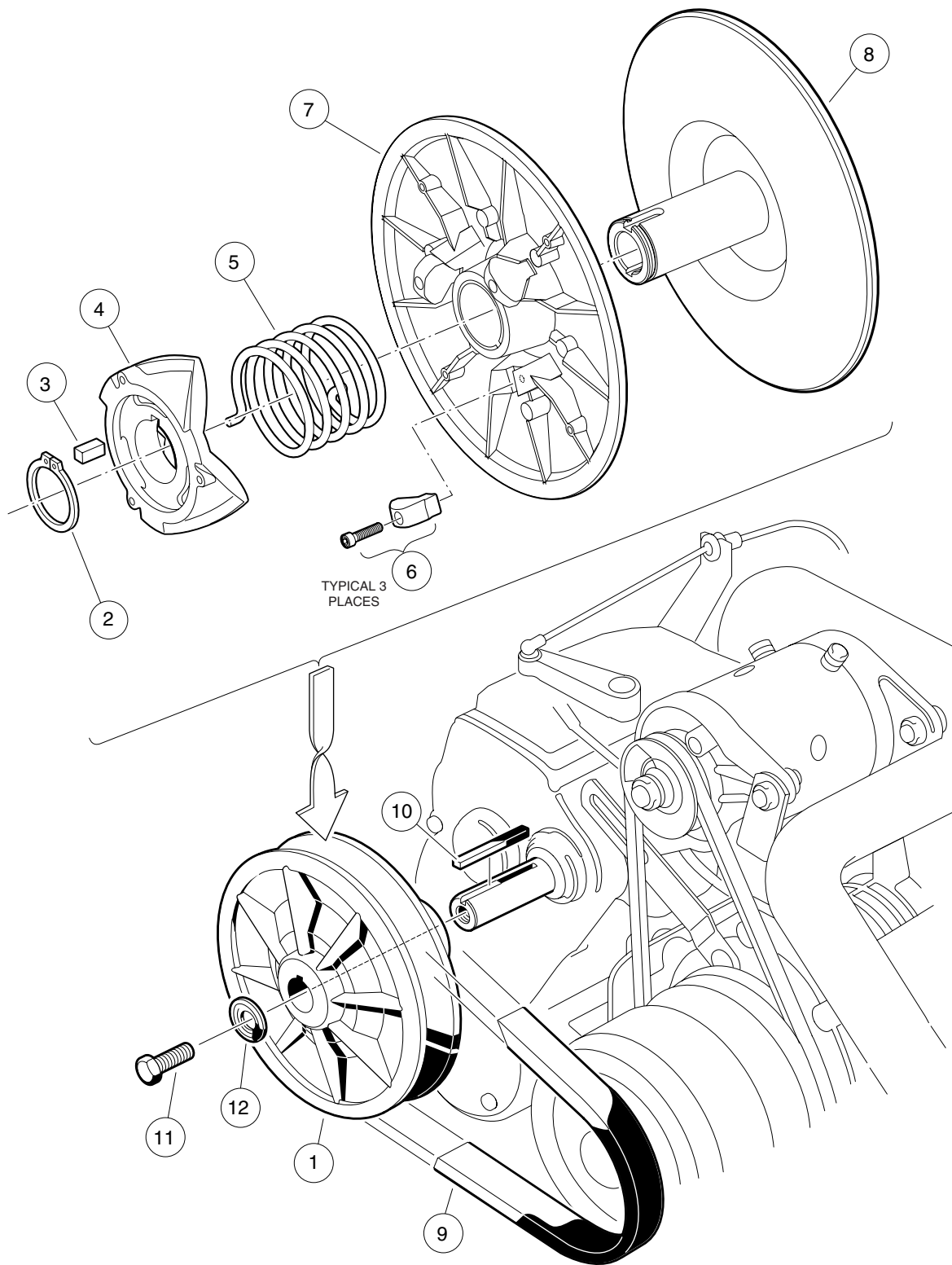


# DRIVE CLUTCH

ITEM	PART NO.	DESCRIPTION	QTY
		1 2 3 4	
	101833902	Assembly, Drive Clutch (Turf/Carryall 1, 2, and XRT) (includes items 1 - 19) .....	1
	101833904	Assembly, Drive Clutch (Carryall 2 Plus and Turf/Carryall 6) (includes items 1 - 19) .....	1
1	1016801	Kit, Drive Clutch Weight .....	1
2	101929801	Assembly, Fixed Face (Carryall 1, 2, and XRT) .....	1
2	101738301	Assembly, Fixed Face (Carryall 2 Plus and Turf//CA6) .....	1
3	1014049	Bearing, Idler .....	1
4	1014050	Spring, Retainer .....	1
5	1014051	Spring, Drive Clutch – Black (Turf/Carryall 1, 2, and XRT) .....	1
5	1016901	Spring, Drive Clutch – Dark Green (Carryall 2 Plus and Turf//CA6) .....	1
6	1016289	Spacer, Fixed Face Shaft .....	1
7	1014057	Ring, Retaining .....	1
8	1014059	Assembly, Drive Hub .....	1
9	N/A	Plug, Drive Clutch .....	3
10	1014453	Kit, Drive Clutch Button (includes item 11 - 14) .....	1
11	1014287	Spring, Drive Button .....	1
12	1014062	Driver, Drive Clutch .....	3
13	183	Washer, Flat, #10, Type A .....	3
14	8450	Screw, Hex-Head, #10-24 x .5 .....	3
15	1014058	Washer, Thrust .....	1
16	1014056	Ring, Spiral Back-Up .....	2
17	1014052	Assembly, Movable Face (includes items 18 and 19) .....	1
18	N/A	Bushing .....	1
19	1014055	Retainer .....	1
20	1016203	Belt, Drive (Turf/Carryall 1) .....	1
20	1017188	Belt, Drive (Turf/Carryall 2, XRT, 2 Plus, and 6) .....	1
21	101916701	Belt, Starter/Generator .....	1
22	101916501	Screw, Hex-Head Cap, 3/8-24 x 5-1/2 (left-hand threads) .....	1
23	1017328	Washer, Drive Clutch – Green .....	1

10

G



# DRIVEN CLUTCH

ITEM	PART NO.	DESCRIPTION	QTY
		1 2 3 4	
1	101834001	Assembly, Driven Clutch (includes items 2 - 8) (Turf/Carryall 1, 2, XRT, and 6) ...	1
1	101834003	Assembly, Driven Clutch (includes items 2 - 8) (Carryall 2 Plus only) .....	1
2	1014080	Ring, Retaining .....	1
3	1014078	Key .....	1
4	1017686	Cam .....	1
5	101836201	Spring – Green (Turf/Carryall 1, 2, XRT, and 6) .....	1
5	101836202	Spring – Purple (Carryall 2 Plus only) .....	1
6	1014454	Kit, Driven Clutch Button (includes 3 buttons and 3 screws) .....	1
7	1014072	Assembly, Movable Face, with Bushing .....	1
8	1014070	Assembly, Fixed Face .....	1
9	1016203	Belt, Drive (Turf/Carryall 1 only) .....	1
9	1017188	Belt, Drive (Turf/Carryall 2, XRT, 2 Plus, and 6) .....	1
	AM10419	Kit, Driven Clutch Hardware Repair (includes items 10 - 12).....	1
10	101833401	Key, Square Transmission .....	1
11	102242101	Screw, Hex-Head Cap, Thread-Locking, 5/16-18 x 3/4 .....	1
12	1017327	Washer, Driven Clutch .....	1

10

G

**10**

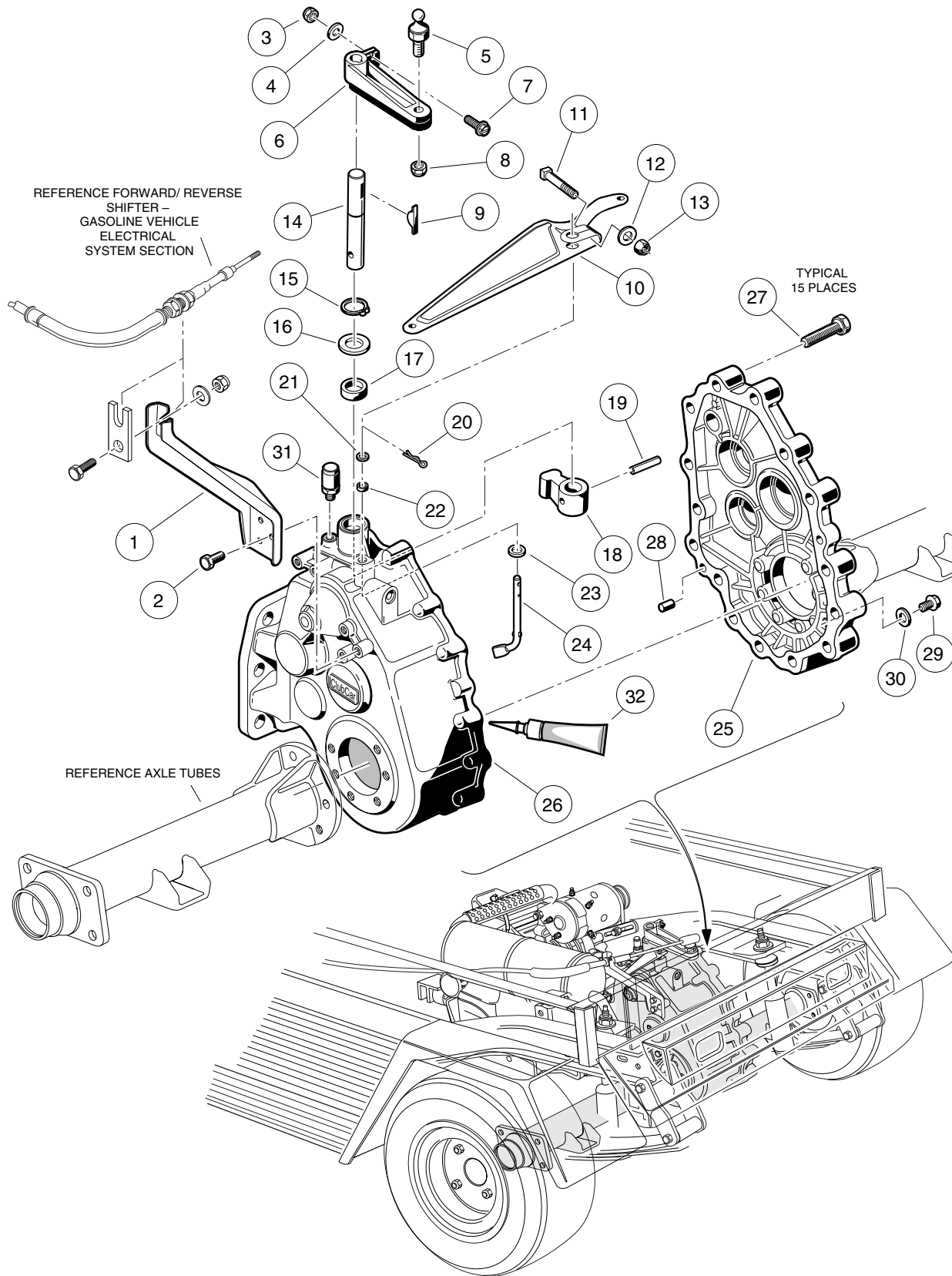
**G**

# UNITIZED TRANSAXLE

---

11

G



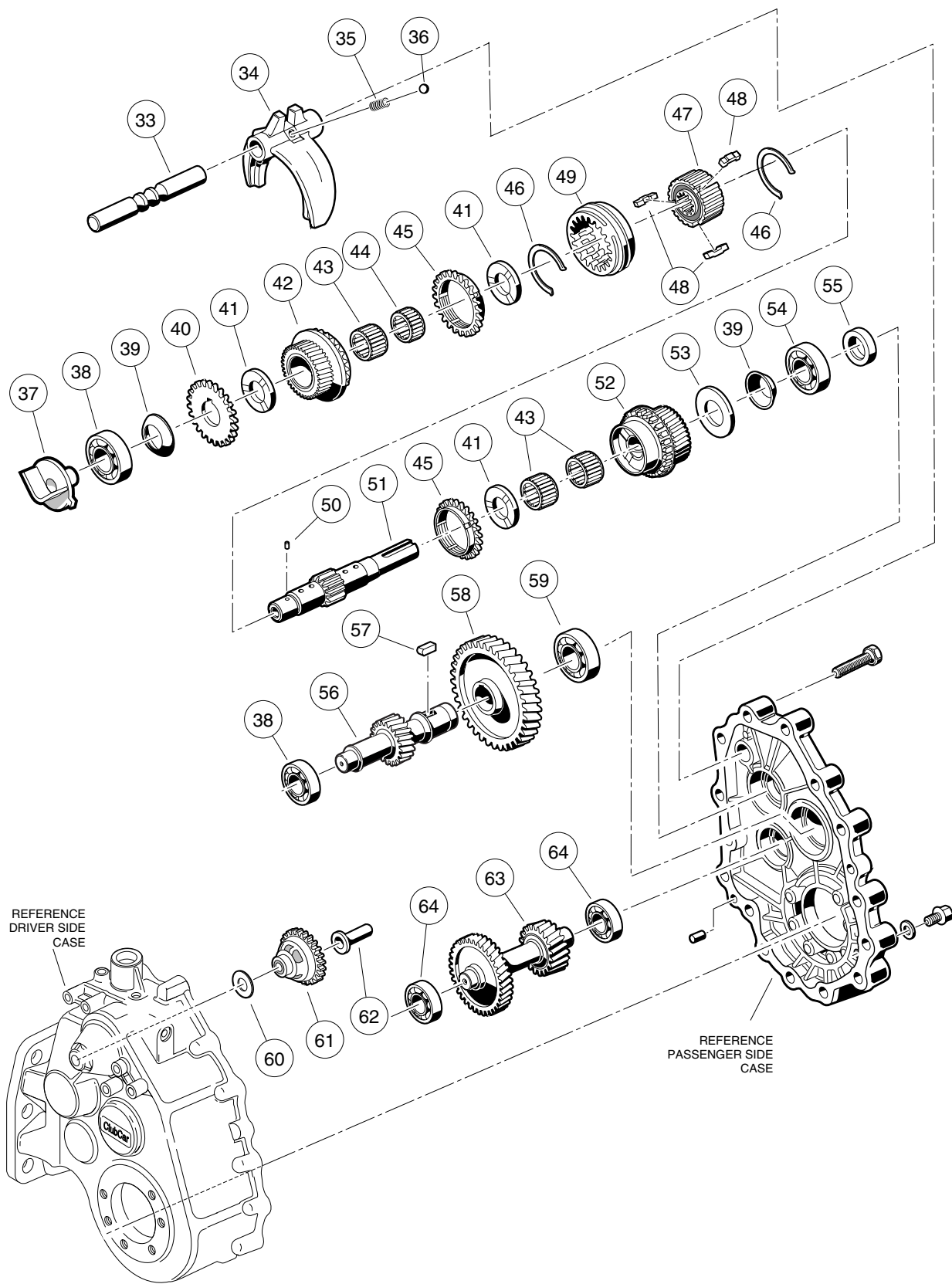


# UNITIZED TRANSAXLE – GEAR CASES AND GUARD

ITEM	PART NO.	DESCRIPTION	QTY
		1 2 3 4	
1	101922601	Bracket, Transmission Cable Support .....	1
2	1012285	Screw, Thread Rolling, 1/4-20 x 5/8 .....	3
3	1013061	Nut, Nylon Lock, #10-32 .....	1
4	183	Washer, Flat, #10 .....	1
5	1010954	Stud, Ball, 1/4-28 x 9/16 .....	1
6	1016341	Lever, Transmission Shifter .....	1
7	1017082	Screw, Hex Washer-Head, #10-32 x 3/4 .....	1
8	8717	Nut, Nylon Lock, 1/4-28 .....	1
9	1017231	Key, Woodruff .....	1
10	101834801	Arm, Governor Lever .....	1
11	101886101	Screw, Square Head, 1/4-20 x 1 .....	1
12	1014007	Washer, Type B, 1/4 .....	1
13	8233	Nut, Nylon Lock, 1/4-20 .....	1
	101833601	Unitized Transaxle (includes items 14 - 88) .....	1
14	101890201	Shaft, Shifter .....	1
15	101927301	Ring, Snap .....	1
16	101892901	Washer, Flat .....	1
17	101927201	Seal, Oil .....	1
18	101890101	Lever, Shifter .....	1
19	1012752	Pin, Roll .....	1
20	101928601	Pin, Cotter .....	1
21	1016513	Washer, Flat .....	1
22	101927101	Seal, Oil .....	1
23	101893801	Washer .....	1
24	101891301	Arm, Pivot .....	1
25	101890601	Gear Case (passenger side) .....	1
26	101890501	Gear Case (driver side) .....	1
27	101926901	Bolt, Flanged, M8 x 1.25 x 40 mm .....	15
28	1012896	Pin, Dowel .....	2
29	1013759	Plug, Drain (includes item 30) .....	2
30	1016432	Gasket .....	1
31	1012711	Breather .....	1
32	101928701	Gasket, Liquid, 8.8 oz. (250 grams) .....	A/R

11

G

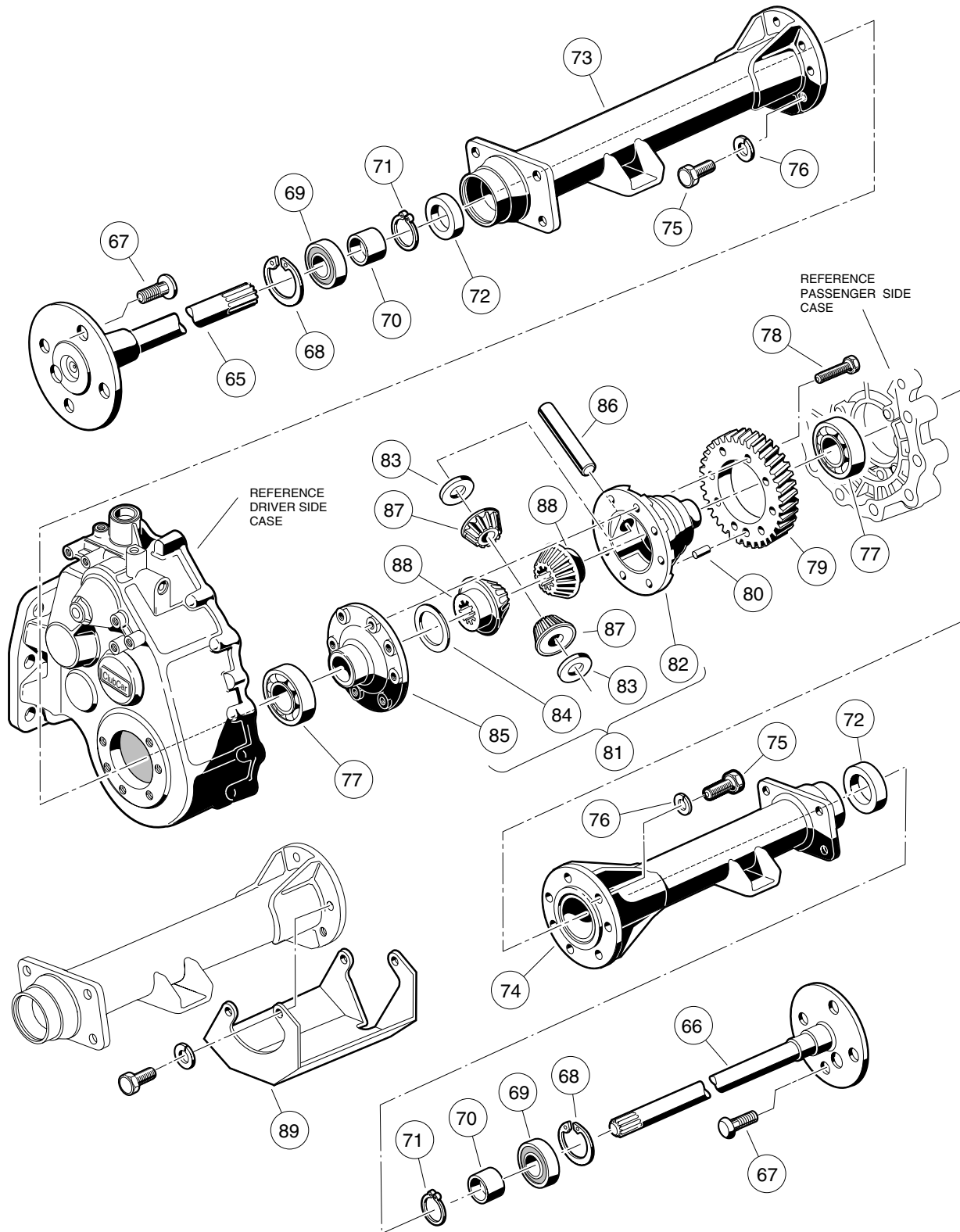


# UNITIZED TRANSAXLE – F&R TRANSMISSION AND GEAR REDUCTION

**11**

**G**

ITEM	PART NO.	DESCRIPTION	QTY
		1 2 3 4	
33	101892001	Rod, Shift .....	1
34	101890001	Fork, Shift .....	1
35	1012748	Spring .....	1
36	1012747	Ball, Steel .....	1
37	101889401	Guide .....	1
38	AM10080	Bearing, Ball .....	2
39	1016338	Washer, Spring .....	2
40	101892401	Gear, Spur .....	1
41	101892201	Plate, Thrust .....	3
42	101980901	Gear Assembly, Input, 28 Tooth (16°) .....	1
43	101927601	Bearing, Needle .....	3
44	101927501	Bearing, Needle .....	1
45	101981001	Ring, Synchronizer (16°) .....	2
46	1012741	Spring, Synchronizer .....	2
47	101928001	Hub, Synchronizer Clutch .....	1
48	1012740	Insert, Synchronizer .....	3
49	101927901	Sleeve, Synchronizer .....	1
50	101927701	Pin, Dowel .....	1
51	101889901	Shaft, Input .....	1
52	101980801	Gear Assembly, Input, 25 Tooth (16°) .....	1
53	1016337	Washer, Thrust .....	1
54	AM10081	Bearing, Ball .....	1
55	1012714	Seal, Oil, Input Shaft .....	1
56	101892601	Gear, 17 Tooth .....	1
57	101893201	Key .....	1
58	101892501	Gear, 61 Tooth .....	1
59	101928101	Bearing, Ball .....	1
60	101893901	Washer.....	1
61	101892301	Governor Assembly .....	1
62	101891601	Sleeve .....	1
63	101891901	Gear, Cluster Idler .....	1
64	7335	Bearing, Ball .....	2



# UNITIZED TRANSAXLE – DIFFERENTIAL AND AXLES

ITEM	PART NO.	DESCRIPTION	QTY
		1 2 3 4	
65	101891501	Axle Assembly, Driver-Side (Includes items 67 - 71) .....	1
66	101891401	Axle Assembly, Passenger-Side (includes items 67 - 71) .....	1
67	1013787	Stud, Lug .....	4
68	1013792	Ring, Retaining .....	1
69	1011291	Bearing, Outer Axle Tube .....	1
70	1014207	Collar, 25 mm I. D. ....	1
71	1016672	Ring, Retaining .....	1
72	1013794	Seal, Oil .....	2
73	101891001	Assembly, Axle Tube, Driver-Side .....	1
74	101890901	Assembly, Axle Tube, Passenger-Side .....	1
75	1013790	Bolt, M10 x 1.5 x 30 mm .....	14
76	1013791	Washer, Lock, M10 .....	14
77	7330	Bearing, Inner Axle Tube .....	2
78	101928301	Bolt, M8 x 1.25 x 37 mm .....	8
79	101892701	Gear, Output .....	1
80	1014193	Pin, Dowel .....	1
81	101910501	Kit, Differential Gear Case (includes items 82 - 85) .....	1
82	1013768	Case, Gear Carrier .....	1
83	1013774	Plate, Thrust (idler gear) .....	2
84	1013773	Plate, Thrust (differential gear) .....	1
85	1013769	Cover, Gear Case .....	1
86	1013772	Pin, Differential .....	1
87	1013770	Gear, Differential Idler .....	2
88	1013771	Gear, Differential .....	2
89	101932901	Guard, Unitized Transaxle (XRT and all Turf vehicles) .....	1

11

G

**11**

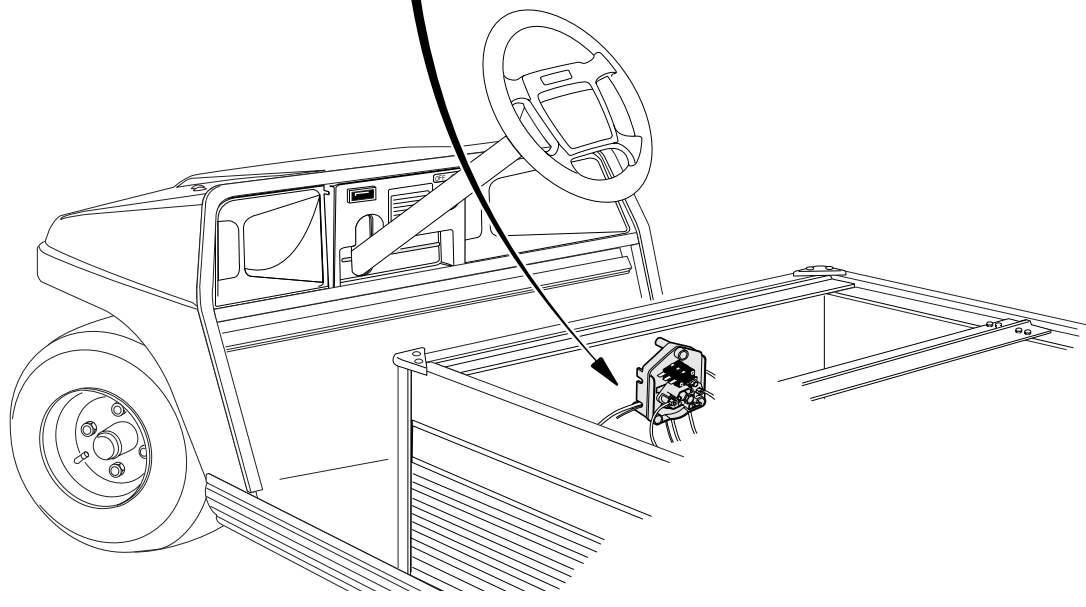
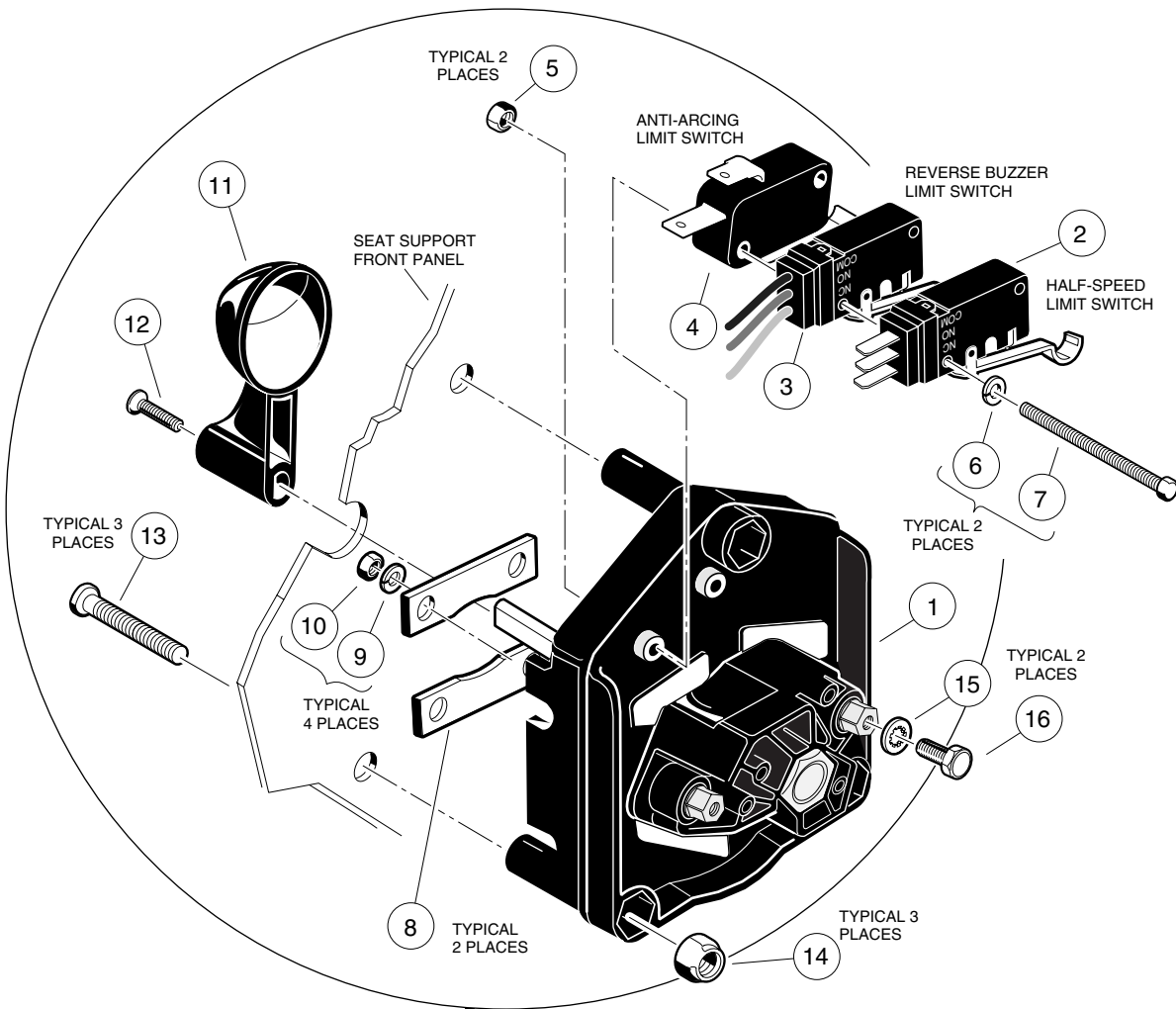
**G**

# ELECTRICAL SYSTEM – ELECTRIC VEHICLE

---

12

E



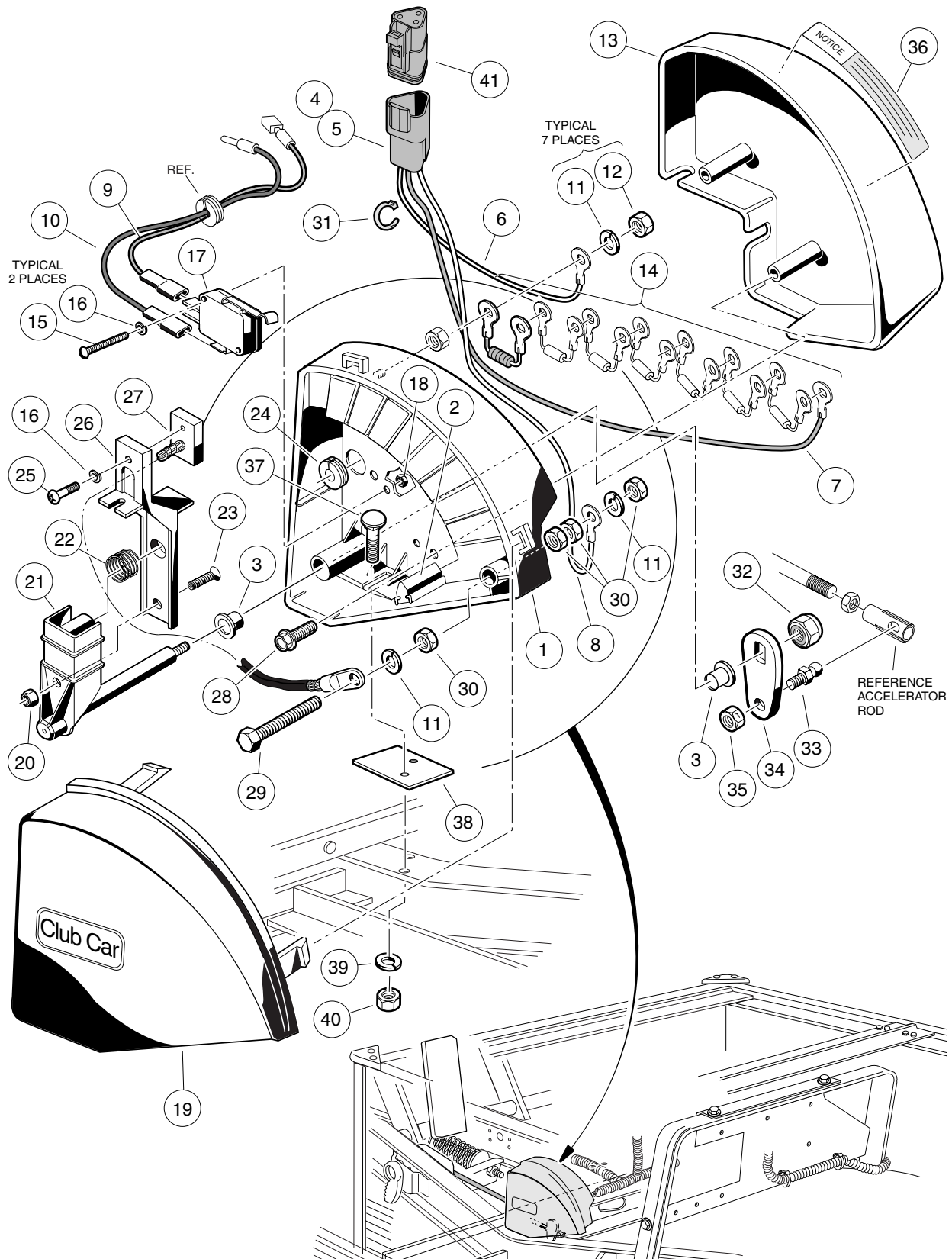


# FORWARD/REVERSE SWITCH – POWERDRIVE SYSTEM 48 VEHICLE

ITEM	PART NO.	DESCRIPTION	QTY
		1 2 3 4	
1	101753005	Assembly, Forward/Reverse Switch (includes items 2 - 10) .....	1
2	102250201	Switch, Limit, Sealed .....	1
3	101979101	Switch, Limit, Sealed .....	1
4	1014808	Switch, Limit .....	1
5	8057	Nut, Hex, #4-40 .....	2
6	8058	Washer, Lock, #4 .....	2
7	1014871	Screw, Hex Washer-Head, #4-40 x 2 .....	2
8	1017799	Bar, Bus .....	2
9	451	Washer, Lock, 1/4 .....	4
10	1028	Nut, Hex, 1/4-20 .....	4
11	1012987	Handle, Forward/Reverse Switch .....	1
12	1013198	Screw, Phillips-Head Machine, #8-32 x 5/8 .....	1
13	1016845	Screw, Phillips Truss-Head, 1/4-20 x 2-1/8 .....	3
14	8233	Nut, Nylon Lock, 1/4-20 .....	3
15	8049	Washer, Internal Tooth Lock, #10 .....	2
16	8450	Screw, Hex-Head Machine, #10-24 x 1/2 .....	2

12

E

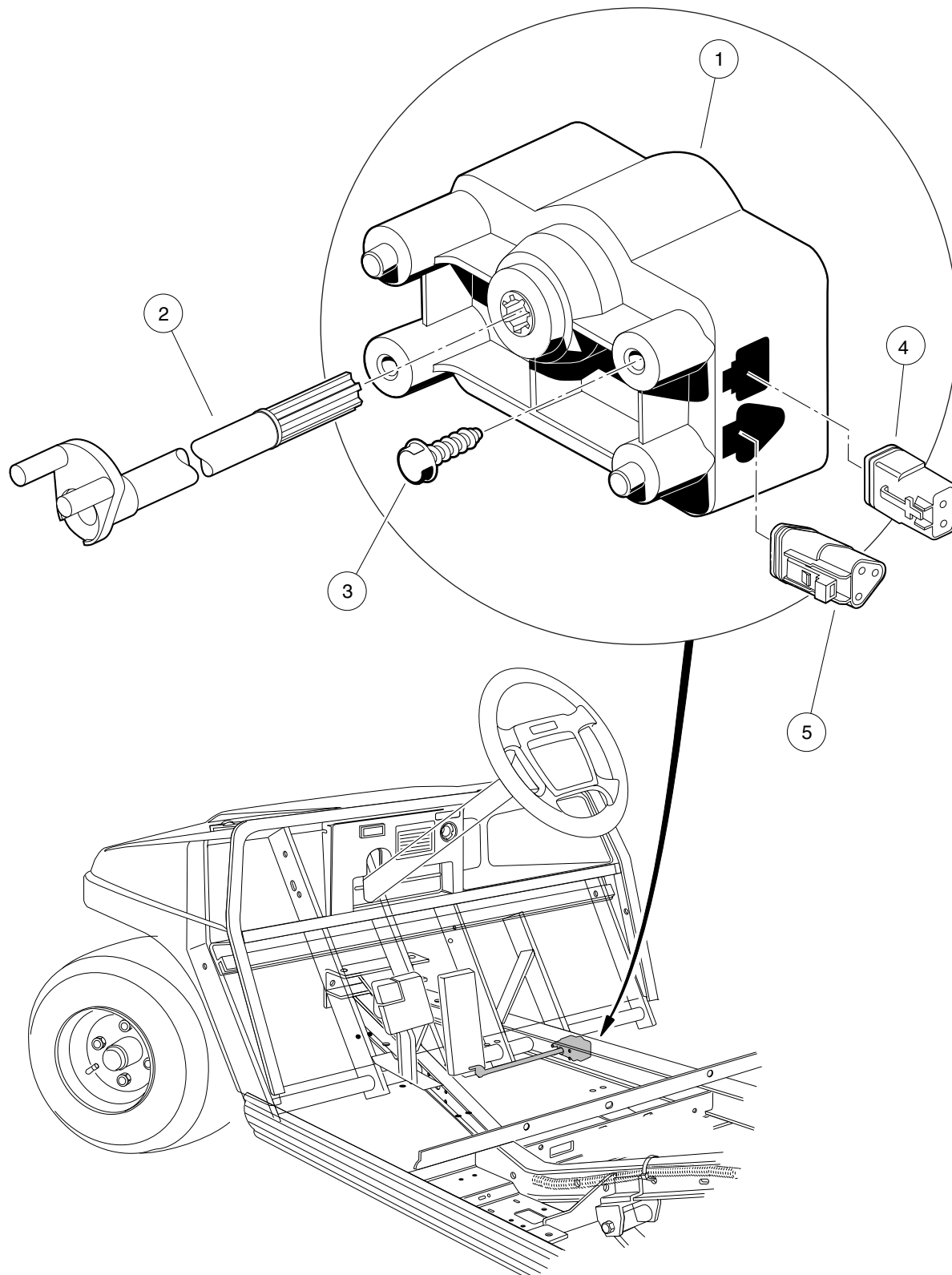


# MULTI-STEP POTENTIOMETER – TURF/ CARRYALL 1 POWERDRIVE SYSTEM 48 VEHICLES

**12**

**E**

ITEM	PART NO.	DESCRIPTION	QTY
		1 2 3 4 For vehicles with serial numbers lower than 0112-001470.	
	101932001	Assembly, Wiper Switch (includes items 1 - 36) .....	1
1	1014999	Assembly, Wiper Switch Case, 6-Speed (includes items 2 and 3) .....	1
2	1014414	Bumper, Wiper Switch .....	1
3	1012903	Bearing, Bronze .....	2
4	101932801	Assembly, 3-Wire and Receptacle (includes items 5 - 8) .....	1
5	101942301	Kit, 3-Pin Receptacle .....	1
6	N/A	Wire Assembly, #18 White/Black .....	1
7	N/A	Wire Assembly, #18 Purple .....	1
8	N/A	Wire Assembly, #18 Yellow .....	1
9	N/A	Wire Assembly, #18 Green/White .....	1
10	N/A	Wire Assembly, #18 Blue .....	1
11	451	Washer, Lock, 1/4 .....	9
12	1028	Nut, Hex, 1/4-20 .....	7
13	101946901	Protector, Wiper Switch Resistor .....	1
14	101971101	Kit, Resistor Assembly .....	1
15	8056	Screw, Round-Head Machine, #4-40 x 3/4 .....	2
16	8058	Washer, Lock, #4 .....	3
17	1014807	Switch, Limit.....	1
18	8057	Nut, Hex, #4-40 .....	2
19	1013886	Cover, Wiper Switch .....	1
20	1013061	Nut, Nylon Lock, #10-32 .....	1
21	1014017	Carrier, Wiper Switch Arm .....	1
22	1013998	Spring, Wiper Switch Brush .....	1
23	1014000	Stud, Wiper Switch Adjusting .....	1
24	1014010	Grommet, Split .....	1
25	1014019	Screw, Self-Tapping, #4-40 x 3/8 .....	1
26	1013887	Arm, Speed Switch .....	1
27	1013860	Assembly, Switch Brush .....	1
28	1013461	Screw, Hex-Head Hi-Lo, #10-16 x 1/2 .....	2
29	1014189	Screw, Hex-Head Cap, 1/4-20 x 2 .....	1
30	1014253	Nut, Brass Hex Jam, 1/4-20 .....	4
31	8990	Tie, Wire .....	1
32	7473	Nut, Nylon Lock, 5/16-18 .....	1
33	1012353	Stud, Short Ball, 1/4-28 .....	1
34	1014003	Crank, Bell .....	1
35	8449	Nut, Dimpled Lock, 1/4-28 .....	1
36	101610901	Decal, Wiper Switch Warning .....	1
37	1014109	Bolt, Carriage, #10-24 x 1 .....	2
38	101949201	Shim, Wiper Switch .....	1
39	1016175	Washer, Lock, #10 .....	2
40	1017	Nut, Hex, #10-24 .....	2
41	101920101	Kit, 3-Pin Plug and Wedge Lock .....	1

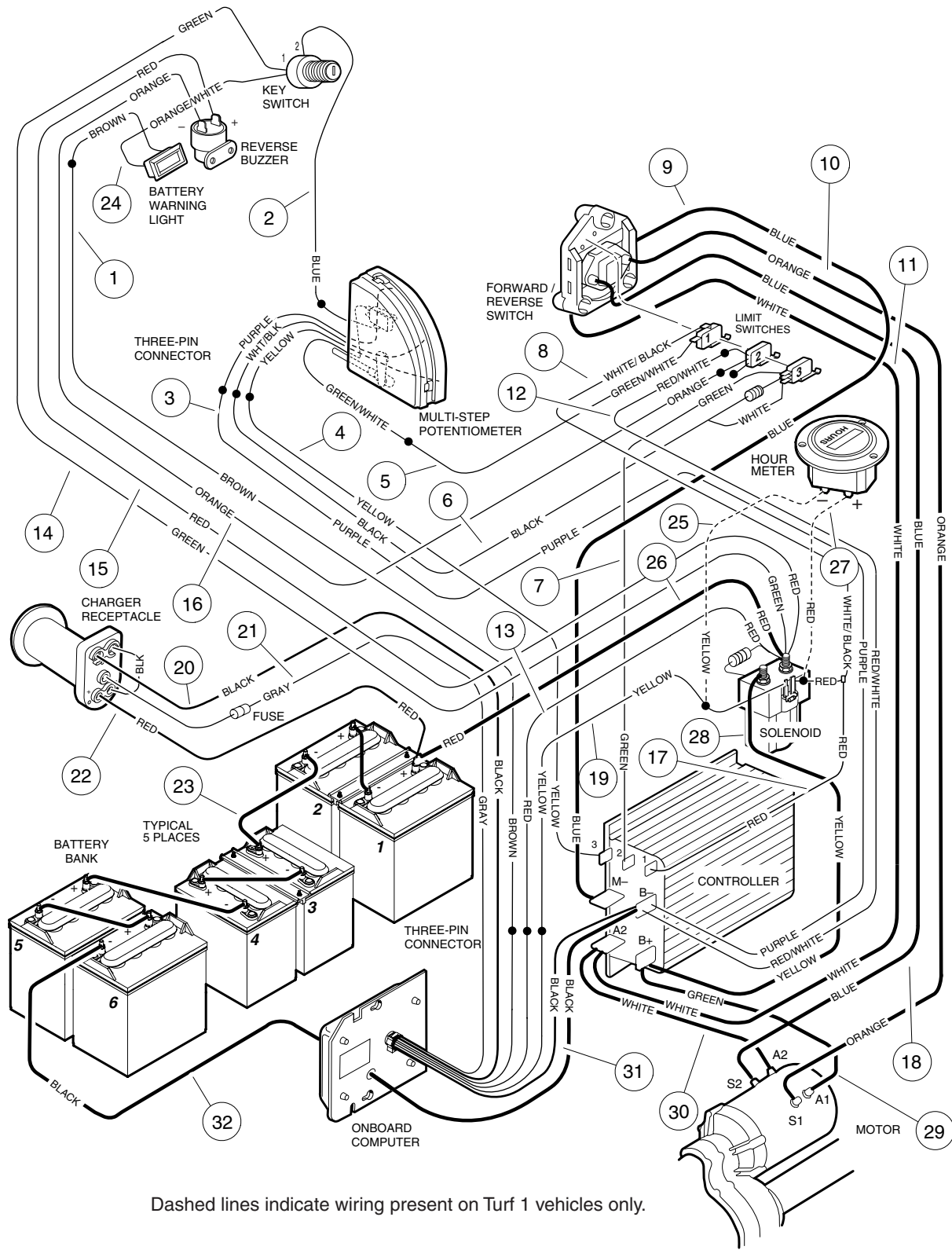


# MOTOR CONTROLLER OUTPUT REGULATOR (MCOR)

ITEM	PART NO.	DESCRIPTION	QTY
		<b>1 2 3 4</b> For vehicles with serial numbers 0112-001470 and greater.	
1	102101101	Regulator, Motor Controller Output (MCOR) .....	1
2	102101001	Bar, Drive .....	1
3	1015752	Screw, Hex-Head, Hi-Lo, #12-16 x 5/8 .....	2
4	101936801	Kit, 2-Pin Plug and Wedge Lock .....	1
5	101920101	Kit, 3-Pin Plug and Wedge Lock .....	1

12

E



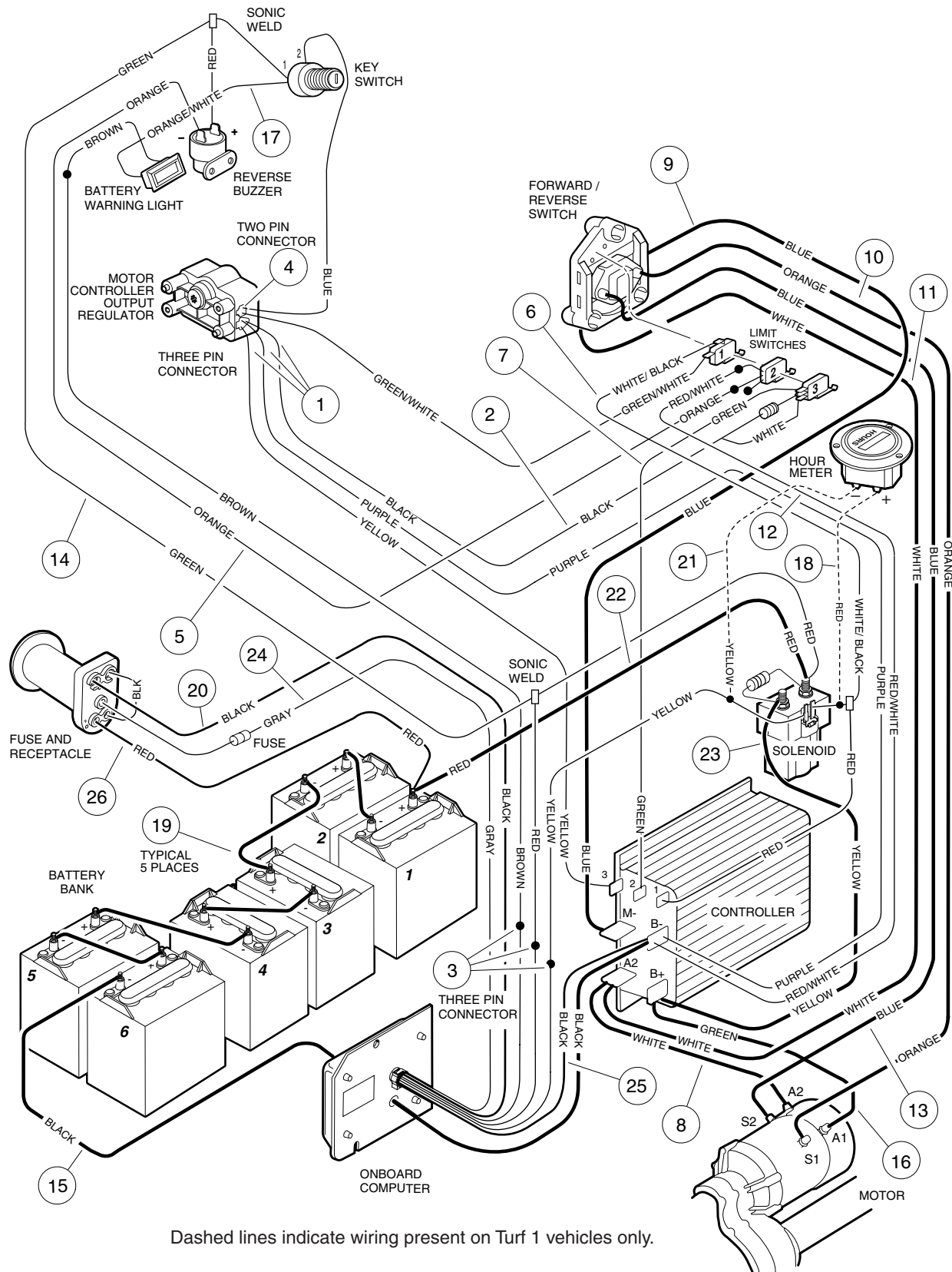
Dashed lines indicate wiring present on Turf 1 vehicles only.

# WIRING – TURF/CARRYALL 1 POWERDRIVE VEHICLE WITH MULTI-STEP POTENTIOMETER

ITEM	PART NO.	DESCRIPTION	QTY
		<b>1 2 3 4</b> For vehicles with serial numbers lower than 0112-001470.	
	101911004	Wire Harness (includes items 1 - 19) .....	1
1	N/A	Wire Assembly, #18 Brown .....	1
2	N/A	Wire Assembly, #18 Blue .....	1
3	N/A	Wire Assembly, #18 Purple .....	1
4	N/A	Wire Assembly, #18 Yellow .....	1
5	N/A	Wire Assembly, #18 Green/White .....	1
6	101883002	Wire Assembly, #18 Black (includes resistor and #18 white wire) .....	1
7	N/A	Wire Assembly, #18 Green .....	1
8	N/A	Wire Assembly, #18 White/Black .....	1
9	101901401	Wire Assembly, #6 Blue .....	1
10	101901201	Wire Assembly, #6 Orange .....	1
11	101911101	Wire Assembly, #6 White .....	1
12	N/A	Wire Assembly, #18 Red/White .....	1
13	N/A	Wire Assembly, #18 Red .....	1
14	N/A	Wire Assembly, #18 Green .....	1
15	N/A	Wire Assembly, #18 Red .....	1
16	N/A	Wire Assembly, #18 Orange .....	1
17	N/A	Wire Assembly, #18 Red .....	1
18	101901301	Wire Assembly, #6 Blue .....	1
19	N/A	Wire Assembly, #18 Yellow .....	1
20	N/A	Wire Assembly, #10 Black (part of onboard computer assembly) .....	1
21	N/A	Wire Assembly, #18 Gray (part of onboard computer assembly) .....	1
22	N/A	Wire Assembly, #10 Red (part of fuse and receptacle assembly) .....	1
23	101795701	Wire Assembly, #6 Black .....	5
24	N/A	Wire Assembly, #18 Orange/White (part of battery light) .....	1
25	N/A	Wire Assembly, #18 Yellow .....	1
26	101902801	Wire Assembly, #6 Red .....	1
27	N/A	Wire Assembly, #18 Red .....	1
28	101903001	Wire Assembly, #6 Yellow .....	1
29	101902901	Wire Assembly, #6 Green .....	1
30	1014856	Wire Assembly, #6 White .....	1
31	N/A	Wire Assembly, #10 Black (part of onboard computer assembly) .....	1
32	101827801	Kit, Wire and Terminal, #6 Black .....	1

12

E



Dashed lines indicate wiring present on Turf 1 vehicles only.

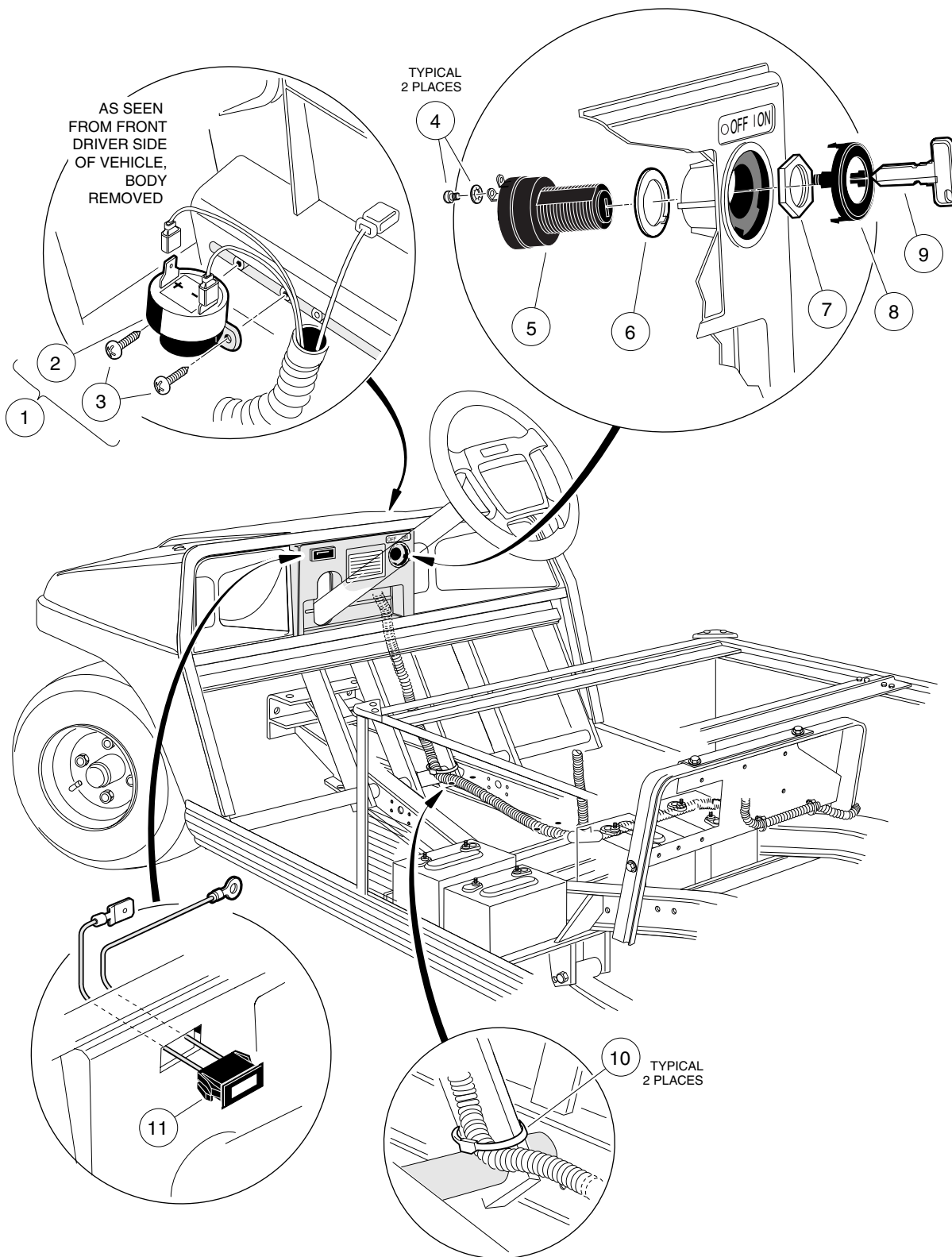


# WIRING – TURF/CARRYALL 1 POWERDRIVE VEHICLE WITH MOTOR CONTROLLER OUTPUT REGULATOR

ITEM	PART NO.	DESCRIPTION	QTY
		<b>1 2 3 4</b> For vehicles with serial numbers 0112-001470 and greater.	
	102162102	Wire Harness (includes items 1 - 15) .....	1
1	101865106	Assembly, 3-Wire Plug (includes item 2) .....	1
2	101883002	Wire Assembly, #18 Black (includes resistor and #18 white wire) .....	1
3	101930801	Assembly, 3-Pin Plug .....	1
4	101936801	Kit, 2-Pin Plug and Wedge Lock.....	1
5	N/A	Wire Assembly, #18 Orange .....	1
6	N/A	Wire Assembly, #18 Red, #18 White/Black .....	1
7	N/A	Wire Assembly, #18 Green .....	1
8	101911101	Wire Assembly, #6 White .....	1
9	101901401	Wire Assembly, #6 Blue .....	1
10	101901201	Wire Assembly, #6 Orange .....	1
11	101901501	Wire Assembly, #6 White .....	1
12	N/A	Wire Assembly, #18 Red/White .....	1
13	101901301	Wire Assembly, #6 Blue .....	1
14	N/A	Wire Assembly, #18 Green, #18 Red, #18 Red .....	1
15	101827801	Kit, Wire and Terminal, #6 Black .....	1
16	101902901	Wire Assembly, #6 Green .....	1
17	N/A	Wire Assembly, #18 Orange/White (part of battery warning light) .....	1
18	N/A	Wire Assembly, #18 Red .....	1
19	101795701	Wire Assembly, #6 Black .....	5
20	N/A	Wire Assembly, #10 Black (part of onboard computer assembly) .....	1
21	N/A	Wire Assembly, #18 Yellow.....	1
22	101902801	Wire Assembly, #6 Red .....	1
23	101903001	Wire Assembly, #6 Yellow .....	1
24	N/A	Wire Assembly, #18 Gray (part of onboard computer assembly) .....	1
25	N/A	Wire Assembly, #10 Black (part of onboard computer assembly) .....	1
26	N/A	Wire Assembly, #10 Red (part of fuse and receptacle assembly) .....	1

12

E

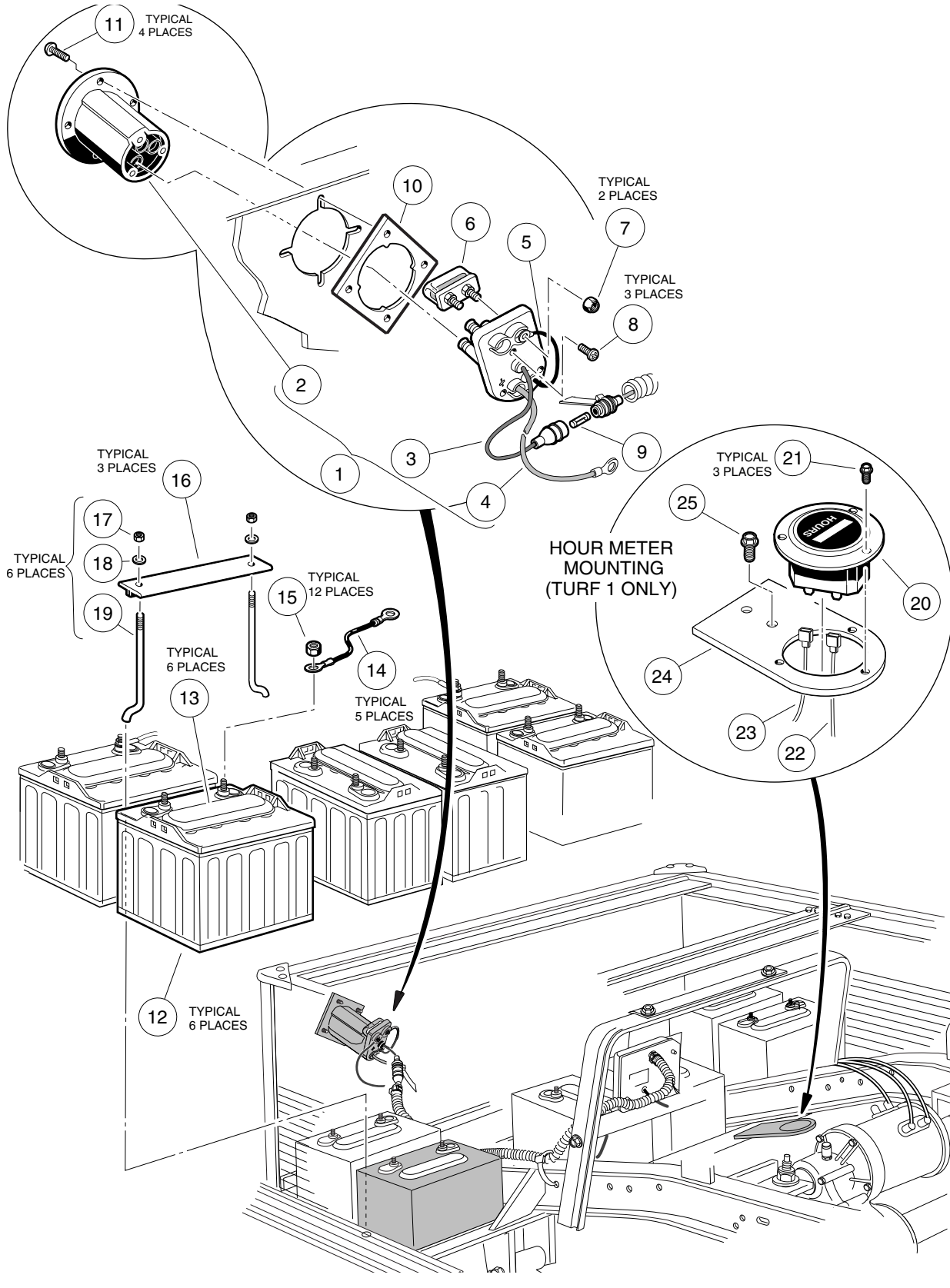


# ELECTRICAL COMPONENTS, FRONT BODY – TURF/CARRYALL 1 AND 2 POWERDRIVE VEHICLE

ITEM	PART NO.	DESCRIPTION	QTY
		1 2 3 4	
1	1016859	Kit, Reverse Buzzer (includes items 2 and 3) .....	1
2	1016851	Buzzer, Reverse .....	1
3	1016849	Screw, Pan-Head Hi-Lo, #4-24 x 5/16 .....	2
4	101830601	Assembly, Screw and Washer .....	2
5	101826201	Switch, Key .....	1
6	101851101	Washer, Key Switch .....	1
7	101830701	Nut, Key Switch .....	1
8	101834502	Cap, Key Switch .....	1
9	1012505	Key (pair) .....	1
10	8990	Tie, Wire .....	2
11	101935501	Light, Battery Warning (amber) .....	1
		See page 12-45 for headlight assembly for Turf 2 vehicles.	

12

E

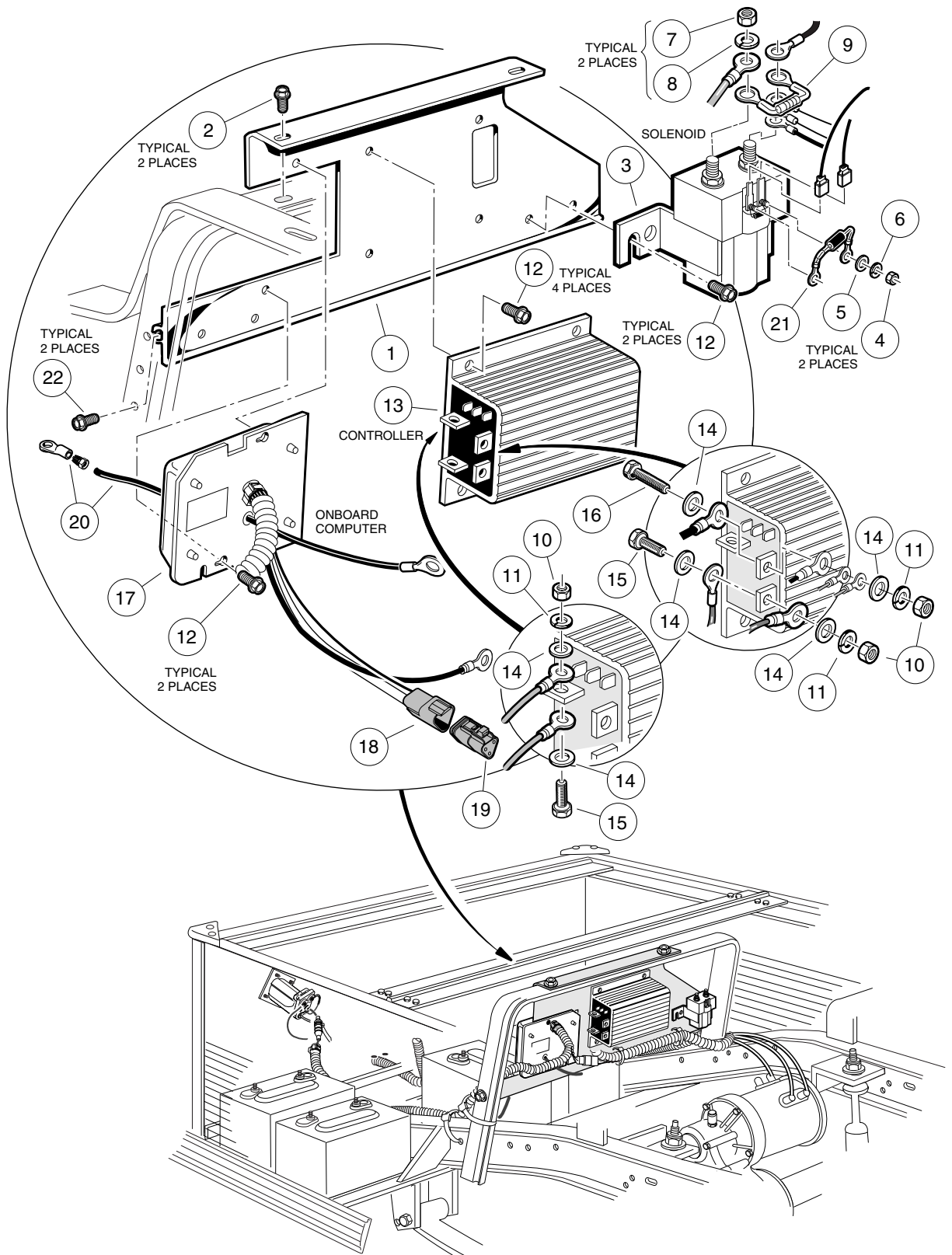


# BATTERIES, CHARGER RECEPTACLE – TURF/ CARRYALL 1 POWERDRIVE SYSTEM 48 VEHICLE

**12**

**E**

ITEM	PART NO.	DESCRIPTION	QTY
		1 2 3 4	
1	101802101	Kit, Fuse and Receptacle (includes items 2 - 9) .....	1
2	101796501	Bezel, Receptacle .....	1
3	N/A	Wire Assembly, Sense Lead, Gray .....	1
4	N/A	Wire Assembly, #10 Red .....	1
5	N/A	Wire Assembly, #10 Black .....	1
6	101796801	Assembly, Fuse, 48-Volt (includes item 7) .....	1
7	1013061	Nut, Nylon Lock, #10 .....	2
8	1017705	Screw, Phillips Pan-Head, #8 Type AB .....	3
9	101894901	Fuse, 3/8-Amp .....	1
10	101801001	Plate, Receptacle Backing .....	1
11	101832001	Screw, Phillips Pan-Head, #7-18 x 3/4 .....	4
12	101797701	Battery, 8-Volt PowerDrive (includes item 13) .....	6
12	101797702	Battery, 8-Volt PowerDrive, Dry (includes item 13) .....	6
13	101797801	Cap, Battery, 4-Port Gang .....	1
14	101795701	Wire Assembly, #6 Black .....	5
15	1014304	Nut, Hex, Stainless Steel, 5/16-18 .....	12
16	101090801	Hold-Down, Battery .....	3
17	1015072	Nut, Nylon Lock, Stainless Steel, 5/16-18 .....	6
18	1011578	Washer, Flat, Type B Wide, 5/16 .....	6
19	1013683	J-Bolt .....	6
20	1016877	Meter, Hour .....	1
21	1014540	Screw, Thread-Rolling, #6-32 x 3/8 .....	3
22	N/A	Wire Assembly, #18 Yellow .....	1
23	N/A	Wire Assembly, #18 Red .....	1
24	1013547	Bracket, Hour Meter .....	1
25	1012285	Screw, Hex Washer-Head, 1/4-20 .....	1

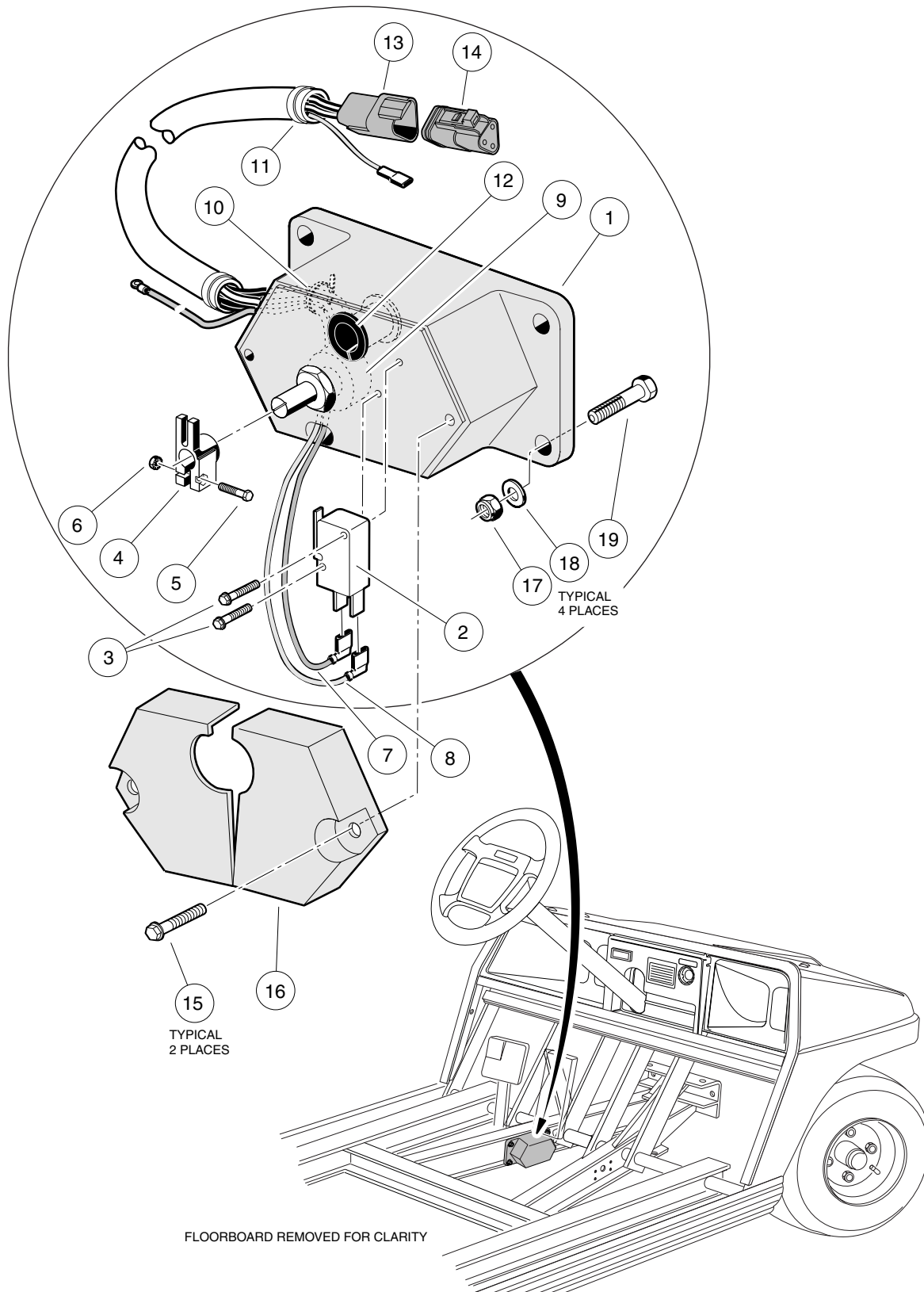


# COMPUTER, CONTROLLER, AND SOLENOID – TURF/ CARRYALL 1 POWERDRIVE SYSTEM 48 VEHICLE

ITEM	PART NO.	DESCRIPTION	QTY
		1 2 3 4	
1	101965201	Plate, Component Mounting .....	1
2	1014288	Screw, Thread-Forming, 5/16-18 x 3/4 .....	2
3	101908701	Solenoid, 48-Volt (with diode) (includes items 4 - 8) .....	1
4	1016545	Nut, Hex, M5 x .8 .....	2
5	N/A	Washer, Flat .....	2
6	N/A	Washer, Lock .....	2
7	1012528	Nut, Hex, M8 .....	2
8	7174	Washer, Lock, 5/16 .....	2
9	1014947	Assembly, Resistor .....	1
10	1242	Nut, Hex, 5/16-18 .....	3
11	7174	Washer, Lock, 5/16 .....	3
12	1012285	Screw, Thread-Rolling, 1/4-20 x 5/8 .....	8
13	101840203	Controller, 48-Volt (300-amp) .....	1
14	1241	Washer, Flat, 5/16 .....	6
15	7173	Screw, Hex-Head Cap, 5/16-18 x 3/4 .....	2
16	1218	Screw, Hex-Head Cap, 5/16-18 x 1-1/4 .....	1
17	101909901	Computer, Onboard (includes item 18) .....	1
18	101942301	Connector, 3-Pin .....	1
19	101920101	Kit, 3-Pin Plug and Wedge Lock .....	1
20	101827801	Kit, Wire and Terminal, #6 Black .....	1
21	1014948	Assembly, Diode (Service Part replacement for existing diode that comes standard with solenoid) .....	1
22	101910401	Screw, Thread-Forming, 5/16-18 x 1-1/4 .....	2

12

E





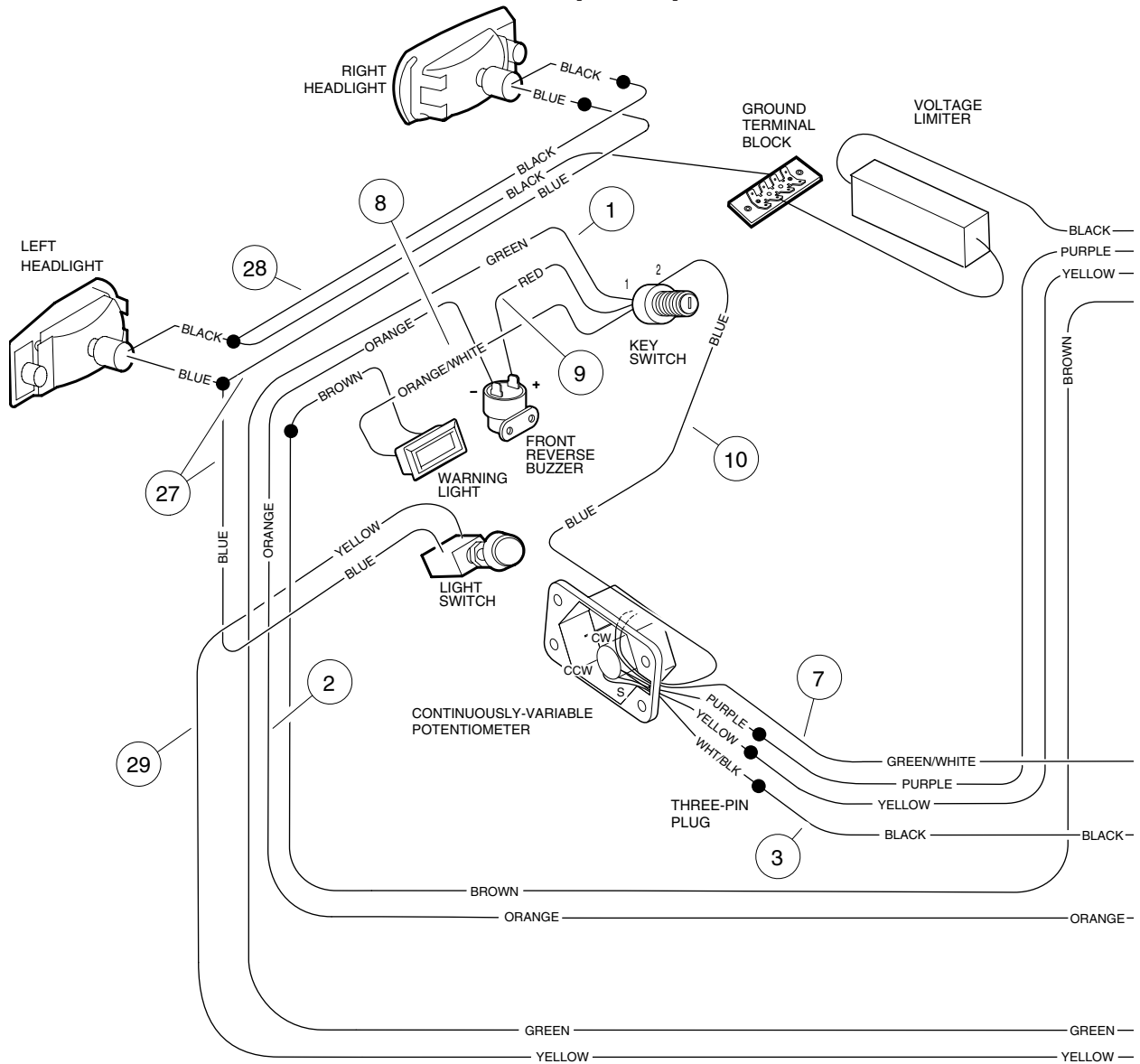
# CONTINUOUSLY VARIABLE POTENTIOMETER – TURF/ CARRYALL 2 AND CARRYALL 6 POWERDRIVE VEHICLES

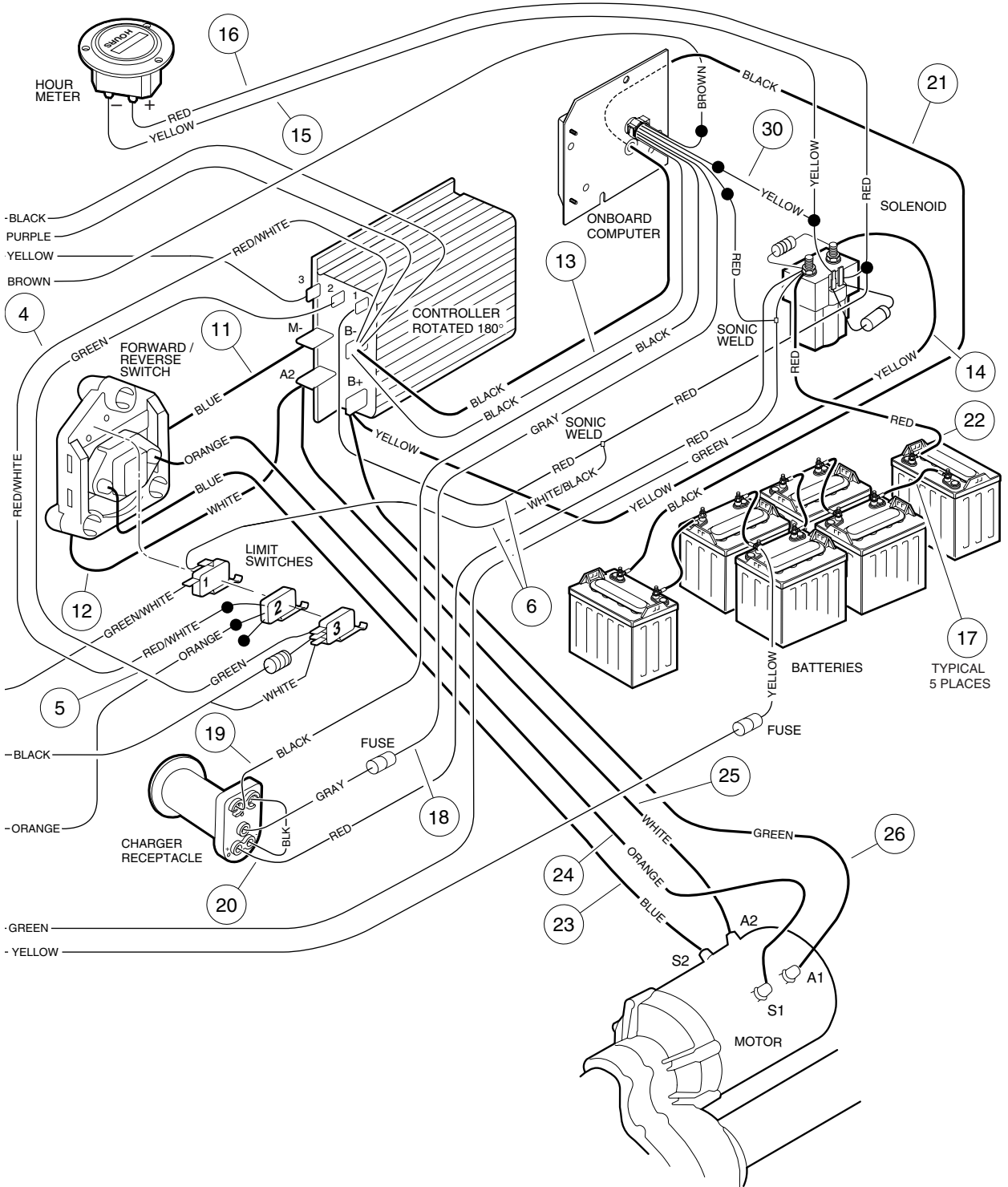
ITEM	PART NO.	DESCRIPTION	QTY
		<b>1 2 3 4</b> For vehicles with serial numbers lower than 0112-001470.	
	101739201	Assembly, Potentiometer Housing with Gray Plug (includes items 1 - 13) .....	1
1	N/A	Housing, Potentiometer .....	1
2	1017830	Switch, Limit .....	1
3	101822601	Screw, Hex Washer-Head Thread-Forming, #4-24 .....	2
4	101809001	Lever, Potentiometer .....	1
5	1017853	Screw, Hex-Head, #6-32 x 3/4 .....	1
6	1011229	Nut, K-Lock, #6-32 .....	1
7	N/A	Wire Assembly, #18 Blue .....	1
8	N/A	Wire Assembly, #18 Green/White .....	1
9	N/A	Potentiometer .....	1
10	8990	Tie, Wire .....	3
11	N/A	Conduit, Electrical .....	1
12	1017424	Bearing, Pivot Support .....	1
13	101895101	Connector, 3-Pin .....	1
14	101920101	Kit, 3-Pin Plug and Wedge Lock .....	1
15	101804301	Screw, Hi-Lo Hex-Head, #8-18 x 1/2 .....	2
16	1017743	Cover, Accelerator .....	1
17	8233	Nut, Nylon Lock, 1/4-20 .....	4
18	332	Washer, Flat, 1/4 .....	4
19	101861901	Screw, Hex-Head Cap, 1/4-20 x 1-1/8 .....	4

12

E

# ELECTRIC TURF 2 WIRING (CVP)





**12**

**E**

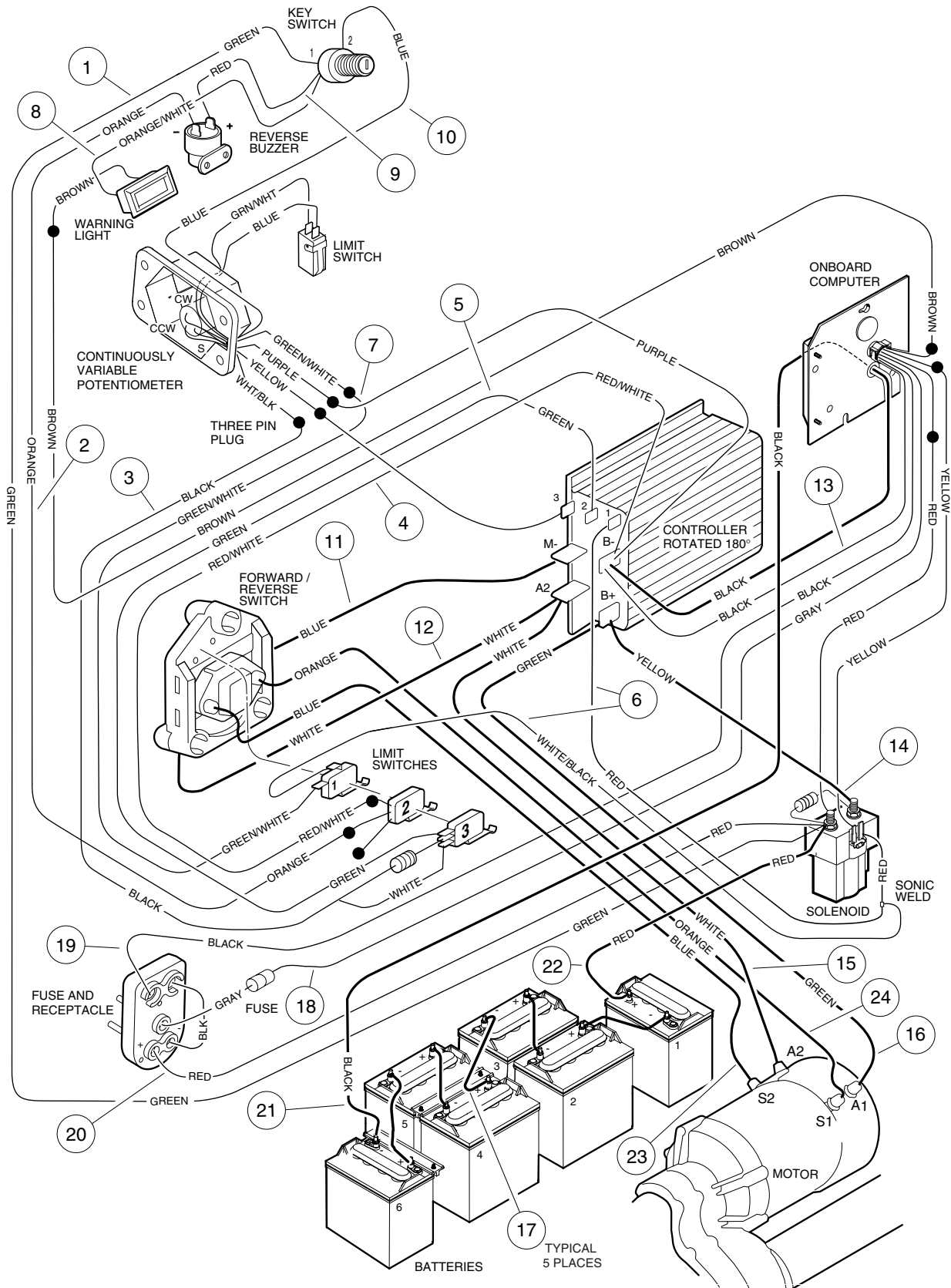
See previous two pages for wiring diagram.

# WIRING – TURF 2 POWERDRIVE VEHICLE WITH CONTINUOUSLY VARIABLE POTENTIOMETER

**12**

**E**

ITEM	PART NO.	DESCRIPTION	QTY
		1 2 3 4 For vehicles with serial numbers lower than 0112-001470.	
	101911601	Wire Harness (includes items 1 - 6) .....	1
1	N/A	Wire Assembly, #18 Green .....	1
2	N/A	Wire Assembly, #18 Orange .....	1
3	101883002	Wire Assembly, #18 Black (includes resistor and #18 white wire) .....	1
4	N/A	Wire Assembly, #18 Red/White .....	1
5	N/A	Wire Assembly, #18 Green .....	1
6	N/A	Wire Assembly, #18 Red, #18 White/Black .....	1
7	N/A	Wire Assembly, #18 Green/White .....	1
8	N/A	Wire Assembly, #18 Orange/White (part of battery light) .....	1
9	N/A	Wire Assembly, #18 Red .....	1
10	N/A	Wire Assembly, #18 Blue (part of potentiometer assembly) .....	1
11	101908801	Wire Assembly, #6 Blue .....	1
12	1016729	Wire Assembly, #6 White .....	1
13	N/A	Wire Assembly, #10 Black (part of onboard computer assembly) .....	1
14	1016732	Wire Assembly, #6 Yellow .....	1
15	N/A	Wire Assembly, #18 Yellow .....	1
16	N/A	Wire Assembly, #18 Red .....	1
17	101795701	Wire Assembly, #6 Black .....	5
18	N/A	Wire Assembly, #18 Gray (part of onboard computer assembly) .....	1
19	N/A	Wire Assembly, #10 Black (part of onboard computer assembly) .....	1
20	N/A	Wire Assembly, #10 Red (part of fuse and receptacle assembly) .....	1
21	N/A	Wire Assembly, #6 Black .....	1
22	101904501	Wire Assembly, #6 Red .....	1
23	101904601	Wire Assembly, #6 Blue .....	1
24	101904701	Wire Assembly, #6 Orange .....	1
25	101908901	Wire Assembly, #6 White .....	1
26	101904401	Wire Assembly, #6 Green .....	1
	101828101	Wire Harness, Headlight (includes items 27 - 29).....	1
27	N/A	Wire Assembly, #16 Blue .....	1
28	N/A	Wire Assembly, #16 Black .....	1
29	N/A	Wire Assembly, #16 Yellow .....	1
30	N/A	Wire Assembly, #18 Yellow .....	1



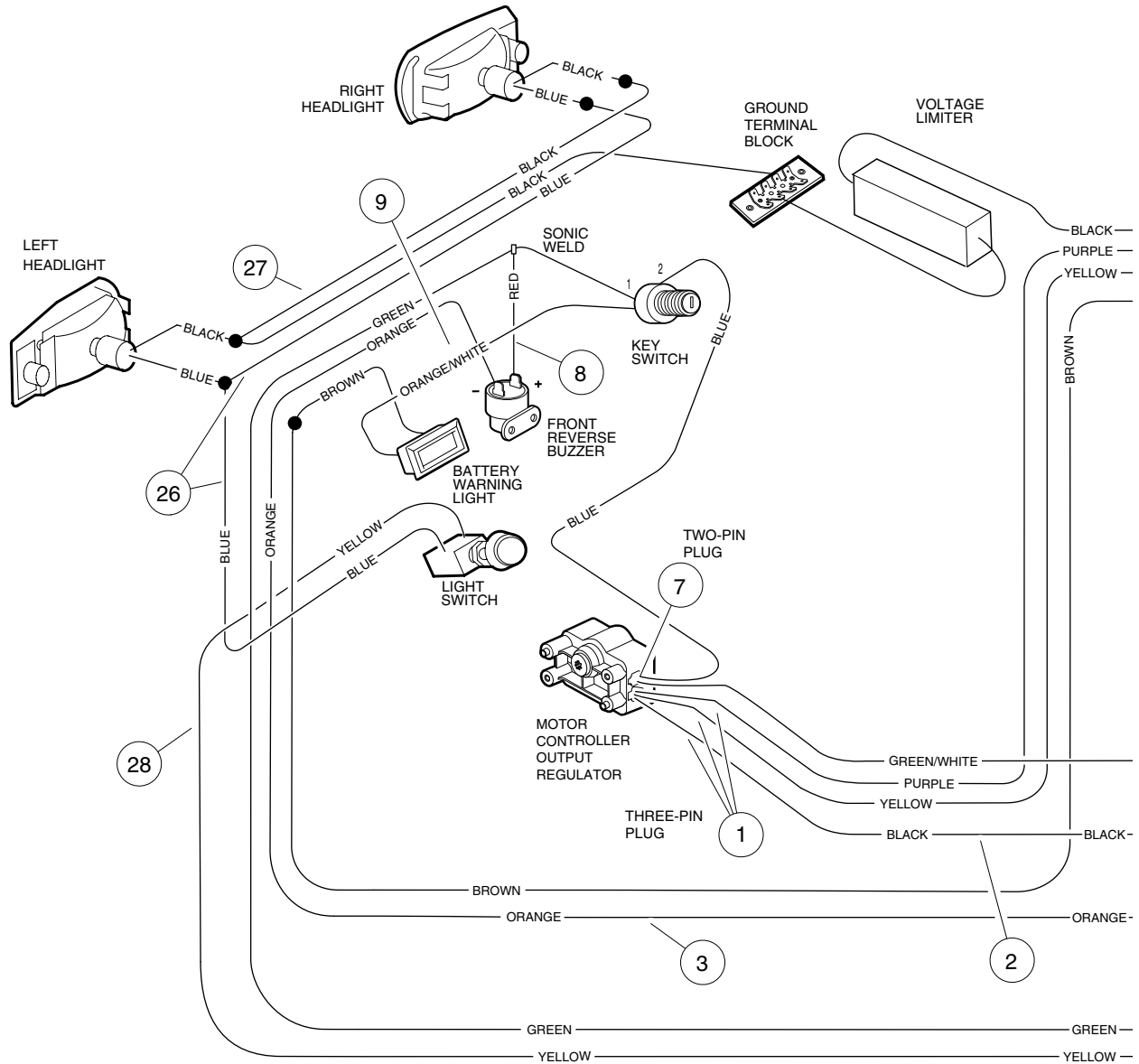
# WIRING – CARRYALL 2 POWERDRIVE VEHICLE WITH CONTINUOUSLY VARIABLE POTENTIOMETER

ITEM	PART NO.	DESCRIPTION	QTY
		<b>1 2 3 4</b> For vehicles with serial numbers lower than 0112-001470.	
	101911601	Wire Harness (includes items 1 - 6) .....	1
1	N/A	Wire Assembly, #18 Green .....	1
2	N/A	Wire Assembly, #18 Orange .....	1
3	101883002	Wire Assembly, #18 Black (includes resistor and #18 white wire) .....	1
4	N/A	Wire Assembly, #18 Red/White .....	1
5	N/A	Wire Assembly, #18 Green .....	1
6	N/A	Wire Assembly, #18 Red, #18 White/Black .....	1
7	N/A	Wire Assembly, #18 Green/White .....	1
8	N/A	Wire Assembly, #18 Orange/White (part of battery light) .....	1
9	N/A	Wire Assembly, #18 Red .....	1
10	N/A	Wire Assembly, #18 Blue (part of potentiometer assembly) .....	1
11	101908801	Wire Assembly, #6 Blue .....	1
12	1016729	Wire Assembly, #6 White .....	1
13	N/A	Wire Assembly, #10 Black (part of onboard computer assembly) .....	1
14	1016732	Wire Assembly, #6 Yellow .....	1
15	101908901	Wire Assembly, #6 White .....	1
16	101904401	Wire Assembly, #6 Green .....	1
17	101795701	Wire Assembly, #6 Black .....	5
18	N/A	Wire Assembly, #18 Gray (part of onboard computer assembly) .....	1
19	N/A	Wire Assembly, #10 Black (part of onboard computer assembly) .....	1
20	N/A	Wire Assembly, #10 Red (part of fuse and receptacle assembly) .....	1
21	N/A	Wire Assembly, #6 Black .....	1
22	101904501	Wire Assembly, #6 Red .....	1
23	101904601	Wire Assembly, #6 Blue .....	1
24	101904701	Wire Assembly, #6 Orange .....	1

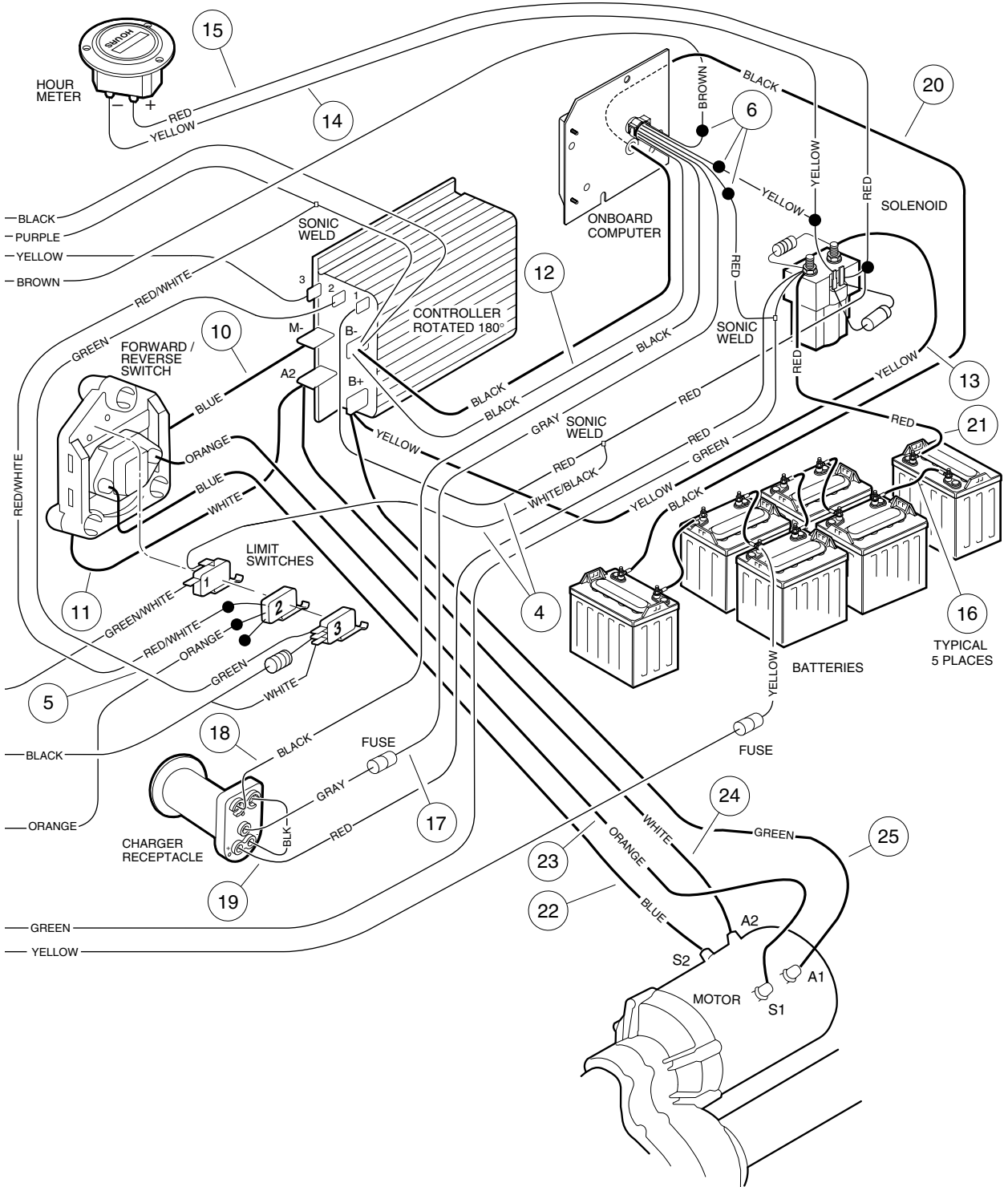
12

E

# ELECTRIC TURF 2 WIRING (MCOR)







**12**

**E**

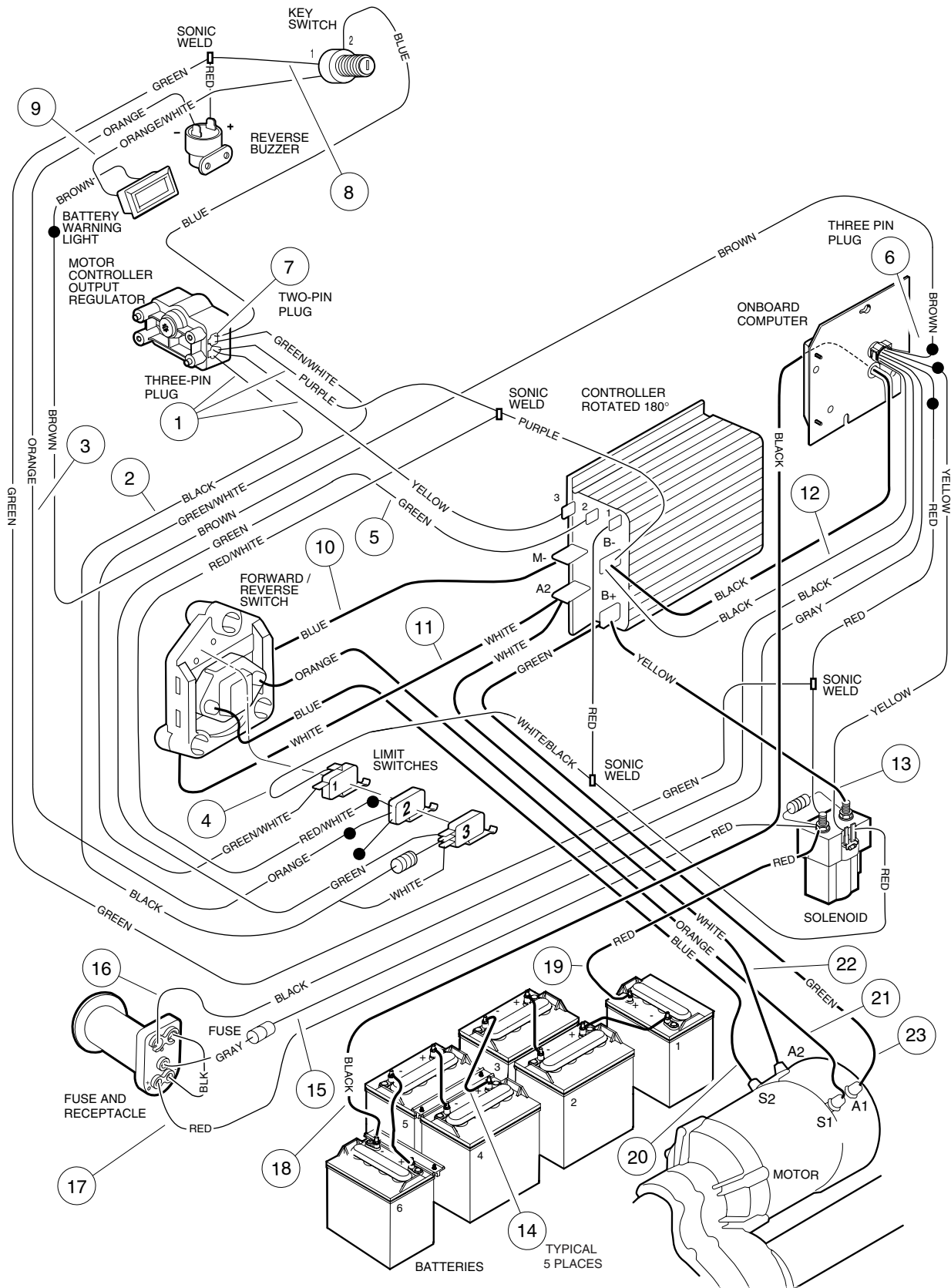
See previous two pages for wiring diagram.

# WIRING – TURF 2 POWERDRIVE VEHICLE WITH MOTOR CONTROLLER OUTPUT REGULATOR

**12**

**E**

ITEM	PART NO.	DESCRIPTION	QTY
		1 2 3 4 For vehicles with serial numbers 0112-001470 and greater.	
	102162501	Wire Harness, Power (includes items 1 - 8) .....	1
1	101865106	Assembly, 3-Wire Plug (includes item 2) .....	1
2	101883002	Wire Assembly, #18 Black (includes resistor and #18 white wire) .....	1
3	N/A	Wire Assembly, #18 Orange .....	1
4	N/A	Wire Assembly, #18 Red and #18 White/Black .....	1
5	N/A	Wire Assembly, #18 Green .....	1
6	101930801	Assembly, 3-Pin Plug .....	1
7	101936801	Kit, 2-Pin Plug and Wedge Lock .....	1
8	N/A	Wire Assembly, #18 Green, #18 Red, #18 Red .....	1
9	N/A	Wire Assembly, #18 Orange/White (part of battery light) .....	1
10	101908801	Wire Assembly, #6 Blue .....	1
11	1016729	Wire Assembly, #6 White .....	1
12	N/A	Wire Assembly, #10 Black (part of onboard computer assembly) .....	1
13	1016732	Wire Assembly, #6 Yellow .....	1
14	N/A	Wire Assembly, #18 Yellow .....	1
15	N/A	Wire Assembly, #18 Red .....	1
16	101795701	Wire Assembly, #6 Black .....	5
17	N/A	Wire Assembly, #18 Gray (part of onboard computer assembly) .....	1
18	N/A	Wire Assembly, #10 Black (part of onboard computer assembly) .....	1
19	N/A	Wire Assembly, #10 Red (part of fuse and receptacle assembly) .....	1
20	N/A	Wire Assembly, #6 Black .....	1
21	101904501	Wire Assembly, #6 Red .....	1
22	101904601	Wire Assembly, #6 Blue .....	1
23	101904701	Wire Assembly, #6 Orange .....	1
24	101908901	Wire Assembly, #6 White .....	1
25	101904401	Wire Assembly, #6 Green .....	1
	101828101	Wire Harness, Headlight (includes items 26 - 28).....	1
26	N/A	Wire Assembly, #16 Blue .....	1
27	N/A	Wire Assembly, #16 Black .....	1
28	N/A	Wire Assembly, #16 Yellow .....	1

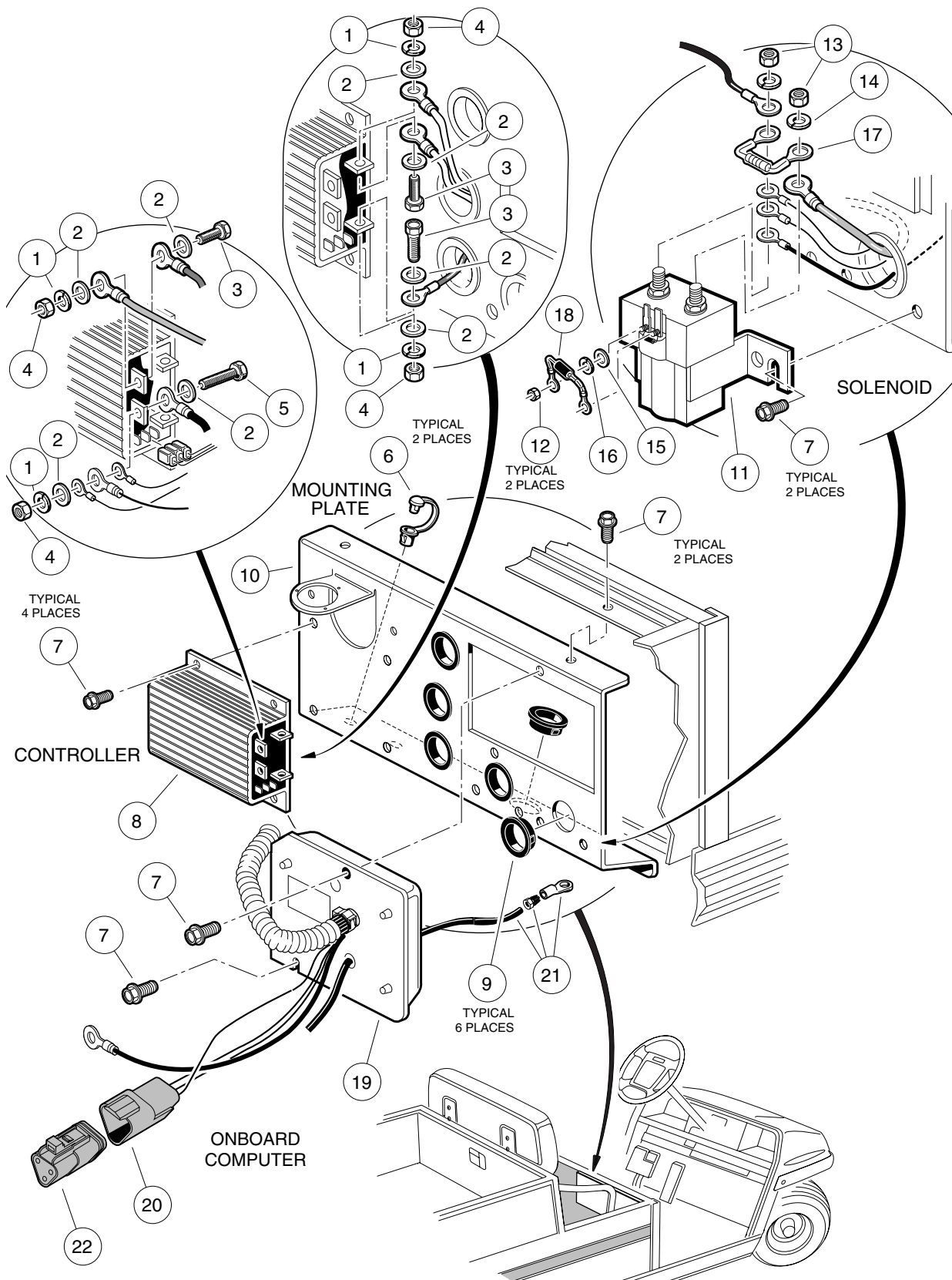


# WIRING – CARRYALL 2 POWERDRIVE VEHICLE WITH MOTOR CONTROLLER OUTPUT REGULATOR

**12**

**E**

ITEM	PART NO.	DESCRIPTION	QTY
		1 2 3 4 For vehicles with serial numbers 0112-001470 and greater.	
	102162501	Wire Harness, Power (includes items 1 - 8) .....	1
1	101865106	Assembly, 3-Wire Plug (includes item 2) .....	1
2	101883002	Wire Assembly, #18 Black (includes resistor and #18 white wire) .....	1
3	N/A	Wire Assembly, #18 Orange .....	1
4	N/A	Wire Assembly, #18 Red, #18 White/Black .....	1
5	N/A	Wire Assembly, #18 Green .....	1
6	101930801	Assembly, 3-Pin Plug .....	1
7	101936801	Kit, 2-Pin Plug and Wedge Lock .....	1
8	N/A	Wire Assembly, #18 Green, #18 Red, #18 Red .....	1
9	N/A	Wire Assembly, #18 Orange/White (part of battery light) .....	1
10	101908801	Wire Assembly, #6 Blue .....	1
11	1016729	Wire Assembly, #6 White .....	1
12	N/A	Wire Assembly, #10 Black (part of onboard computer assembly) .....	1
13	1016732	Wire Assembly, #6 Yellow .....	1
14	101795701	Wire Assembly, #6 Black .....	5
15	N/A	Wire Assembly, #18 Gray (part of onboard computer assembly) .....	1
16	N/A	Wire Assembly, #10 Black (part of onboard computer assembly) .....	1
17	N/A	Wire Assembly, #10 Red (part of fuse and receptacle assembly) .....	1
18	N/A	Wire Assembly, #6 Black .....	1
19	101904501	Wire Assembly, #6 Red .....	1
20	101904601	Wire Assembly, #6 Blue .....	1
21	101904701	Wire Assembly, #6 Orange .....	1
22	101908901	Wire Assembly, #6 White .....	1
23	101904401	Wire Assembly, #6 Green .....	1

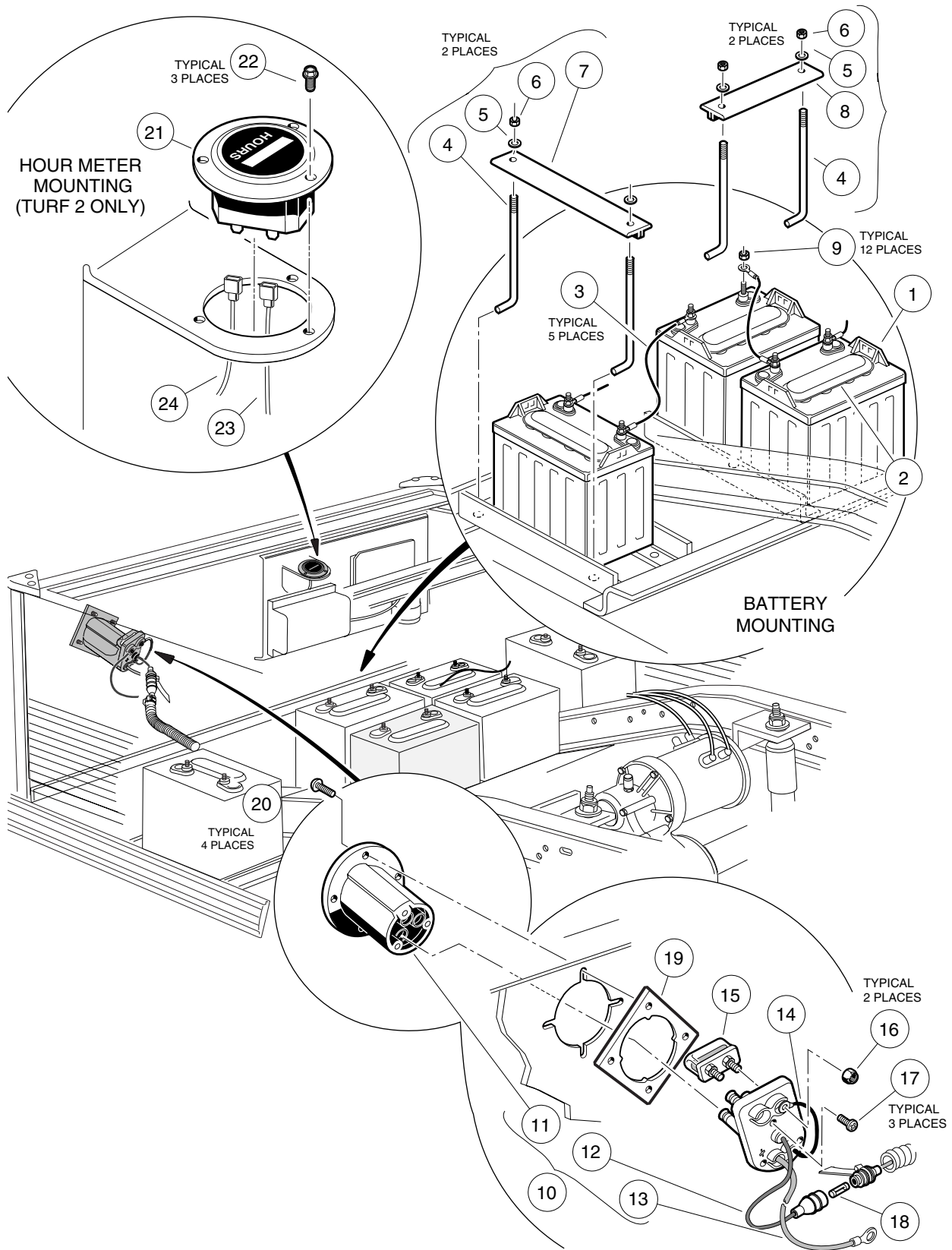


# COMPUTER, CONTROLLER, AND SOLENOID – TURF/CARRYALL 2 POWERDRIVE VEHICLE

ITEM	PART NO.	DESCRIPTION	QTY
		1 2 3 4	
1	7174	Washer, Lock, 5/16 .....	4
2	1241	Washer, Flat, 5/16 .....	8
3	7173	Screw, Hex-Head Cap, 5/16-18 x 3/4 .....	3
4	1242	Nut, Hex, 5/16-18 .....	4
5	1218	Screw, Hex-Head Cap, 5/16-18 x 1-1/4 .....	1
6	101918301	Clamp, Wire .....	2
7	1012285	Screw, Hex-Head Thread-Rolling, 1/4-20 x 5/8 .....	10
8	101840203	Controller, 48-Volt (300-Amp) .....	1
9	101924301	Bushing, Snap .....	6
10	101911701	Plate, Mounting .....	1
11	101908701	Solenoid, 48-Volt (with diode) (includes items 12 - 16) .....	1
12	1016545	Nut, Hex, M5 x .8 .....	2
13	1012528	Nut, Hex, M8 .....	2
14	7174	Washer, Lock, 5/16 .....	2
15	N/A	Washer, Flat .....	2
16	N/A	Washer, Lock .....	2
17	1014947	Assembly, Resistor .....	1
18	1014948	Assembly, Diode (Service Part replacement for existing diode that comes standard with solenoid) .....	1
19	101909905	Computer, Onboard (includes item 20) .....	1
20	101942301	Connector, 3-Pin .....	1
21	101827802	Kit, Wire and Terminal, #6 Black .....	1
22	101920101	Kit, 3-Pin Plug and Wedge Lock .....	1

12

E





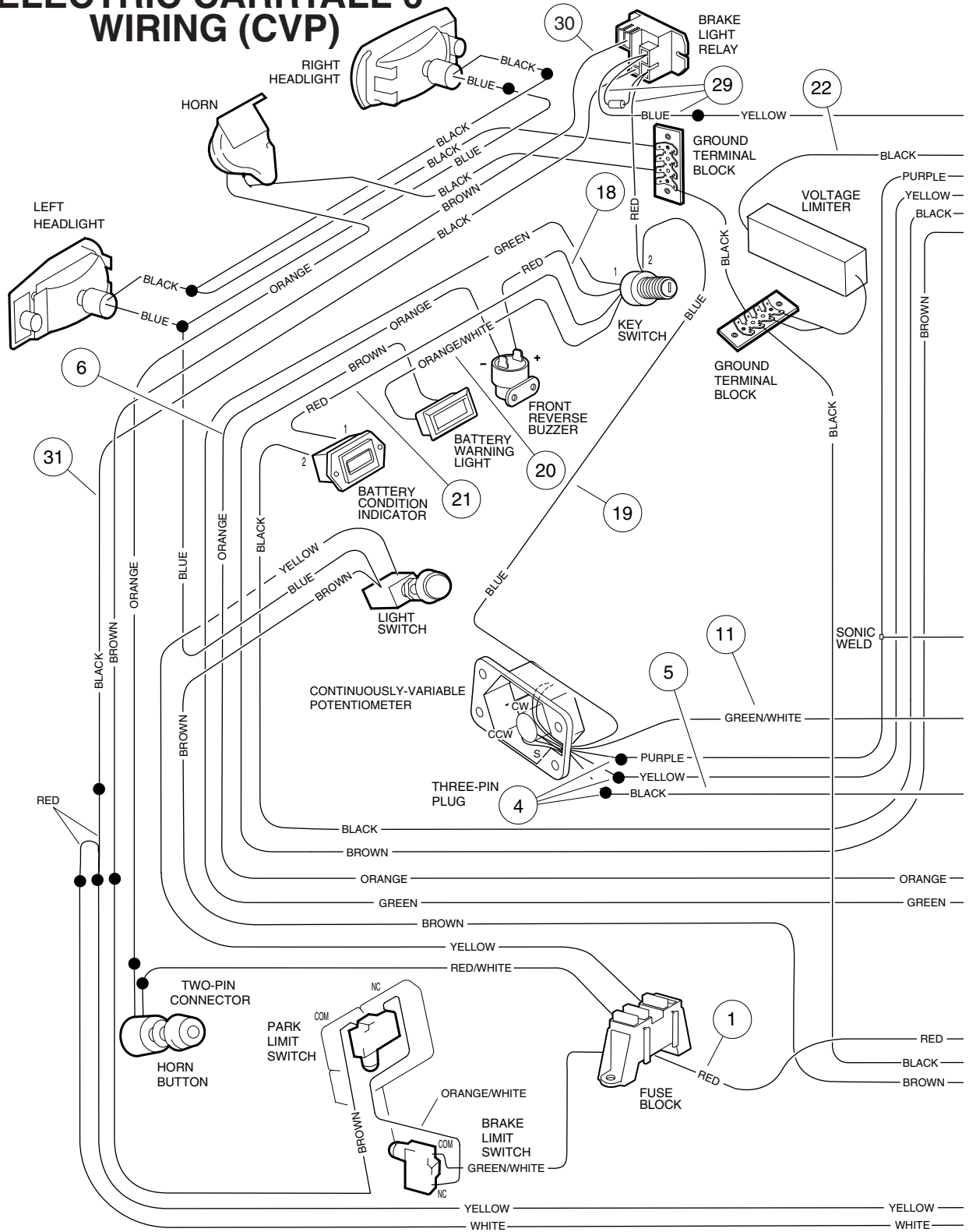
# BATTERIES, CHARGER RECEPTACLE – TURF/CARRYALL 2 POWERDRIVE VEHICLE

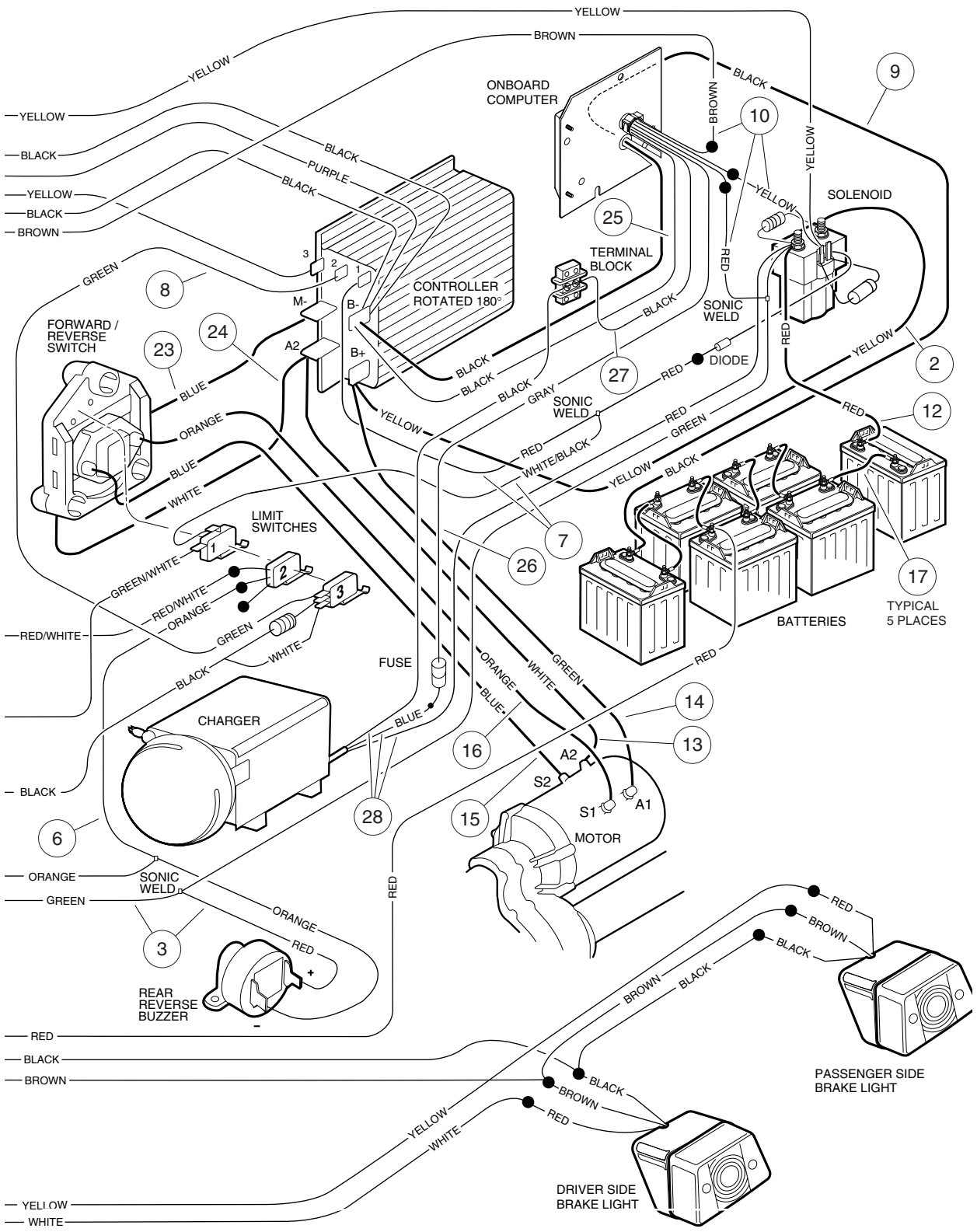
ITEM	PART NO.	DESCRIPTION	QTY
		1 2 3 4	
1	101797701	Battery, 8-Volt PowerDrive (includes item 2) .....	6
1	101797702	Battery, 8-Volt PowerDrive, Dry (includes item 2) .....	6
2	101797801	Cap, Battery, 4 Port Gang .....	1
3	101795701	Wire Assembly, #6 Black .....	5
4	101668201	Rod, Battery Hold-Down .....	8
5	1011578	Washer, Flat, Type B Wide, 5/16 .....	8
6	1015072	Nut, Nylon Lock, Stainless Steel, 5/16 - 18 .....	8
7	101090802	Hold-Down, Battery, Long .....	2
8	101090801	Hold-Down, Battery, Short .....	2
9	1014304	Nut, Hex, Stainless Steel, 5/16 -18 .....	12
10	101802101	Kit, Fuse and Receptacle (includes items 11 - 18) .....	1
11	101796501	Bezel, Receptacle .....	1
12	N/A	Wire Assembly, Sense Lead, Gray .....	1
13	N/A	Wire Assembly, #10 Red .....	1
14	N/A	Wire Assembly, #10 Black .....	1
15	101796801	Assembly, Fuse, 48-Volt (includes item 16) .....	1
16	1013061	Nut, Nylon Lock, #10 .....	2
17	1017705	Screw, Phillips Pan-Head, Type AB, #8 .....	3
18	101894901	Fuse, 3/8-Amp .....	1
19	101801001	Plate, Receptacle Backing .....	1
20	101832001	Screw, Phillips Pan-Head, #7-18 x 3/4 .....	4
21	1016877	Meter, Hour .....	1
22	1014540	Screw, Thread-Rolling, #6-32 x 3/8 .....	3
23	N/A	Wire Assembly, #18 Yellow .....	1
24	N/A	Wire Assembly, #18 Red .....	1

**12**

**E**

# ELECTRIC CARRYALL 6 WIRING (CVP)





**12**

**E**

See previous two pages for wiring diagram.

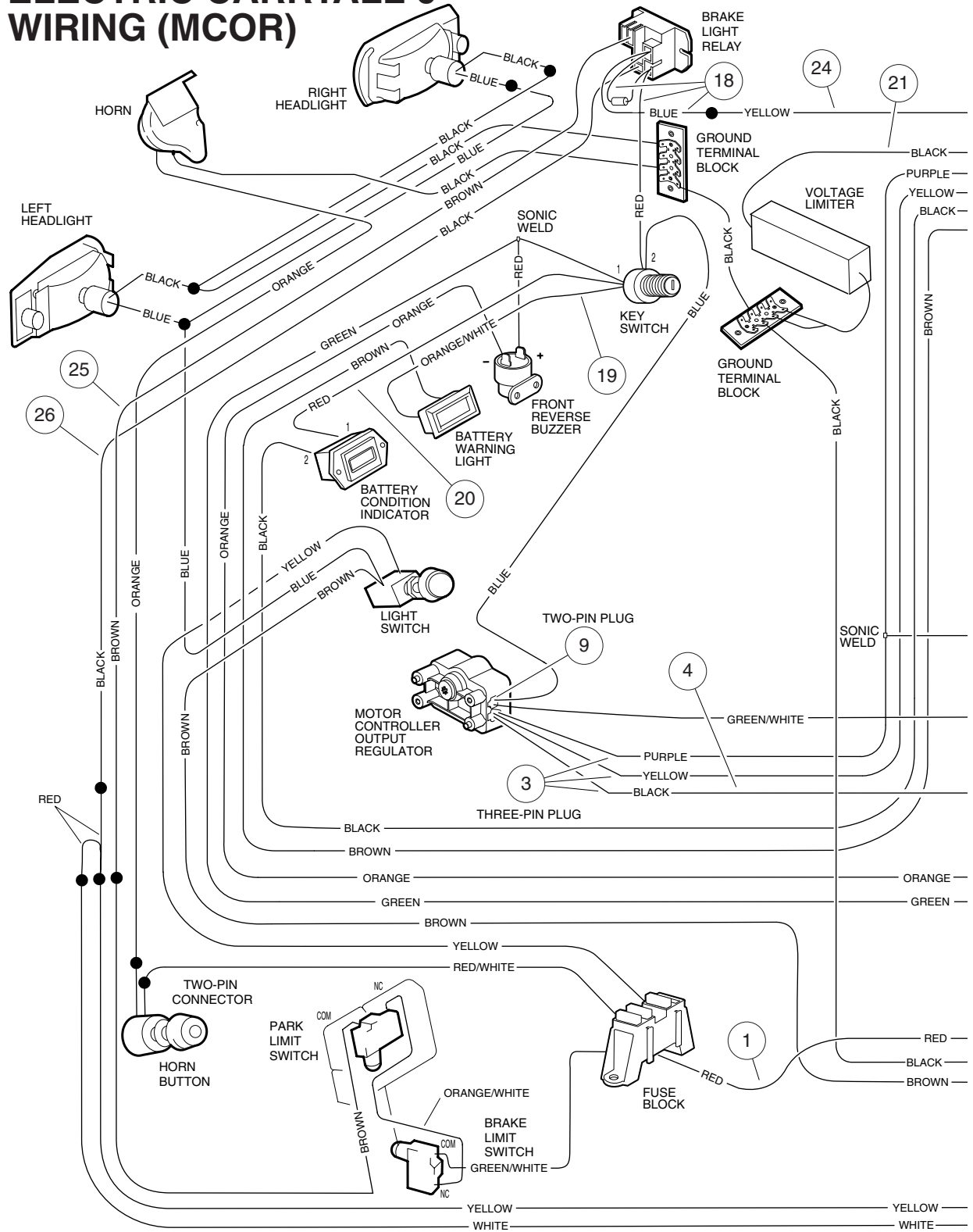
# WIRING – CARRYALL 6 POWERDRIVE VEHICLE WITH CONTINUOUSLY VARIABLE POTENTIOMETER

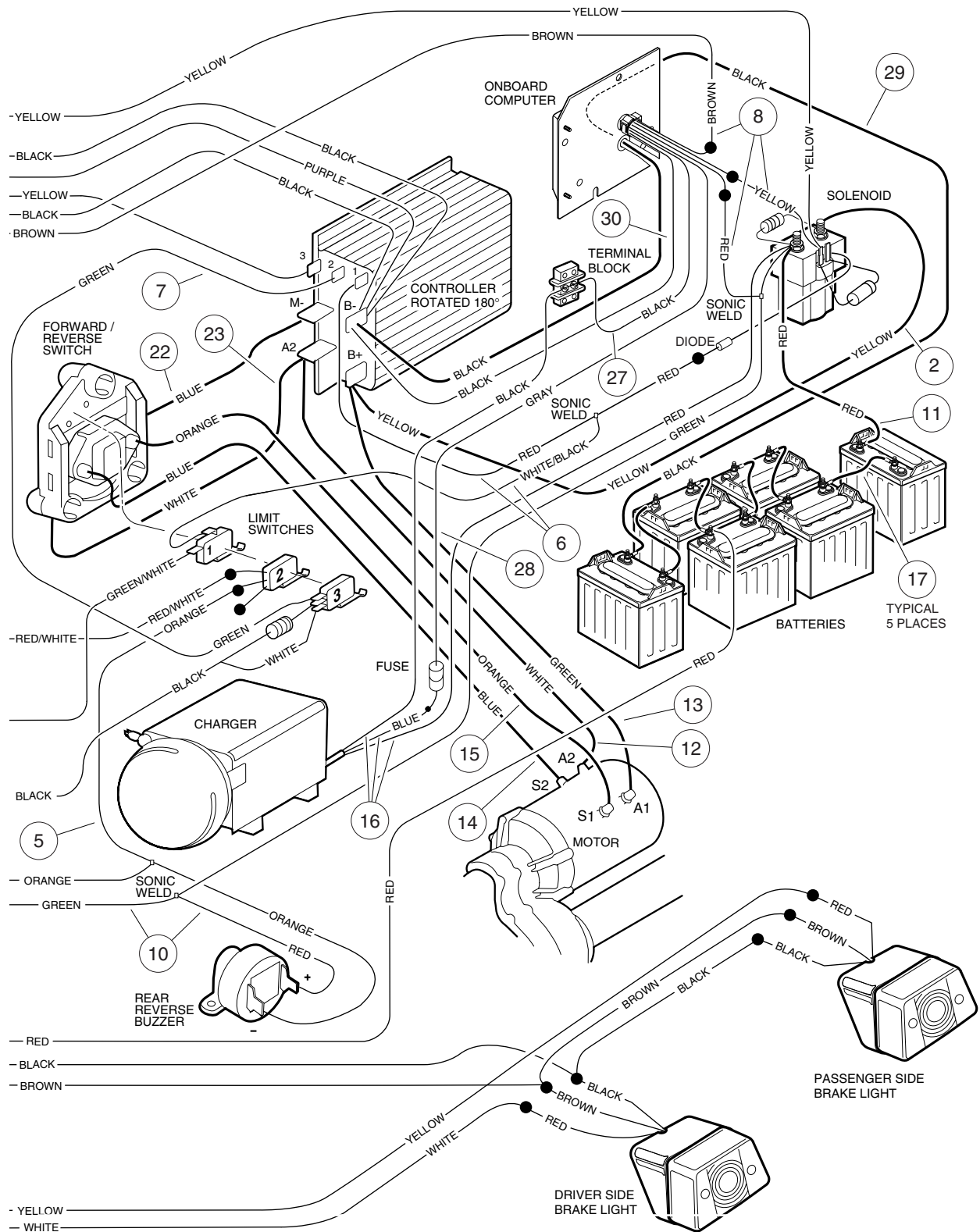
**12**

**E**

ITEM	PART NO.	DESCRIPTION	QTY
		1 2 3 4	
	101989901	Wire Harness, Lighting (includes #16 black, #18 red, #14 black, #16 brown, #18 black, #16 white, #16 red/white, #16 yellow, #16 orange, #16 black, #16 green/white, #14 yellow, #16 orange/white, #16 brown, #16 blue, #18 orange, #18 red, #18 black, #16 black wire assembly and item 1) .....	1
1	1016698	Wire Assembly, #10 Red .....	1
2	1016732	Wire Assembly, #6 Yellow .....	1
	101911601	Wire Harness, Power (includes items 3 - 11) .....	1
3	N/A	Wire Assembly, #18 Green and #18 Red .....	1
4	101865106	Assembly, 3-Wire Plug (includes item 5) .....	1
5	101883002	Wire Assembly, #18 Black (includes resistor and #18 white wire) .....	1
6	N/A	Wire Assembly, #18 Orange .....	1
7	N/A	Wire Assembly, #18 Red, White/Black .....	1
8	N/A	Wire Assembly, #18 Green .....	1
9	N/A	Wire Assembly, #6 Black .....	1
10	101930801	Assembly, 3-Pin Plug .....	1
11	N/A	Wire Assembly, #18 Green/White .....	1
12	101904502	Wire Assembly, #6 Red .....	1
13	101908902	Wire Assembly, #6 White .....	1
14	101904402	Wire Assembly, #6 Green .....	1
15	101904602	Wire Assembly, #6 Blue .....	1
16	101904702	Wire Assembly, #6 Orange .....	1
17	101795701	Wire Assembly, #6 Black .....	5
18	N/A	Wire Assembly, #18 Red .....	1
19	N/A	Wire Assembly, #18 Blue (part of potentiometer assembly) .....	1
20	N/A	Wire Assembly, #18 Orange/White .....	1
21	N/A	Wire Assembly, #18 Red .....	1
22	N/A	Wire Assembly, #10 Black (part of voltage limiter assembly) .....	1
23	101908801	Wire Assembly, #6 Blue .....	1
24	1016729	Wire Assembly, #6 White .....	1
25	N/A	Wire Assembly, #10 Black (part of onboard computer assembly) .....	1
26	N/A	Wire Assembly, #18 Gray (part of onboard computer assembly) .....	1
27	N/A	Wire Assembly, #10 Black (part of onboard computer assembly) .....	1
28	101829101	DC Cord, #10 Blue, #10 Red, #10 Black (part of charger) .....	1
29	101914401	Assembly, Voltage Suppressor (includes #18 red and #18 blue) .....	1
30	N/A	Wire Assembly, #18 Brown (part of brake relay kit) .....	1
31	N/A	Wire Assembly, #18 Black (part of brake relay kit) .....	1

# ELECTRIC CARRYALL 6 WIRING (MCOR)





**12**

**E**

See previous two pages for wiring diagram.

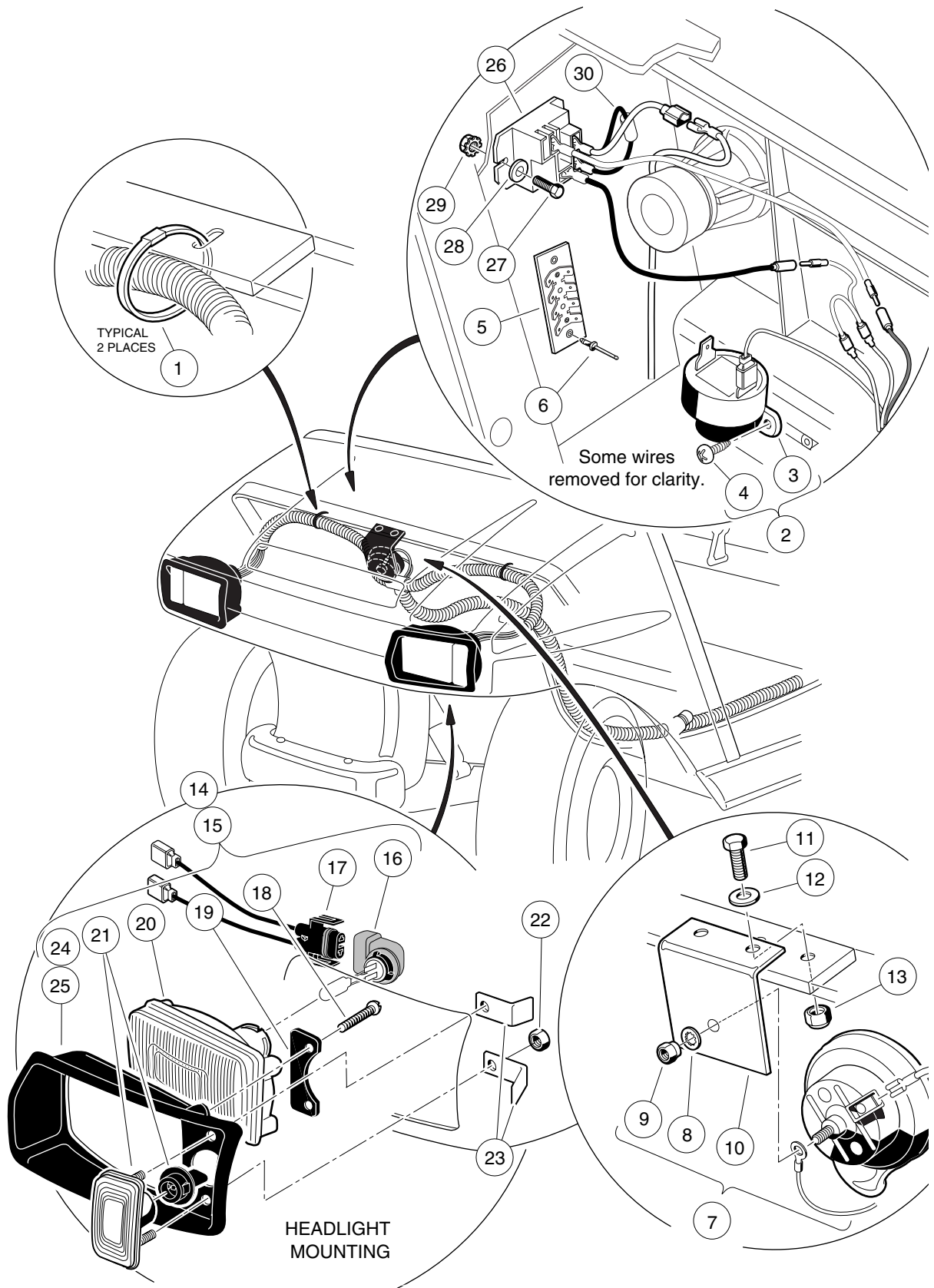


# WIRING – CARRYALL 6 POWERDRIVE VEHICLE WITH MOTOR CONTROLLER OUTPUT REGULATOR

**12**

**E**

ITEM	PART NO.	DESCRIPTION	QTY
		1 2 3 4	
	101989901	Wire Harness, Lighting (includes #16 black, #18 red, #14 black, #16 brown, #18 black, #16 white, #16 red/white, #16 yellow, #16 orange, #16 black, #16 green/white, #14 yellow, #16 orange/white, #16 brown, #16 blue, #18 orange, #18 red, #18 black, #16 black wire assembly and item 1) .....	1
1	1016698	Wire Assembly, #10 Red .....	1
2	1016732	Wire Assembly, #6 Yellow .....	1
	102162501	Wire Harness, Power (includes items 3 - 10) .....	1
3	101865106	Assembly, 3-Wire Plug (includes item 4) .....	1
4	101883002	Wire Assembly, #18 Black (includes resistor and #18 white wire) .....	1
5	N/A	Wire Assembly, #18 Orange .....	1
6	N/A	Wire Assembly, #18 Red and #18 White/Black .....	1
7	N/A	Wire Assembly, #18 Green .....	1
8	101930801	Assembly, 3-Pin Plug .....	1
9	101936801	Kit, 2-Pin Plug and Wedge Lock .....	1
10	N/A	Wire Assembly, #18 Green and #18 Red .....	1
11	101904502	Wire Assembly, #6 Red .....	1
12	101908902	Wire Assembly, #6 White .....	1
13	101904402	Wire Assembly, #6 Green .....	1
14	101904602	Wire Assembly, #6 Blue .....	1
15	101904702	Wire Assembly, #6 Orange .....	1
16	101829101	DC Cord, #10 Blue, #10 Red, #10 black (part of charger) .....	1
17	101795701	Wire Assembly, #6 Black .....	5
18	101914401	Assembly, Voltage Suppressor (includes #18 blue and #18 red) .....	1
19	N/A	Wire Assembly, #18 Orange/White .....	1
20	N/A	Wire Assembly, #18 Red .....	1
21	N/A	Wire Assembly, #10 Black (part of voltage limiter assembly) .....	1
22	101908801	Wire Assembly, #6 Blue .....	1
23	1016729	Wire Assembly, #6 White .....	1
24	N/A	Wire Assembly, #18 Yellow .....	1
25	N/A	Wire Assembly, #18 Brown .....	1
26	N/A	Wire Assembly, #18 Black .....	1
27	N/A	Wire Assembly, #10 Black (part of onboard computer assembly) .....	1
28	N/A	Wire Assembly, #18 Gray (part of onboard computer assembly) .....	1
29	N/A	Wire Assembly, #6 Black .....	1
30	N/A	Wire Assembly, #10 Black (part of onboard computer assembly) .....	1

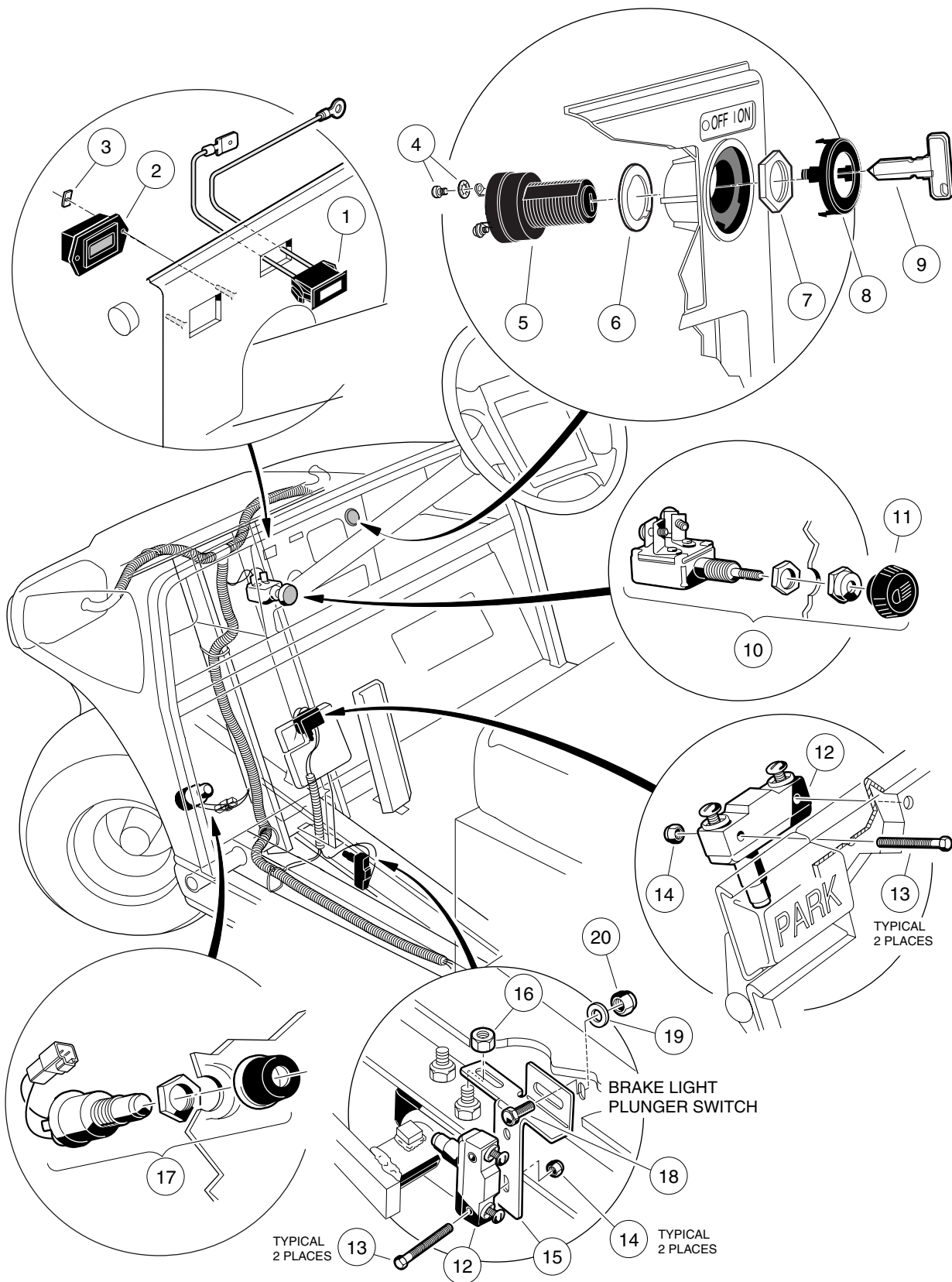


# ELECTRICAL COMPONENTS, FRONT BODY – CARRYALL 6 POWERDRIVE VEHICLE

**12**

**E**

ITEM	PART NO.	DESCRIPTION	QTY
		1 2 3 4	
1	8639	Tie, Wire .....	2
2	1016859	Kit, Reverse Buzzer (includes items 3 and 4) .....	1
3	1016851	Buzzer, Reverse .....	1
4	1016849	Screw, Pan-Head Hi-Lo, #4-24 x 5/16 .....	2
5	1016356	Block, Terminal .....	1
6	1013357	Rivet, Aluminum Pop, 5/32 x 3/8 .....	2
7	4029	Assembly, Horn (includes items 8, 9 and 10) .....	1
8	7820	Washer, Internal Tooth, 5/16 .....	1
9	101955101	Nut, M6 x 1.25 .....	1
10	1011825	Bracket, Horn .....	1
11	304	Screw, Hex-Head Cap, 1/4-20 x 1 .....	2
12	332	Washer, Flat, 1/4 .....	2
13	8233	Nut, Nylon Lock, 1/4-20 .....	2
14	101988001	Assembly, Headlight, Driver-Side (includes items 16 - 24) * .....	1
15	101988002	Assembly, Headlight, Passenger-Side (includes items 16 - 23 and 25)* .....	1
16	101988101	Bulb, Halogen .....	1
17	101987901	Harness, Headlight Wire .....	1
18	1013461	Screw, Hi-Lo, #10-16 .....	2
19	1017065	Retainer, Headlight .....	1
20	101988201	Lens, Headlight .....	1
21	1017062	Assembly, Turn Signal Lens .....	1
22	7893	Nut, Hex, #10-32 .....	2
23	1017064	Bracket, Mounting .....	2
24	1016880	Bezel, Headlight, Driver-Side .....	1
25	1016879	Bezel, Headlight, Passenger-Side .....	1
26	101828601	Relay, Brake Light, 48-volt .....	1
27	1017853	Bolt, Hex-Head Machine, 6-32 x 3/4 .....	2
28	7591	Washer, Flat, .....	2
29	1011229	Nut, Lock, Hex, 6-32 .....	2
30	101914401	Assembly, Voltage Suppressor .....	1
		* Headlight assembly is also used for electric Turf 2 vehicles.	

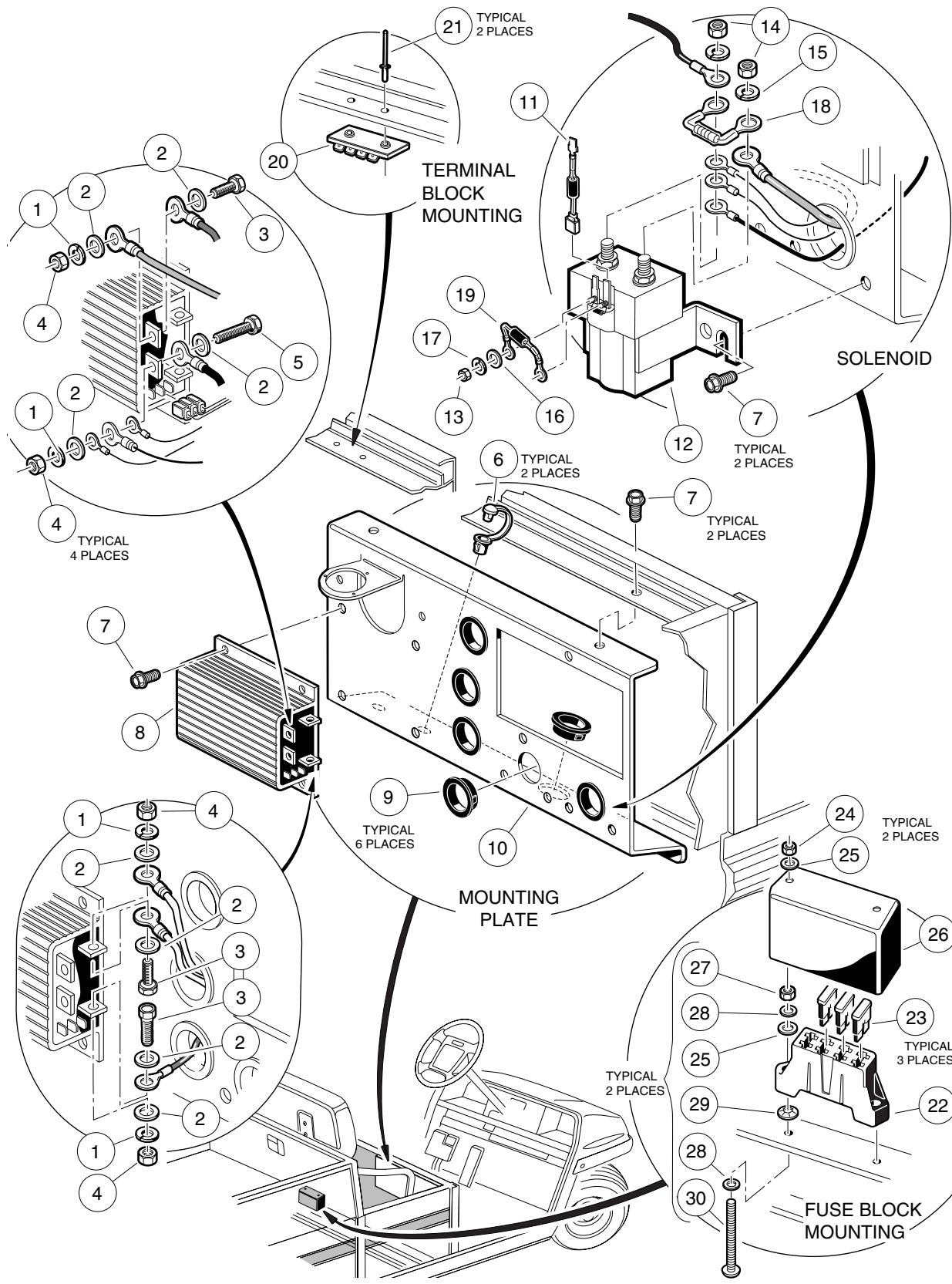


# CONTROLS AND INDICATORS – CARRYALL 6 POWERDRIVE VEHICLE

ITEM	PART NO.	DESCRIPTION	QTY
		1 2 3 4	
1	101935501	Light, Battery Warning (Amber) .....	1
2	101814201	Indicator, Battery Condition .....	1
3	101814701	Retainer, Push On .....	2
4	101830601	Assembly, Screw and Washer .....	2
5	101826201	Switch, Key .....	1
6	101851101	Washer .....	1
7	101830701	Nut, Key Switch .....	1
8	101834502	Cap, Key Switch .....	1
9	1012505	Key (Pair) .....	1
10	4034	Switch, Light (includes item 11) .....	1
11	1013857	Knob, Light Switch .....	1
12	1011439	Switch, Limit .....	2
13	1011557	Screw, Hex-Head Machine, #6-32 x 1 .....	4
14	101932201	Nut, Nylon Lock, #6-32 .....	4
15	101957101	Bracket, Brake Light Switch .....	1
16	1011280	Nut, Lock, 5/16-18 .....	1
17	101969701	Button, Horn .....	1
18	7173	Bolt, Hex-Head, Cap, 5/16-18 x 3/4 .....	1
19	1241	Washer, Flat, 5/16-18 .....	1
20	7473	Nut, Nylon Lock, 5/16-18 .....	1

12

E

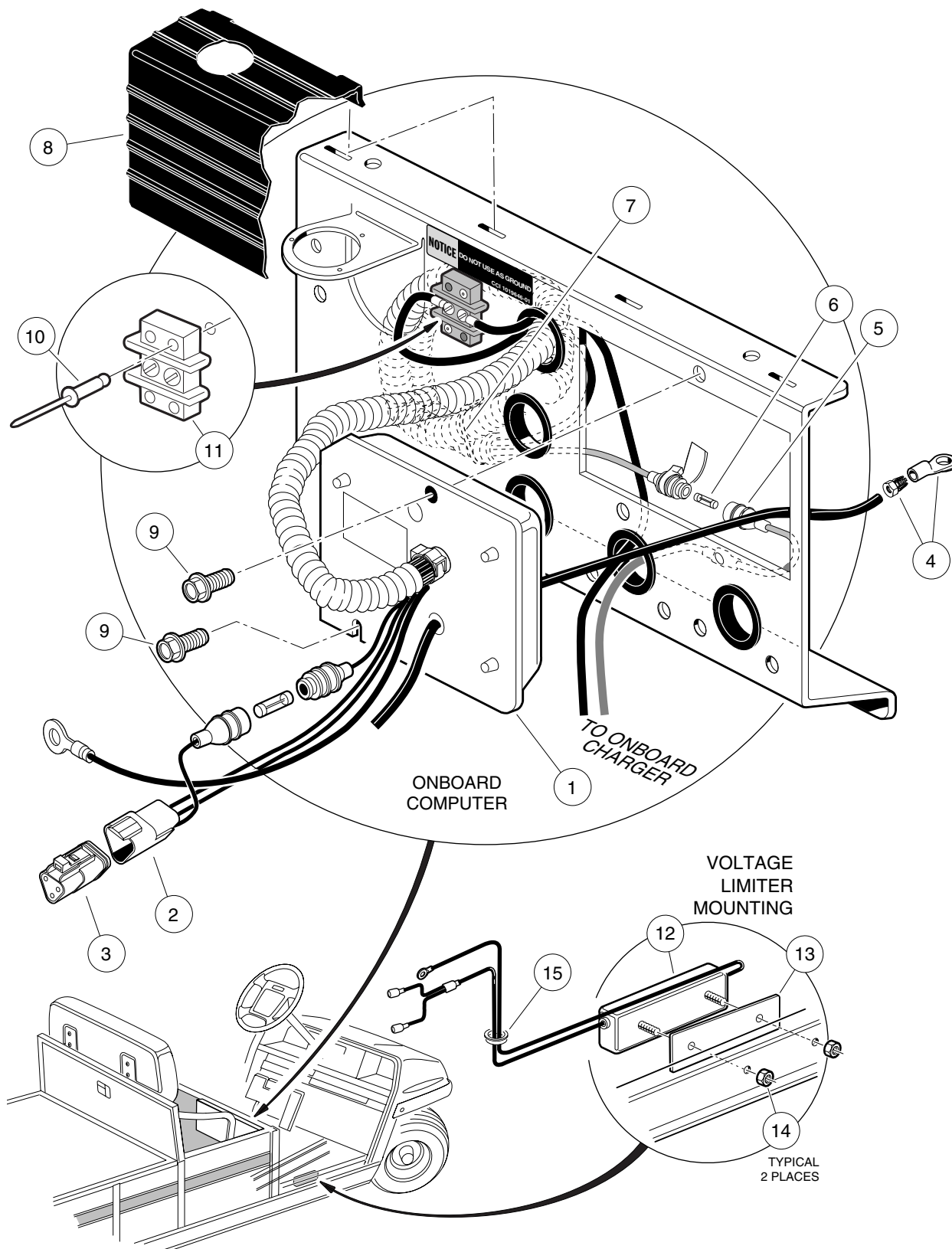


# ELECTRICAL COMPONENTS, CENTER BODY – CARRYALL 6 POWERDRIVE VEHICLE

ITEM	PART NO.	DESCRIPTION	QTY
		1 2 3 4	
1	7174	Washer, Lock, 5/16 .....	4
2	1241	Washer, Flat, 5/16 .....	8
3	7173	Screw, Hex-Head Cap, 5/16-18 x 3/4 .....	3
4	1242	Nut, Hex, 5/16-18 .....	4
5	1218	Screw, Hex-Head Cap, 5/16-18 x 1-1/4 .....	1
6	101918301	Clamp, Wire .....	2
7	1012285	Screw, Hex-Head Thread-Rolling, 1/4-20 x 5/8 .....	8
8	101840203	Controller, 48-Volt (300-Amp) .....	1
9	101924301	Bushing, Snap .....	6
10	101911701	Plate, Mounting .....	1
11	102273101	Assembly, Diode .....	1
12	101908701	Solenoid, 48-Volt (with diode) (includes items 13 - 17) .....	1
13	1016545	Nut, Hex, M5 x .8 .....	2
14	1012528	Nut, Hex, M8 .....	2
15	7174	Washer, Lock, 5/16 .....	2
16	N/A	Washer, Flat .....	2
17	N/A	Washer, Lock .....	2
18	1014947	Assembly, Resistor .....	1
19	1014948	Assembly, Diode (Service Part replacement for existing diode that comes standard with solenoid) .....	1
20	1016356	Block, Terminal .....	1
21	1013357	Rivet, Aluminum Pop, 5/32 .....	2
22	1015741	Block, Fuse .....	1
23	1016423	Fuse, 20-Amp .....	3
24	1012438	Nut, Nylon Lock, #10-24 .....	2
25	183	Washer, Flat, #10 .....	4
26	1016363	Cover, Fuse Block .....	1
27	1017	Nut, Hex, #10-24 .....	2
28	1016	Washer, Lock, #10 .....	4
29	1016631	Nut, Push .....	2
30	1016366	Screw, Round Head, #10-24 x 3 .....	2

12

E



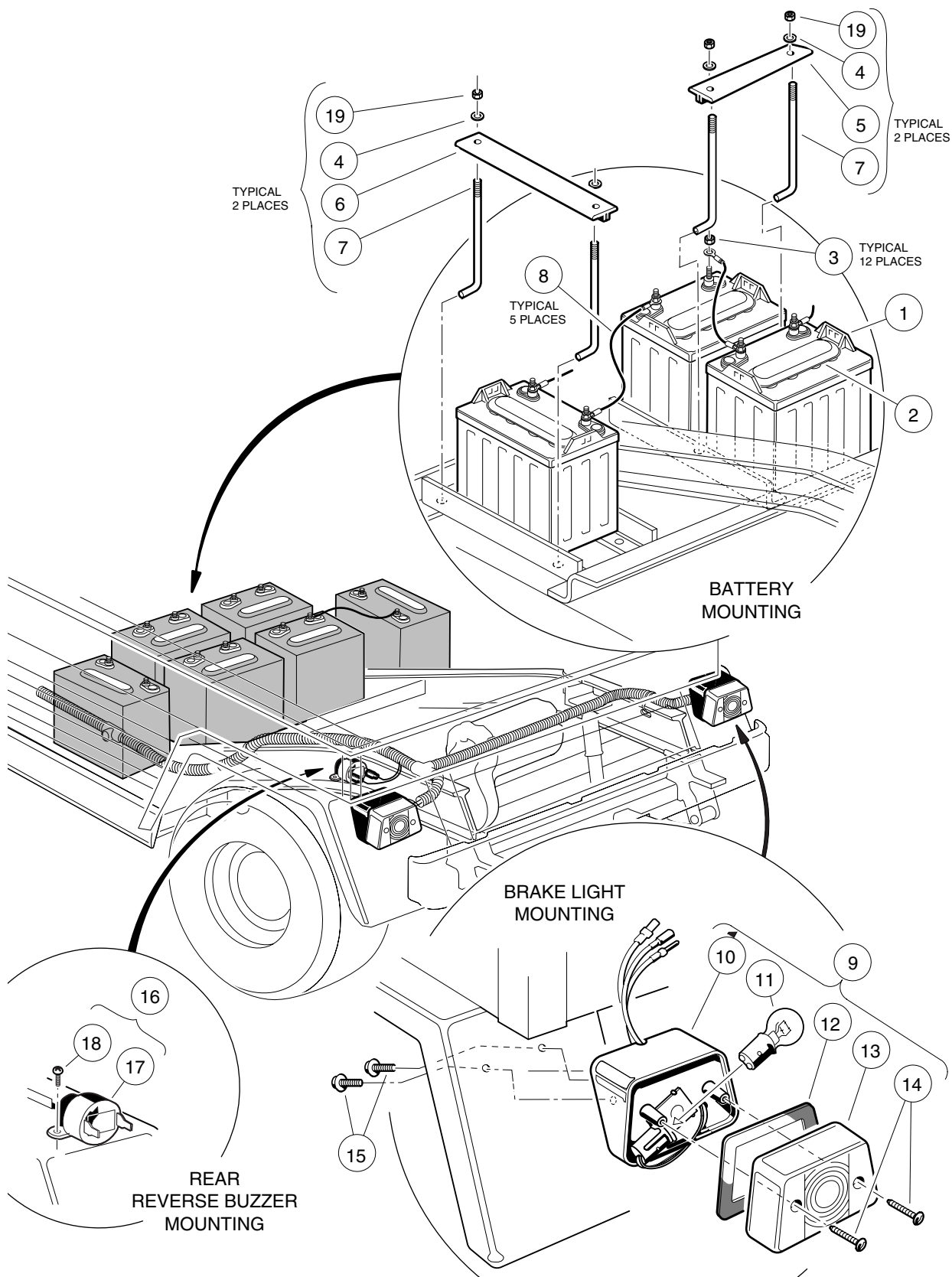


# ELECTRICAL COMPONENTS, CENTER BODY, CONTINUED – CARRYALL 6 POWERDRIVE VEHICLE

ITEM	PART NO.	DESCRIPTION	QTY
		1 2 3 4	
1	101909903	Computer, Onboard (includes item 2) .....	1
2	101942301	Connector, 3-Pin .....	1
3	101920101	Kit, 3-Pin Plug and Wedge Lock .....	1
4	101827802	Kit, Wire and Terminal, #6 Black .....	1
5	101957501	Adapter, Two-Way (includes item 6) .....	1
6	101894901	Fuse, 3/8-Amp .....	1
7	8990	Tie, Wire .....	1
8	101931601	Cover, Component .....	1
9	1012285	Screw, Hex-Head Thread-Rolling, 1/4-20 x 5/8 .....	2
10	101968801	Rivet, Pop, 3/16 x 13/16 .....	2
11	101966801	Block, Terminal .....	1
12	101810801	Limiter, Voltage (includes item 13 and 14) .....	1
13	101962601	Gasket .....	1
14	101835601	Nut, Flanged Lock, 1/4-20 .....	2
15	101802401	Grommet, 5/8 .....	1

12

E



# ELECTRICAL COMPONENTS, REAR BODY – CARRYALL 6 POWERDRIVE VEHICLE

ITEM	PART NO.	DESCRIPTION	QTY
		1 2 3 4	
1	101797701	Battery, 8-Volt PowerDrive (includes item 2) .....	6
1	101797702	Battery, 8-Volt PowerDrive, Dry (includes item 2) .....	6
2	101797801	Cap, Battery, 4 Port Gang .....	1
3	1014304	Nut, Hex, Stainless Steel, 5/16-18 .....	12
4	1011578	Washer, Flat, Type B Wide, 5/16 .....	8
5	101090801	Hold-down, Battery, Short .....	2
6	101090802	Hold-down, Battery, Long .....	2
7	101668201	Rod, Battery Hold-down .....	8
8	101795701	Wire Assembly, #6 Black .....	5
9	1016717	Assembly, Taillight (includes items 10 - 14) .....	2
10	N/A	Housing, Taillight .....	1
11	1011582	Bulb .....	1
12	N/A	Gasket .....	1
13	N/A	Lens .....	1
14	N/A	Screw, Lens .....	2
15	1015752	Screw, Hi-Lo, #12-16 x 5/8 .....	4
16	1016859	Kit, Reverse Buzzer (includes items 17 and 18) .....	1
17	1016851	Buzzer, Reverse .....	1
18	1016849	Screw, Pan-Head Hi-Lo, #4-24 x 5/16 .....	2
19	1015072	Nut, Nylon Lock, Stainless Steel, 5/16-18 .....	8

12

E

**12**

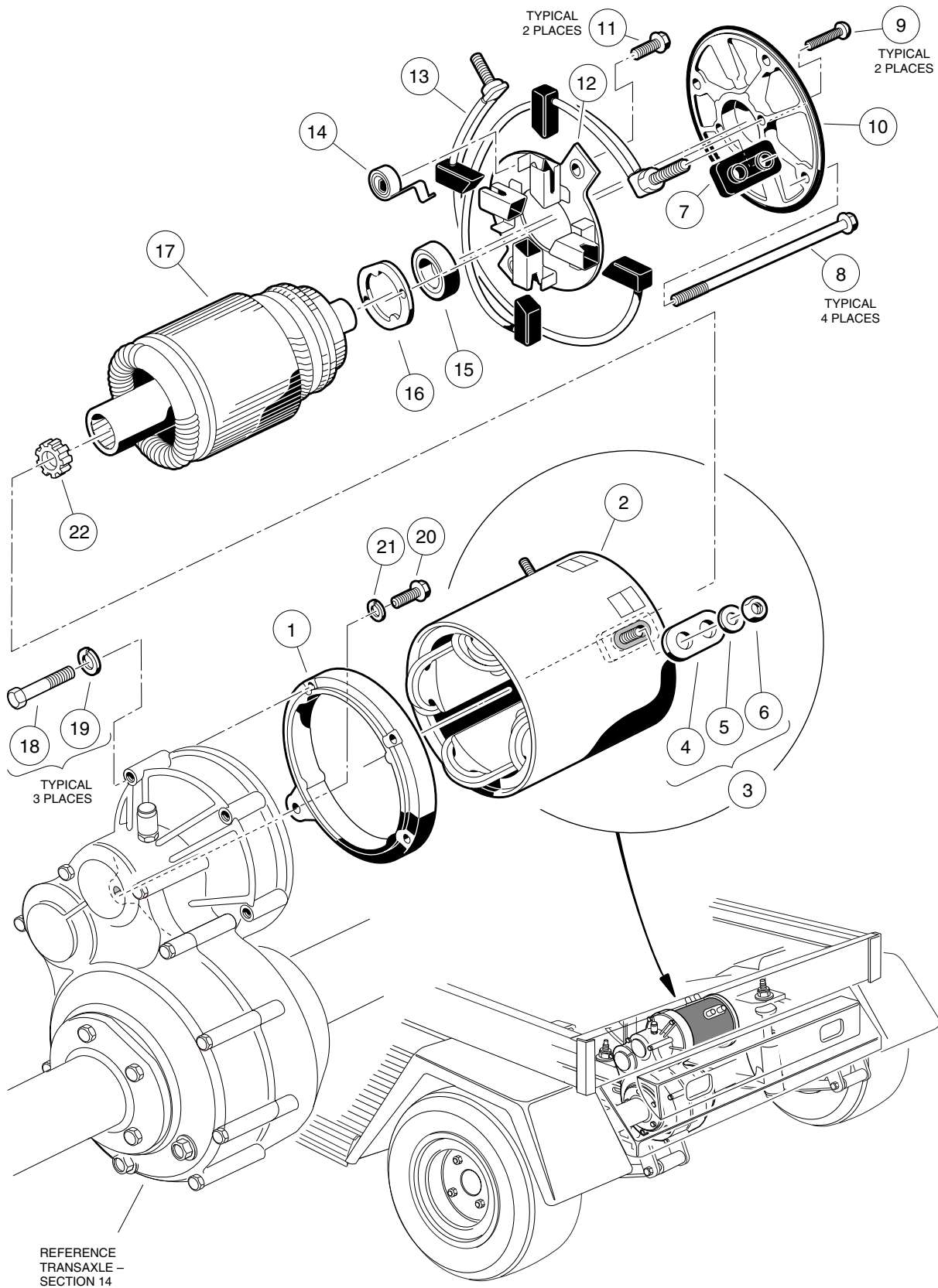
**E**

# ELECTRIC MOTOR

---

13

E



# MOTOR – POWERDRIVE SYSTEM 48 VEHICLE

ITEM	PART NO.	DESCRIPTION	QTY
		1 2 3 4	
	102237701	Assembly, 48-Volt Motor, 3.10-hp (includes items 1 - 17) .....	1
1	1017944	Shield, End .....	1
2	1017958	Assembly, Stator Shell and Winding .....	1
3	1017947	Package, Hardware (includes items 4 - 7) .....	1
4	N/A	Bushing, Insulator .....	2
5	N/A	Washer, Flat, 5/16 .....	4
6	N/A	Nut, Hex, 5/16-18 .....	4
7	N/A	Bushing, Insulator .....	2
8	1017961	Screw, Clamp .....	4
9	1017953	Screw, Bearing Retainer .....	2
10	1017951	Shield, End .....	1
11	1017949	Screw, Brush Holder .....	2
12	1017948	Rigging, Brush .....	1
13	1017946	Package, Brush (2 pieces) (includes 4 brushes).....	1
14	1011411	Package, Brush Spring (4 pieces) .....	1
15	1011290	Bearing, Ball .....	1
16	1017950	Retainer, Bearing .....	1
17	N/A	Armature .....	1
18	1014201	Screw, Hex-Head Cap, 1/4-20 x 2-1/4 .....	3
19	451	Washer, Lock, 1/4 .....	3
20	1010934	Screw, Hex-Head Cap, 5/16-18 x 1 .....	1
21	7174	Washer, Lock, 5/16 .....	1
22	102235201	Bumper, Motor .....	1

13

E

**13**

**E**

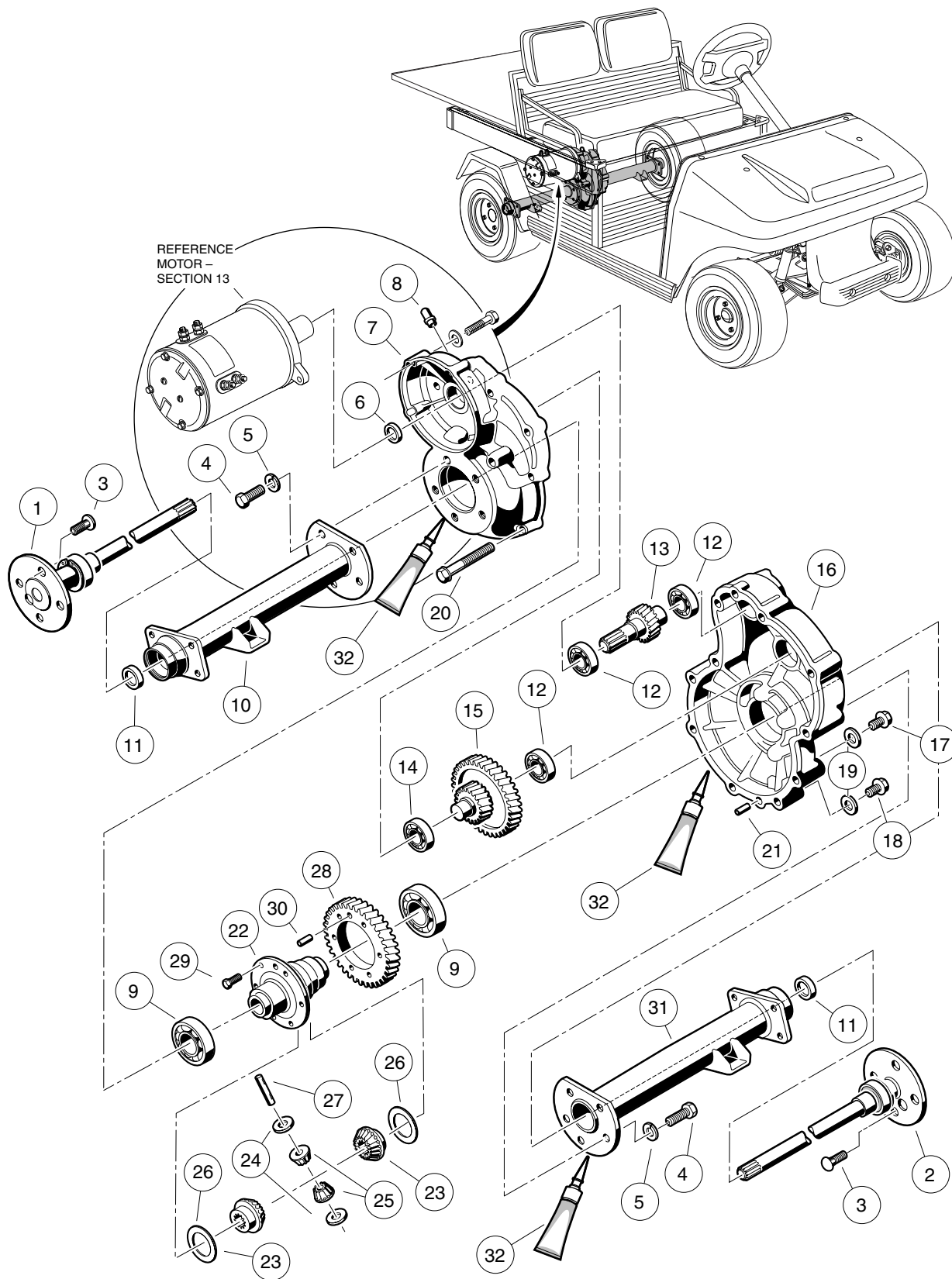


# TRANSAXLE – ELECTRIC VEHICLE

---

14

E



# TRANSAXLE, TYPE G – ELECTRIC VEHICLE

ITEM	PART NO.	DESCRIPTION	QTY
		1 2 3 4	
	101896001	Transaxle, Type G (includes items 1 - 32) .....	1
1	101895801	Axle Assembly, Passenger-Side (includes item 3) .....	1
2	101895901	Axle Assembly, Driver-Side (includes item 3) .....	1
3	101922201	Stud, Lug .....	4
4	101976001	Bolt, M10 x 1.5 x 35 mm .....	10
5	101897901	Washer, Lock .....	10
6	101923501	Seal, Oil, Input Shaft .....	1
7	101895501	Gear Case, Passenger-Side .....	1
8	101897201	Breather .....	1
9	7330	Bearing, Differential .....	2
10	101895601	Assembly, Axle Tube, Passenger-Side .....	1
11	1013794	Seal, Oil, Axle Shaft .....	2
12	7335	Bearing, Input Gear.....	3
13	101923701	Shaft, Input .....	1
14	7336	Bearing, Intermediate Gear .....	1
15	101906901	Assembly, Intermediate Gear .....	1
16	101895401	Gear Case, Driver-Side .....	1
17	101972201	Plug, Fill .....	1
18	101972101	Plug, Magnetic .....	1
19	101923201	Gasket, Plug .....	2
20	101897001	Bolt, M8 x 1.25 x 60 mm .....	11
21	101897601	Pin, Dowel .....	2
22	101923601	Housing, Differential .....	1
23	101923901	Gear, Differential .....	2
24	101903601	Plate, Thrust (idler gear) .....	2
25	101923001	Gear, Differential Idler .....	2
26	101903701	Plate, Thrust .....	2
27	101922101	Pin, Differential .....	1
28	101906201	Gear, Output .....	1
29	101897401	Bolt, M10 x 1.5 x 25 mm .....	4
30	101972401	Pin, Dowel .....	1
31	101895701	Assembly, Axle Tube, Driver-Side .....	1
32	101928701	Gasket, Liquid, 8.8 oz. (250 g) .....	A/R
		<p>Note: Transaxle type is identified by orientation of gear case bolts (item 20).                      The Type G Transaxle has gear case bolt heads facing toward the passenger                      side of the vehicle.</p>	

14

E

**14**

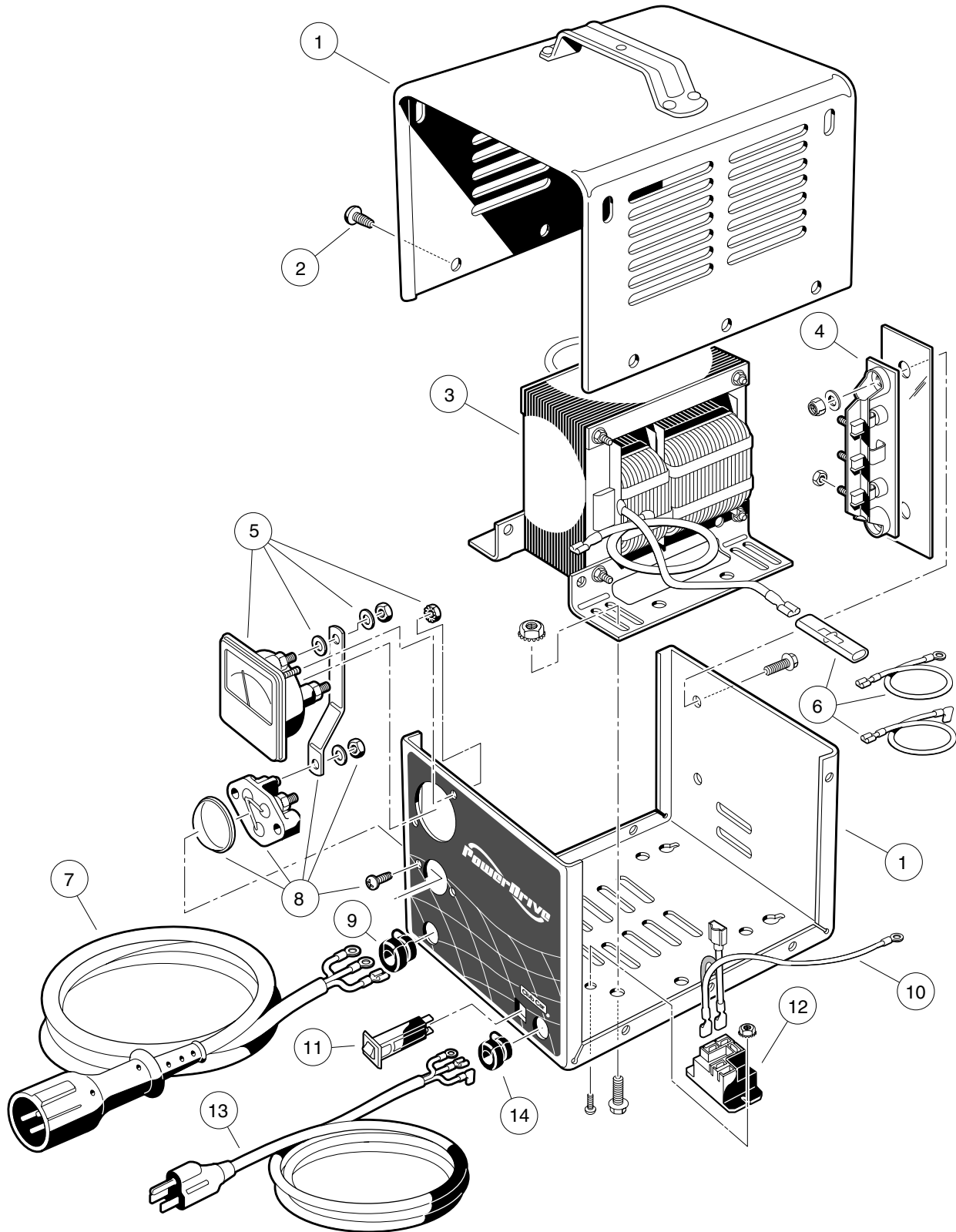
**E**

# BATTERY CHARGER

---

15

E

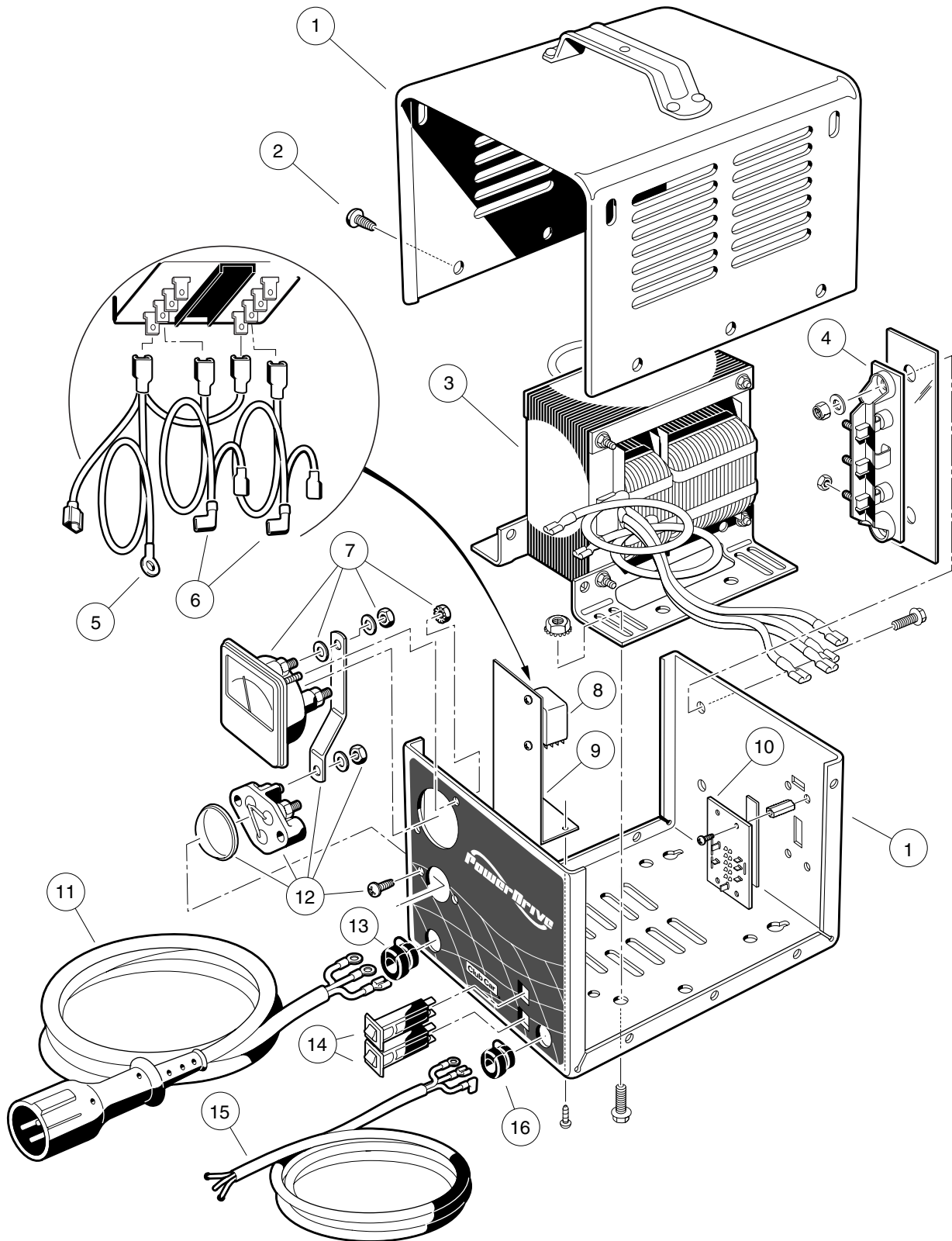


# POWERDRIVE BATTERY CHARGER, DOMESTIC – TURF/CARRYALL 1 AND 2

ITEM	PART NO.	DESCRIPTION	QTY
		1 2 3 4	
	101802201	Charger, Battery, PowerDrive, Domestic 120-V AC 48-V DC 60-Hz (model number 17930-11) (includes items 1 - 14) 103-inch DC cord with male 3-pin plug, 12-AWG 74-inch AC cord with male grounded plug .....	1
	101802202	Charger, Battery, PowerDrive 120-V AC 48-V DC 60-Hz (model number 17930-18) (includes items 1 - 14) 144-inch DC cord with male 3-pin plug, 12-AWG 108-inch AC cord with male grounded plug .....	1
	101802203	Charger, Battery, PowerDrive 120-V AC 48-V DC 60-Hz (model number 17930-19) (includes items 1 - 14) 240-inch DC cord with male 3-pin plug, 12-AWG 108-inch AC cord with male grounded plug .....	1
1	101828301	Assembly, Case (includes fasteners) .....	1
2	7577	Screw, Pan-Head, Self-Tapping, #10-16 x 1/2 .....	10
3	101819701	Assembly, Transformer .....	1
4	1015914	Assembly, Heatsink, with Diodes (includes mounting hardware) .....	1
5	101828501	Ammeter (includes mounting hardware) .....	1
6	101831101	Kit, Wire Assembly .....	1
7	101828901	Cordset, DC, 113-Inch Long with Male 3-Pin Plug, 12-AWG .....	1
7	101828902	Cordset, DC, 154-Inch Long with Male 3-Pin Plug, 12-AWG .....	1
7	101828903	Cordset, DC, 250-Inch Long with Male 3-Pin Plug, 12-AWG .....	1
8	1012101	Assembly, Fuse (includes mounting hardware) .....	1
9	1012098	Bushing, Strain Relief, DC Cord, 12-AWG .....	1
10	101914401	Assembly, Voltage Suppressor .....	1
11	CCX8506	Breaker, Circuit, 15-Amp, 120-V AC .....	1
12	101828601	Relay, Power, 48-V DC .....	1
13	101828801	Cordset, AC, 80-Inch Long .....	1
13	101828802	Cordset, AC, 116-Inch Long .....	1
14	1015917	Bushing, Strain Relief, AC Cord .....	1

15

E



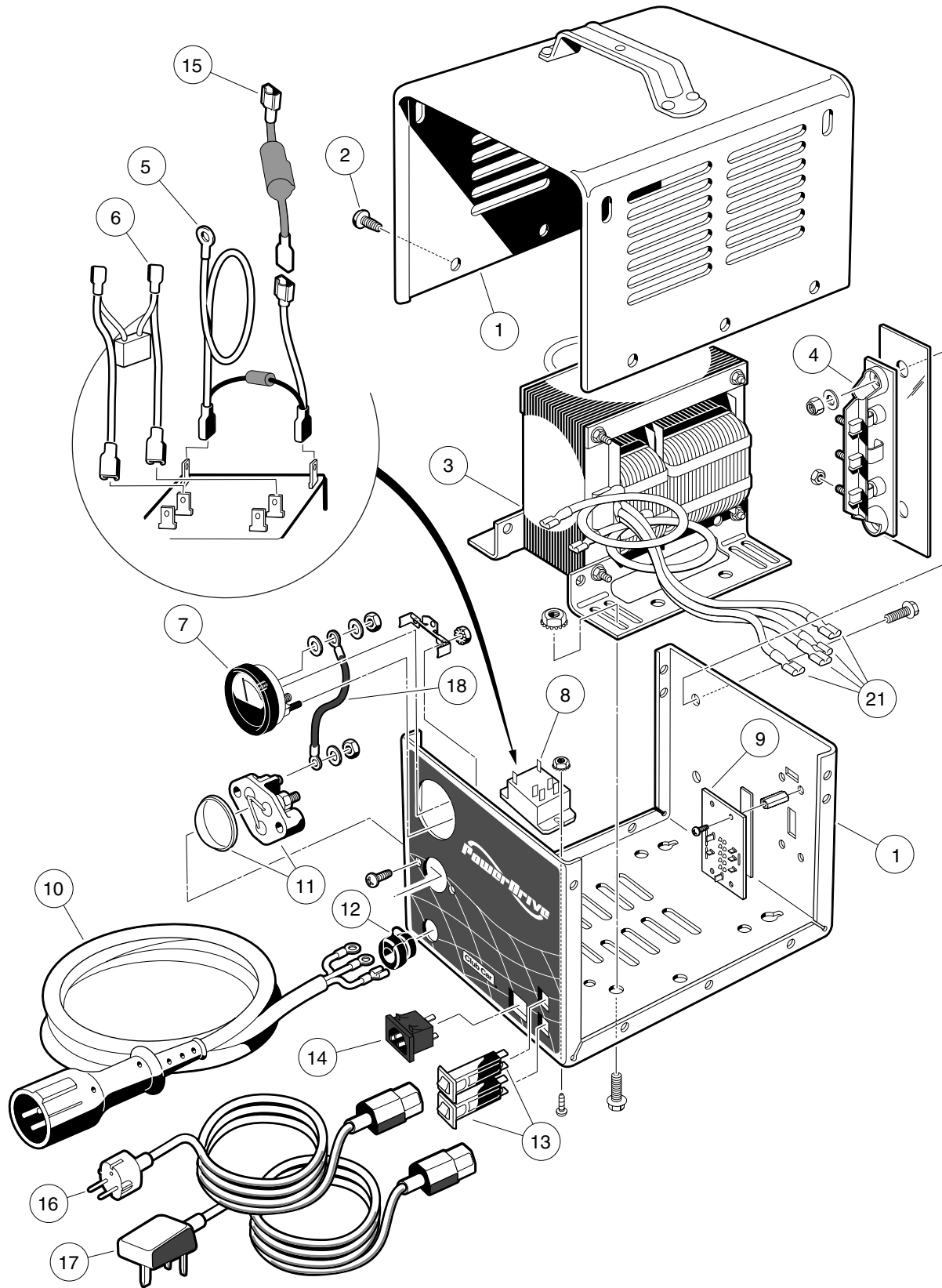


# POWERDRIVE CHARGER, EXPORT – TURF/CARRYALL 1 AND 2

ITEM	PART NO.	DESCRIPTION	QTY
		1 2 3 4	
	101831503	Charger, Battery, PowerDrive, Export with 4-Position Switch 100 - 200 - 220 - 240 V AC, 48-V DC 50/60-Hz (model number 18780-11) (includes items 1 - 16) 103-inch DC cord with male 3-pin plug, 12-AWG 74-inch AC cord with no plug .....	1
	101831504	Charger, Battery, PowerDrive Export with 4-Position Switch 100 - 200 - 220 - 240 V AC, 48-V DC 50/60-Hz (model number 18780-18) (includes items 1 - 16) 144-inch DC cord with male 3-pin plug, 12-AWG 108-inch AC cord with no plug .....	1
1	N/A	Assembly, Case .....	1
2	7577	Screw, Pan-Head, Self-Tapping, #10-16 x 1/2 .....	10
3	101838201	Assembly, Transformer .....	1
4	1015914	Assembly, Heatsink, with Diodes (includes mounting hardware) .....	1
5	101914401	Assembly, Voltage Suppressor .....	1
6	101838501	Kit, Wire Assembly .....	1
7	101828501	Ammeter (includes hardware) .....	1
8	101838301	Relay, Power, 48-V DC (includes mounting hardware) .....	1
9	101838701	Bracket, Power Relay Mounting .....	1
10	101838601	Switch, 4-Position Slide .....	1
11	101828901	Cordset, DC, 113-Inch Long with Male 3-Pin Plug, 12-AWG .....	1
11	101828902	Cordset, DC, 154-Inch Long with Male 3-Pin Plug, 12-AWG .....	1
11	101828903	Cordset, DC, 250-Inch Long with Male 3-Pin Plug, 12-AWG .....	1
12	1012101	Assembly, Fuse (includes hardware) .....	1
13	1012098	Bushing, Strain Relief, DC Cord, 12-AWG .....	1
14	101838401	Breaker, Circuit, 10-Amp .....	2
15	101831701	Cordset, AC, 80-Inch Long with Leads (no plug) .....	1
15	101831702	Cordset, AC, 116-Inch Long with Leads (no plug) .....	1
16	1015917	Bushing, Strain Relief, AC Cord .....	1

15

E

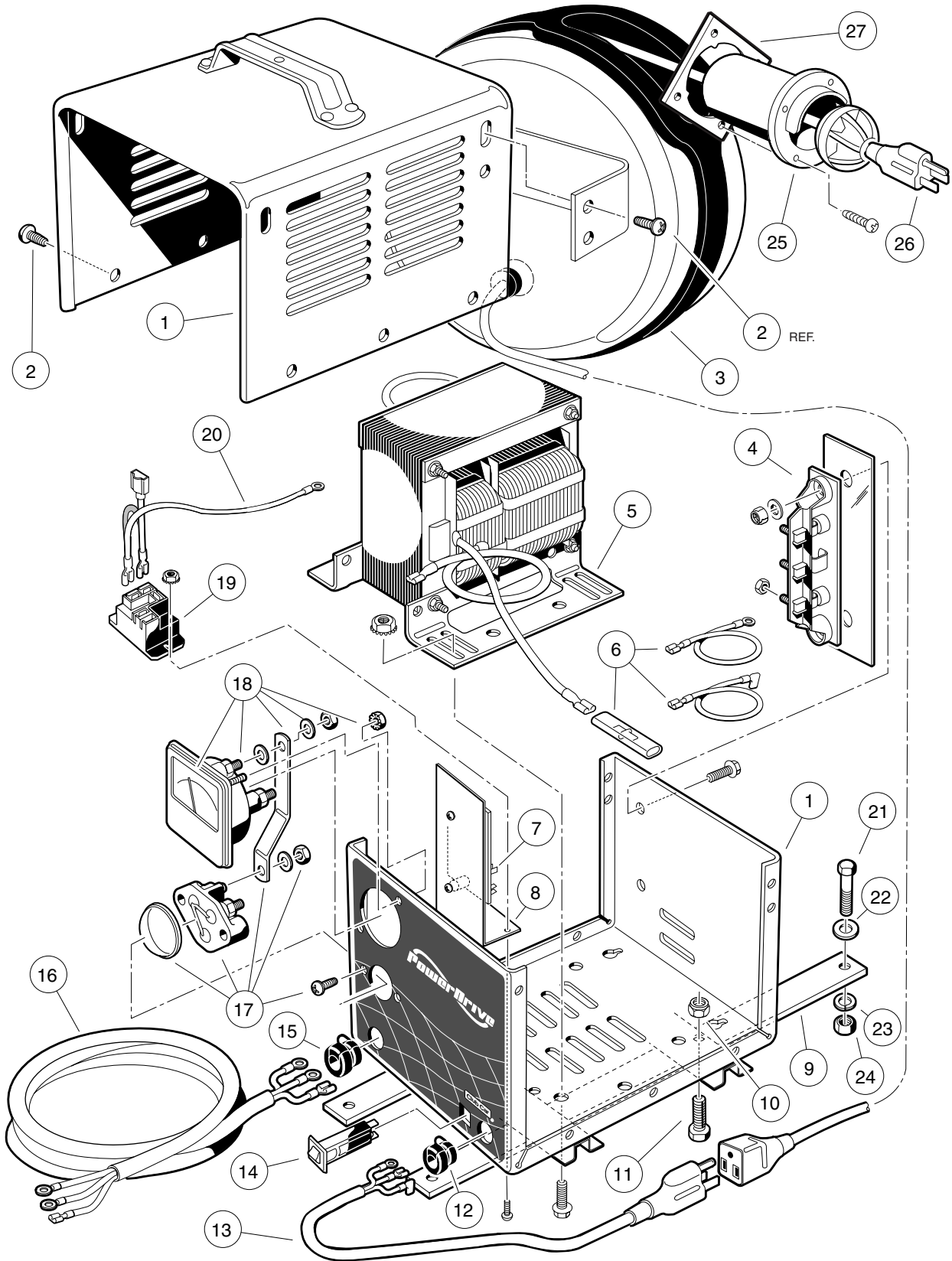


# POWERDRIVE CHARGER, EUROPEAN – TURF/CARRYALL 1 AND 2

ITEM	PART NO.	DESCRIPTION	QTY
		1 2 3 4	
	101956201	Charger, Battery, PowerDrive, European with 4-Position Switch 100 - 200 - 220 - 240 V AC, 48-V DC 50/60-Hz (model number 20300) (includes items 1 - 15) 103-Inch (261 cm) DC Cord with Male 3-Pin Plug, 12-AWG .....	1
	101956202	Charger, Battery, PowerDrive European with 4-Position Switch 100 - 200 - 220 - 240 V AC, 48-V DC 50/60-Hz (model number 20310) (includes items 1 - 15) 144-Inch (366 cm) DC Cord with Male 3-Pin Plug, 12-AWG .....	1
1	N/A	Assembly, Case .....	1
2	7577	Screw, Pan-Head, Self-Tapping, #10-16 x 1/2 .....	10
3	****	Assembly, Transformer .....	1
4	1015914	Assembly, Heatsink, with Diodes (includes mounting hardware) .....	1
5	****	Assembly, AC Voltage Suppressor .....	1
6	****	Kit, Wire Assembly .....	1
7	101976601	Ammeter (includes hardware) .....	1
8	101987501	Relay, Power, 48-V DC (includes mounting hardware) .....	1
9	101838601	Switch, 4-Position Slide .....	1
10	101828901	Cordset, DC, 103-Inch (261 cm) Long with Male 3-Pin Plug, 12-AWG .....	1
10	101828902	Cordset, DC, 144-Inch (366 cm) Long with Male 3-Pin Plug, 12-AWG .....	1
10	101828903	Cordset, DC, 250-Inch (635 cm) Long with Male 3-Pin Plug, 12-AWG .....	1
11	1012101	Assembly, Fuse (includes hardware) .....	1
12	1012098	Bushing, Strain Relief, DC Cord, 12-AWG .....	1
13	101838401	Breaker, Circuit, 10-Amp .....	2
14	101973501	Receptacle, AC Cord .....	1
15	****	Assembly, Current Limiter .....	1
16	101958301	Cordset, AC, Continental Europe, 96-Inch (244 cm) Long (with male 2-pin plug) .....	1
17	101958201	Cordset, AC, U.K., 96-Inch (244 cm) Long (with male 3-pin plug) .....	1
18	N/A	Wire, Jumper .....	1
	****	Special order item available upon request	

15

E

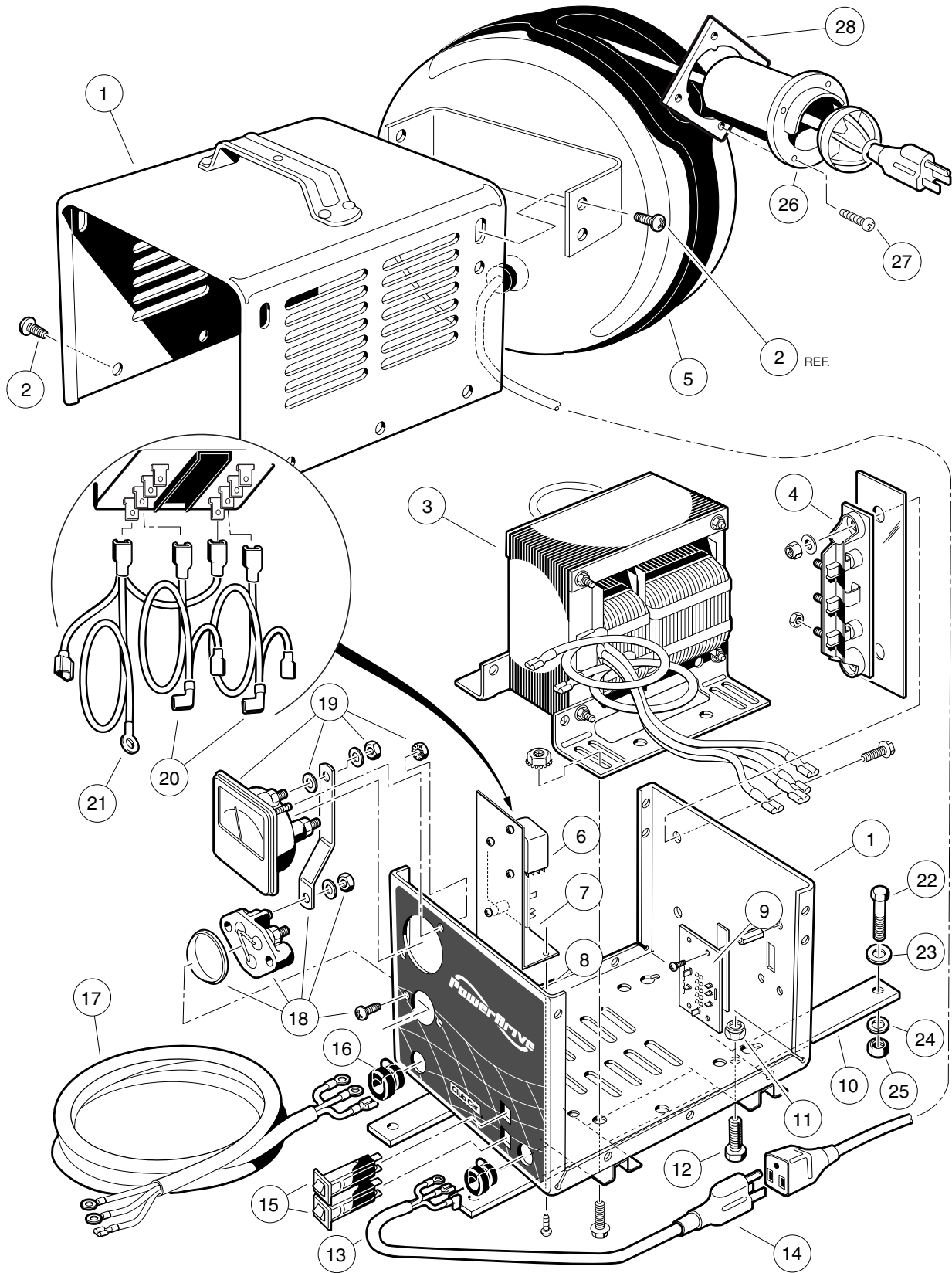


# ONBOARD POWERDRIVE BATTERY CHARGER, DOMESTIC – CARRYALL 6

ITEM	PART NO.	DESCRIPTION	QTY
		1 2 3 4	
	101814301	Assembly, PowerDrive Battery Charger with Reel, Onboard 120-V AC, 48-V DC, 60-Hz (includes items 1 - 20) .....	1
	101802301	Assembly, PowerDrive Battery Charger, Onboard 120-V AC, 48-V DC, 60-Hz (includes items 1 - 2 and 4 - 20) .....	1
1	****	Assembly, Case (includes fasteners) .....	1
2	7577	Screw, Pan-Head, Self-Tapping, #10-16 x 1/2 .....	12
3	1017187	Assembly, Retractable Cord Reel .....	1
4	1015914	Assembly, Heatsink, with Diodes (includes hardware) .....	1
5	101819701	Assembly, Transformer .....	1
6	101841701	Kit, Wire Assembly .....	1
7	101841901	Board, Control .....	1
8	101838701	Bracket, Relay and Reset Board Mounting .....	1
9	1011707	Bracket, Mounting .....	2
10	8233	Nut, Lock, 1/4-20 .....	4
11	7847	Screw, Hex-Head Cap, 1/4-20 x 3/4 .....	4
12	1015917	Bushing, Strain Relief, AC Cord .....	1
13	101829001	Cordset, AC, 24 Inches Long, with Grounded Plug .....	1
14	CCX8506	Breaker, Circuit, 15-Amp, 120-V AC .....	1
15	1012098	Bushing, Strain Relief, DC Cord, 12-AWG .....	1
16	101829101	Cordset, DC, 90 Inches Long, with Leads, 12-AWG .....	1
17	1012101	Assembly, Fuse (includes hardware) .....	1
18	101828501	Ammeter (includes hardware) .....	1
19	101828601	Relay, Power, 48-V DC .....	1
20	101914401	Assembly, Voltage Suppressor .....	1
21	7479	Screw, Hex-Head Cap, 1/4-20 x 1-1/4 .....	4
22	1014306	Washer, Flat, 1/4 .....	4
23	451	Washer, Lock, 1/4 .....	4
24	1028	Nut, Hex, 1/4-20 .....	4
25	1016673	Housing, Cord .....	1
26	8796	Screw, Phillips Head, #7 - 19 x 3/4 .....	4
27	101801001	Plate, Receptacle Backing .....	1
	1017189	Shrink, Heat (1-1/2 inches x 4 feet) (not shown)* .....	A/R
		*Heat Shrink is available in 3-inch lengths, nonstandard.	
	****	Special order item available upon request.	

15

E



# ONBOARD POWERDRIVE BATTERY CHARGER, EXPORT – CARRYALL 6

ITEM	PART NO.	DESCRIPTION	QTY
		1 2 3 4	
	101814302	Assembly, PowerDrive Battery Charger with Reel, Onboard with 4-Position Switch, 100 - 200 - 220 - 240 V AC, 48-V DC, 50/60-Hz (includes items 1 - 21) .....	1
	101831601	Assembly, PowerDrive Battery Charger, Onboard with 4-Position Switch, 100 - 200 - 220 - 240 V AC, 48-V DC, 50/60-Hz (includes items 1 - 4 and 6 - 21) .....	1
1	****	Assembly, Case (includes fasteners) .....	1
2	7577	Screw, Pan-Head, Self-Tapping, #10-16 x 1/2 .....	12
3	101838201	Assembly, Transformer .....	1
4	1015914	Assembly, Heatsink, with Diodes (includes mounting hardware) .....	1
5	1017187	Assembly, Retractable Cord Reel .....	1
6	101838301	Relay, Power (includes mounting hardware) .....	1
7	101841901	Board, Control .....	1
8	101838701	Bracket, Mounting, Relay and Reset Board .....	1
9	101838601	Switch, 4-Position Slide .....	1
10	1011707	Bracket, Mounting .....	2
11	8233	Nut, Lock, 1/4-20 .....	4
12	7847	Screw, Hex-Head Cap, 1/4-20 x 3/4 .....	4
13	1015917	Bushing, Strain Relief, AC Cord .....	1
14	101829001	Cordset, AC, 3 x 1.5 mm x 24 Inches Long, with Grounded Plug .....	1
15	101838401	Breaker, Circuit, 10-AMP .....	2
16	1012098	Bushing, Strain Relief, DC Cord, 12-AWG .....	1
17	101829101	Cordset, DC, 90.5 Inches Long, with Leads, 12-AWG .....	1
18	1012101	Assembly, Fuse (includes hardware) .....	1
19	101828501	Ammeter (includes hardware) .....	1
20	101841801	Kit, Wire Assembly .....	1
21	101914401	Assembly, Voltage Suppressor .....	1
22	7479	Screw, Hex-Head Cap, 1/4-20 x 1-1/4 .....	4
23	1014306	Washer, Flat, 1/4 .....	4
24	451	Washer, Lock, 1/4 .....	4
25	1028	Nut, Hex, 1/4-20 .....	4
26	1016673	Housing, Cord .....	1
27	8796	Screw, Phillips Head, #7-19 x 3/4 .....	4
28	101801001	Plate, Receptacle Backing .....	1
	1017189	Shrink, Heat (1-1/2 inches x 4 feet) (not shown)* .....	A/R
		*Heat shrink is available in 3-inch lengths, nonstandard.	
	****	Special order item available upon request.	

15

E

**15**

**E**



# MAINTENANCE AND SERVICE TOOLS

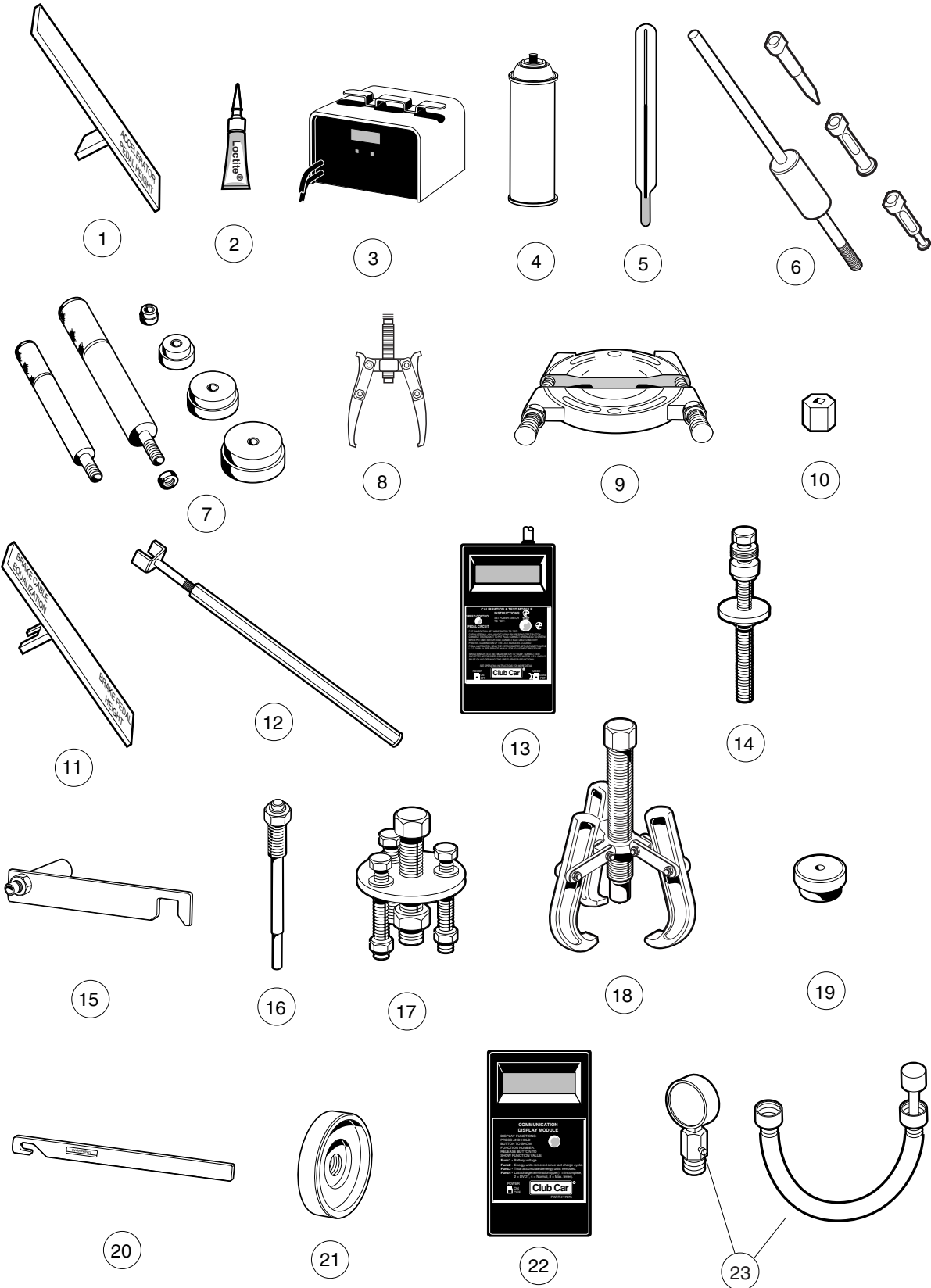
---

**16**

**G**

**E**

**16  
G  
E**



# MAINTENANCE AND SERVICE TOOLS

ITEM	PART NO.	DESCRIPTION	QTY GAS	QTY ELEC
		<p style="margin: 0;">1 2 3 4</p> <p style="margin: 0;">The following tool list includes all tools available from Club Car for maintenance and service procedures for gasoline and/or electric vehicles, both past and present models. Be sure to carefully examine the tool list for applicability to your vehicle before ordering.</p>		
1	101871001	Accelerator Pedal Adjustment Tool .....	1	1
2	101813202	Adhesive, Guide Ring, 3-Gram Tube .....	1	1
3	101831901	Battery Discharge Machine, 36/48 Volt .....		1
4	1014305	Battery Terminal Protector Spray .....	1	1
5	1011767	Battery Thermometer .....		1
6	1016417	Bearing and Oil Seal Remover Assembly .....	1	1
7	1016416	Bearing Driver Set .....	1	1
8	1012811	Bearing Puller .....	1	1
9	1012812	Bearing Puller Wedge Attachment .....	1	1
10	1013582	Brake Adjustment Tool (used only on vehicles with manually adjusted mechanical brakes) .....	1	1
	102249901	Brake Pedal Adjustment Tool Kit (used for the Carryall electric industrial truck only) (includes items 11 and 12) .....		1
11	****	Brake Pedal Adjustment Tool .....		1
12	****	Brake Pedal Tension Tool .....		1
13	101887101	Calibration Test Module .....		1
14	101808401	Cam Installation Tool .....	1	
	1014510	Clutch Tool Kit (includes items 15 - 21) .....	1	
15	1014498	Clutch Alignment Tool (for pre-unitized transaxle vehicles built prior to 1997 model year) .....	1	
16	1014496	Drive Clutch Puller .....	1	
17	1014497	Drive Clutch Hub Puller .....	1	
18	1014508	Driven Clutch Cam Puller .....	1	
19	1014507	Driven Clutch Puller Plug .....	1	
20	1015524	Drive Clutch Holder Tool Assembly .....	1	
21	101809101	Press Weldment .....	1	
22	101831801	Communication Display Module .....		1
23	101641002	Compression Gauge and Adapter .....	1	
		Please refer to the maintenance and service manual for proper tool application.		
	****	Special order item available upon request		

16

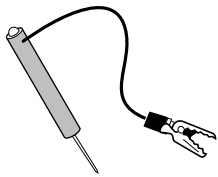
G

E

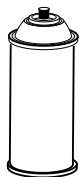
16

G

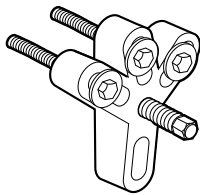
E



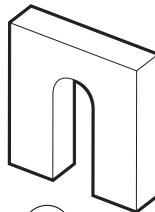
24



25



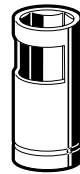
26



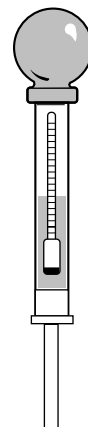
27



28



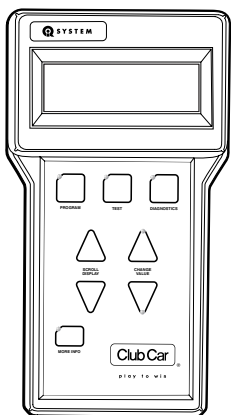
29



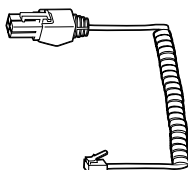
30



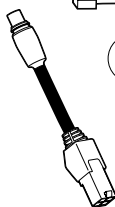
31



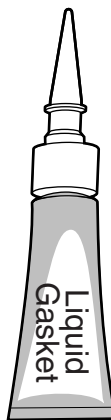
32



33



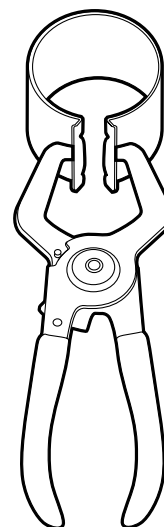
34



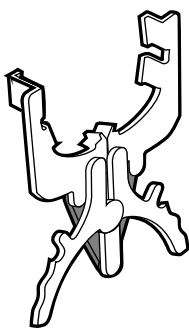
35



36



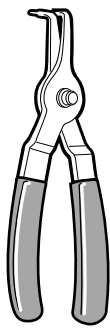
37



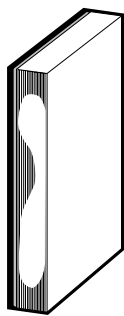
38



39



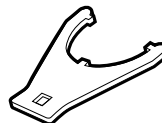
40



41



42



43



44



45

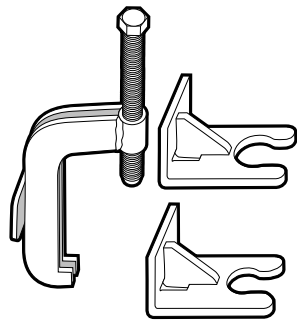
# MAINTENANCE AND SERVICE TOOLS, CONTINUED

ITEM	PART NO.	DESCRIPTION	QTY GAS	QTY ELEC
		1 2 3 4		
24	1011273	Continuity Tester .....	1	1
25	1012151	Dry Moly Lubricant .....	1	1
26	1016627	Flywheel Puller Kit .....	1	
27	1016418	Gear Yoke .....	1	1
28	101933101	Governor Shaft Installation Tool .....	1	
29	102169401	Hydraulic Brake Adjuster (for vehicles equipped with hydraulic brakes) .....	1	
30	1011478	Hydrometer .....	1	1
31	1013593	Internal Retaining Ring Pliers .....	1	1
32	102248801	IQ Display Module (IQDM) Kit (for IQ System vehicles only) .....		1
		(includes items 33 and 34)		
33	102241501	Cable, IQDM .....		1
34	102251501	Adapter, Cable .....		1
35	101928701	Liquid Gasket (transaxle case) .....	1	1
36	102243402	Moly-Teflon Lubricant (4-oz. (113-gram) tube) .....		1
37	1016414	Piston Ring Compressor Kit (FE290, FE350 and FE400 engines) .....	1	
38	1016415	Piston Ring Pliers .....	1	
39	1012549	Retaining Ring Pliers, 45° External .....	1	1
40	1012560	Retaining Ring Pliers, 90° Internal .....	1	1
41	101823101	Safety First Card (50 per pack) .....	1	1
42	1012809	Seal Puller .....	1	1
43	102330901	Spanner Wrench (for coil over shock front suspension vehicles only) .....	1	
44	1014264	Steering Column Bearing Press Tool .....	1	1
45	1014259	Steering Column Retaining Ring Tool .....	1	1
		Please refer to the maintenance and service manual for proper tool application.		

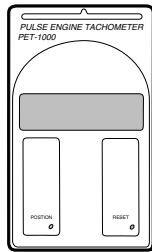
16

G

E



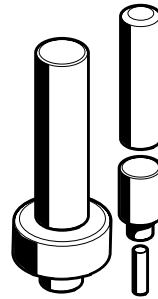
46



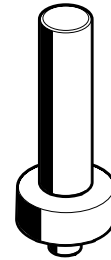
47



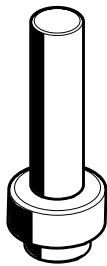
48



49



50



51



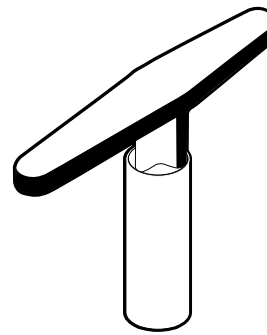
52



53



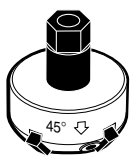
54



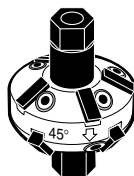
55



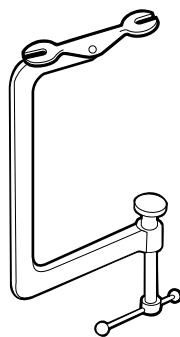
56



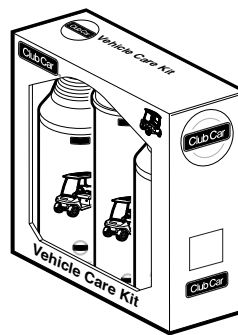
57



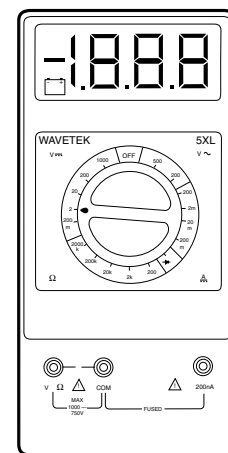
58



59



60



61

# MAINTENANCE AND SERVICE TOOLS, CONTINUED

ITEM	PART NO.	DESCRIPTION	QTY GAS	QTY ELEC
		1 2 3 4		
46	102061201	Steering Wheel Puller Tool .....	1	1
47	1016112	Tachometer .....	1	
48	101997201	Paint, Touch-Up – Beige .....	1	1
48	101997202	Paint, Touch-Up – White .....	1	1
48	101997203	Paint, Touch-Up – Red .....	1	1
48	101997204	Paint, Touch-Up – Gray .....	1	1
48	101997205	Paint, Touch-Up – Dark Gray .....	1	1
48	101997206	Paint, Touch-Up – Royal Blue (Pacific Blue) .....	1	1
48	101997207	Paint, Touch-Up – Black .....	1	1
48	101997209	Paint, Touch-Up – Dark Green .....	1	1
48	101997211	Paint, Touch-Up – Classic Blue (Navy) .....	1	1
48	101997212	Paint, Touch-Up – Burgundy .....	1	1
49	1014115	Transmission Tool Kit .....	1	
50	1014161	Transaxle Pinion Seal Tool .....	1	
51	1014162	Transaxle Axle Seal Tool .....	1	
52	1016413	Valve Clearance Adjuster Screw Holder (for FE290 engines only) .....	1	
53	101641201	Valve Guide Reamer .....	1	
54	101641202	Arbor .....	1	
55	1016551	Valve Seat Cutter T-Wrench .....	1	
56	1016552	Valve Seat Cutter Guide .....	1	
57	1016553	Valve Seat Cutter, 45° (32 mm diameter) (for FE290 engines only) .....	1	
58	1016554	Valve Seat Cutter, 45°/30° (35 mm diameter) .....	1	
59	101641101	Valve Spring Compressor .....	1	
60	AM10021	Vehicle Care Kit .....	1	1
61	1011480	Volt Ohm Meter .....	1	1
62	101611003	Tune-Up Kit, All OHV (includes air filter, spark plug, oil filter, fuel filters) (not shown) .....	1	
		Please refer to the maintenance and service manual for proper tool application.		

16

G

E

**16**

**G**

**E**



# INDEX

## Part Number and Page

AM10021	16-7	7479	15-9, 15-11	1010545	1-5, 1-7
AM10080	11-5	7532	1-13, 1-17	1010546	1-3
AM10081	11-5	7539	5-7, 5-11, 5-15	1010805	4-7, 4-9
AM10419	10-5	7540	5-5, 5-7, 5-11, 5-15	1010829	4-3, 4-5, 4-9, 4-11
AM10724	7-17	7555	5-5, 5-7, 5-11, 5-15	1010850	4-3, 4-5, 4-11
CCX8506	15-3, 15-9	7569	5-19, 5-21	1010877	4-7, 4-9
183	6-15, 6-29, 6-31, 8-13, 8-15, 8-17, 10-3, 12-49	7577	15-3, 15-5, 15-7, 15-9, 15-11	1010878	1-15, 1-23, 4-7, 4-9
304	1-27, 1-29, 6-31, 12-45	7591	6-31, 6-35, 12-45	101090801	12-15, 12-35, 12-53
320	5-11, 5-15, 6-3	7602	5-5, 5-7, 5-11, 5-15	101090802	12-35, 12-53
332	1-9, 1-11, 1-15, 1-19, 1-23, 1-27, 1-29, 6-3, 6-31, 8-13, 8-15, 8-17, 9-3, 9-5, 12-19, 12-45	7716	4-7, 4-9, 4-13, 4-15	1010909	6-15, 6-31
334	1-15, 4-13, 4-15, 5-3, 5-5	7818	6-11, 6-29	1010921	4-7, 4-9
357	1-27, 5-9, 5-13, 5-17, 5-23	7820	6-31, 12-45	1010927	4-7, 4-9
403	1-13, 1-17, 1-21	7840	5-9, 5-13, 5-17	1010932	4-7, 4-9
451	4-5, 4-11, 9-3, 9-5, 12-3, 13-3, 15-9, 15-11	7847	1-15, 9-3, 9-5, 15-9, 15-11	1010933	4-7, 4-9
705	1-13, 1-17, 1-23, 1-27, 6-39	7893	6-3, 6-11, 6-15, 6-29, 6-31, 12-45	1010934	1-7, 1-19, 1-25, 1-27, 6-41, 13-3
706	1-27, 5-9, 5-13, 5-17	7910	5-9, 5-13, 5-17	1010954	6-3, 6-11, 6-29, 11-3
808	5-23, 6-3	7973	1-5, 1-7, 6-3, 8-17	1010984	2-3, 5-9, 5-13, 5-17
1016	6-15, 6-29, 6-31, 12-49	8049	12-3	1011014	1-3, 1-7
1017	6-29, 12-5, 12-49	8056	12-5	1011017	1-3, 1-7
1028	4-7, 4-9, 12-3, 12-5, 15-9, 15-11	8057	6-3, 6-11, 6-29, 12-3, 12-5	1011019	1-5, 1-7
1032	1-19, 4-7, 4-9	8058	6-3, 6-11, 6-29, 12-3, 12-5	1011084	4-13
1035	1-15, 4-3, 4-5, 4-9, 4-11, 5-5, 5-7, 5-11, 5-15	8067	5-9, 5-13, 5-17	1011114	4-5, 4-11
1218	5-13, 12-17, 12-33, 12-49	8106	6-7, 6-17	1011137	4-11
1231	1-19	8168	8-17	1011229	6-13, 6-31, 12-19, 12-45
1241	1-3, 1-7, 1-19, 1-27, 4-7, 4-9, 4-13, 4-15, 5-13, 6-11, 6-29, 6-33, 6-39, 6-41, 12-17, 12-33, 12-47, 12-49	8233	1-15, 1-19, 1-21, 1-23, 1-27, 1-29, 4-13, 4-15, 5-23, 6-3, 6-31, 12-3, 12-19, 12-45, 15-9, 15-11	1011273	16-5
1242	1-19, 1-27, 4-7, 4-9, 5-23, 6-11, 6-29, 6-39, 12-17, 12-33, 12-49	8248	1-9, 6-3, 8-3	1011280	6-33, 12-47
1308	5-7, 5-11, 5-15	8251	1-11, 6-3	1011290	13-3
1606	8-13, 8-15	8449	12-5	1011291	11-7
1620	1-5, 1-7	8450	6-29, 10-3, 12-3	1011303	4-5, 4-11
1624	4-13, 4-15, 5-5, 5-7, 5-9	8455	6-3	1011304	5-9, 5-13, 5-17
1631	8-15, 8-17	8626	4-7, 4-9	1011382	1-5, 1-7
2402	5-7, 5-11, 5-15	8639	6-31, 12-45	1011393	5-9, 5-13, 5-17
4029	6-31, 12-45	8717	6-3, 6-11, 6-29	1011394	1-3, 1-7
4034	6-15, 6-33, 12-47	8745	5-9, 5-13, 5-17	1011402	4-7, 4-9
7048	5-9, 5-13, 5-17	8754	1-13, 1-17, 1-23, 4-13, 4-15, 5-3, 5-5, 5-7, 5-9, 5-11, 5-13, 5-15, 5-17, 5-19, 5-21, 6-3, 6-39	1011411	13-3
7049	1-19	8755	1-13, 1-17, 1-23, 5-9, 5-13, 5-17, 5-19, 5-21	1011415	5-19, 5-21
7173	5-23, 6-33, 6-39, 6-41, 12-17, 12-33, 12-47, 12-49	8796	1-11, 15-9, 15-11	1011418	4-7, 4-9
7174	1-19, 1-27, 4-11, 5-3, 5-23, 6-39, 8-11, 9-3, 9-5, 12-17, 12-33, 12-49, 13-3	8861	5-11, 5-15, 5-23	1011439	6-33, 12-47
7251	1-3, 1-7	8935	1-7	101146302	4-5, 4-11
7310	2-3	8990	5-5, 6-15, 12-5, 12-13, 12-19, 12-51	1011464	4-5, 4-11
7311	5-23	1010005	5-9, 5-13, 5-17	1011465	4-5, 4-11
7330	11-7, 14-3	1010124	5-7, 5-11, 5-15	1011466	4-3, 4-5, 4-11
7335	11-5, 14-3	1010138	5-7, 5-11, 5-15	1011467	4-5, 4-11
7336	14-3	1010145	5-19, 5-21	1011478	16-5
7473	1-3, 1-7, 1-13, 1-17, 1-19, 1-21, 1-23, 1-25, 1-29, 4-7, 4-9, 4-13, 4-15, 5-13, 6-11, 6-29, 6-33, 6-39, 6-41, 12-5, 12-47	1010150	5-9, 5-13, 5-17	1011480	16-7
		1010177	5-13, 5-17	1011553	1-27, 3-5
		1010200	5-7	1011557	6-33, 12-47
		1010219	5-7, 5-11, 5-15	1011558	6-35
		1010347	5-9	1011578	1-7, 12-15, 12-35, 12-53
		1010348	5-9	1011582	6-35, 12-53
		1010434	1-3, 1-7, 1-9, 1-11, 1-19	1011622	6-35
		1010435	1-3, 1-7, 1-13, 1-17, 1-21, 1-23	1011694	4-13, 4-15
		1010543	1-9, 1-11	1011697	1-29, 5-3, 7-27, 8-9, 8-11
				1011700	4-13
				1011707	15-9, 15-11
				1011734	4-13
				1011767	16-3

# INDEX

1011779	4-3, 4-5, 4-7, 4-9, 4-11	101301102	6-37	1013871	4-13, 4-15
1011825	6-31, 12-45	1013035	5-5	1013872	1-23
101187702	4-7, 4-9, 4-13, 4-15	1013042	5-5	1013876	4-7, 4-9
1011887	5-9, 5-13, 5-17	1013044	5-5	1013886	12-5
1011892	5-9, 5-13, 5-17	1013051	5-5	1013887	12-5
1011930	5-5, 5-7, 5-11, 5-15	1013052	5-5	1013924	4-3, 4-5, 4-11, 7-27
1011988	8-3	1013061	12-5, 12-15, 12-35	1013983	1-3
1011990	1-19, 1-27	1013135	5-9, 5-13, 5-17	1013985	1-3
1012030	5-9, 5-17	1013164	5-19	1013998	12-5
1012047	1-3	1013198	6-3, 12-3	1014000	12-5
1012098	15-3, 15-5, 15-7, 15-9, 15-11	1013207	4-3, 4-5, 5-19, 5-21	1014003	12-5
1012101	15-3, 15-5, 15-7, 15-9, 15-11	1013280	1-21	1014007	4-13, 4-15
1012151	16-5	1013309	1-9, 1-11	1014010	12-5
1012164	7-27	1013311	1-9, 1-11	1014017	12-5
1012285	1-21, 1-27, 1-29, 6-3, 8-3, 8-11, 12-15, 12-17, 12-33, 12-49, 12-51	1013312	1-9, 1-11	1014019	12-5
1012295	6-11, 6-29	1013317	1-19	1014049	10-3
1012303	1-13, 1-17, 1-23, 5-9, 5-13, 5-17, 5-19, 5-21	1013335	1-9	1014050	10-3
1012304	5-19, 5-21	1013343	1-5, 1-7	1014051	10-3
1012328	6-41	1013344	1-5, 1-7	1014052	10-3
1012333	6-3	1013357	1-23, 6-31, 12-45, 12-49	1014055	10-3
1012353	12-5	1013413	1-23	1014056	10-3
1012382	6-5, 6-7, 6-9, 6-17, 6-19, 6-23, 6-27	1013422	1-5, 1-7	1014057	10-3
1012431	6-3, 6-11, 6-29	1013461	6-15, 6-31, 12-5, 12-45	1014058	10-3
1012438	8-15, 8-17, 12-49	1013483	1-27	1014059	10-3
1012467	5-5	1013494	1-5, 1-7	1014062	10-3
1012505	6-13, 6-33, 12-13, 12-47	1013531	4-7, 4-9	1014065	6-3, 6-11, 6-29
1012528	9-3, 9-5, 12-17, 12-33, 12-49	1013547	12-15	1014070	10-5
1012549	16-5	1013582	16-3	1014072	10-5
1012560	16-5	1013587	6-3	1014078	10-5
1012565	5-3	1013589	6-3, 6-11	1014080	10-5
1012566	5-3	1013590	6-3	1014089	6-3
1012571	7-27	1013591	6-3	1014109	12-5
1012594	6-3	1013593	16-5	1014115	16-7
1012604	5-3	1013609	6-11, 6-29	1014116	8-3
1012605	5-3	1013677	3-5, 3-11	1014119	6-5, 6-7, 6-9, 6-17, 6-19, 6-23, 6-27
1012649	8-3	1013683	12-15	1014125	5-3
1012711	11-3	1013687	8-3	1014126	5-3
1012714	11-5	1013692	8-3	1014145	6-3, 6-11, 6-29
1012740	11-5	1013700	8-11	1014153	4-3, 4-5, 4-11
1012741	11-5	1013734	9-3, 9-5	1014161	16-7
1012747	11-5	1013746	8-3, 8-9	1014162	16-7
1012748	11-5	1013759	11-3	1014189	12-5
1012752	11-3	1013768	11-7	1014193	11-7
1012809	16-5	1013769	11-7	1014201	13-3
1012811	16-3	1013770	11-7	1014207	11-7
1012812	16-3	1013771	11-7	1014213	5-3
1012830	6-39, 9-3, 9-5	1013772	11-7	1014214	5-3
1012903	12-5	1013773	11-7	1014216	5-3
1012981	7-5, 7-17	1013774	11-7	1014217	5-3
1012986	6-13, 6-33	1013787	11-7	1014235	5-7, 5-11
1012987	6-3, 12-3	1013790	11-7	1014236	5-19
1013001	6-37	1013791	11-7	1014253	12-5
1013003	6-37	1013794	11-7, 14-3	1014259	16-5
1013005	6-37	1013857	6-15, 6-33, 12-47	1014264	16-5
		1013860	12-5	1014276	5-9, 5-13, 5-17
		1013869	4-7, 4-9	1014287	10-3
		1013870	4-7, 4-9		

# INDEX

1014288	5-3, 6-41, 12-17	1015277	1-15	101565202	1-9
1014289	6-37	1015313	1-19	101565205	1-9
1014304	12-15, 12-35, 12-53	1015330	9-3	101565206	1-9
1014305	16-3	1015332	6-5, 6-7, 6-9, 6-17, 6-19, 6-23, 6-27, 7-3, 7-15	1015661	4-15
1014306	1-27, 1-29, 15-9, 15-11	1015345	6-11, 6-29	101567202	2-3
1014321	1-9, 1-11, 1-19	1015356	1-13, 1-17, 1-23	1015720	6-13, 6-31, 6-35
1014374	6-41	1015363	1-19	1015727	1-23
1014375	6-41	1015365	1-19	1015737	6-5, 6-7, 6-9, 6-11, 6-17, 6-19, 6-23, 6-27, 6-29
1014387	1-9, 1-11, 1-19	1015366	1-19	1015741	6-11, 6-29, 12-49
1014413	8-11	1015367	1-19	1015752	6-11, 6-29, 6-35, 8-13, 8-15, 8-17, 12-7, 12-53
1014414	12-5	1015368	1-19	1015760	5-23
1014415	1-19	1015371	6-11	1015769	6-5, 6-7, 6-9, 6-17, 6-19, 6-23, 6-27
1014453	10-3	1015372	6-11, 6-29	1015777	6-11
1014454	10-5	1015373	6-11, 6-29	1015814	9-3, 9-5
1014471	1-13, 1-17, 1-21, 1-23	1015390	1-19	1015845	8-11
1014496	16-3	1015391	1-13, 1-17	101584502	8-11
1014497	16-3	1015399	1-13, 1-17, 1-19, 1-25	1015878	6-11, 6-29
1014498	16-3	1015400	1-13, 1-17, 1-19	1015914	15-3, 15-5, 15-7, 15-9, 15-11
1014507	16-3	1015405	1-3, 6-11, 6-29	1015917	15-3, 15-5, 15-9, 15-11
1014508	16-3	1015408	8-11	1015920	6-5, 6-39
1014510	16-3	1015409	6-3	1015932	6-39
1014513	1-19	1015412	1-19	1015969	7-3, 7-15
1014514	1-19	1015413	1-19	1016004	8-3
1014523	8-3	1015414	1-19	1016060	1-15
1014524	8-3	1015424	1-19	1016074	6-39
1014537	1-19	1015426	8-13, 8-15, 8-17	1016077	1-25
1014540	12-15, 12-35	1015427	1-13	1016078	1-15
101454602	5-19	101542901	1-17	101609401	3-3, 3-7, 3-9
101454902	5-19	1015445	1-27	101610901	3-5, 12-5
1014555	5-19, 5-21	1015453	5-23	101611003	16-7
1014573	5-19	1015457	5-23	1016112	16-7
1014645	1-5, 1-7	101547601	3-5, 3-11	1016154	5-3
1014675	5-19	1015507	1-13, 1-17, 1-23	101615502	5-3
1014727	6-3	1015524	16-3	1016156	5-3
1014771	2-3	1015530	1-27, 1-29	1016175	12-5
1014807	6-3, 6-11, 6-29, 12-5	101553901	1-19, 3-3, 3-7, 3-11	1016181	5-3
1014808	6-11, 12-3	1015545	5-3	1016183	5-3
1014856	12-9	1015583	1-13, 1-17, 1-23, 5-9, 5-13, 5-17, 5-19, 5-21	1016201	1-15, 6-3
1014871	12-3	1015597	5-5, 5-7, 5-9, 5-11, 5-13, 5-15, 5-17	1016202	8-11
1014901	5-19	1015606	1-19	1016203	10-3, 10-5
1014902	5-19, 5-21	1015607	1-19	1016214	5-3
1014928	8-3	1015608	1-7	101621601	3-3, 3-7, 3-9
1014947	12-17, 12-33, 12-49	1015613	5-23	1016219	5-3
1014948	6-29, 12-17, 12-33, 12-49	1015614	5-23	1016263	5-3
1014999	12-5	101562602	1-9	1016269	5-3
1015032	1-5	101562604	1-9	1016289	10-3
1015072	12-15, 12-35, 12-53	101562605	1-9	1016337	11-5
1015075	6-39, 9-3, 9-5	101562702	1-9, 1-11	1016338	11-5
1015137	8-3, 8-9	101562704	1-9, 1-11	1016341	11-3
1015139	8-3, 8-17	101562710	1-9, 1-11	1016342	6-3
1015143	8-3	101564502	1-9, 1-11	1016346	5-7, 5-11, 5-15
1015188	8-3	101564503	1-9, 1-11	1016349	5-7, 5-11, 5-15
1015239	1-9	101564505	1-9, 1-11	1016350	5-7, 5-11, 5-15
101524001	6-39	1015649	7-3, 7-15	1016353	5-7, 5-11, 5-15
101524002	6-39				
1015245	1-19				
1015252	1-13, 1-17				

# INDEX

1016356	6-31, 12-45, 12-49	101645903	7-13	1016539	7-3, 7-15
1016363	12-49	1016460	7-13	1016541	7-13, 7-25
1016366	12-49	101646101	7-13	1016542	7-9
1016379	1-29	101646102	7-13	1016544	7-5, 7-9, 7-11, 7-17, 7-21, 7-23
1016380	6-7, 6-9, 6-17, 6-19, 6-23, 6-27	101646103	7-13	1016545	7-9, 12-17, 12-33, 12-49
1016384	5-9, 5-13, 5-17	1016467	7-7, 7-19	1016546	8-11
1016385	5-7, 5-11, 5-15	1016469	7-13	1016547	7-3, 7-13, 7-15, 7-25, 8-9
1016386	5-9, 5-13, 5-17	1016470	7-13, 7-25	1016548	7-5
1016387	5-9, 5-13, 5-17	1016471	7-9	1016549	7-9, 7-21
1016389	5-9, 5-13, 5-17	1016472	7-11, 7-23	101655001	7-13
101641002	16-3	1016473	7-7, 7-19	101655002	7-13
101641101	16-7	1016474	7-9, 7-21	101655003	7-13
101641201	16-7	101647501	7-13	101655004	7-13
101641202	16-7	101647502	7-13	101655005	7-13
1016413	16-7	1016479	7-9, 7-21	101655006	7-13
1016414	16-5	1016480	8-9	101655007	7-13
1016415	16-5	101648102	8-9	101655008	7-13
1016416	16-3	101648203	7-7, 7-19	101655009	7-13
1016417	16-3	1016483	7-9, 7-21	1016551	16-7
1016418	16-5	1016484	7-7	1016552	16-7
1016423	6-11, 6-29, 12-49	1016486	8-5, 8-7	1016553	16-7
101642572	8-5	1016489	7-9, 7-21	1016554	16-7
101642575	8-5, 8-7	101649002	8-9	1016557	4-5, 4-11
101642578	8-5, 8-7	1016493	7-5	1016558	7-13
101642580	8-5, 8-7	1016494	7-11, 7-23	1016559	7-13
101642582	8-5, 8-7	1016496	7-11, 7-23	1016560	7-9, 7-21
101642585	8-7	1016497	7-5, 7-17	1016561	7-5, 7-17
1016429	7-7, 7-19	1016499	8-5, 8-7	1016562	7-5, 7-13, 7-17, 7-25
1016430	7-9	1016501	8-5, 8-7	1016563	7-9, 7-21
1016431	7-9	1016502	7-7, 7-19	1016564	7-11, 7-23
1016432	7-7, 7-19, 11-3	1016505	7-5	1016565	7-11
1016435	7-7	1016506	7-11, 7-23	1016566	7-9, 7-21
1016436	7-9, 7-21	1016507	7-3, 7-15	1016567	7-11
1016437	8-5, 8-7	1016509	7-13	1016568	7-13
1016438	8-9	1016510	7-11, 7-23	1016569	7-9, 7-21
1016439	8-9	1016512	7-3	1016570	7-7, 7-19
1016440	8-9	101651402	2-3	1016571	7-13, 7-25
1016441	8-9	101651406	2-3	1016572	8-9
1016442	7-9, 7-21	101651407	2-3	1016573	4-5, 4-11
1016443	7-3	101651409	2-3	1016576	7-7, 7-19
1016444	8-9	1016516	7-13	1016578	7-5, 7-17
1016445	7-5, 7-17	1016517	7-9, 7-21	1016579	7-5, 7-17
1016446	7-11	1016518	7-21	1016580	7-13
1016447	7-9	1016519	7-9, 7-21	1016581	7-7, 7-19
1016448	7-9	1016520	7-11	1016582	8-9
1016449	7-9, 7-21	1016521	7-11, 7-23	1016583	7-9, 7-21
1016450	7-9, 7-21	1016523	7-9	1016584	7-11, 7-23
1016451	7-9	1016524	7-3	1016585	8-5, 8-7
1016452	7-9, 7-21	1016525	7-3	1016586	7-5, 7-17
1016453	7-11	1016526	7-3	1016587	7-5, 7-17
1016454	7-11, 7-23	1016531	7-3, 7-15	1016588	7-5, 7-17
1016455	7-5, 7-17	1016532	7-13	101660404	1-5, 1-7
1016456	7-3, 7-5, 7-11, 7-15, 7-17	1016533	7-13	1016622	5-3
1016457	7-7, 7-19	1016535	7-11, 7-23	1016627	16-5
1016458	7-9, 7-11, 7-21	1016536	7-3	1016630	6-13, 6-33
101645901	7-13	1016537	7-7, 7-19	1016631	12-49
101645902	7-13	1016538	7-11, 7-23	1016663	5-3

# INDEX

1016672	11-7	101693201	3-3, 3-9	101745101	7-25
1016673	1-11, 15-9, 15-11	101693909	1-3, 1-7	101745102	7-25
1016679	1-27, 1-29	101693913	1-3, 1-7	1017453	7-25
101668201	12-35, 12-53	1016942	1-23	1017454	7-21
1016698	12-39, 12-43	1016943	1-25	1017455	7-5, 7-17
101670201	1-3, 1-7	1016944	1-25	1017456	7-7, 7-19
1016711	1-3	1016947	6-3	101745701	7-25
1016717	6-35, 12-53	1016948	1-25	101745702	7-25
1016718	1-21	1016952	1-5, 1-7	1017458	7-19
1016723	1-11	1016954	1-21	1017460	7-19
101672701	6-3	1016955	1-21	1017461	8-5, 8-7
1016729	12-23, 12-25, 12-29, 12-31, 12-39, 12-43	1016967	1-3	1017463	7-17
1016732	12-23, 12-25, 12-29, 12-31, 12-39, 12-43	1016997	6-29	1017466	8-9
101674702	4-13	1017029	4-7, 4-9	1017471	7-25
1016751	1-11	1017062	6-15, 6-31, 12-45	1017472	7-23
101675502	1-11	1017064	6-15, 6-31, 12-45	1017473	7-21
101675504	1-11	1017065	6-15, 6-31, 12-45	1017474	7-15
101675506	1-11	1017077	1-21	1017475	7-15
101677701	1-11	101707801	3-11	1017476	7-15
101677702	1-11	1017079	1-29	1017486	7-15
101677705	1-11	1017080	1-3, 1-7	1017487	7-23
1016801	10-3	1017187	15-9, 15-11	1017490	7-17
1016813	5-23	1017188	10-3, 10-5	1017500	7-15
1016814	5-23	1017189	15-9, 15-11	1017501	7-25
1016845	12-3	1017211	4-9	1017502	7-25
1016849	6-13, 6-31, 6-35, 12-13, 12-45, 12-53	1017221	7-3	1017503	7-25
1016851	6-13, 6-31, 6-35, 12-13, 12-45, 12-53	1017226	5-3	1017504	7-23
1016858	6-7, 6-17	1017231	11-3	1017507	7-7, 7-19
1016859	6-13, 6-31, 6-35, 12-13, 12-45, 12-53	1017232	4-11	1017508	7-23
1016868	1-3, 1-7	1017235	5-19	1017510	7-25
1016875	1-29	1017238	6-29	1017511	7-23
1016876	1-29	1017239	6-29	1017512	7-25
1016877	12-15, 12-18, 12-35	1017243	6-29	1017513	7-23
1016879	6-15, 6-31, 12-45	1017266	5-7, 5-11, 5-15	1017514	7-23
1016880	6-15, 6-31, 12-45	1017273	5-3	101751801	7-23
1016881	1-21	1017327	10-5	101751802	7-23
1016883	6-39	1017328	1-15, 10-3	101751803	7-23
101689101	1-21	101734802	1-3	101753005	12-3
1016901	10-3	101737002	2-3	1017653	6-37
1016904	9-5	1017378	4-13, 4-15	1017686	10-5
1016909	1-21	1017380	4-13, 4-15	1017689	9-3, 9-5
101691401	1-21	101738301	10-3	101769302	2-3
1016918	1-21	101739201	12-19	1017696	4-13, 4-15
1016920	1-21	1017400	4-15	1017705	12-15, 12-35
101692501	1-3	1017424	4-13, 4-15, 12-19	1017721	6-15, 6-31
101692502	1-3	1017434	7-21	101773301	7-25
101692506	1-3	1017435	7-21	101773302	7-25
101692509	1-3	1017442	7-19	101773303	7-25
101692510	1-3	1017443	7-23	101773304	7-25
101692511	1-3	1017444	7-21	101773305	7-25
101692512	1-3	1017445	7-21	101773306	7-25
101692513	1-3	1017446	7-21	101773307	7-25
101692514	1-3	1017447	7-23	101773308	7-25
		1017448	7-5, 7-17	101773309	7-25
		101744901	7-25	101773310	7-25
		101744902	7-25	101773311	7-25
		1017450	7-25	1017743	4-15, 12-19

# INDEX

1017799	12-3	101819701	15-3, 15-9	101833101	7-27
1017830	12-19	101820201	8-9	101833201	7-27
1017853	6-31, 12-19, 12-45	101821501	8-13, 8-15, 8-17	101833301	7-27
101791101	4-3, 4-5	101822001	4-13	101833401	10-5
1017944	13-3	101822601	12-19	101833601	11-3
1017946	13-3	101823101	16-5	101833701	6-37, 6-39
1017947	13-3	101823201	4-3	101833902	10-3
1017948	13-3	101823301	4-3	101833904	10-3
1017949	13-3	101823302	4-3	101834001	10-5
1017950	13-3	101823801	4-3	101834003	10-5
1017951	13-3	101823901	4-3	101834502	6-13, 6-33, 12-13, 12-47
1017953	13-3	101824001	4-3	101834601	7-27
101795701	12-9, 12-11, 12-15, 12-23, 12-25, 12-29, 12-31, 12-35, 12-39, 12-43, 12-53	101824002	4-3	101834801	11-3
1017958	13-3	101824401	8-3	101835601	1-9, 1-11, 1-13, 1-17, 12-51
1017961	13-3	101825101	3-3, 3-7, 3-9	101836201	10-5
101796201	4-13, 4-15	101825102	3-3, 3-9	101836202	10-5
101796501	12-15, 12-35	101825701	8-17	101837001	1-23
101796801	12-15, 12-35	101826201	12-13, 12-47	101837101	8-13, 8-15, 8-17
1017976	1-13, 1-17	101826301	6-13, 6-33	101837301	6-5, 6-7, 6-9, 6-17, 6-19, 6-23, 6-27, 6-39
101797701	12-15, 12-35, 12-53	101826401	6-13, 6-33	101838201	15-5, 15-11
101797702	12-15, 12-35, 12-53	101827101	7-27	101838301	15-5, 15-11
101797801	12-15, 12-35, 12-53	101827801	12-9, 12-11, 12-17	101838401	15-5, 15-7, 15-11
101801001	1-11, 12-15, 12-35, 15-9, 15-11	101827802	12-33, 12-51	101838501	15-5
101802101	12-15, 12-35	101828101	12-23, 12-29	101838601	15-5, 15-7, 15-11
101802201	15-3	101828301	15-3	101838701	15-5, 15-9, 15-11
101802202	15-3	101828501	15-3, 15-5, 15-9, 15-11	101840203	12-17, 12-33, 12-49
101802203	15-3	101828601	12-45, 15-3, 15-9	101841701	15-9
101802301	15-9	101828801	15-3	101841801	15-11
101802401	12-51	101828802	15-3	101841901	15-9, 15-11
101804201	4-15	101828901	15-3, 15-5, 15-7	101850301	8-13
101804301	4-15, 8-13, 8-15, 8-17, 12-19	101828902	15-3, 15-5, 15-7	101851101	6-13, 6-33, 12-47
101805701	8-13	101828903	15-3, 15-5	101855801	6-3
101808401	16-3	101829001	15-9, 15-11	101855901	7-27
101809001	12-19	101829101	12-39, 12-43, 15-9, 15-11	101856102	6-11, 6-29
101809101	16-3	101830601	6-13, 6-33, 12-47	101856201	8-13
101810801	12-51	101830701	6-13, 6-33, 12-13, 12-47	101859301	9-3
101811301	8-17	101831101	15-3	101859401	9-5
101811401	8-13	101831503	15-5	101861901	4-13, 4-15, 12-19
101811501	8-13	101831504	15-5	101862001	4-13, 4-15
101811901	8-13, 8-15, 8-17	101831601	15-11	101865106	12-11, 12-29, 12-31, 12-39, 12-43
101812301	8-13, 8-15, 8-17	101831701	15-5	101865301	4-9
101813001	8-13, 8-15, 8-17	101831702	15-5	101869001	4-11
101813202	16-3	101831801	16-3	101869302	6-37
101814201	12-47	101831901	16-3	101870401	1-3
101814301	15-9	101832001	12-15, 12-35	101870501	5-11, 5-15
101814302	15-11	101832101	7-27	101870601	5-15
101814701	12-47	101832201	8-11	101871001	16-3
101815501	4-3	101832202	8-11	101871901	4-13
101815502	4-3	101832301	8-11	101872701	4-11
101816301	4-3	101832302	8-11	101874601	4-9, 4-11
101816501	4-3	101832401	8-11	101874901	6-37
101816502	4-3	101832402	8-11	101875001	6-37
101817401	4-13, 4-15	101832501	8-11	101875101	6-37
101818801	4-13	101832601	7-27	101875201	6-37
		101832701	7-27	101875301	6-37
		101832901	7-27		
		101833001	7-27		

# INDEX

101875401	6-37	101893201	11-5	101909905	12-33
101875501	6-37	101894303	1-9, 1-11	101910401	12-17
101875601	6-37	101894702	1-19	101910501	11-7
101875701	6-37	101894901	12-15, 12-35, 12-51	101911003	12-9
101875802	6-37	101895101	12-19	101911101	12-9, 12-11
101876001	6-37	101895401	14-3	101911601	12-23, 12-25, 12-39
101876202	6-37	101895501	14-3	101911701	12-33, 12-49
101876301	6-37	101895601	14-3	101912401	4-13
101876402	6-37	101895701	14-3	101914401	6-23, 6-27, 6-31, 12-39, 12-43, 12-45, 15-3, 15-5, 15-9, 15-11
101876501	6-37	101895801	14-3	101915201	3-5, 3-11
101876901	5-13, 5-17	101895901	14-3	101915401	7-11
101877001	5-13, 5-17	101896001	14-3	101915501	7-13
101877601	6-37	101896501	6-37	101915601	7-3
101877701	6-37	101896901	8-3	101915701	7-5
101878101	6-37	101897001	14-3	101915801	7-5
101878201	4-7, 4-9	101897201	14-3	101915901	7-23
101878302	5-5	101897401	14-3	101916001	7-25
101879001	6-37	101897601	14-3	101916101	7-15
101879401	5-5	101897901	14-3	101916201	7-17
101879501	5-5	101898001	6-41	101916301	7-17
101879601	5-5	101900801	4-3, 5-19	101916501	10-3
101879701	5-5	101900901	6-13	101916701	6-39, 10-3
101879801	5-5	101901201	12-9, 12-11	101917601	8-13, 8-15, 8-17
101879901	5-5	101901301	12-9, 12-11	101917701	8-13
101880001	5-5	101901401	12-9, 12-11	101918301	12-33, 12-49
101880101	5-5	101901501	12-11	101920101	12-5, 12-7, 12-17, 12-19, 12-33, 12-51
101880201	5-5	101902801	12-9, 12-11	101921501	8-13, 8-15, 8-17
101880301	5-5	101902901	12-9, 12-11	101921601	1-15
101881101	7-5, 7-17	101903001	12-9, 12-11	101921901	3-5, 3-11
101881701	8-13, 8-15, 8-17	101903101	5-9, 5-13, 5-17	101922101	14-3
101883002	12-9, 12-11, 12-23, 12-25, 12-29, 12-31, 12-39, 12-43	101903501	8-11	101922201	14-3
101884801	7-27	101903601	14-3	101922301	7-13
101887101	16-3	101903701	14-3	101922302	7-25
101887601	7-3, 7-15, 8-9	101904401	12-23, 12-25, 12-29, 12-31	101922601	6-3, 11-3
101888501	1-9, 1-11	101904402	12-39, 12-43	101922801	1-15
101888502	1-9, 1-11	101904501	12-23, 12-25, 12-29, 12-31	101922801	1-15
101889401	11-5	101904502	12-39, 12-43	101923001	14-3
101889901	11-5	101904601	12-23, 12-25, 12-29, 12-31	101923201	14-3
101890001	11-5	101904602	12-39, 12-43	101923501	14-3
101890101	11-3	101904701	12-23, 12-25, 12-29, 12-31	101923601	14-3
101890201	11-3	101904702	12-39, 12-43	101923701	14-3
101890601	11-3	101905601	8-5, 8-9	101923901	14-3
101890901	11-7	101905901	8-7, 8-9	101924301	12-33, 12-49
101891001	11-7	101906201	14-3	101925701	8-13, 8-15, 8-17
101891301	11-3	101906901	14-3	101926501	5-19, 5-21
101891401	11-7	101908701	12-17, 12-33, 12-49	101926801	8-15
101891501	11-7	101908801	12-23, 12-25, 12-29, 12-31, 12-39, 12-43	101926802	8-17
101891601	11-5	101908901	12-23, 12-25, 12-29, 12-31	101927101	11-3
101891901	11-5	101908902	12-39, 12-43	101927201	11-3
101892001	11-5	101909201	7-5, 7-17	101927501	11-5
101892201	11-5	101909301	7-5, 7-17	101927601	11-5
101892301	11-5	101909401	7-5, 7-17	101927901	11-5
101892401	11-5	101909501	7-5, 7-17	101928001	11-5
101892501	11-5	101909701	7-3	101928101	11-5
101892601	11-5	101909901	12-17	101928301	11-7
101892701	11-7	101909903	12-51	101928701	11-3, 14-3, 16-5

# INDEX

101929401	5-19, 5-21	101969701	6-33, 12-47	102004601	1-27
101929501	8-3	101971001	8-13, 8-17	102004602	1-27
101929801	10-3	101971101	12-5	102004801	6-3
101930801	12-11, 12-29, 12-31, 12-43	101971301	8-13, 8-15, 8-17	102004901	5-23
101931501	3-11	101972003	16-7	102006601	5-21
101931601	12-51	101972005	16-7	102006701	3-7
101932001	12-5	101972006	16-7	102009201	2-3
101932201	6-33, 12-47	101972007	16-7	102009301	2-3
101932801	12-5	101972101	14-3	102009401	2-3
101932901	11-7	101972201	14-3	102009501	2-3
101933101	16-5	101972401	14-3	102009901	2-3
101933701	8-15	101972801	8-13, 8-15, 8-17	102010001	2-3
101935301	5-11, 5-15	101973101	8-5, 8-7	102022101	4-3, 4-5, 4-7
101935501	12-13, 12-47	101973201	8-5	102025401	5-11
101936801	12-7	101973301	8-7	102025901	6-33
101939901	6-37	101973401	8-9	102026001	4-13, 4-15
101942301	12-5, 12-17, 12-33, 12-51	101973501	15-7	102061201	16-7
101946201	1-9, 1-11	101975101	5-21	102065901	1-13, 1-17, 1-23
101946901	12-5	101975201	5-21	102066001	1-13, 1-17, 1-23
101947601	7-23	101976001	14-3	102075801	3-7
101949201	12-5	101976601	15-7	102101001	12-7
101951501	6-3	101979101	6-3, 12-3	102101101	12-7
101953001	4-7, 4-9	101980801	11-5	102156201	3-3
101953101	4-7, 4-9	101980901	11-5	102156401	3-3
101953102	4-7, 4-9	101981001	11-5	102156501	3-3
101953103	4-9	101984801	5-3	102156601	3-11
101953801	7-15	101987402	6-5	102156901	3-3
101953802	7-15	101987501	15-7	102157101	3-3
101953901	7-3	101987701	8-3	102157201	3-7
101954301	1-9, 1-11	101987901	6-15, 6-31, 12-45	102157301	3-11
101955001	5-11, 5-15	101988001	6-15, 6-31, 12-45	102157501	3-3
101955101	6-31, 12-45	101988002	6-15, 6-31, 12-45	102157701	3-3
101955301	8-3	101988101	6-15, 6-31, 12-45	102157801	3-3
101956201	15-7	101988201	6-15, 6-31, 12-45	102157901	3-11
101956202	15-7	101989802	6-23	102158201	3-3
101957101	6-33, 12-47	101989901	12-39, 12-43	102158401	3-3
101957501	12-51	101990102	6-7, 6-9, 6-17	102158501	3-7
101958101	8-13	101990202	6-23	102158601	3-11
101958102	8-15	101990302	6-19	102160101	1-7
101958201	15-7	101990402	6-27	102162101	12-11
101958301	15-7	101990701	6-13, 6-33	102162501	12-29, 12-31, 12-43
101958601	1-9, 1-11, 1-15	101990801	4-7, 4-9	102166901	4-5, 4-9
101960001	3-9	101991101	6-13, 6-33	102169401	16-5
101960101	3-3	101992602	6-11	102184501	3-7
101960201	3-3	101992701	6-29	102184502	3-7
101960501	3-5, 3-11	101997201	16-7	102199001	6-31
101960601	3-3, 3-7, 3-9	101997202	16-7	102199201	6-27
101962601	12-51	101997204	16-7	102199301	6-27
101963301	1-9, 1-11	101997209	16-7	102199401	6-27
101963401	1-9, 1-11, 1-19	101997211	16-7	102224001	1-27
101963901	1-9, 1-11	101997212	16-7	102235201	13-3
101964001	1-9, 1-11	102003201	8-3	102237701	13-3
101964601	3-11	102004001	5-13, 5-17	102241501	16-5
101965201	12-17	102004101	5-3	102242101	10-5
101966801	12-51	102004201	5-21	102243402	16-5
101966901	4-13	102004301	1-7	102248801	16-5
101968801	12-51	102004401	1-7	102249901	16-3



# INDEX

102250201 12-3  
102251501 16-5  
102259401 1-23  
102271601 7-23  
102273101 12-49  
102278001 5-3  
102301401 1-15  
102304701 7-9  
102304801 7-21  
102323101 4-7, 4-9  
102323201 4-7, 4-9  
102330901 16-5  
102336001 8-11  
102336101 8-11  
102355301 6-41  
102430901 7-25  
102431001 7-23

## A

ac cord receptacle 15-7  
accelerator pedal 4-13, 4-15  
accelerator pedal adjustment tool 16-3  
accelerator pedal return spring cup 4-13  
accelerator pivot rod 4-13, 4-15  
accelerator rod 4-13  
access door 1-23  
a-connector (starter/generator) 6-37  
actuator, brake 4-5, 4-11  
adapter, cable (IQDM) 16-5  
adapter, two-way 12-51  
adhesive, guide ring 16-3  
adjuster, hydraulic brake 16-5  
adjusting stud 12-5  
air box 8-13, 8-15, 8-17  
air box top 8-13, 8-15, 8-17  
air duct 8-13, 8-15, 8-17  
air duct repair 8-13  
ammeter (charger) 15-3, 15-5, 15-7, 15-9, 15-11  
anchor body 4-5, 4-11  
a-plate strap 5-7, 5-11, 5-15  
arbor 16-7  
arm  
    brake lever 4-5, 4-11  
    governor lever 11-3  
    pivot 11-3  
    rocker 7-9, 7-21  
    speed switch 12-5  
armature 6-37, 13-3  
armrest 1-9, 1-11  
assembly  
    3-pin plug 12-11, 12-29, 12-31, 12-43  
    3-wire and receptacle 12-5  
    48-volt motor 13-3  
    ac voltage suppressor 15-7  
    armature 6-37  
    axle 11-7, 14-3

axle tube 11-7, 14-3  
battery charger case 15-9, 15-11  
bearing (steering column) 5-3  
bell crank and shaft 6-11, 6-29  
bolt (float chamber) 8-5, 8-7  
carburetor 8-5, 8-7, 8-9  
charger case 15-3, 15-5, 15-7  
connecting rod 7-13, 7-25  
cylinder head 7-9, 7-21  
delta a-plate 5-7, 5-11, 5-15  
delta shock and gear support 5-11, 5-15  
diode 6-29, 12-17, 12-33, 12-49  
float (carburetor) 8-5, 8-7  
float chamber 8-5, 8-7  
forward/reverse shifter 6-3  
forward/reverse switch 12-3  
fuse (charger) 15-3, 15-5, 15-7, 15-9, 15-11  
headlight 6-15, 6-31  
heatsink 15-3, 15-5, 15-7, 15-9, 15-11  
horn 6-31  
hub 5-9, 5-13, 5-17  
idle screw 8-5, 8-7  
lever (brake) 4-3  
limiter 15-7  
pilot air screw 8-5, 8-7  
resistor 12-17, 12-33, 12-49  
rod 7-13, 7-25  
scorecard plate 5-3  
screw (float chamber) 8-5  
spindle 5-9, 5-13, 5-17  
stator shell 13-3  
steering column 5-3  
switch brush 12-5  
taillight 6-35  
transformer 15-3, 15-5, 15-7, 15-9, 15-11  
turn signal lens 6-15, 6-31  
voltage regulator 6-11  
voltage suppressor 6-27, 6-31, 12-39, 12-43, 12-45, 15-3, 15-5, 15-9, 15-11  
voltage suppressor 6-23  
wheel and tire 2-3  
wiper switch 12-5  
wire 6-5, 6-7, 6-9, 6-11, 6-17, 6-19, 6-23, 6-27, 6-29, 6-31, 6-35, 6-39, 12-5, 12-9, 12-15, 12-19, 12-23, 12-25, 12-29, 12-31, 12-35, 12-39, 12-43, 12-53  
wire, sense lead 12-15  
axle 11-7, 14-3  
axle tube 11-7, 14-3

## B

backing plate (brake) 4-3, 4-5, 4-11  
ball bearing, output shaft 6-37  
ball joint 5-11, 5-15, 6-3

ball joint (tie rod) 5-7  
ball joint, inner 5-5  
ball joint, left-hand thread 5-5, 5-7, 5-11, 5-15  
ball stud 6-3, 6-11  
ball stud (accelerator pedal) 4-13  
ball stud (shifter lever) 11-3  
ball, steel (shift fork retainer) 11-5  
ball, steel, pressure relief 7-7, 7-19  
band, rpm limiter mount 7-5, 7-17  
bar  
    bus 12-3  
    drive 12-7  
    stabilizer 5-23  
barb, vent 8-3  
barrel, plastic 1-3, 1-9, 1-11, 1-19  
base, forward/reverse shifter 6-3  
battery  
    8-volt 12-15, 12-35, 12-53  
    8-volt, dry 12-35, 12-53  
battery cap 12-15  
battery charger, onboard, PowerDrive 15-9, 15-11  
battery charger, PowerDrive 15-3, 15-5, 15-7  
battery clamp 6-41  
battery condition indicator 12-47  
battery discharge machine 16-3  
battery hold-down 12-15  
battery terminal protector spray 16-3  
battery thermometer 16-3  
battery warning light 12-13, 12-47  
battery, 12-volt 6-41  
bearing  
    ball 7-11  
    ball (motor) 13-3  
    ball, input shaft 11-5  
    ball, output shaft 6-37  
    bronze 12-5  
    counterbalance 7-25  
    crankshaft 7-23  
    differential 14-3  
    hub 5-13, 5-17  
    idler 10-3  
    inner axle tube 11-7  
    input gear 14-3  
    intermediate gear 14-3  
    lower pinion 5-5  
    needle 11-5  
    outer axle tube 11-7  
    pivot support 4-13, 4-15, 12-19  
    plain 7-13  
    thrust 5-9, 5-13, 5-17  
    upper pinion 5-5  
bearing and oil seal remover 16-3  
bearing driver set 16-3  
bearing puller 16-3

# INDEX

- bearing puller wedge 16-3
- bearing retainer 13-3
- bearing retainer (starter/generator) 6-37
- bearing retainer screw 13-3
- bell crank 12-5
- bell crank and shaft 6-11, 6-29
- bell crank, forward/reverse 6-3
- belt, drive 10-3, 10-5
- belt, starter/generator 6-39, 10-3
- bezel, choke cable 8-15
- bezel, headlight 6-15, 6-31, 12-45
- bezel, receptacle 12-15, 12-35
- block
  - brake pedal mounting 4-7
  - fuse 6-11, 6-29, 12-49
  - terminal 6-31, 12-45, 12-49, 12-51
- board, control 15-9, 15-11
- body, front 1-3, 1-7
- bolt, brake cluster mounting 4-3
- bolt, j- 12-15
- boot
  - dust 5-5, 5-7
  - rubber 8-3
  - steering column 5-3
- bottom, air box 8-13, 8-15, 8-17
- box, electrical component 6-11, 6-29
- brace, trailer hitch 1-27
- bracket
  - accelerator support 8-11
  - adjusting (starter/generator) 6-39
  - brake cable guide 5-11, 5-15
  - brake light switch 6-33, 12-47
  - fuel gauge/hour meter 6-13, 6-33
  - fuel pump mounting 8-3
  - governor cable engine 8-11
  - horn 6-31, 12-45
  - hour meter 12-15
  - mounting 6-15, 6-31, 6-39, 12-45, 15-9, 15-11
  - muffler mounting 9-3, 9-5
  - oil filter 7-7, 7-19
  - oil level switch 7-11, 7-23
  - relay 15-9
  - relay mounting 6-29, 15-5, 15-11
  - retaining 8-17
  - rpm limiter 7-5, 7-17
  - shroud 7-3
  - snubber 7-27
  - stabilizer bar mounting 5-23
  - stake side 1-25
  - support 8-11
  - tailgate 1-19
  - throttle 8-9
  - transmission cable support 6-3, 11-3
- brake actuator 4-5, 4-11
- brake adjusting mechanism 4-3
- brake adjustment tool 16-3
- brake arm lever 4-5, 4-11
- brake cable 4-3, 4-5, 4-7, 4-9, 4-11
- brake cable equalizer 4-7
- brake cable hanger 4-3, 4-5
- brake cluster 4-3, 4-5, 4-11
- brake drum 4-3, 4-5, 4-11
- brake pedal 4-7, 4-9
- brake pedal adjustment tool 16-3
- brake pedal mounting block 4-7, 4-9
- brake pedal pad 4-7
- brake pedal stop bumper 4-7
- brake pedal tension tool 16-3
- brake shoe 4-3, 4-5, 4-11
- brake spring 4-3, 4-5, 4-11
- breaker
  - circuit 15-11
  - circuit, 10-amp 15-5, 15-7
  - circuit, 15-amp 15-3, 15-9
- breather 14-3
- breather, transaxle case 11-3
- bronze bushing 6-3, 6-11
- brush 6-37, 13-3
- brush connector 6-37
- brush guard 1-7
- brush holder 6-37
- brush holder screw 13-3
- brush inspection port cover 6-37
- brush spring 6-37, 12-5, 13-3
- bulb 6-35, 12-53
- bulb, halogen 6-15, 6-31, 12-45
- bumper
  - brake pedal stop 4-7
  - front 1-3, 1-7
  - heavy duty 1-3
  - jounce 5-19
  - motor 13-3
  - rear 1-29
  - return spring 4-13, 4-15
  - rubber 1-15, 1-23, 4-9
  - seat 1-9, 1-11
  - wiper switch 12-5
- bumper guard side trim 1-3
- bus bar 12-3
- bushing
  - bronze 5-9, 5-13, 5-17, 6-3, 6-11, 6-29
  - bronze spindle 5-13, 5-17
  - drive clutch 10-3
  - insulator (motor) 13-3
  - nylon 1-19
  - snap 12-33, 12-49
  - stabilizer bar 5-23
  - steel 1-13, 1-17, 1-23, 5-9, 5-13, 5-17, 5-19, 5-21
  - strain relief 15-3, 15-5, 15-7, 15-9, 15-11
  - tailgate latch 1-19
  - urethane 1-13, 1-17, 1-23, 5-7, 5-9, 5-11, 5-13, 5-15, 5-17, 5-19, 5-21
- button
  - choke 8-13
  - driven clutch 10-5
  - horn 6-33, 12-47
- buzzer, reverse 12-13
- C**
- cable
  - accelerator 8-11
  - accelerator, snap-in 8-11
  - brake 4-3, 4-5, 4-7, 4-9, 4-11
  - choke 8-15, 8-17
  - governor 8-11
  - governor, snap-in 8-11
  - IQDM 16-5
  - transmission 6-3
- cable retainer 6-3
- calibration test module 16-3
- cam (driven clutch) 10-5
- cam installation tool 16-3
- cam, electrical box 6-11, 6-29
- cam, neutral lockout 6-3
- camshaft 7-23
- camshaft, complete 7-11
- cap
  - battery 12-35, 12-53
  - battery (4-port) 12-15
  - corner 1-9, 1-11, 1-19
  - fuel tank 8-3
  - key switch 6-13, 6-33, 12-13, 12-47
  - seat back 1-9, 1-11
  - spark plug 7-5, 7-17
- carburetor 8-5, 8-7, 8-9
- card, safety first 16-5
- care kit, vehicle 16-7
- cargo box 1-19
- carrier, wiper switch arm 12-5
- case
  - charger 15-3, 15-5, 15-7
  - gear carrier 11-7
  - rocker 7-9, 7-21
  - wiper switch 12-5
- charger case 15-3, 15-5, 15-7
- charger, onboard battery, PowerDrive 15-9, 15-11
- charger, PowerDrive battery 15-3, 15-5, 15-7
- choke button 8-13
- circlip, type-e 7-9, 7-21
- circuit breaker 15-11
- circuit breaker, 10-amp 15-5, 15-7
- circuit breaker, 15-amp 15-3, 15-9
- clamp
  - battery 6-41
  - brake cable 5-11, 5-15
  - cable retaining 8-11

# INDEX

forward/reverse shifter 6-3  
hose 8-3, 8-9, 8-13, 8-15, 8-17  
muffler 9-3, 9-5  
plastic 8-3  
wire 7-5, 7-11, 7-17, 7-23, 12-33, 12-49  
clamp screw 13-3  
clevis, upper delta 5-9, 5-13, 5-17  
clip 5-3  
clip, angle 1-21  
cluster, brake 4-3, 4-5, 4-11  
clutch alignment tool 16-3  
clutch tool kit 16-3  
coil, field 6-37  
coil, ignition 7-5, 7-17  
collar (axle shaft) 11-7  
collet 7-9, 7-21  
column, steering 5-3  
communication display module 16-3  
compartment door 1-21  
component mounting plate 12-17  
compression gauge 16-3  
compressor, piston ring 16-5  
compressor, valve spring 16-7  
computer, onboard 12-17, 12-33  
conduit, electrical 12-19  
connecting rod 7-13, 7-25  
connector, 3-pin 12-17, 12-19, 12-33, 12-51  
connector, cord (oil level sensor) 7-23  
connector, oil level sensor 7-11  
continuity tester 16-5  
control board 15-9, 15-11  
controller, 48-volt (300-amp) 12-17, 12-33, 12-49  
cord receptacle, ac 15-7  
cord, dc 12-39, 12-43  
cordset, ac (charger) 15-3, 15-5, 15-7, 15-9, 15-11  
cordset, dc (charger) 15-3, 15-5, 15-7, 15-9, 15-11  
cover  
accelerator 4-15, 12-19  
brush inspection port 6-37  
component 12-51  
crankcase 7-11, 7-23  
dust 4-3, 4-5, 4-11, 5-9, 5-13, 5-17  
electrical component box 6-11, 6-29  
fuse block 12-49  
gear case 11-7  
pump 7-7, 7-19  
screw head 1-5  
steering column 5-3  
vinyl seat back 1-9, 1-11  
vinyl seat bottom 1-9, 1-11  
wiper switch 12-5  
crank, bell 12-5  
crankcase 7-13, 7-25

crankshaft, fe290 7-13  
crankshaft, fe350 7-25  
cup, accelerator pedal return spring 4-13  
cup, spring 4-15  
current limiter 15-7  
cutter, valve seat 16-7  
cylinder head 7-9  
cylinder head, fe350 7-21

## D

damper, rpm limiter 7-5, 7-17  
panel, center dash 1-5, 1-7  
dash component 1-5, 1-7  
dc cord 12-39, 12-43  
decal  
battery danger 3-5, 3-11  
bed bolt 3-11  
bed latch warning 3-3, 3-7  
bed load warning 1-19, 3-3, 3-7, 3-11  
Carryall 1 3-3  
Carryall 2 3-3  
Carryall 2 Plus 3-3  
Carryall 2 XRT 3-7  
Carryall 6 3-11  
Club Car tailgate 1-19  
component cover 3-11  
crush area 3-3, 3-7, 3-9  
driver/passenger warning 3-3, 3-7, 3-9  
frame ground and governor warning 3-5, 3-11  
gasoline warning 3-5, 3-11  
Ingersoll-Rand 3-5, 3-11  
key switch 3-3, 3-7, 3-9  
no ground 3-11  
operating instructions 3-3, 3-7, 3-9  
potentiometer 3-5  
rotating parts 1-27  
rotating parts and hot manifold 3-5, 3-11  
trailer hitch 1-27, 3-5  
Turf 1 3-3  
Turf 2 3-3  
Turf 2 XRT 3-7  
Turf 6 3-11  
vehicle loading 3-3, 3-7, 3-9  
wiper switch warning 12-5  
young driver warning 3-7  
delta a-plate 5-7  
delta shock and gear support 5-7  
delta sleeve 5-7  
differential bearing 14-3  
differential gear 11-7, 14-3  
differential gear case 11-7  
differential housing 14-3  
differential idler gear 11-7, 14-3  
differential pin 11-7, 14-3  
diode 12-17, 12-33, 12-49  
dipstick 7-3, 7-15

discharge machine, battery 16-3  
double lip seal 5-9  
drag link, rack and pinion 5-5  
drive bar 12-7  
drive belt 10-3  
drive clutch 10-3  
drive clutch button 10-3  
drive clutch holder tool 16-3  
drive clutch hub puller 16-3  
drive clutch puller 16-3  
drive clutch weight 10-3  
drive hub 10-3  
driven clutch 10-5  
driven clutch button 10-5  
driven clutch cam puller 16-3  
driven clutch puller plug 16-3  
driver, drive clutch 10-3  
drum, brake 4-3, 4-5, 4-11  
dry moly lubricant 16-5  
dust boot 5-5, 5-7  
dust cover 4-3, 4-5, 4-11, 5-9, 5-13, 5-17

## E

8-volt battery 12-15, 12-35, 12-53  
eccentric adjustment 5-9, 5-13, 5-17  
electrical box cam 6-11  
electrical component box 6-29  
end bell, commutator 6-37  
end bell, output shaft 6-37  
end shield 13-3  
engine, gasoline 7-3, 7-15  
equalizer and pivot limiter 4-9  
equalizer rod 4-7, 4-9  
equalizer spacer 4-9  
equalizer, brake cable 4-7  
exhaust 9-5  
exhaust gasket 9-3  
exhaust system 9-3  
extension, shifter bracket 6-3  
extrusion, front fender 1-7

## F

48-volt motor, 3.10-hp 13-3  
48-volt solenoid 12-17, 12-33, 12-49  
fan, flywheel 7-5, 7-17  
fe290 ohv gasoline engine 7-3  
fe350 ohv gasoline engine 7-15  
extrusion, fender 1-3  
fender extrusion, front 1-7  
fender, rear 1-27, 1-29  
field coil (starter/generator) 6-37  
fill plug 14-3  
filter 7-19  
filter, air 8-13, 8-15, 8-17  
filter, fuel 8-3  
fitting, grease 5-9

# INDEX

fitting, thread-forming grease 5-5, 5-7  
fixed face 10-3, 10-5  
flat bed 1-23  
float (carburetor) 8-5, 8-7  
float chamber 8-5, 8-7  
floor mat 1-7, 1-21  
flywheel 7-5, 7-17  
flywheel puller 16-5  
fork, shift 11-5  
forward/reverse bell crank 6-3  
forward/reverse handle 6-3  
forward/reverse shifter 6-3  
forward/reverse shifter base 6-3  
forward/reverse shifter clamp 6-3  
forward/reverse switch 12-3  
forward/reverse switch handle 12-3  
frame, bed 1-23  
frame, tilt bed 1-13, 1-17  
front panel, cargo box 1-19  
front spring retainer plate 5-9  
f-terminal insulator 6-37  
fuel gauge 6-13, 6-33  
fuel tank 8-3  
fuel tank strap 8-3  
fuel tank vent 8-3  
fuse  
    10-amp 6-11, 6-29  
    20-amp 6-7, 6-11, 6-17, 6-29, 12-49  
    3/8-amp 12-15, 12-35  
    48-volt 12-35  
    charger 15-3, 15-5, 15-7, 15-9, 15-11  
fuse and receptacle 12-35  
fuse block 6-11, 6-29, 12-49

## G

gasket  
    carburetor mounting 8-9  
    crankcase cover 7-11, 7-23  
    drain plug 7-7, 7-19, 11-3  
    exhaust 9-3, 9-5  
    float chamber 8-5, 8-7  
    head 7-9, 7-21  
    heat transfer 12-51  
    insulator 8-9  
    light socket 6-35, 12-53  
    liquid 14-3, 16-5  
    liquid (transaxle case) 11-3  
    oil pump 7-7, 7-19  
    plug 14-3  
    rocker case 7-9, 7-21  
gasket kit 7-9, 7-21  
gauge, compression 16-3  
gauge, fuel 6-13, 6-33  
gear  
    cluster idler 11-5  
    differential 11-7, 14-3  
    differential idler 11-7, 14-3

    helical 7-13, 7-25  
    input 11-5  
    intermediate 14-3  
    output 11-7, 14-3  
    spur 7-13, 7-25  
    spur (transaxle) 11-5  
gear case 11-3, 14-3  
gear yoke 16-5  
governor 11-5  
governor lever arm 11-3  
governor shaft installation tool 16-5  
grease fitting 5-5, 5-7, 5-9  
grip, hand 1-19  
grip, pencil 5-3  
grommet 7-5, 7-17, 8-17  
    5/8 12-51  
    insulation 8-3  
    split 12-5  
guard  
    brush 1-7  
    governor 8-9  
    unitized transaxle 11-7  
guide  
    choke lever 8-13  
    oil (transaxle) 11-5  
    steering rack 5-5  
    valve 7-9, 7-21  
    valve seat cutter 16-7  
guide ring adhesive 16-3

## H

hand grip, tilt latch 1-13, 1-17  
handle, forward/reverse 6-3  
handle, forward/reverse switch 12-3  
hanger, brake cable 4-3, 4-5, 5-19, 5-21  
hardware, terminal (starter/generator) 6-37  
harness, headlight wire 6-15, 6-31, 12-45  
harness, wire 6-23, 6-27, 12-9, 12-11,  
    12-23, 12-25, 12-29, 12-31, 12-39, 12-43  
headlight 12-45  
heatsink 15-3, 15-5, 15-7, 15-9, 15-11  
hinge, access door 1-21  
hinge, compartment door 1-21  
hold-down, battery 12-15, 12-35, 12-53  
holder, radio/beverage 1-5, 1-7  
horn 6-33, 12-45, 12-47  
hose, intake 8-13, 8-15, 8-17  
hour meter 6-13, 6-33, 12-15, 12-35  
housing  
    cord 1-11, 15-9, 15-11  
    differential 14-3  
    fan 7-3, 7-15  
    field coil (starter/generator) 6-37  
    potentiometer 12-19  
    taillight 6-35, 12-53  
hub 5-9  
hub, synchronizer clutch 11-5

hydraulic brake adjuster 16-5  
hydrometer 16-5

## I

idle screw 8-5, 8-7  
indicator, battery condition 12-47  
input gear bearing 14-3  
input shaft 14-3  
insert, synchronizer 11-5  
insert, wood 1-9, 1-11  
insulation 1-13, 1-17, 1-21, 1-23  
insulator  
    battery 1-23  
    bushing (motor) 13-3  
    carburetor 8-9  
    f-terminal 6-37  
intake hose 8-13, 8-15, 8-17  
intermediate gear 14-3  
internal retaining ring pliers 16-5  
IQ display module (IQDM) 16-5

## J

j-bolt 12-15  
jet, main 8-5, 8-7  
jet, pilot 8-5, 8-7  
joint  
    ball 4-7, 6-3  
    ball (tie rod) 5-7  
    compound steering 5-3  
    inner ball 5-5  
    left-hand thread ball 5-5, 5-7, 5-11, 5-15  
    spring-loaded ball 4-13

## K

key  
    square 10-5  
    woodruff 6-37, 7-5, 7-13, 7-17, 7-25,  
        11-3  
key (transmission shaft) 11-5  
key (vehicle) 6-13, 12-13, 12-47  
key switch 6-13, 6-33, 12-13, 12-47  
key switch nut 12-13  
kingpin 5-9, 5-13, 5-17  
kingpin wave washer 5-9  
kit  
    2-pin plug and wedge lock 12-7  
    3-pin plug and wedge lock 12-5, 12-7,  
        12-17, 12-19, 12-33, 12-51  
    3-pin receptacle 12-5  
    3-wire plug 12-39, 12-43  
    accelerator pivot rod 4-13, 4-15  
    brake actuator 4-5, 4-11  
    brake cable 4-3, 4-7  
    brake pedal 4-7  
    brake pedal adjustment tool 16-3  
    differential gear case 11-7  
    fuse and receptacle 12-15

# INDEX

gasket (engine) 7-9, 7-21  
IQ display module (IQDM) 16-5  
park brake pedal 4-7  
pulley nut and screw 6-37  
radio/beverage holder 1-5, 1-7  
rebuild, fuel impulse pump 8-3  
resistor assembly 12-5  
steering column rebuild 5-3  
tune-up 16-7  
vehicle care 16-7  
wire and terminal 12-9  
wire assembly 15-7  
knob, light switch 6-15, 6-33, 12-47

## L

latch  
compression door 1-21  
park brake 4-7, 4-9, 4-13, 4-15  
tailgate 1-19  
weld 1-13, 1-17  
wire (air box) 8-13, 8-15, 8-17  
lens 6-35, 12-53  
lens, headlight 6-15, 6-31, 12-45  
lever  
actuator 4-15  
choke 8-13, 8-15, 8-17  
potentiometer 12-19  
shifter 11-3  
transmission shifter 11-3  
lever (brake) 4-3  
lifter, hydraulic 7-23  
light, battery warning 12-13, 12-47  
light, low oil warning 6-13, 6-33  
limit switch 6-3, 6-11, 12-3, 12-5  
limit switch, sealed 12-3  
limiter  
current 15-7  
rpm 7-5, 7-17  
voltage 6-15, 6-31, 12-51  
line, fuel 8-3  
line, vent 8-3, 8-9  
link, rack and pinion drag 5-5  
link, stabilizer bar 5-23  
liquid gasket 14-3, 16-5  
lower pinion bearing 5-5  
lubricant, dry moly 16-5  
lubricant, moly-teflon 16-5  
lug stud 5-9, 11-7, 14-3

## M

magnetic plug 14-3  
main jet 8-5, 8-7  
mat, floor 1-5, 1-7, 1-21  
MCOR (motor controller output regulator)  
12-7  
mechanism, brake adjusting 4-3  
meter, hour 6-13, 6-33, 12-15, 12-35

meter, volt ohm 16-7  
module, calibration test 16-3  
module, communication display 16-3  
moly-teflon lubricant 16-5  
motor bumper 13-3  
motor, 48-volt 13-3  
mount, bumper 5-19  
mount, compression 5-23  
mounting block, brake pedal 4-7  
movable face 10-3, 10-5  
muffler clamp 9-3

## N

nameplate 1-3, 1-7  
neutral lockout cam 6-3  
nozzle, main 8-5, 8-7  
nut, key switch 6-13, 6-33, 12-13, 12-47  
nut, lug 2-3, 5-13, 5-17

## O

oil filter 7-7, 7-19  
oil level sensor 7-11, 7-23  
oil pump and rotor 7-7  
oil seal  
axle shaft 11-7, 14-3  
crankcase 7-13, 7-25  
governor pivot 11-3  
input shaft 11-5, 14-3  
shifter shaft 11-3  
oil warning light, low 6-13, 6-33  
onboard battery charger, PowerDrive 15-9,  
15-11  
onboard computer 12-17  
o-ring, oil filter mount 7-7  
output gear 14-3

## P

package, brush 6-37, 13-3  
package, hub bearing 5-9  
pad  
accelerator 4-13  
accelerator pedal 4-15  
brake pedal 4-7, 4-9  
park brake 4-7, 4-9  
spring 5-19, 5-21  
paint, touch-up 16-7  
panel, seat support 1-9, 1-11  
park brake latch 4-7, 4-9, 4-13, 4-15  
park brake pedal 4-7, 4-9  
park brake ratchet 4-13  
park brake rod sleeve 4-7  
park brake torsion spring 4-7  
pawl 4-7  
pedal  
accelerator 4-13, 4-15  
brake 4-7, 4-9

park brake 4-7, 4-9  
pencil grip 5-3  
pilot air screw 8-5, 8-7  
pilot jet 8-5, 8-7  
pin  
crankcase cover locating 7-11, 7-23  
differential 11-7, 14-3  
equalizer pivot 4-9  
governor cable clevis 8-11  
head locating 7-9, 7-21  
piston 7-13, 7-25  
roll (shifter lever) 11-3  
pinion, steering 5-5  
pipe, intake 8-9  
piston 7-13, 7-25  
piston ring compressor 16-5  
piston ring pliers 16-5  
pivot arm 11-3  
pivot support bearing 4-13  
plate  
access door 1-21  
backing (brake) 4-3, 4-5, 4-11  
component mounting 12-17  
floor 1-13, 1-17  
flywheel fan 7-5, 7-17  
forward floor 1-23  
front spring retainer 5-9, 5-13, 5-17  
mounting 1-29, 7-27, 12-33, 12-49  
oil filter screen 7-11, 7-23  
oil pump 7-7, 7-19  
rear floor 1-23  
receptacle backing 1-11, 12-15, 12-35,  
15-9, 15-11  
scorecard 5-3  
spring mounting 5-7, 5-11, 5-15  
thrust 11-5, 11-7  
thrust (idler gear) 14-3  
tilt bed latch 1-15  
valve 7-9, 7-21  
pliers  
internal retaining ring 16-5  
piston ring 16-5  
retaining ring 16-5  
plug  
2-pin 12-7  
3-pin 12-5, 12-7, 12-11, 12-17, 12-19,  
12-29, 12-31, 12-33, 12-43,  
12-51  
3-wire 12-39, 12-43  
crankcase 7-23  
drain 7-7, 7-19  
drain (transaxle) 11-3  
drive clutch 10-3  
driven clutch puller 16-3  
fill 14-3  
magnetic 14-3  
oil filter bracket 7-7, 7-19

# INDEX

spark 7-5, 7-17  
plug gasket 14-3  
pole set (starter/generator) 6-37  
positioner, choke 8-13  
potentiometer 12-19  
power relay 15-3, 15-5, 15-7, 15-9, 15-11  
PowerDrive battery charger 15-3, 15-5, 15-7  
PowerDrive onboard battery charger 15-9, 15-11  
press weldment 16-3  
pressure relief steel ball 7-7, 7-19  
prop rod 1-15, 1-23  
protector spray, battery terminal 16-3  
protector, wiper switch resistor 12-5  
puller  
bearing 16-3  
drive clutch 16-3  
drive clutch hub 16-3  
driven clutch cam 16-3  
flywheel 16-5  
seal 16-5  
pulley (starter/generator) 6-37  
pulley nut and screw (starter/generator) 6-37  
pump, fuel impulse 8-3  
pump, oil, and rotor 7-7, 7-19

## R

rack, steering 5-5  
radio/beverage holder 1-5, 1-7  
ratchet, park brake 4-13, 4-15  
reamer, valve guide 16-7  
receptacle  
3-pin 12-5  
3-wire 12-5  
ac cord 15-7  
receptacle (fuse) 12-15  
receptacle backing plate 12-15  
receptacle bezel 12-15  
regulator, motor controller output (MCOR) 12-7  
regulator, voltage 6-29  
relay 6-29  
brake light 6-31, 12-45  
relay, 48-vdc power 15-3, 15-5, 15-7, 15-9  
relay, power 15-11  
remover, bearing and oil seal 16-3  
resistor 12-17, 12-33, 12-49  
retainer  
bearing 13-3  
bearing (starter/generator) 6-37  
cable 6-3  
harness 6-13  
headlight 6-15, 6-31, 12-45  
push on 12-47  
shoe 4-5

spiral ring 10-3  
spring 4-13, 4-15, 5-19, 10-3  
valve spring 7-9, 7-21  
retaining ring pliers 16-5  
retractable cord reel 15-9, 15-11  
return spring bumper 4-13  
reverse buzzer 6-13, 6-31, 6-35, 12-13, 12-45, 12-53  
rigging, brush 13-3  
ring  
c-type stop 5-5  
retaining (steering column) 5-3  
retaining (steering gear box) 5-5  
snap 5-5, 11-3  
spiral back-up 10-3  
synchronizer 11-5  
ring set, piston 7-13, 7-25  
rivet, blind push type 1-3  
rod  
accelerator pivot 4-13, 4-15  
battery hold-down 12-35, 12-53  
counterbalance 7-13, 7-25  
equalizer 4-7, 4-9  
prop 1-15, 1-23  
push 7-9, 7-21  
shift 11-5  
tie 5-7, 5-11, 5-15  
rod and pawl 4-7, 4-9  
rotor, oil pump and 7-7  
rpm limiter 7-5, 7-17  
rpm limiter mount band 7-5, 7-17  
rubber boot 8-3

## S

safety first card 16-5  
scorecard 5-3  
scorecard clip 5-3  
scorecard plate 5-3  
screen, oil filter 7-11, 7-23  
screw  
bearing retainer 13-3  
brush holder 13-3  
clamp 13-3  
eccentric adjustment 5-9, 5-13, 5-17  
idle 8-5, 8-7  
pilot air 8-5, 8-7  
pole piece (starter/generator) 6-37  
stud 7-9  
taillight lens 12-53  
valve clearance adjuster 16-7  
seal  
bed 1-13, 1-17  
crankshaft 7-11, 7-23  
double lip 5-9, 5-13, 5-17  
dust (steering gear box) 5-5  
dust, steering pinion 5-5  
intake 8-13, 8-15, 8-17  
oil, axle shaft 11-7, 14-3  
oil, crankcase 7-13, 7-25  
oil, governor pivot 11-3  
oil, input shaft 11-5, 14-3  
oil, shifter shaft 11-3  
valve 7-9, 7-21  
seal puller 16-5  
seat  
bearing 5-3  
spring 7-9, 7-21  
valve 7-7, 7-19  
seat back 1-9, 1-11  
seat bottom 1-9, 1-11  
sensor, oil level 7-11, 7-23  
set, pole 6-37  
shackle, rear spring 5-19, 5-21  
shaft  
guide counterbalance 7-13, 7-25  
input 11-5, 14-3  
rocker 7-9, 7-21  
shifter 11-3  
steering column 5-3  
shield, end 13-3  
shift fork 11-5  
shift rod 11-5  
shifter lever 11-3  
shifter shaft 11-3  
shifter, forward/reverse 6-3  
shim  
camshaft 7-23  
crankshaft 7-13, 7-25  
latch plate 1-15  
tilt bed pivot 1-13, 1-17, 1-23  
wiper switch 12-5  
shock absorber 5-7  
shock absorber cushion 5-19, 5-21  
shock absorber, front 5-11, 5-15  
shock absorber, rear 5-19, 5-21  
shoe retainer 4-3, 4-5, 4-11  
shoe, brake 4-3, 4-5  
shrink, heat 15-9, 15-11  
shroud  
cylinder head, fe290 7-3  
cylinder head, fe350 7-15  
fan 7-3, 7-15  
lower cylinder 7-15  
upper cylinder 7-15  
side panel, cargo box 1-19  
side trim, bumper guard 1-3  
sleeve  
delta 5-7  
delta inner 5-11, 5-15  
delta outer 5-11, 5-15  
park brake rod 4-7, 4-9  
synchronizer 11-5  
sleeve (transaxle) 11-5  
slide switch, 4-position 15-5, 15-7

# INDEX

- snap ring 5-5
  - snap washer 1-5
  - snubber 7-27
  - solenoid 6-29
    - 12-volt 6-11
    - 48-volt 12-17, 12-33, 12-49
  - spacer
    - battery terminal bolt 6-41
    - compression mount 5-23
    - crankshaft 7-13, 7-25
    - engine/transaxle 7-27
    - equalizer 4-9
    - fixed face shaft 10-3
    - heavy duty bumper 1-3
    - overload bumper 5-19
    - park brake 4-7, 4-9
  - spacer (accelerator pivot rod) 4-13
  - spanner wrench 16-5
  - speed switch arm 12-5
  - spindle 5-9
  - spray, battery terminal protector 16-3
  - spring
    - accelerator pedal retainer 4-13
    - brake 4-5, 4-11
    - brake return 4-9
    - brake shoe 4-3
    - brush 6-37, 13-3
    - compression 1-19, 5-3, 8-13
    - compression relief 7-23
    - drive button 10-3
    - drive clutch 10-3
    - driven clutch 10-5
    - engine valve 7-9, 7-21
    - forward/reverse cam 6-3
    - latch extension 1-13, 1-17
    - oil pressure relief 7-7, 7-19
    - park brake torsion 4-7, 4-9
    - rear leaf 5-19, 5-21
    - retainer 4-15, 10-3
    - return 4-13, 4-15, 8-13, 8-15, 8-17
    - shift fork retainer 11-5
    - synchronizer 11-5
    - tapered compression 5-3
    - tapered leaf 5-9, 5-13, 5-17
    - throttle return 8-9
    - wiper switch brush 12-5
    - yoke 5-5
  - spring mounting plate 5-7
  - stabilizer bar 5-23
  - starter/generator 6-37, 6-39
  - stator shell 13-3
  - steel bushing 1-13, 1-17, 1-23, 5-9, 5-13, 5-17, 5-19, 5-21
  - steering column 5-3
  - steering column bearing press tool 16-5
  - steering column retaining ring tool 16-5
  - steering column shaft 5-3
  - steering gear box 5-5
  - steering wheel 5-3
  - steering wheel puller tool 16-7
  - stem, valve 2-3
  - stiffener, flywheel side 7-27
  - stiffener, pto side 7-27
  - stiffener, seat 1-9, 1-11
  - strain relief bushing 15-7
  - strap, a-plate 5-7, 5-11, 5-15
  - strap, seat bottom 1-9, 1-11
  - stud
    - ball 4-13, 6-3, 6-11, 6-29, 11-3
    - flush head 1-19
    - lug 5-9, 5-13, 5-17, 11-7, 14-3
    - short ball 12-5
    - threaded 7-27
    - wiper switch adjusting 12-5
  - support
    - accelerator pivot rod 4-13, 4-15
    - delta shock and gear 5-7
    - latch plate 1-15
    - stabilizer bar bushing 5-23
  - suppressor, voltage 6-27, 6-31, 12-45
  - switch
    - 4-position slide 15-5, 15-7, 15-11
    - forward/reverse 12-3
    - key 6-13, 6-33, 12-13, 12-47
    - light 6-15, 6-33, 12-47
    - limit 6-3, 6-11, 6-29, 6-33, 12-3, 12-5, 12-19, 12-47
    - limit sealed 12-3
  - switch brush 12-5
  - synchronizer clutch hub 11-5
  - synchronizer ring 11-5
  - system, exhaust 9-3
- ## T
- 12-volt battery 6-41
  - 2-pin plug and wedge lock 12-7
  - 3-pin connector 12-17, 12-19, 12-33, 12-51
  - 3-pin plug 12-11, 12-29, 12-31, 12-43
  - 3-pin plug and wedge lock 12-5, 12-7, 12-17, 12-19, 12-33, 12-51
  - 3-pin receptacle 12-5
  - 3-wire and receptacle 12-5
  - 3-wire plug 12-39, 12-43
  - 3/8-amp fuse 12-15
  - 10-amp fuse 6-11
  - 12-volt solenoid 6-11
  - 20-amp fuse 6-7, 6-11, 6-17, 6-29, 12-49
  - tachometer 16-7
  - tailgate 1-19
  - tailgate angle 1-19
  - taillight 12-53
  - tailskirt 1-27, 1-29
  - tapered compression spring 5-3
  - tapered leaf spring 5-9
  - tappet 7-11
  - terminal block 6-31, 12-45, 12-49, 12-51
  - terminal hardware (starter/generator) 6-37
  - tester, continuity 16-5
  - thermometer, battery 16-3
  - thrust bearing 5-9
  - tie rod 5-7, 5-11, 5-15
  - tie, wire 5-5, 6-15, 6-31, 12-5, 12-13, 12-45, 12-51
  - tilt bed 1-13, 1-17
  - tilt bed hinge 1-13, 1-17, 1-23
  - tire 2-3
  - tire and wheel assembly 2-3
  - tool
    - accelerator pedal adjustment 16-3
    - brake adjustment 16-3
    - brake pedal adjustment 16-3
    - brake pedal tension 16-3
    - cam installation 16-3
    - clutch alignment 16-3
    - drive clutch holder 16-3
    - governor shaft installation 16-5
    - steering column bearing press 16-5
    - steering column retaining ring 16-5
    - steering wheel puller 16-7
    - transaxle axle seal 16-7
    - transaxle pinion seal 16-7
    - transmission 16-7
  - tool kit, clutch 16-3
  - top, air box 8-13, 8-15, 8-17
  - touch-up paint 16-7
  - track, prop rod 1-15
  - trailer hitch 1-27
  - transaxle 14-3
  - transaxle axle seal tool 16-7
  - transaxle pinion seal tool 16-7
  - transaxle, unitized 11-3
  - transformer 15-3, 15-5, 15-7, 15-9, 15-11
  - transmission cable 6-3
  - transmission tool 16-7
  - trim
    - bumper guard side 1-3
    - front body 1-3, 1-7
    - long bed 1-25
    - seat bottom 1-9, 1-11
  - tube
    - crankcase vent 8-9
    - oil filler, fe290 7-3
    - oil filler, fe350 7-15
  - tube (spark plug wire cover) 7-5, 7-17
  - tune-up kit 16-7
  - turn signal lens 12-45
- ## U
- u-bolt 5-19, 5-21
  - unitized transaxle 11-3
  - upper pinion bearing 5-5

# INDEX

urethane bushing 1-13, 1-17, 1-23, 5-7,  
5-9, 5-11, 5-13, 5-15, 5-17, 5-19, 5-21

## V

valve 7-9, 7-21  
choke 8-13, 8-15, 8-17  
exhaust 7-9, 7-21  
fuel pickup tube 8-3  
intake 7-9, 7-21  
valve clearance adjuster screw 16-7  
valve guide reamer 16-7  
valve seat cutter 16-7  
valve seat cutter guide 16-7  
valve seat t-wrench 16-7  
valve spring compressor 16-7  
vehicle care kit 16-7  
volt ohm meter 16-7  
voltage limiter 6-31, 12-51  
voltage regulator 6-11, 6-29  
voltage suppressor 6-27, 6-31, 12-39,  
12-43, 12-45, 15-3, 15-5, 15-9, 15-11  
voltage suppressor, ac 15-7  
voltage supressor 6-23

## W

warning light, low oil 6-33  
washer  
key switch 12-13  
kingpin wave 5-9, 5-13, 5-17  
mounting 10-3, 10-5  
snap 1-5  
spring 11-5  
thrust (transaxle) 11-5  
wave 6-3  
wedge (steering column) 5-3  
wedge, bearing puller 16-3  
weight, counterbalance 7-13, 7-25  
weldment, press 16-3  
wheel 2-3  
wheel and tire assembly 2-3  
wheel rim 2-3  
wheel, steering 5-3  
wiper switch 12-5  
wiper switch arm carrier 12-5  
wiper switch bumper 12-5  
wiper switch case 12-5  
wiper switch resistor protector 12-5  
wiper switch shim 12-5  
wire and terminal 12-11, 12-17, 12-33,  
12-51  
wire assembly 6-5, 6-7, 6-9, 6-11, 6-17,  
6-19, 6-23, 6-27, 6-29, 6-31, 6-35, 6-39,  
12-5, 12-9, 12-15, 12-19, 12-23, 12-25,  
12-29, 12-31, 12-35, 12-39, 12-43,  
12-53, 15-3, 15-5  
wire assembly, sense lead 12-15  
wire harness 6-5, 6-7, 6-9, 6-17, 6-19,  
6-23, 6-27, 12-9, 12-11, 12-23, 12-25

wire harness, lighting 12-39, 12-43  
wire harness, power 12-29, 12-31, 12-39,  
12-43  
wire tie 5-5, 6-15, 6-31, 12-5, 12-13, 12-45,  
12-51  
wire, lead 7-5, 7-17  
woodruff key 6-37, 7-5, 7-13, 7-17, 7-25,  
11-3  
wrench, spanner 16-5

## Y

yoke spring 5-5  
yoke, gear 16-5



## Your Comments Are Appreciated

*Please select your category:*

- |   |   |
|---|---|
| <input type="checkbox"/> Distributor/Dealer | <input type="checkbox"/> Technician                 |
| <input type="checkbox"/> Individual Owner   | <input type="checkbox"/> Golf Course Superintendent |
| <input type="checkbox"/> Other: _____       |   |

*In order to help us better serve you, please rate this publication in the following categories:*

	Poor	Fair	Average	Good	Excellent
1. Ease of Understanding	<input type="checkbox"/>	<input type="checkbox"/>	<input type="checkbox"/>	<input type="checkbox"/>	<input type="checkbox"/>
2. Ease of Finding Information	<input type="checkbox"/>	<input type="checkbox"/>	<input type="checkbox"/>	<input type="checkbox"/>	<input type="checkbox"/>
3. Clarity of Illustrations	<input type="checkbox"/>	<input type="checkbox"/>	<input type="checkbox"/>	<input type="checkbox"/>	<input type="checkbox"/>
4. Index Usability	<input type="checkbox"/>	<input type="checkbox"/>	<input type="checkbox"/>	<input type="checkbox"/>	<input type="checkbox"/>

*Comments/Suggestions:*

---



---



---



---



---



---



---



---



---



---



---



---



---



---



---



---

Please fax a copy of this page to (706) 228-2662.

Thank You!  
Club Car Technical Publications Department











**Transportation and Utility Vehicles**

Club Car Inc.

P.O. Box 204658

Augusta, GA 30917-4658